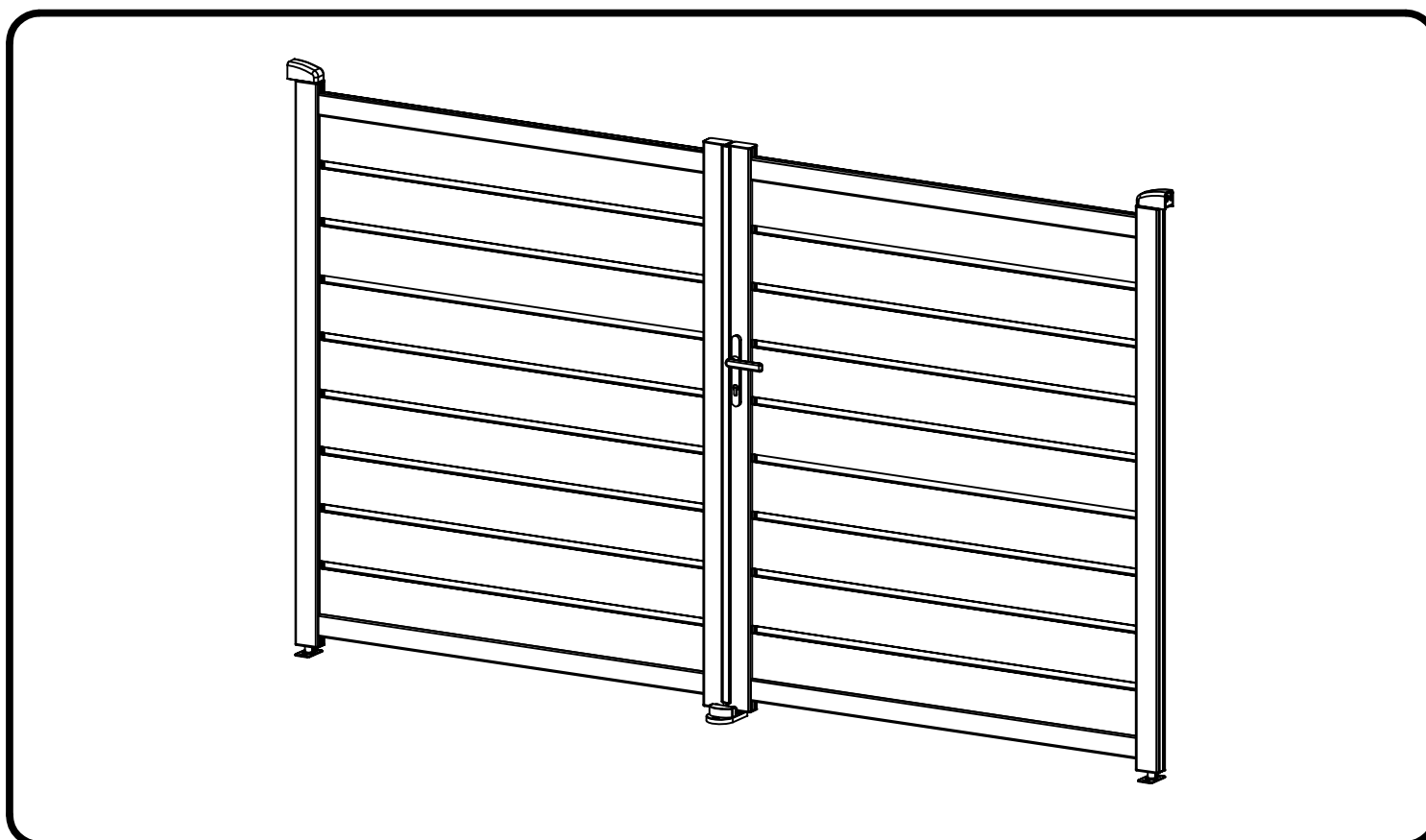


# CASANOVO

## VOGEL 300B180



7-8H



x2

COM-000016

[x1]

COM-000017

[x1]

COM-000018

[x1]

FR

EN

ES

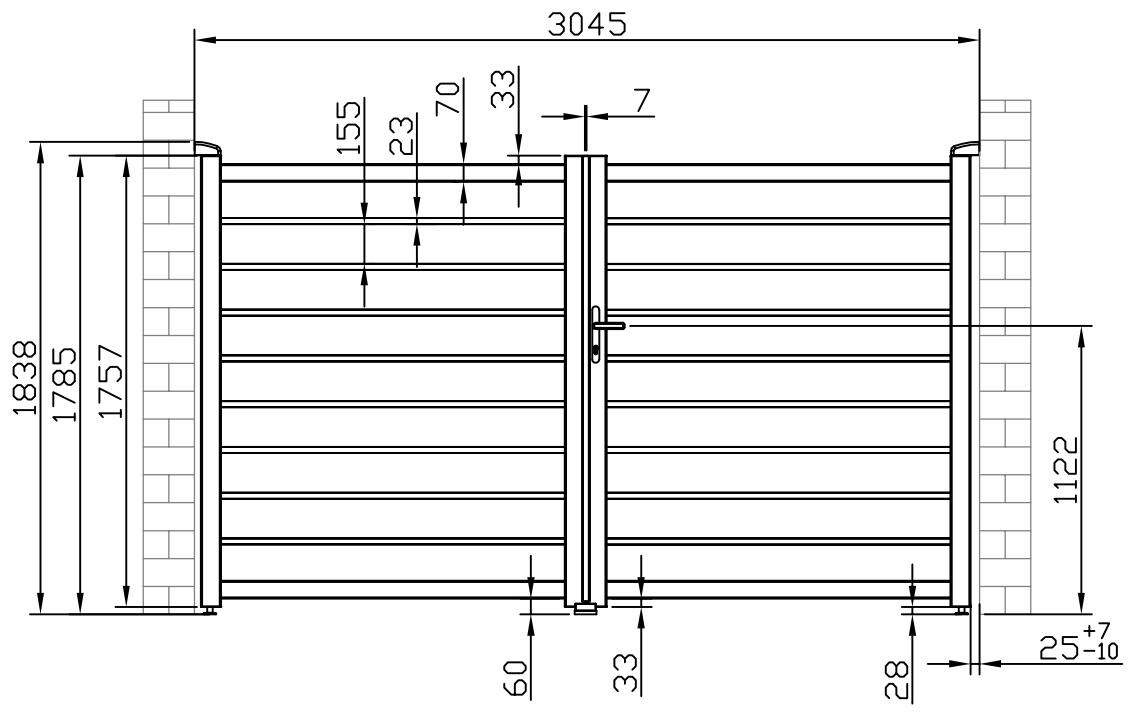
DE

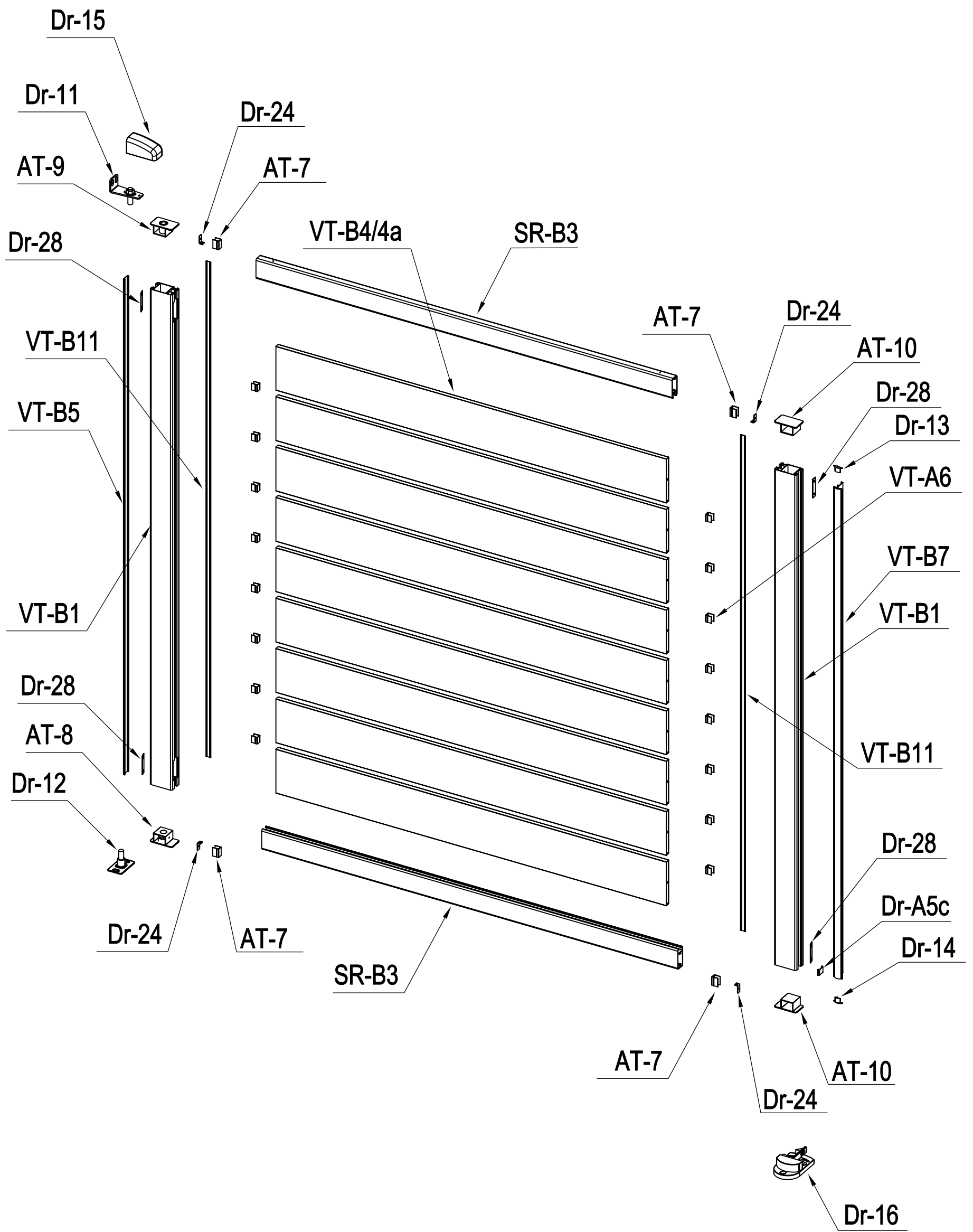
IT

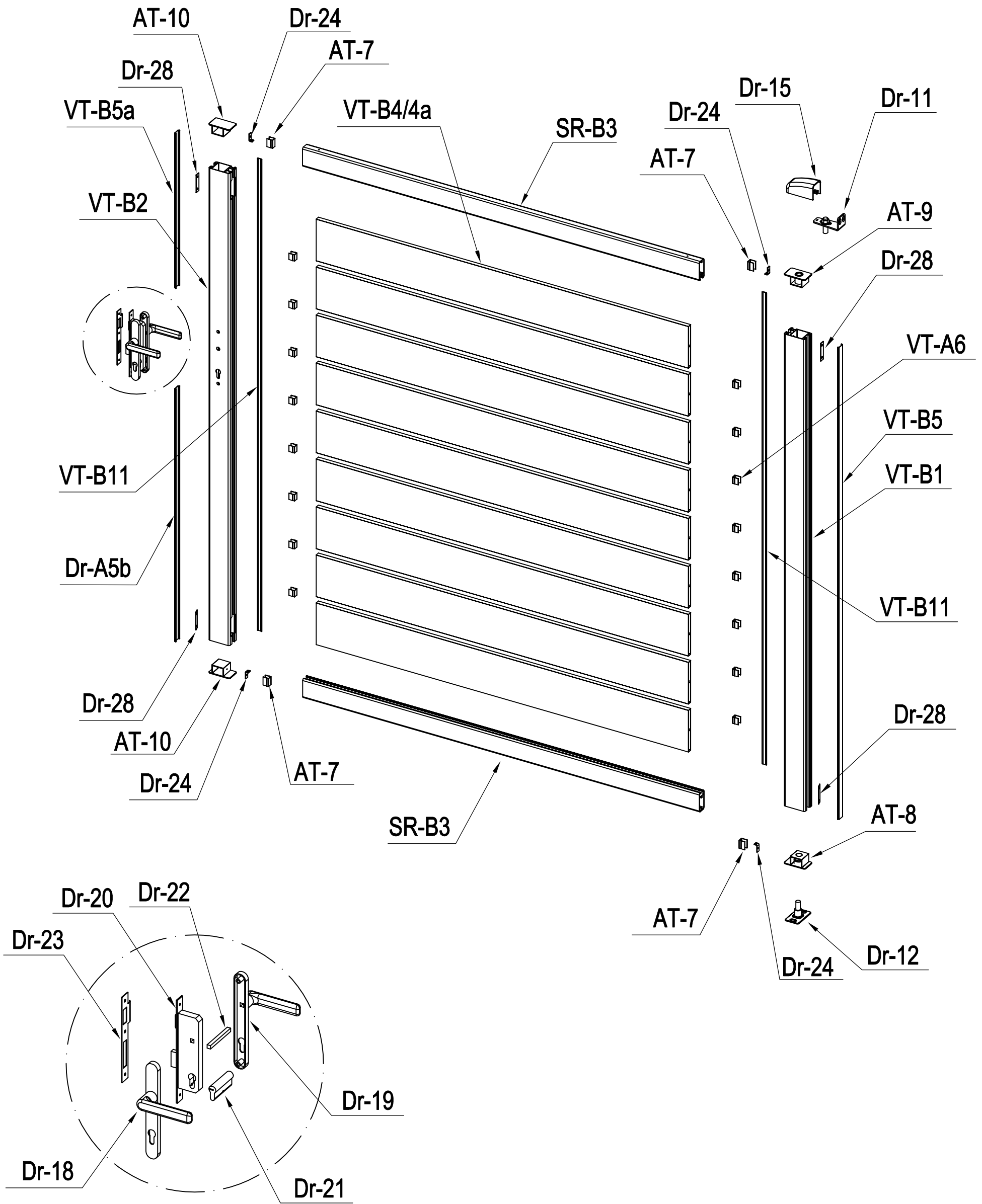
NL

PL

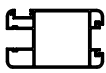
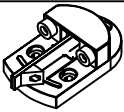
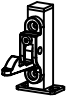
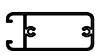

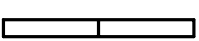
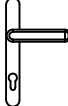

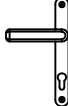
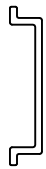




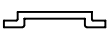
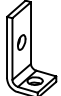
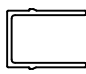




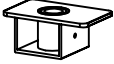

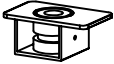



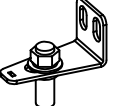







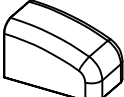




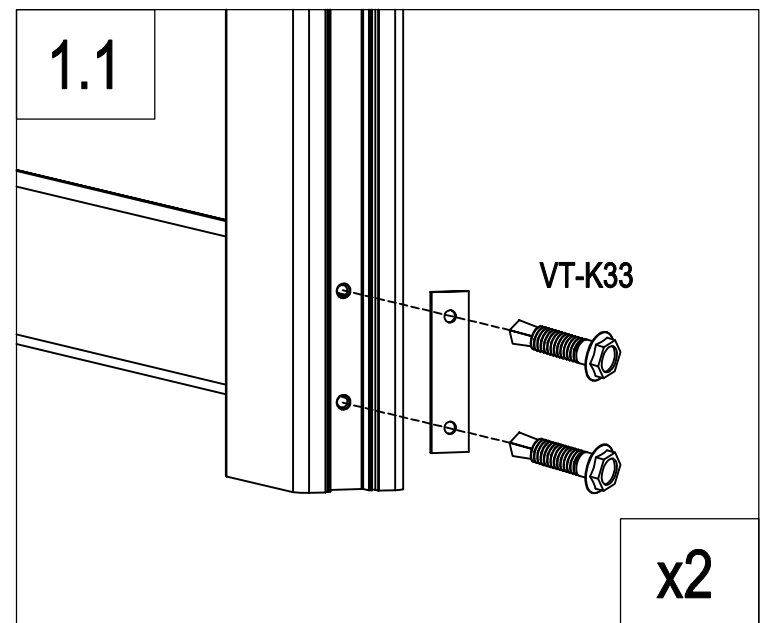
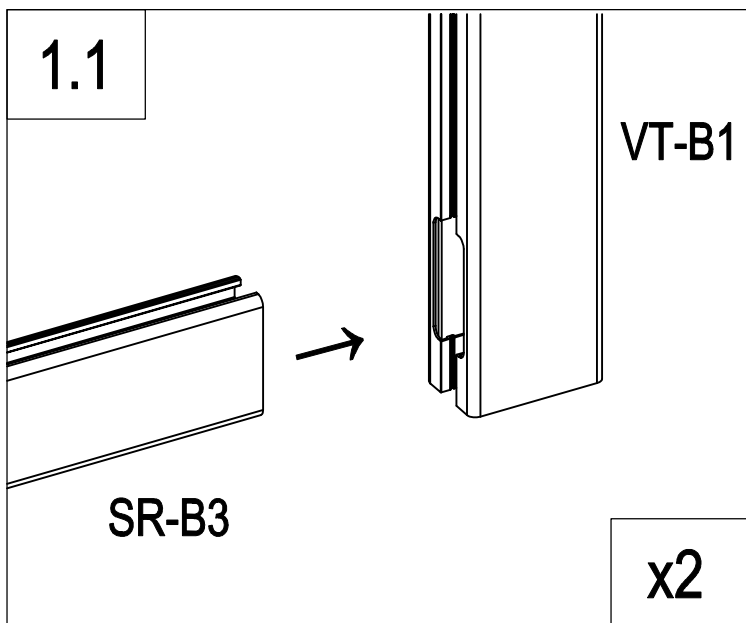
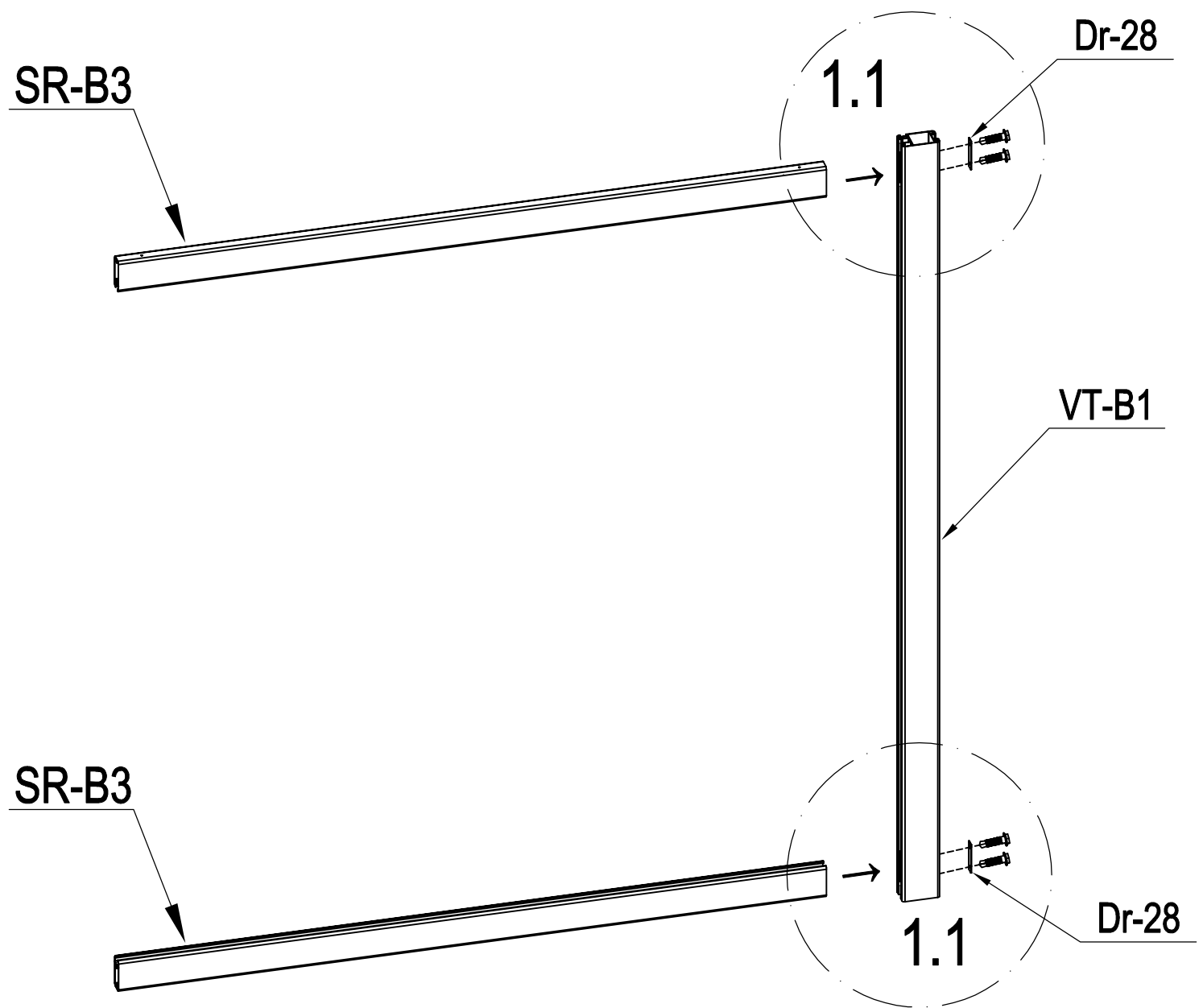




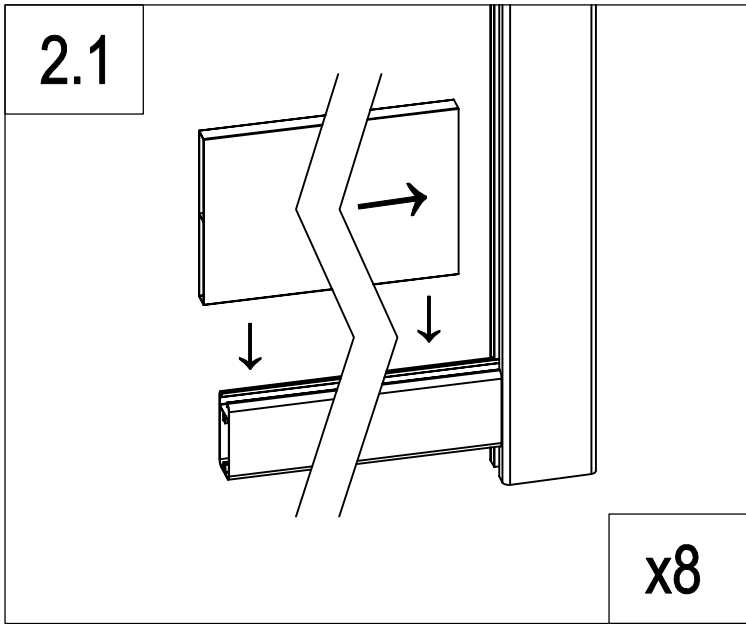
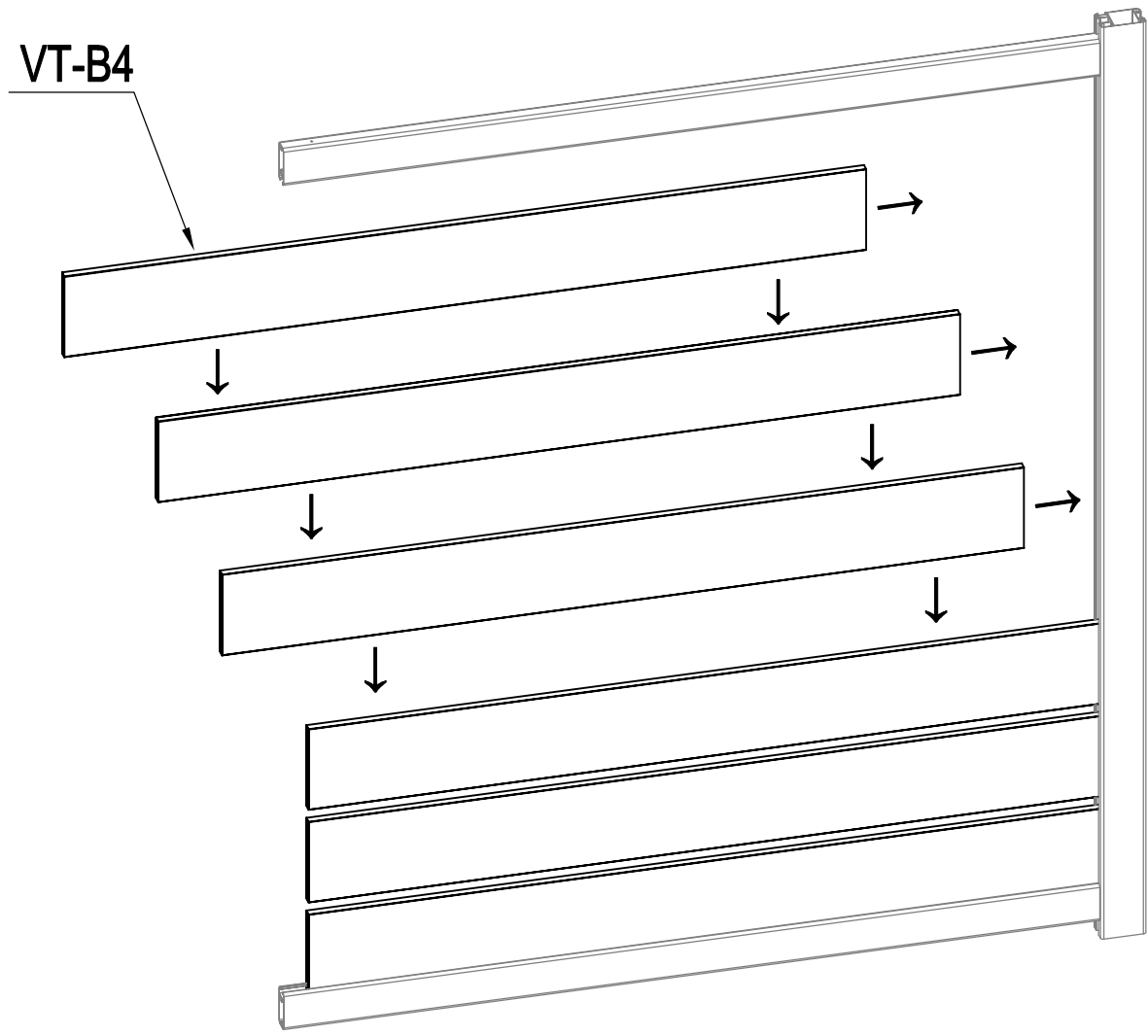


# PART LIST

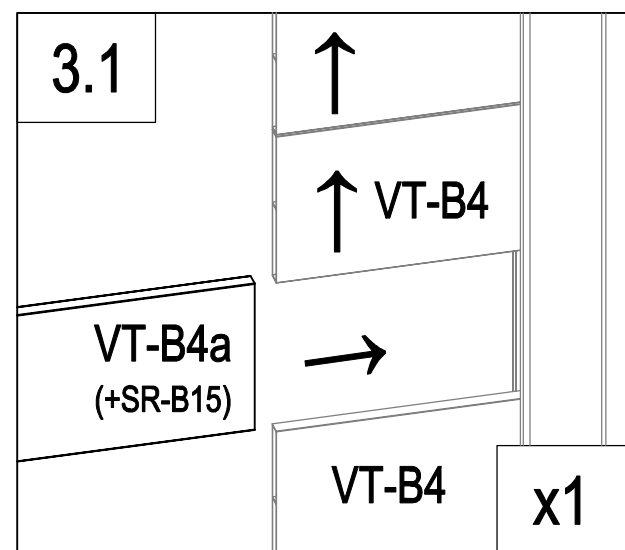
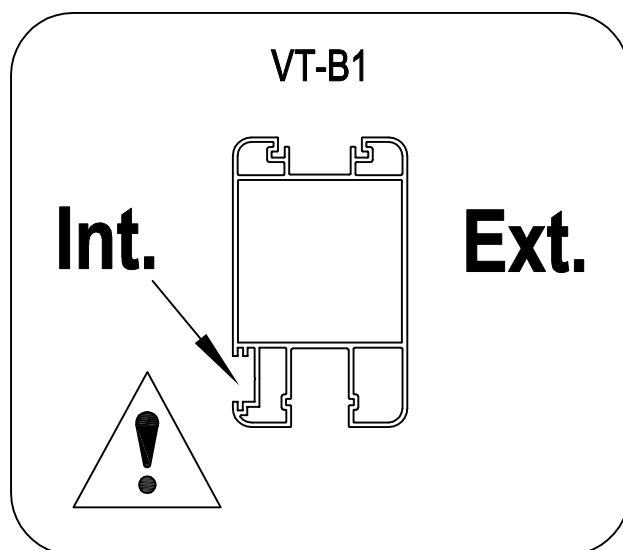
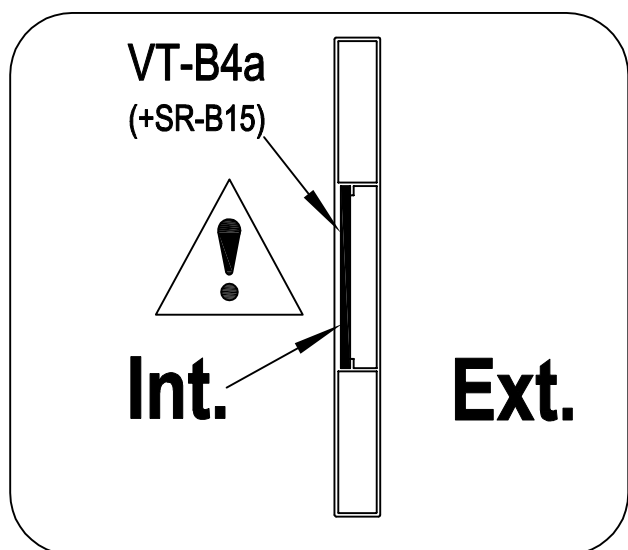
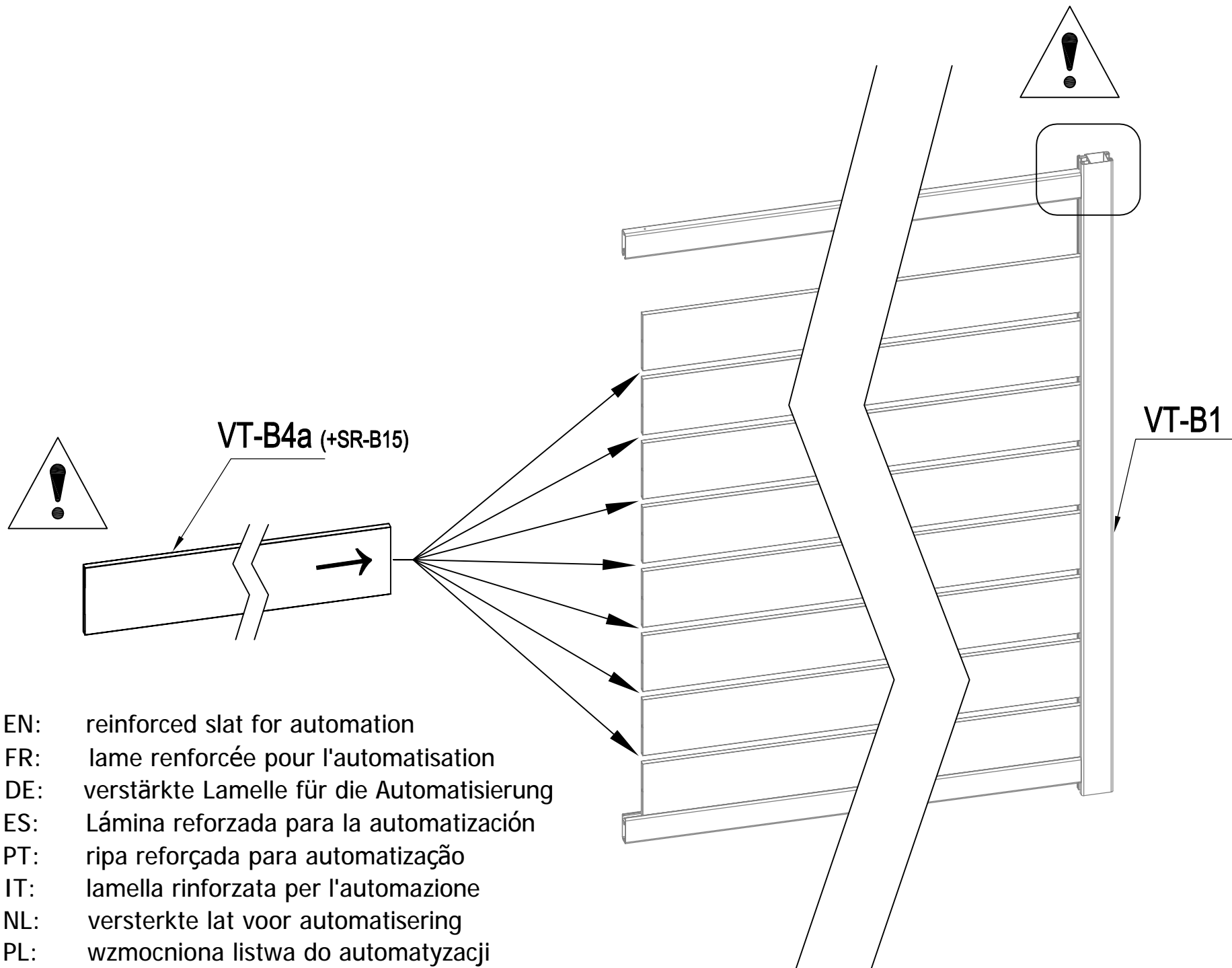
IMAGE	NO.	L.(mm)	QTY	IMAGE	NO.	L.(mm)	QTY
	VT-B1	1751	3		Dr-16		1
	VT-B2	1751	1			Dr-17	
	SR-B3	1471	4			Dr-31	
	VT-B4	1380	16		Dr-18		1
	VT-B4a (+SR-B15)	1380	2		Dr-19		1
	VT-B5	1751	2		Dr-20		1
	VT-B5a	573.5	1		Dr-21		1
	Dr-A5b	937	1		Dr-22		1
	Dr-A5c	19.5	1		Dr-23		1
	VT-B11	1751	4		Dr-24		8
	VT-A6	23	32		Dr-25		1
	AT-7	29.5	8		Dr-25a		2
	VT-B7	1731	1		Dr-26		3
	AT-8		2		Dr-27		2
	AT-9		2		VT-K30		8
	AT-10		4		VT-K31		8
	Dr-11		2		VT-K32		12
	Dr-12		2		VT-K33		16
	Dr-13		1		VT-K34		3
	Dr-14		1		VT-K35		3
	Dr-15		2		VT-K36		72
					Dr-28		8




	VT-B1	1
	SR-B3	2
	Dr-28	2
	VT-K33	4

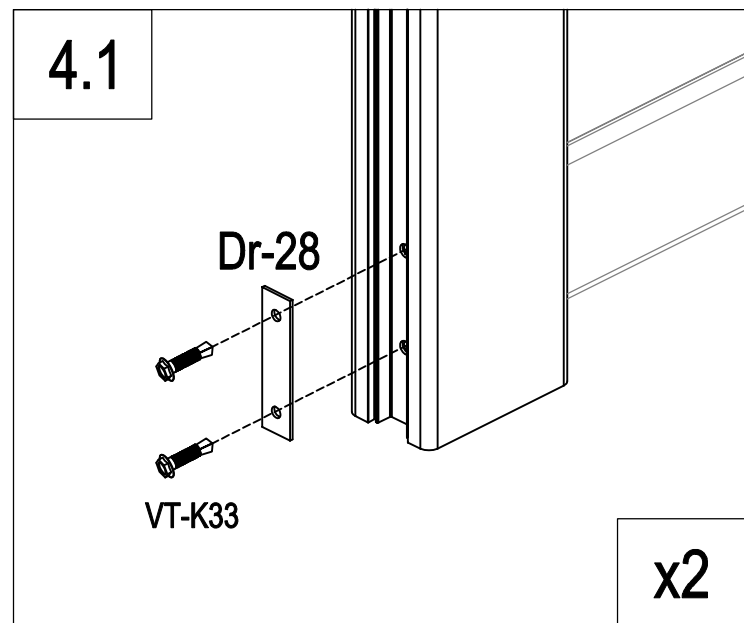
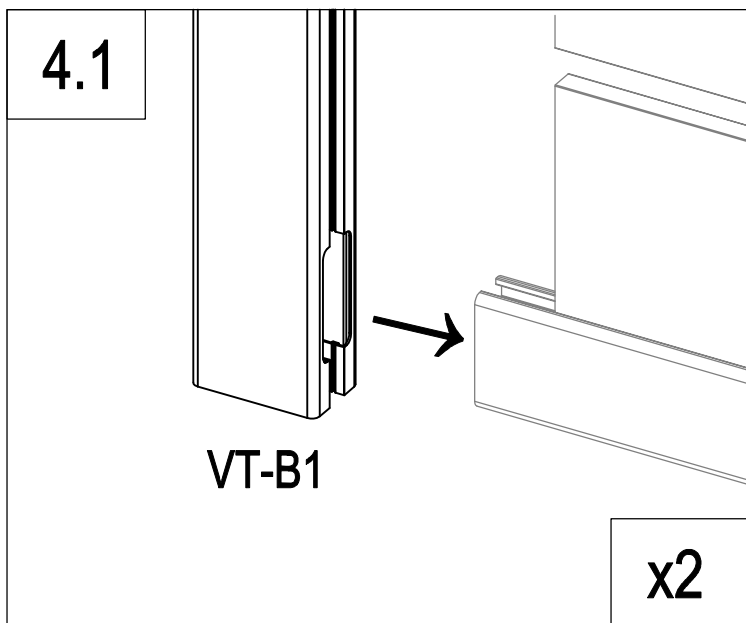
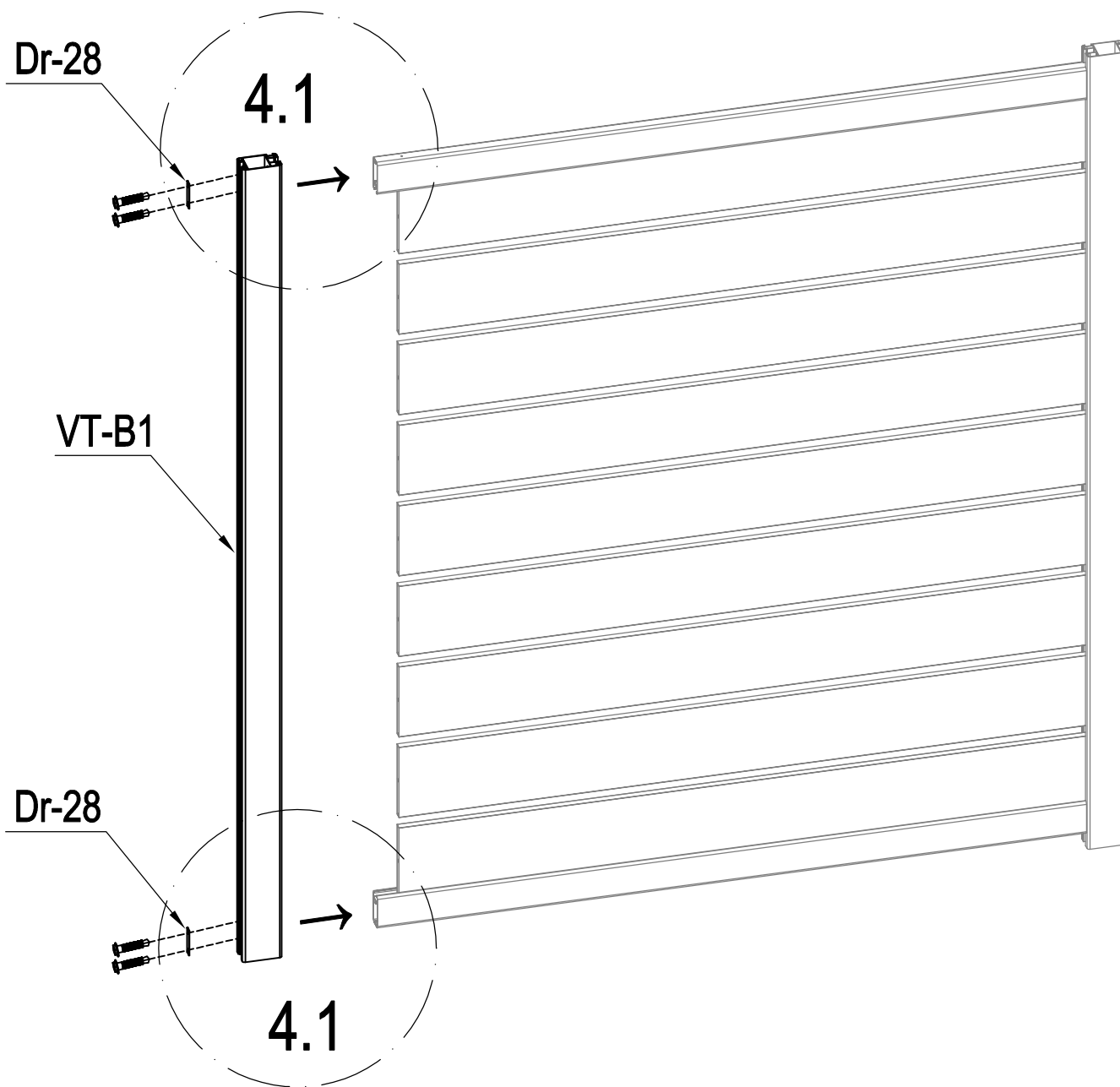


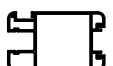


	VT-B4	8
---	-------	---

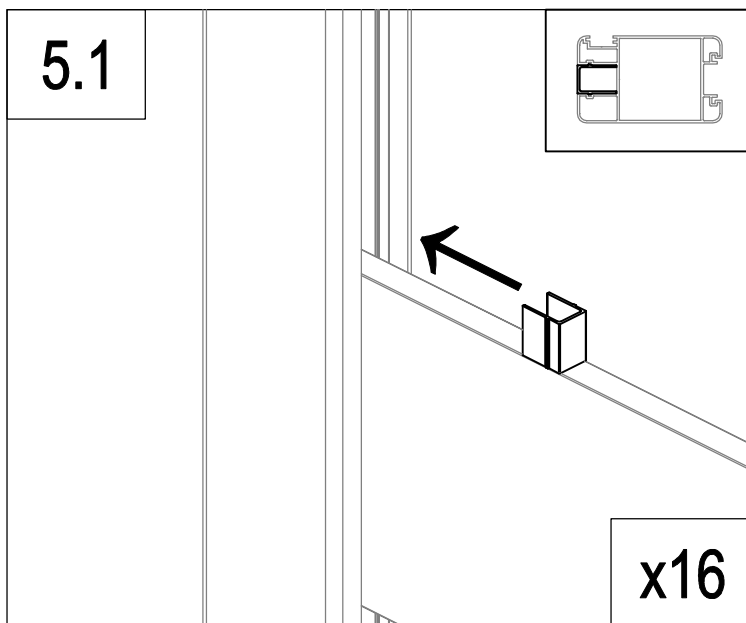
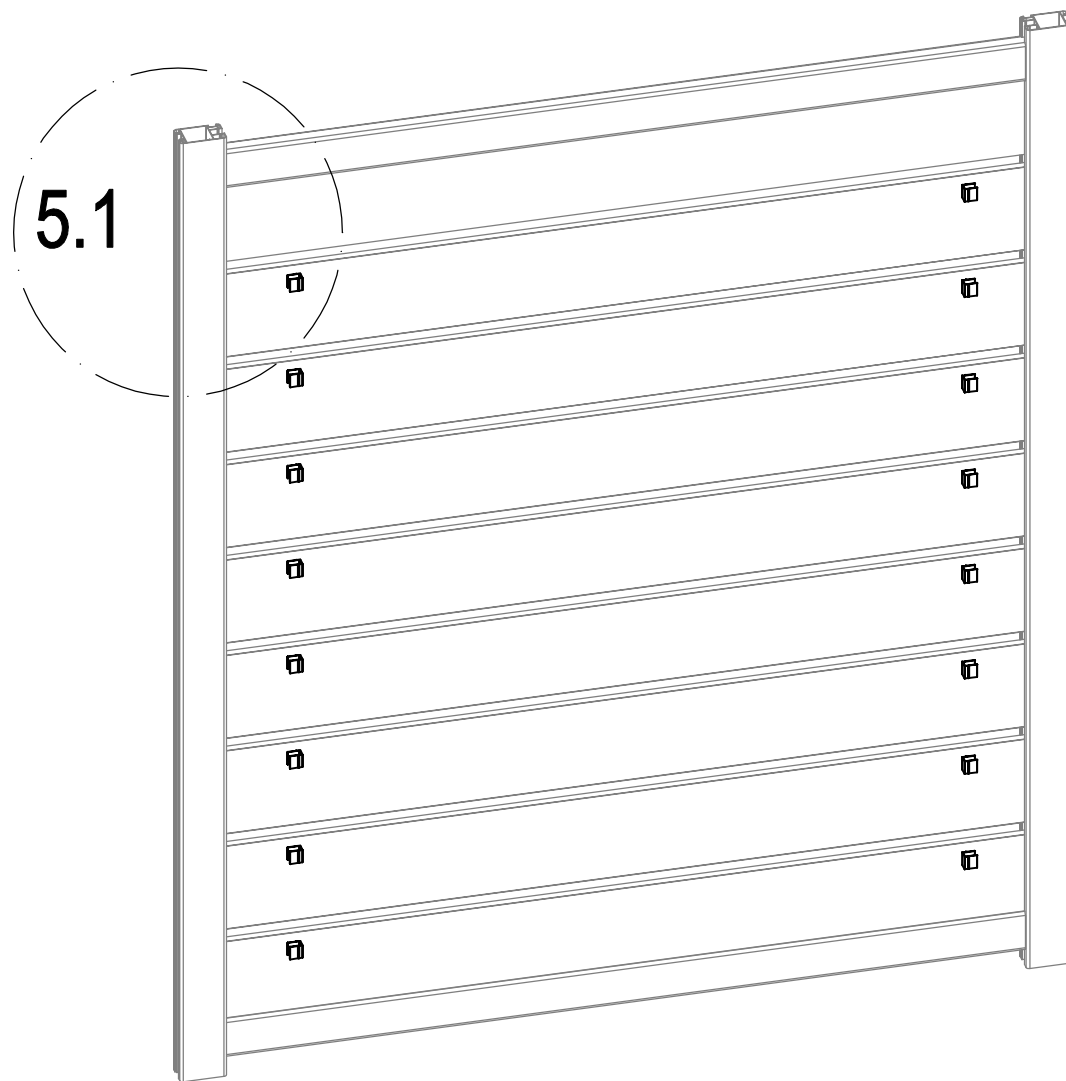


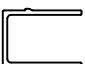
	VT-B4a (+SR-B15)	1
---	------------------	---

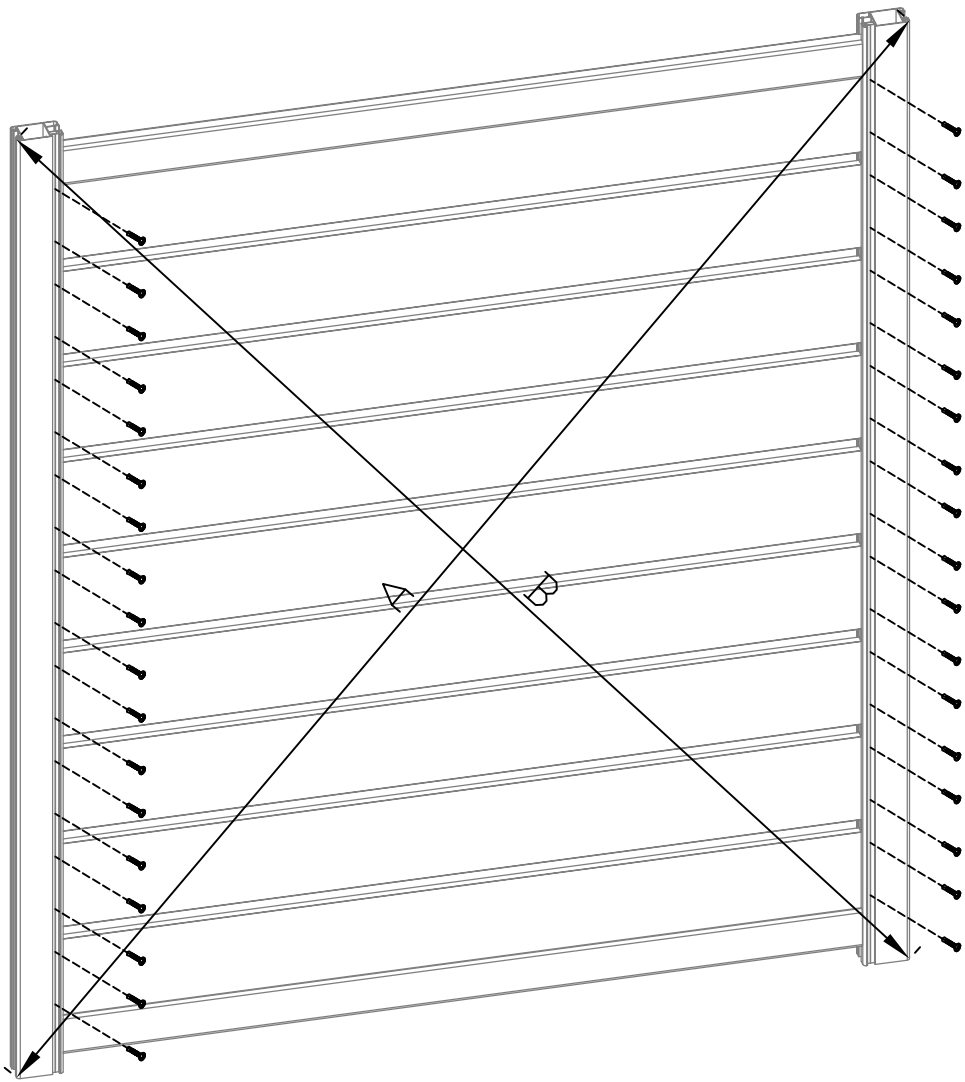
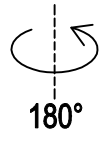




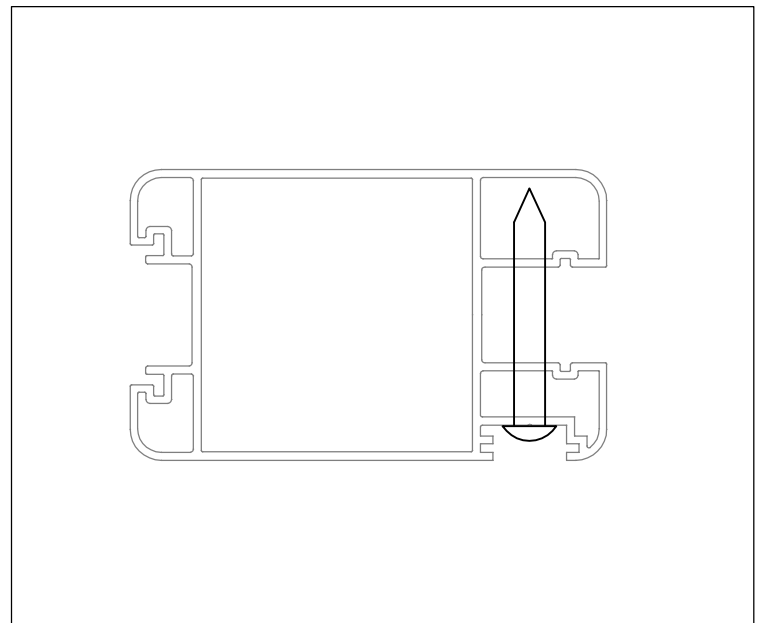
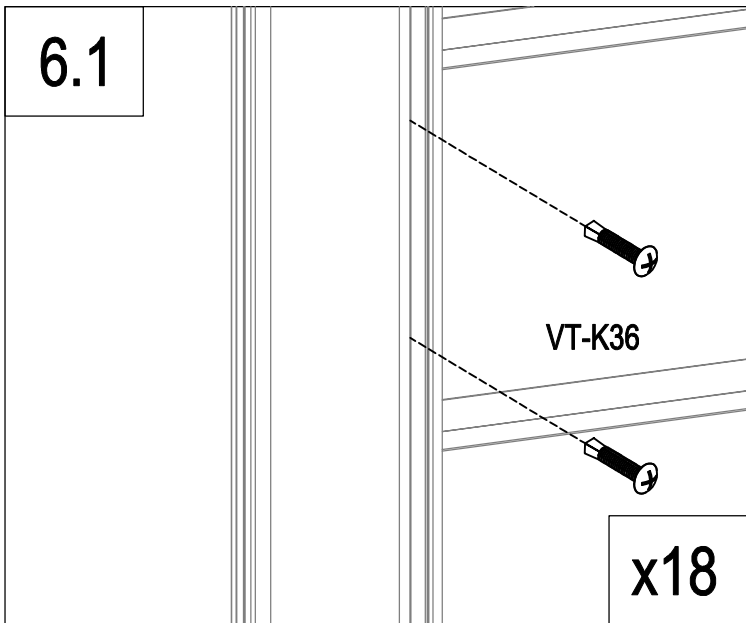
	VT-B1	1
	Dr-28	2
	VT-K33	4



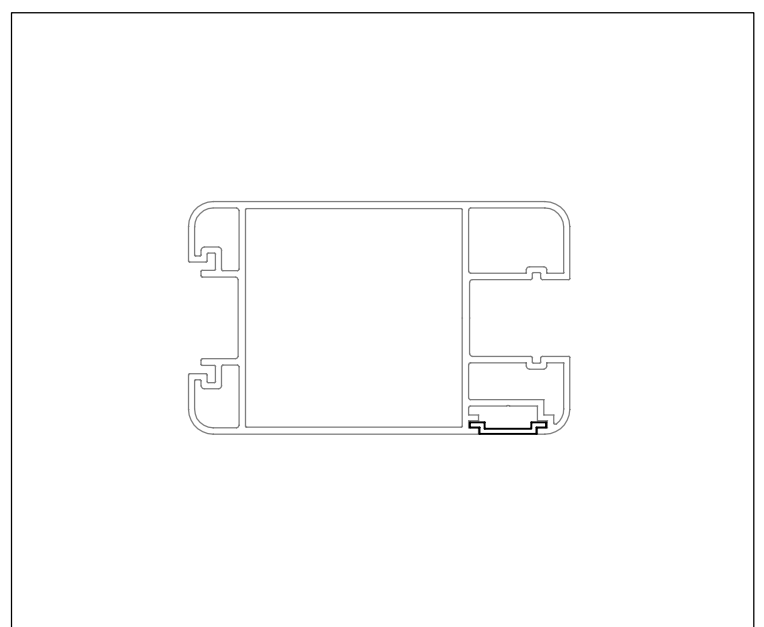
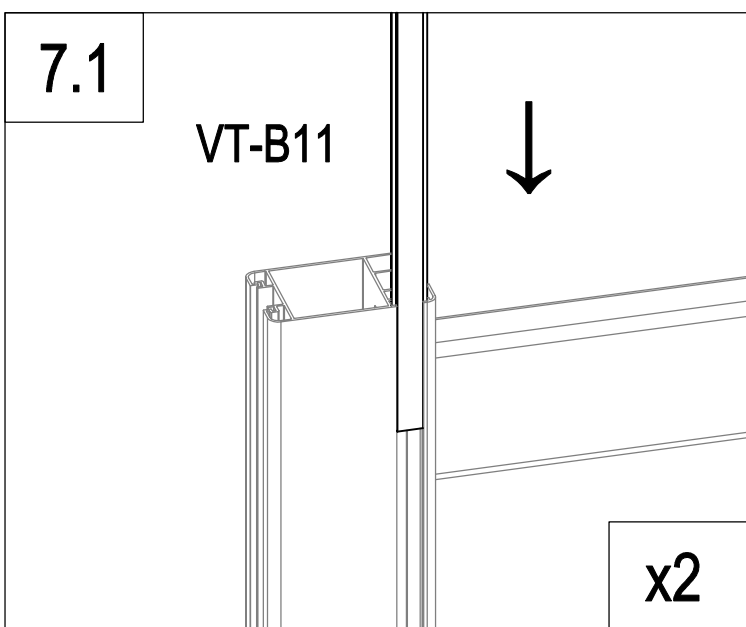
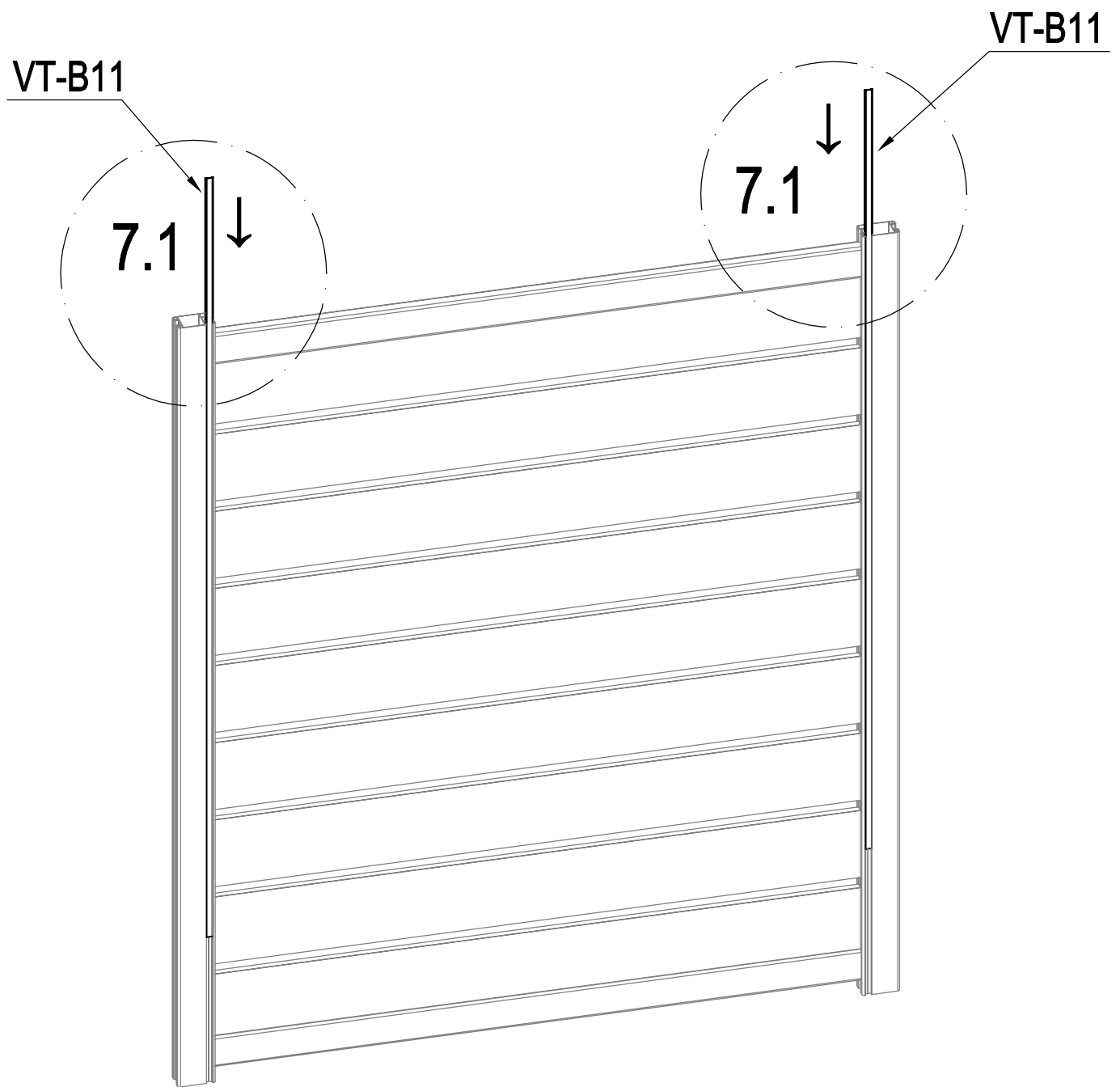
	VT-A6	16
---	-------	----

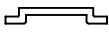


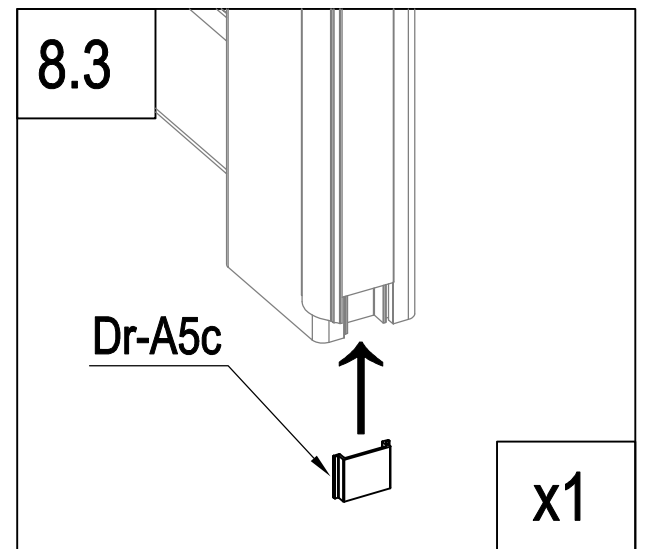
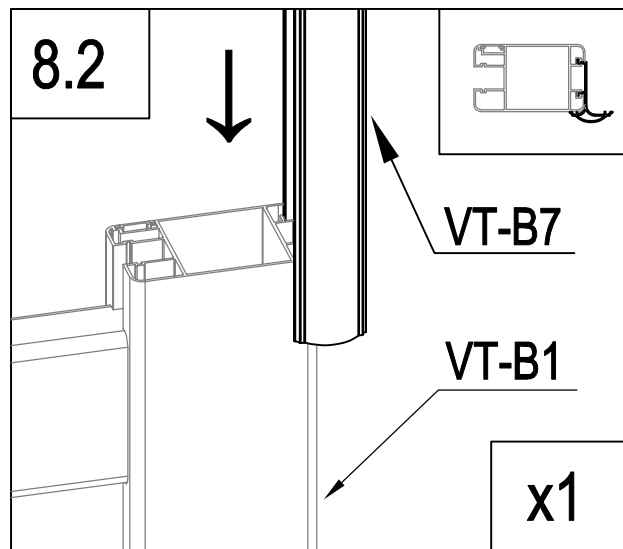
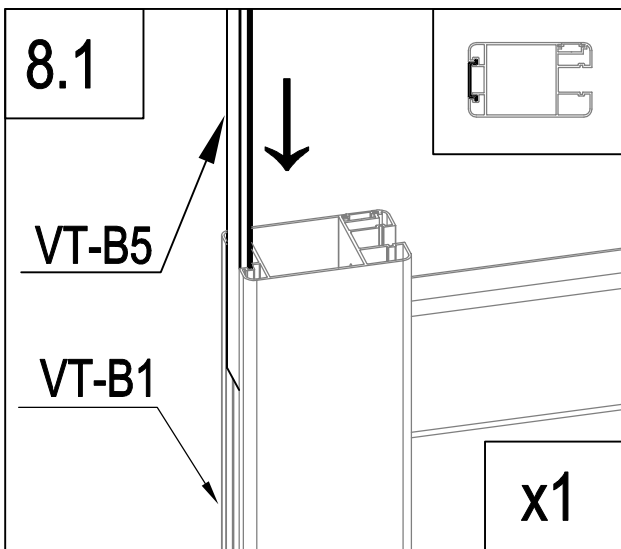
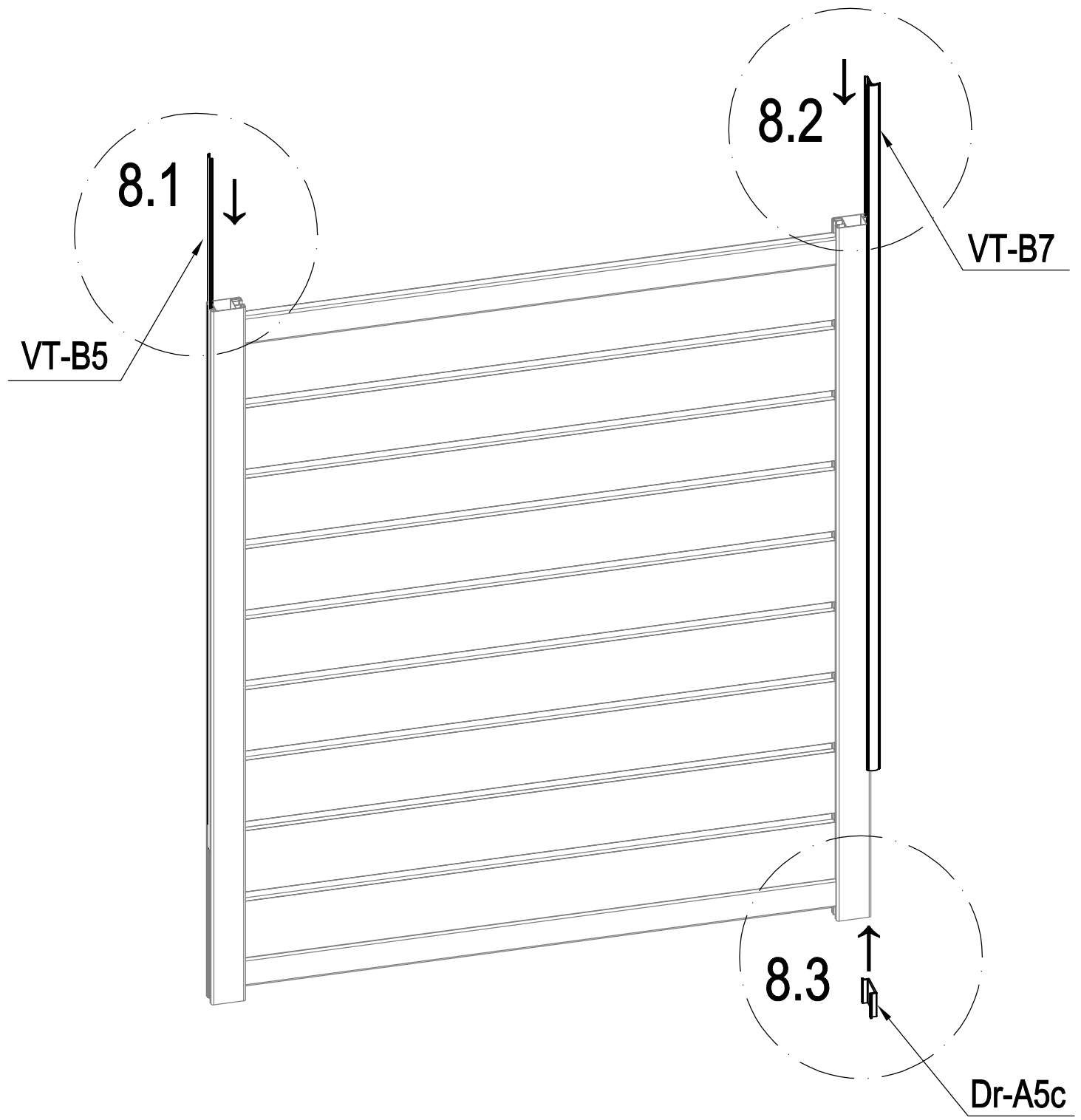
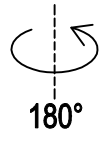
A=B



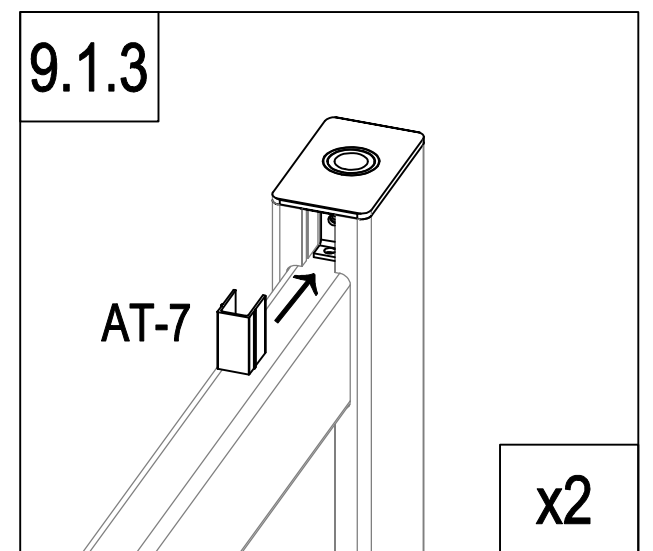
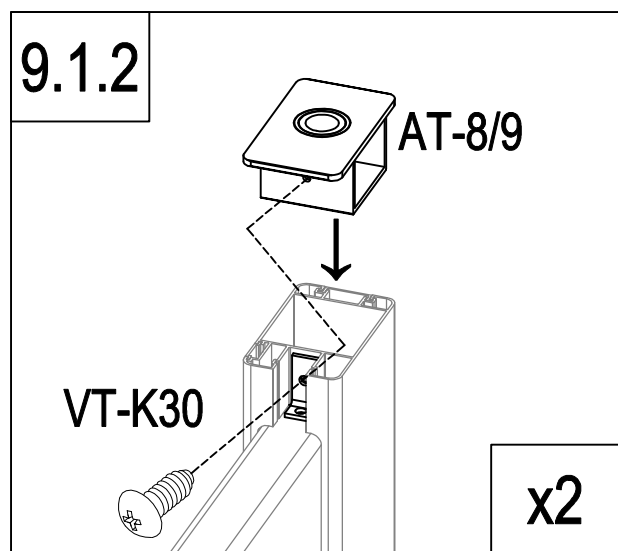
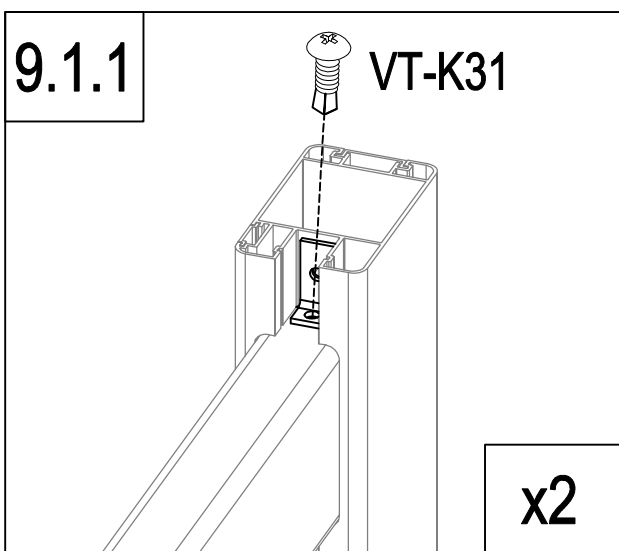
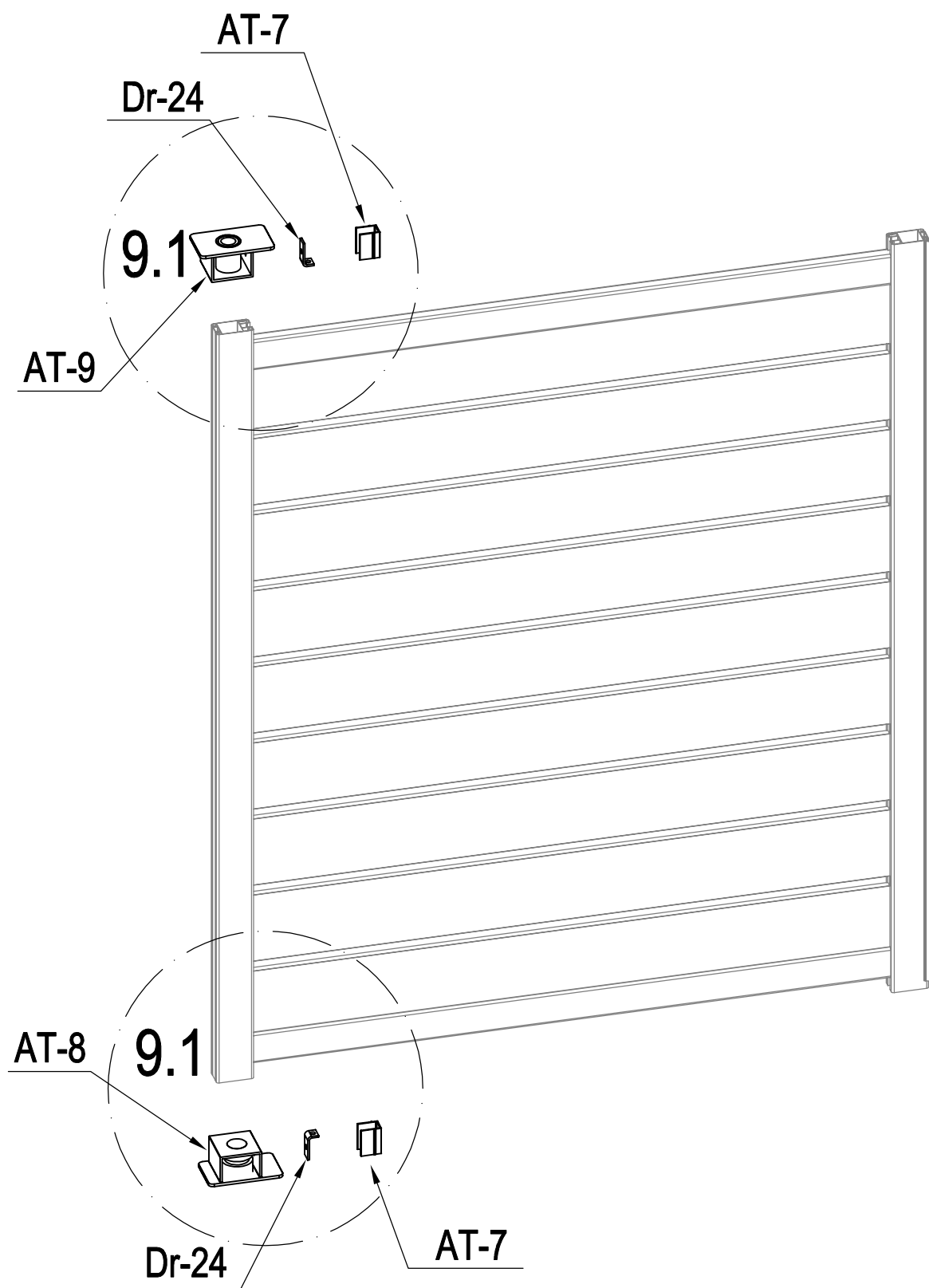
	VT-K36	36
---	--------	----



	VT-B11	2
---	--------	---

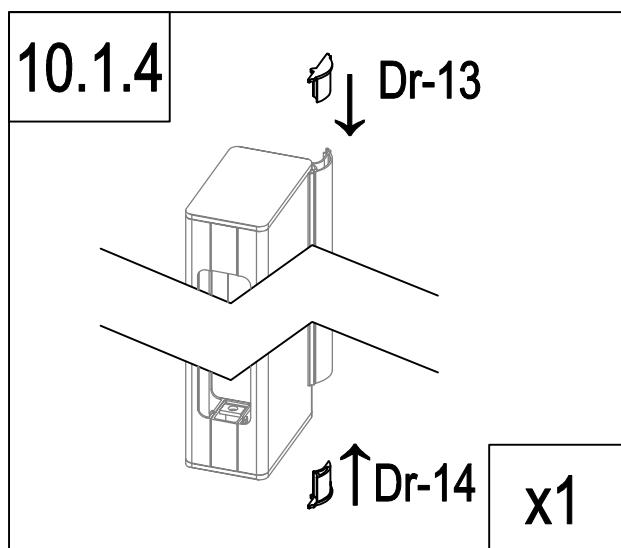
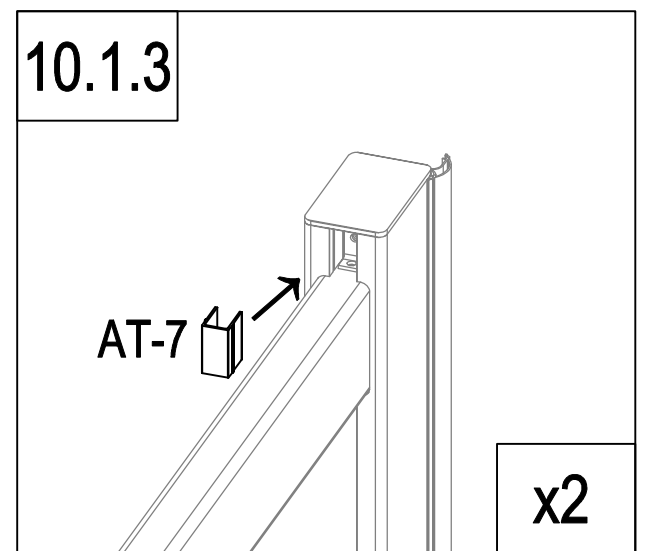
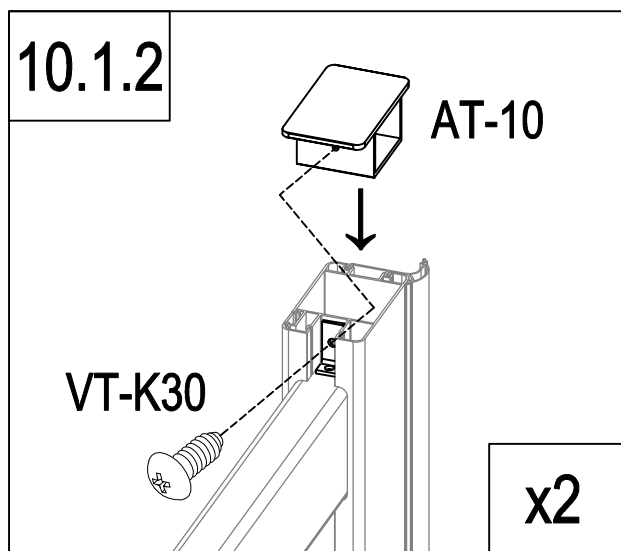
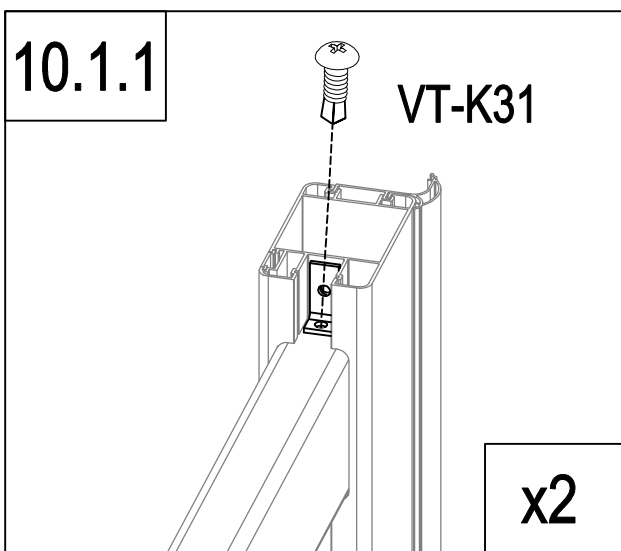
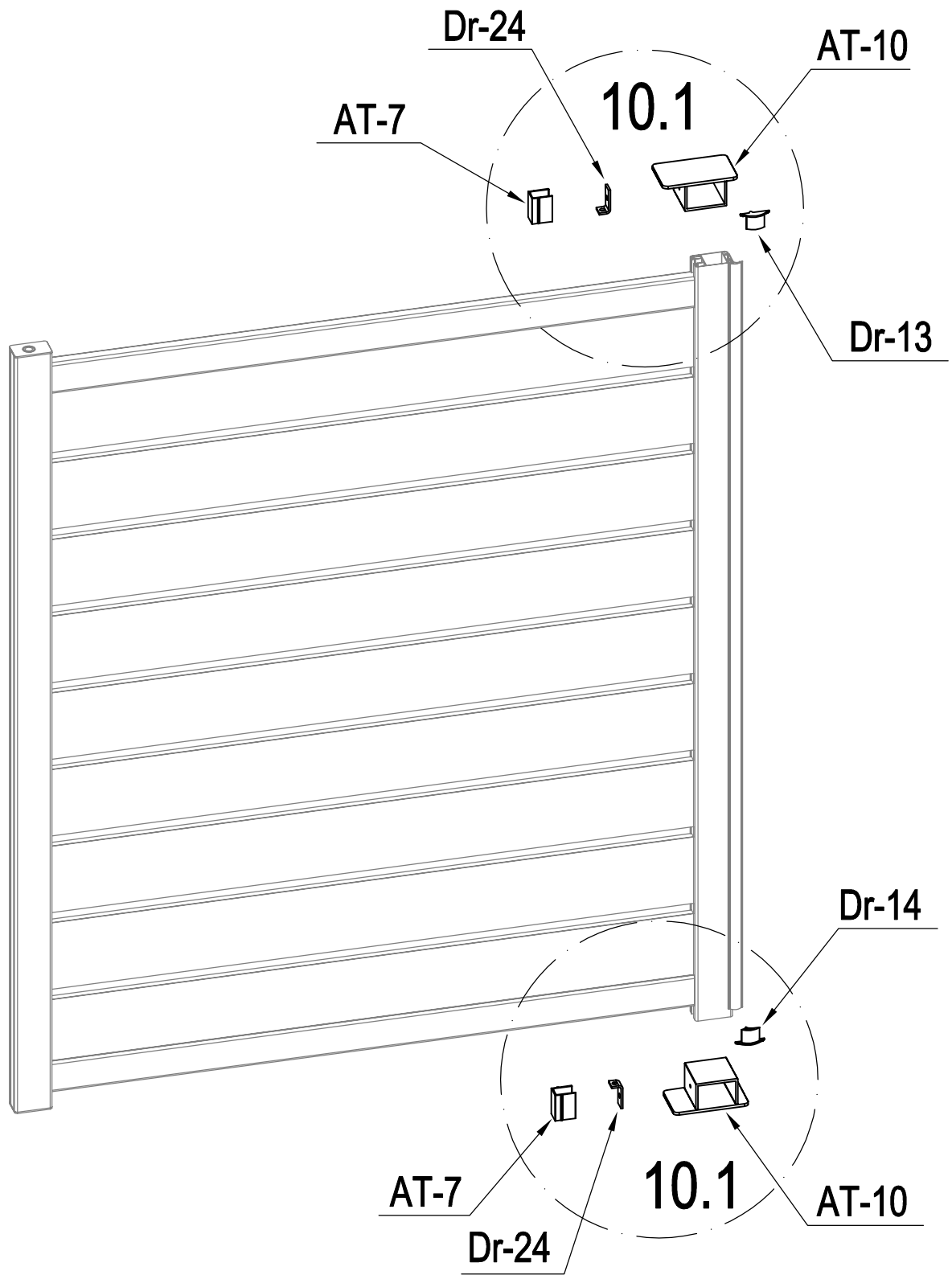


	VT-B5	1
	Dr-A5c	1
	VT-B7	1



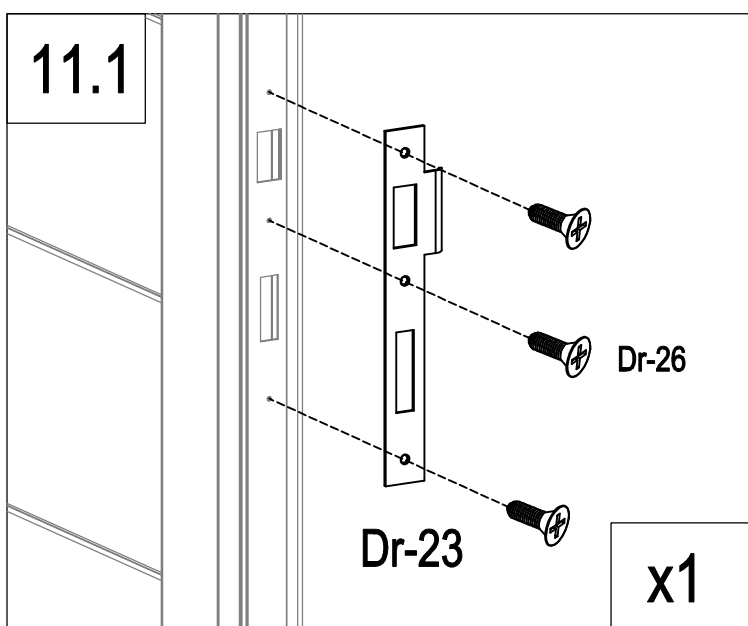
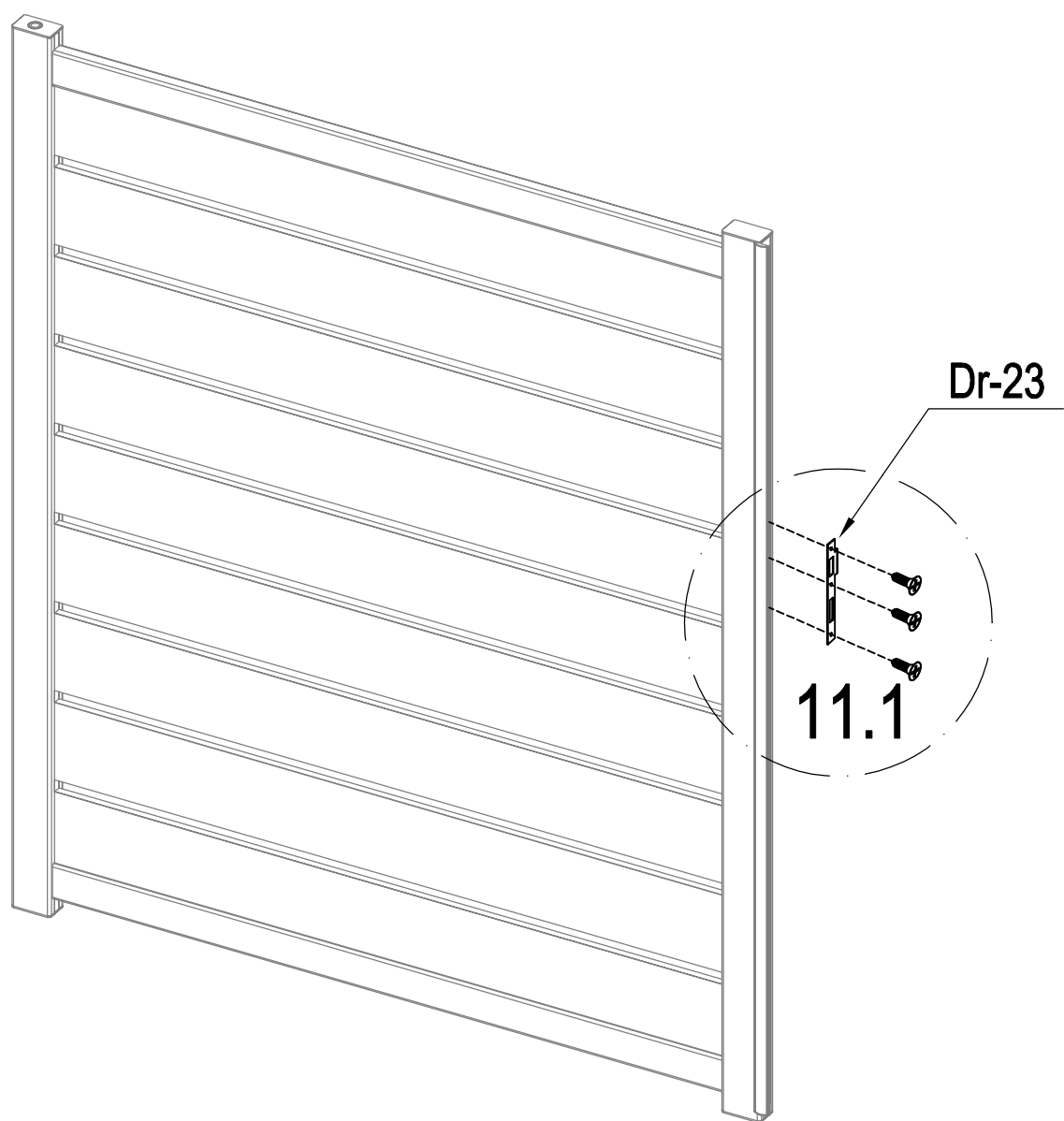
	AT-8	1
	AT-9	1
	Dr-24	2



	AT-7	2
	VT-K30	2
	VT-K31	2



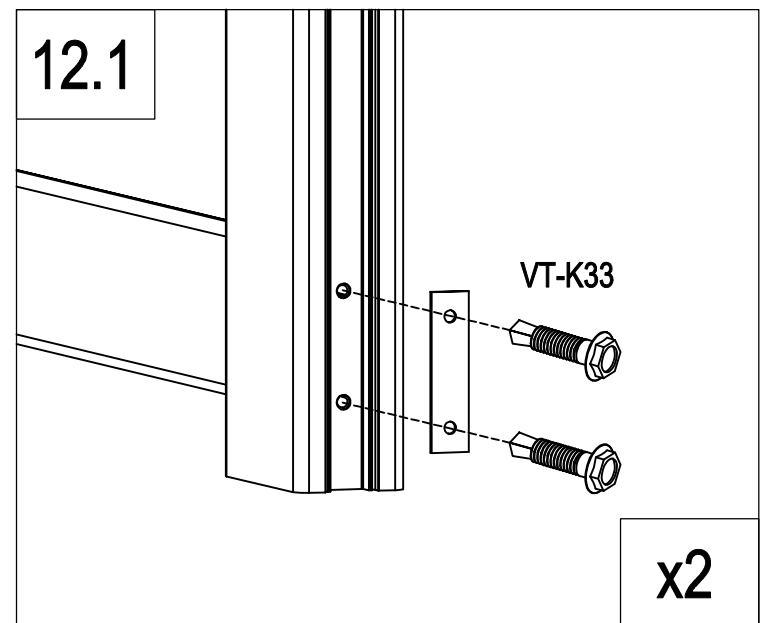
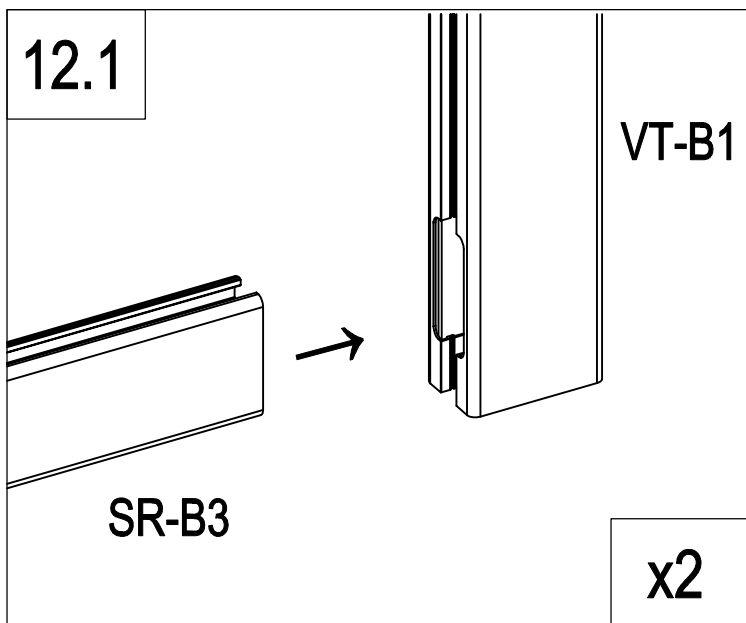
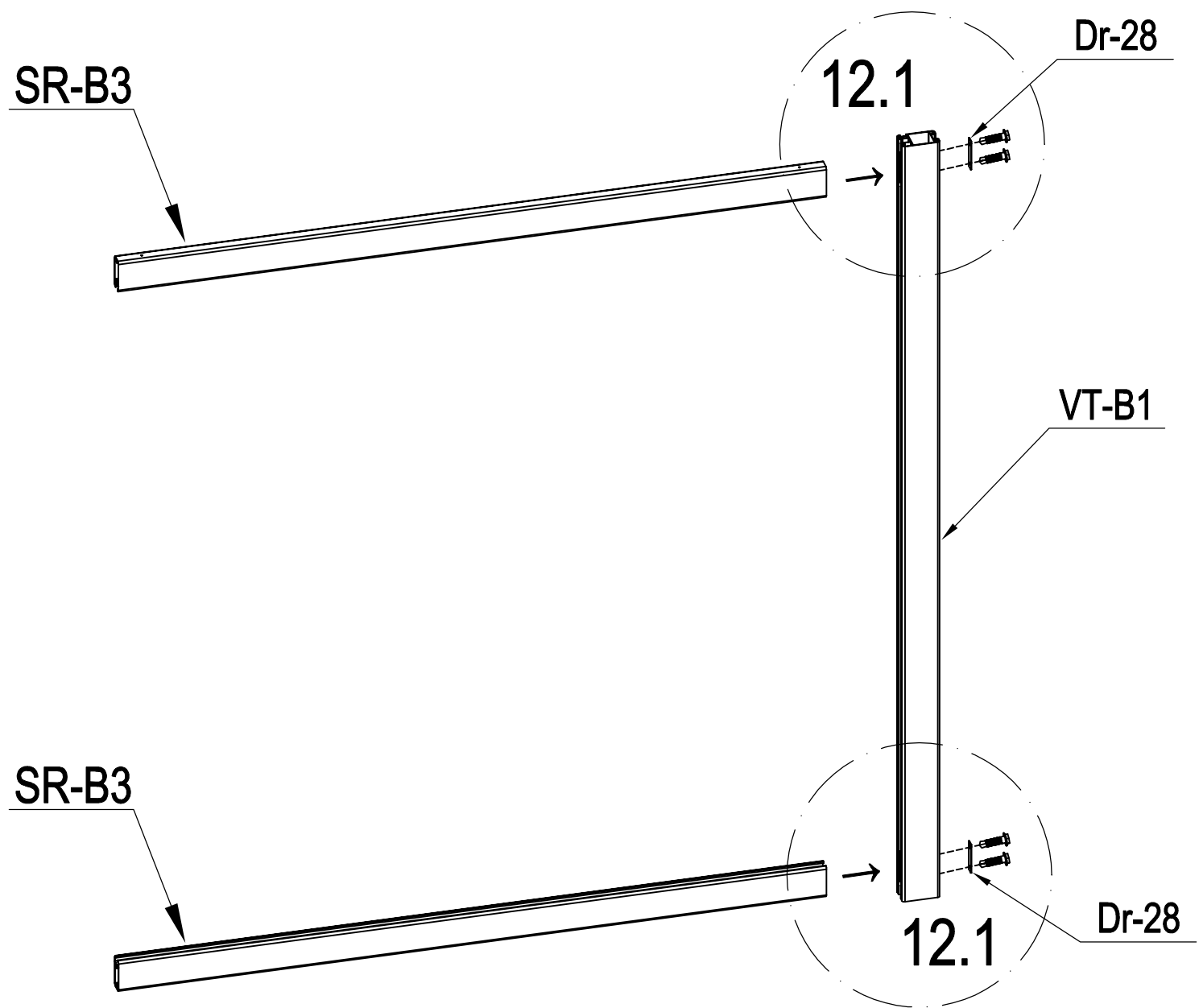
	AT-10	2
	Dr-24	2
	AT-7	2
	Dr-13	1

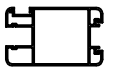
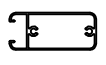

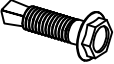
	Dr-14	1
	VT-K30	2
	VT-K31	2

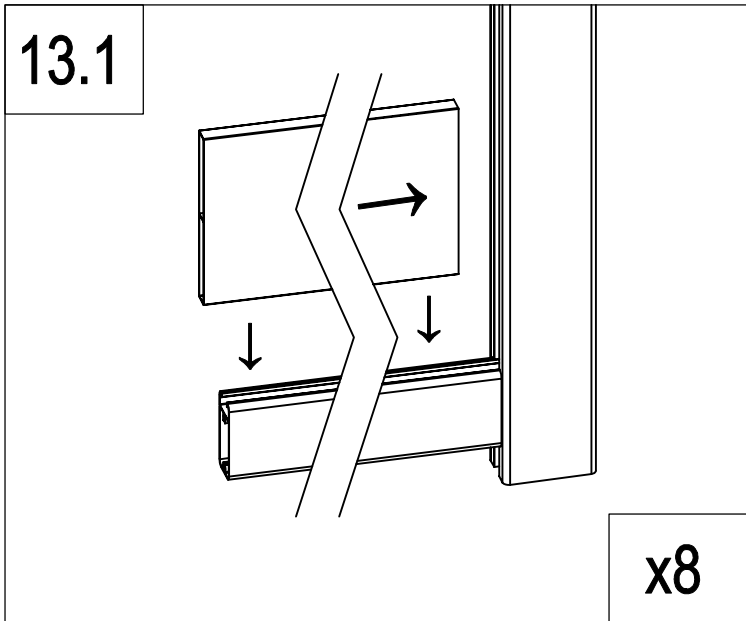
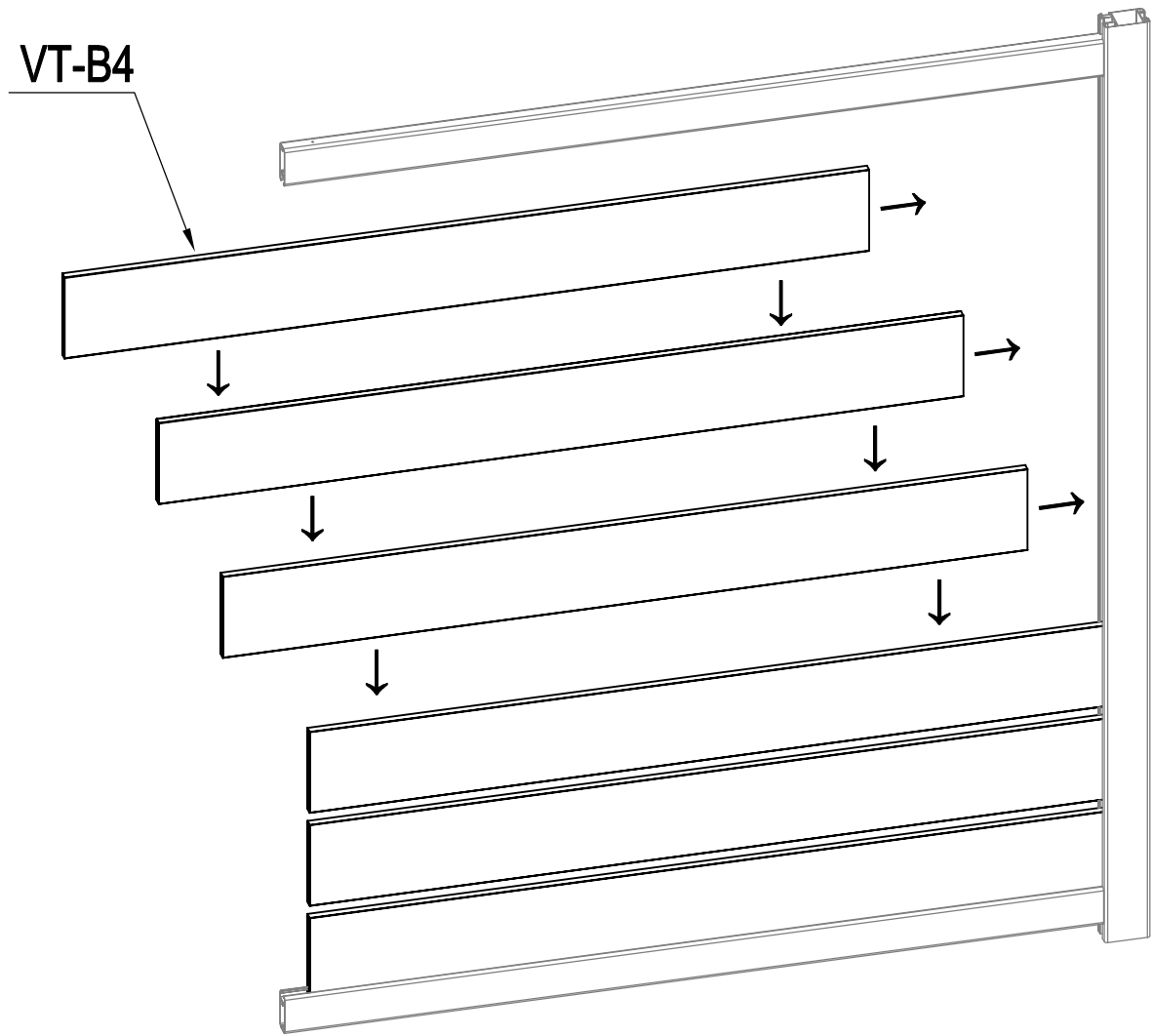


	<b>Dr-23</b>	<b>1</b>
	<b>Dr-26</b>	<b>3</b>

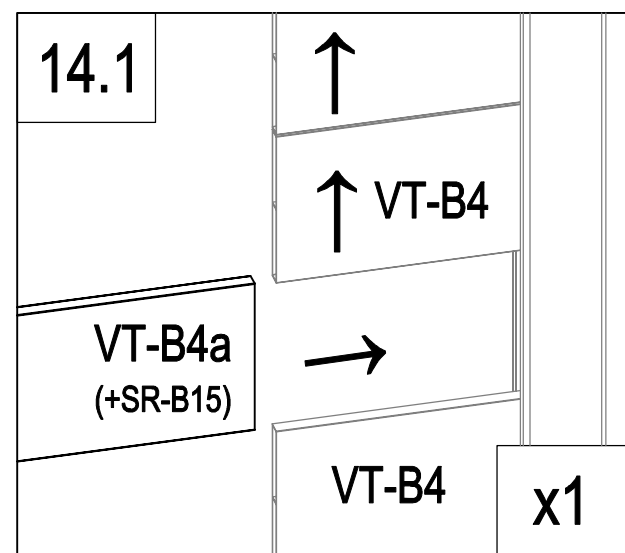
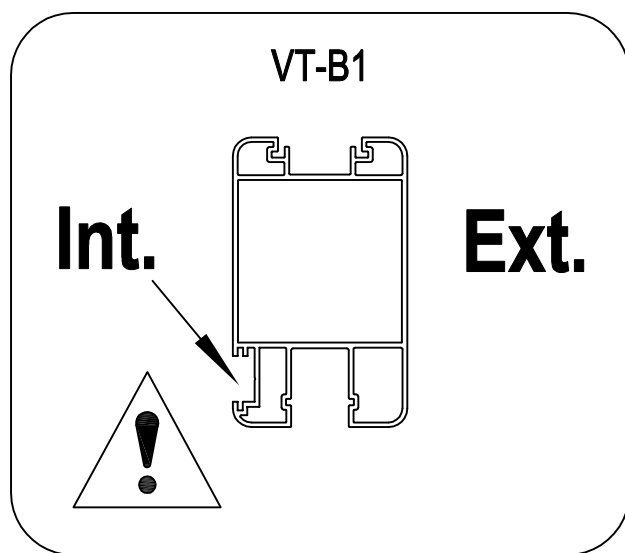
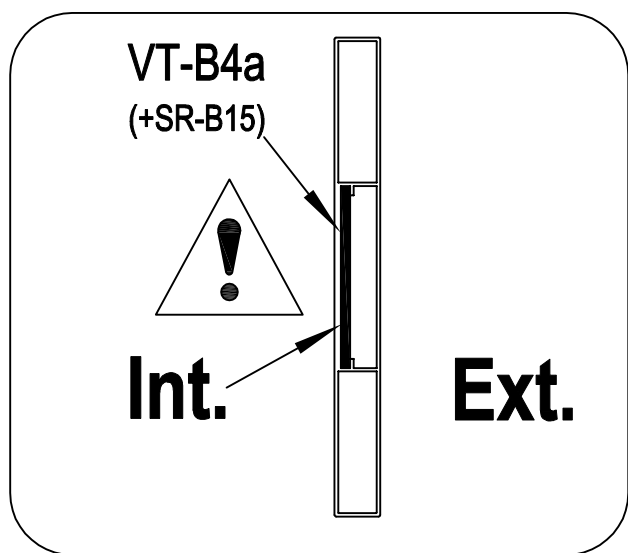
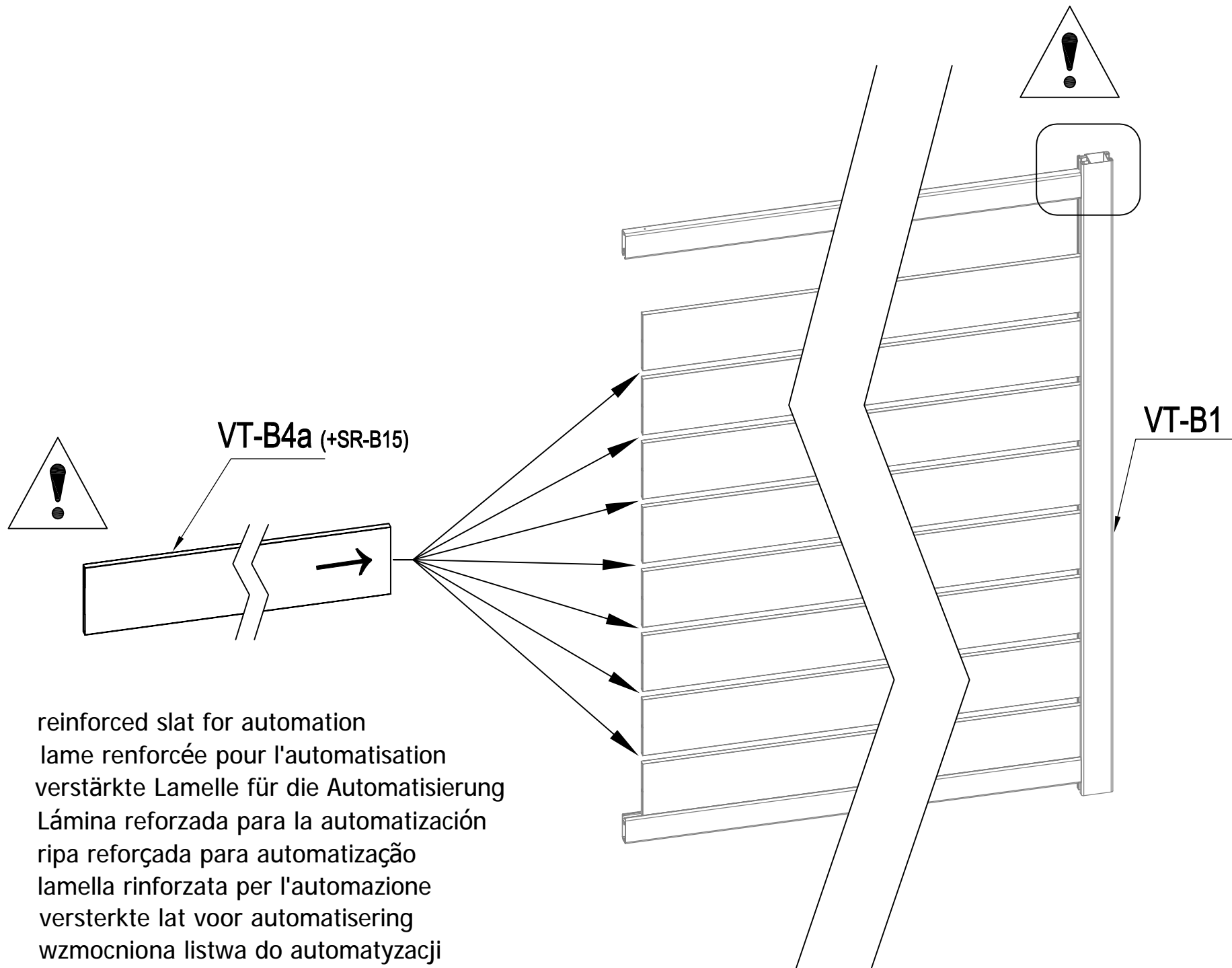





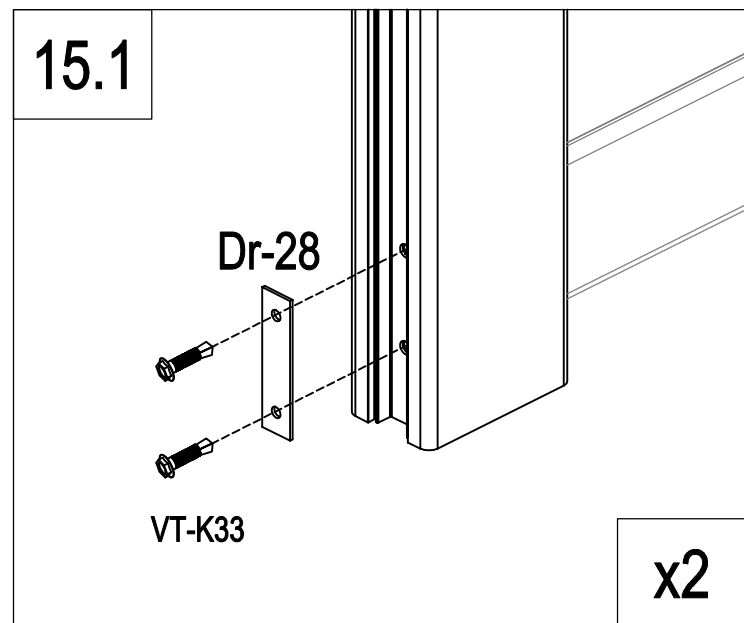
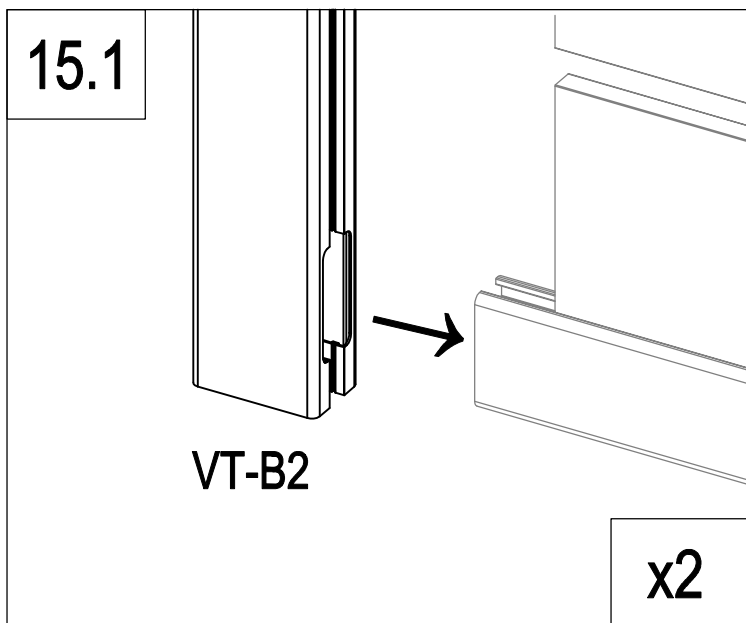
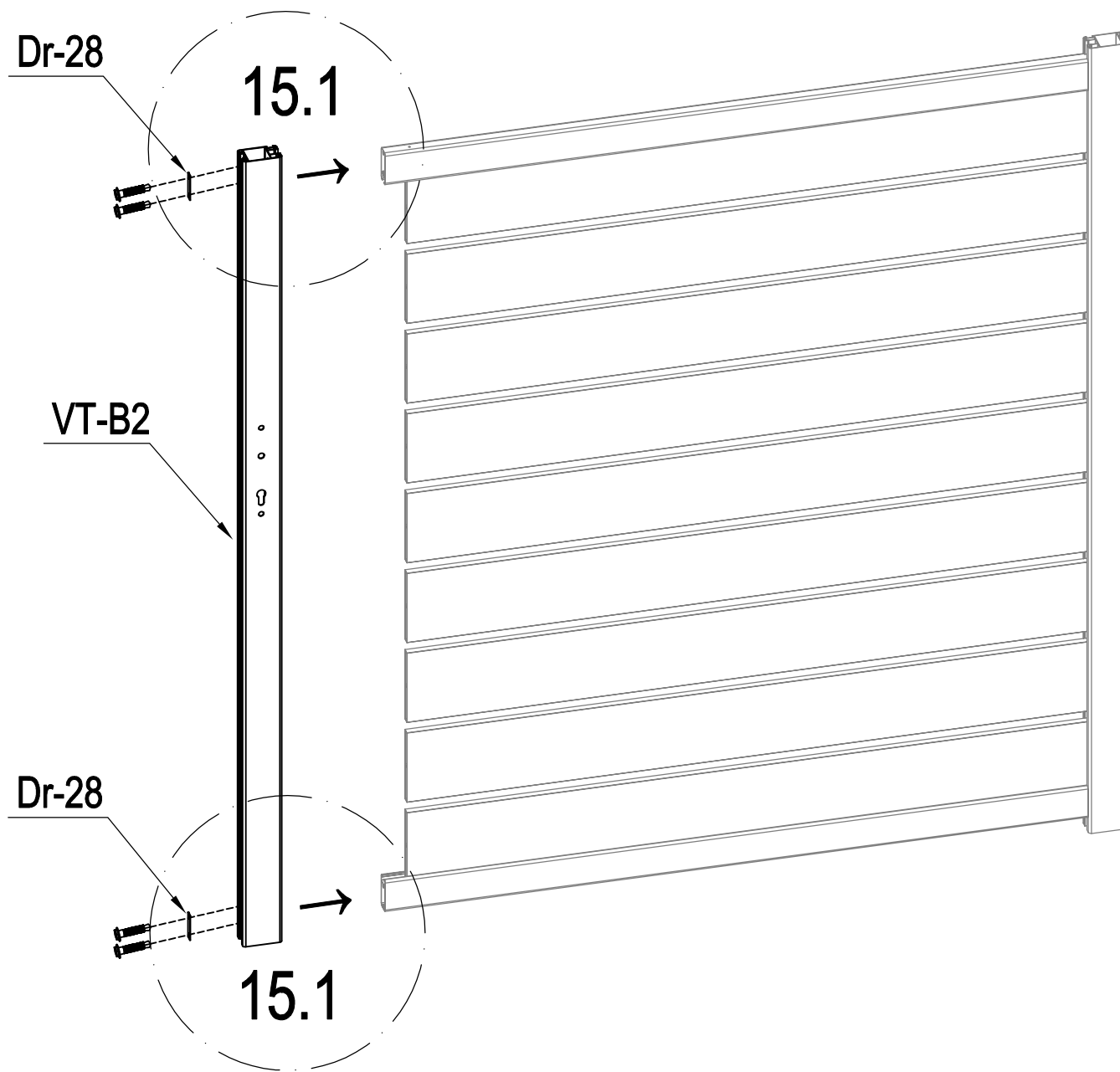
	VT-B1	1
	SR-B3	2
	Dr-28	2
	VT-K33	4

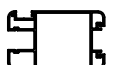




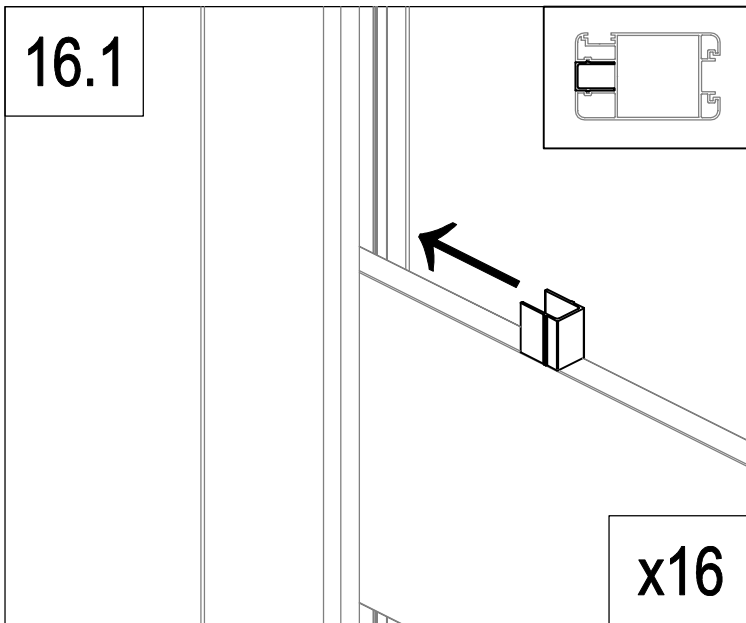
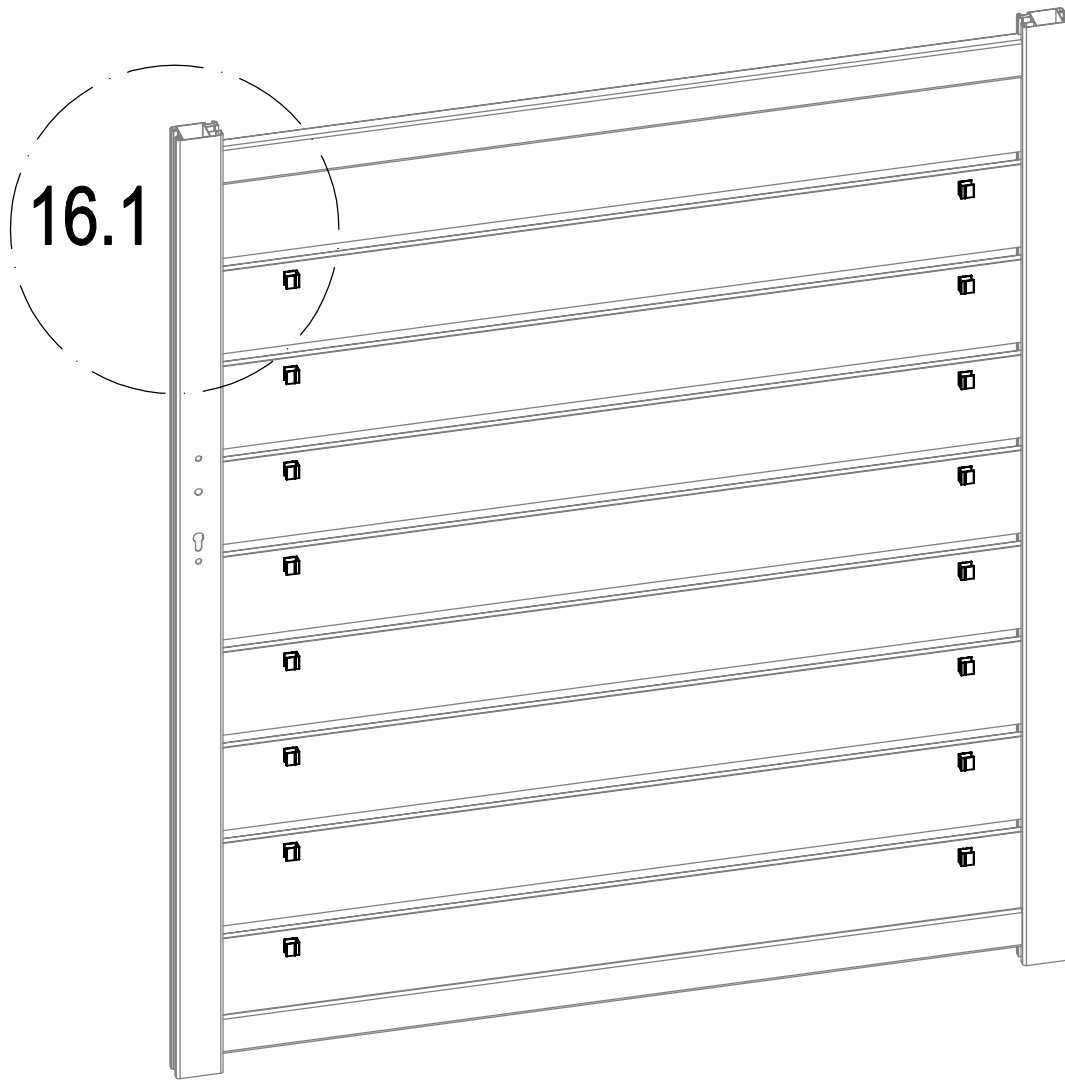
	VT-B4	8
--	-------	---



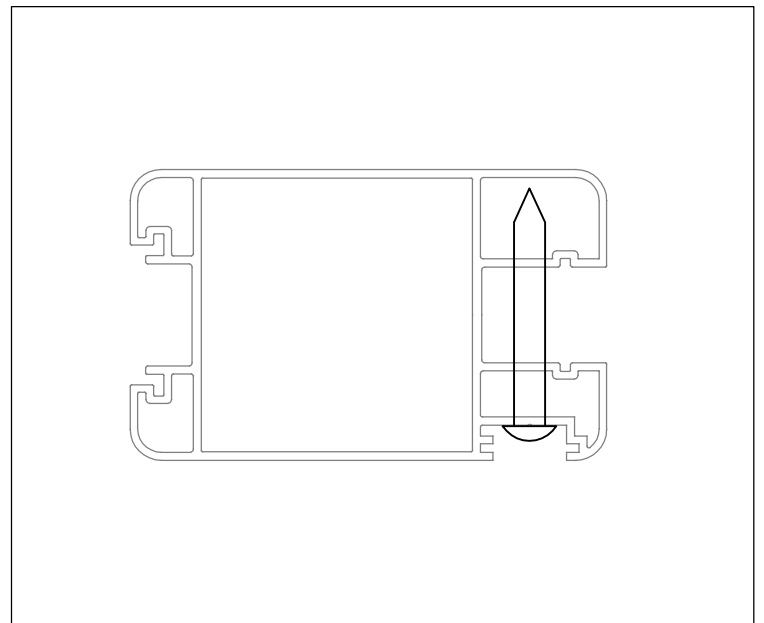
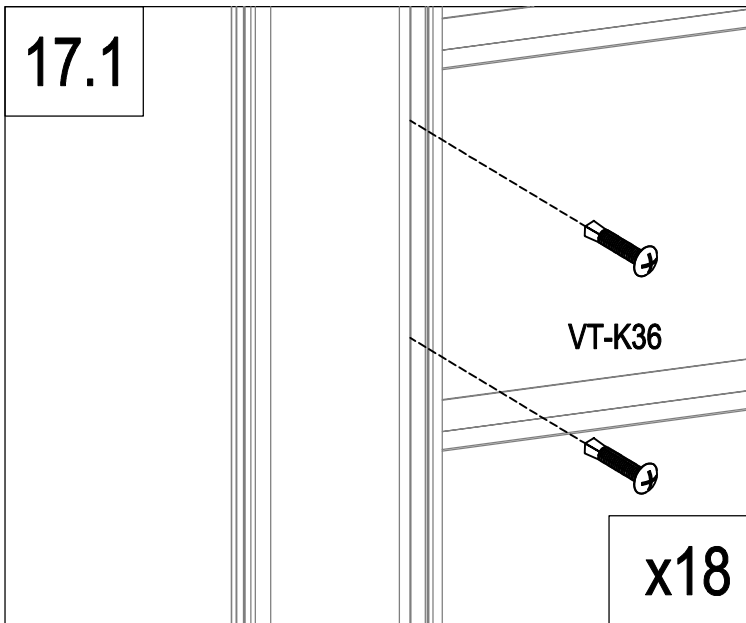
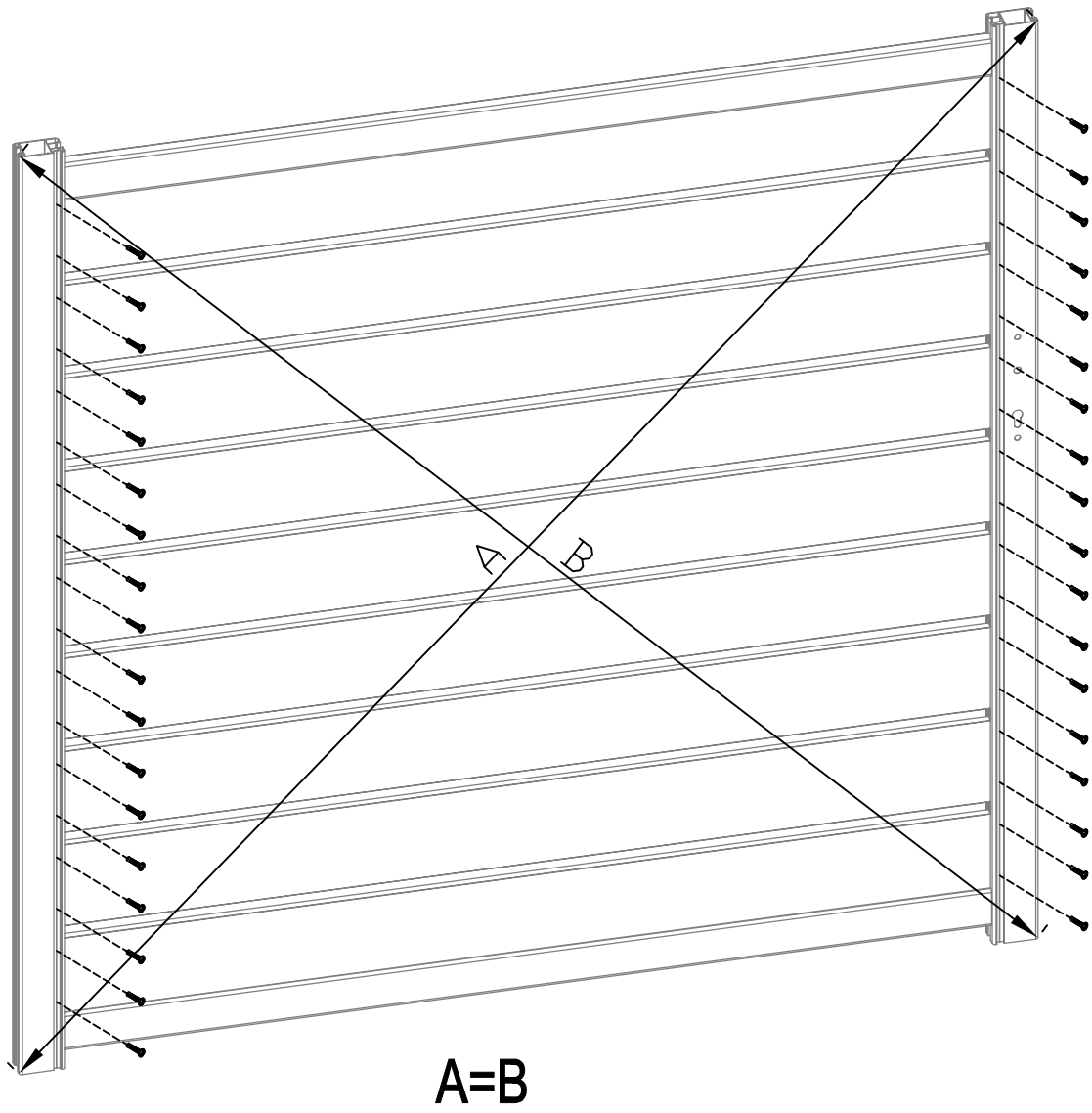
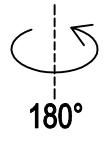
	VT-B4a (+SR-B15)	1
---	------------------	---



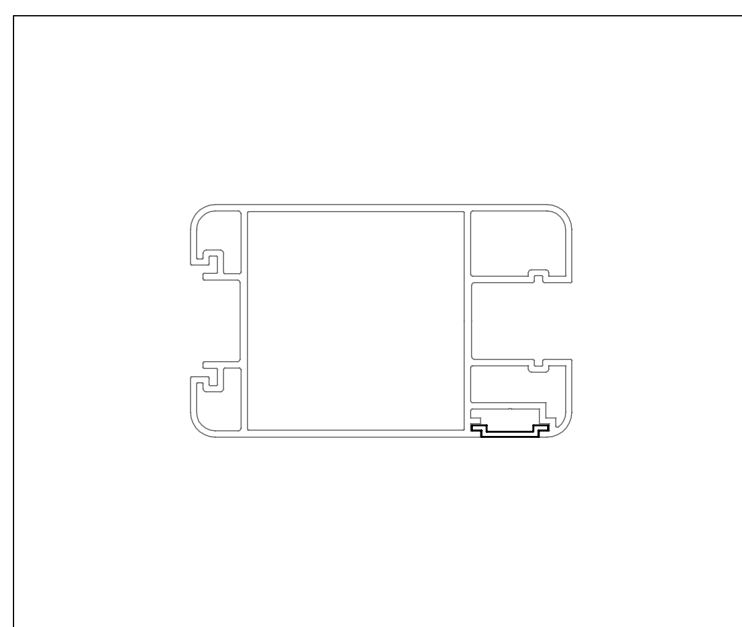
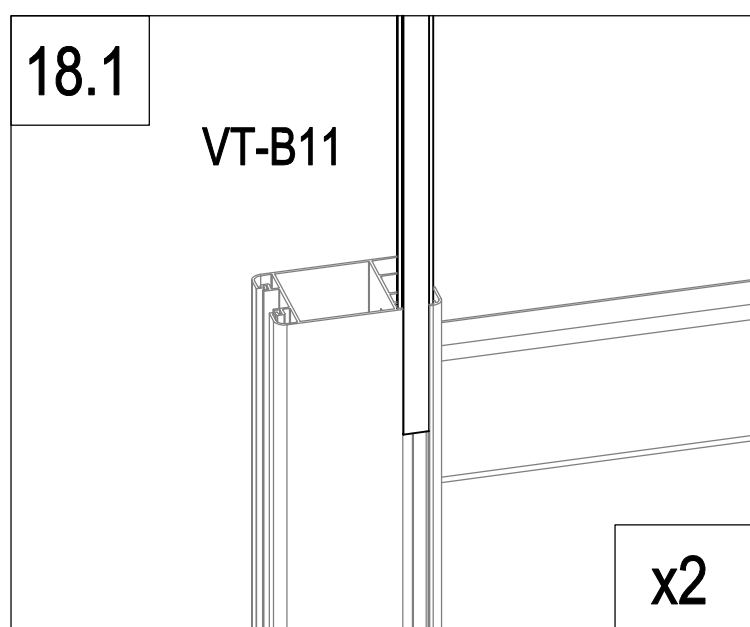
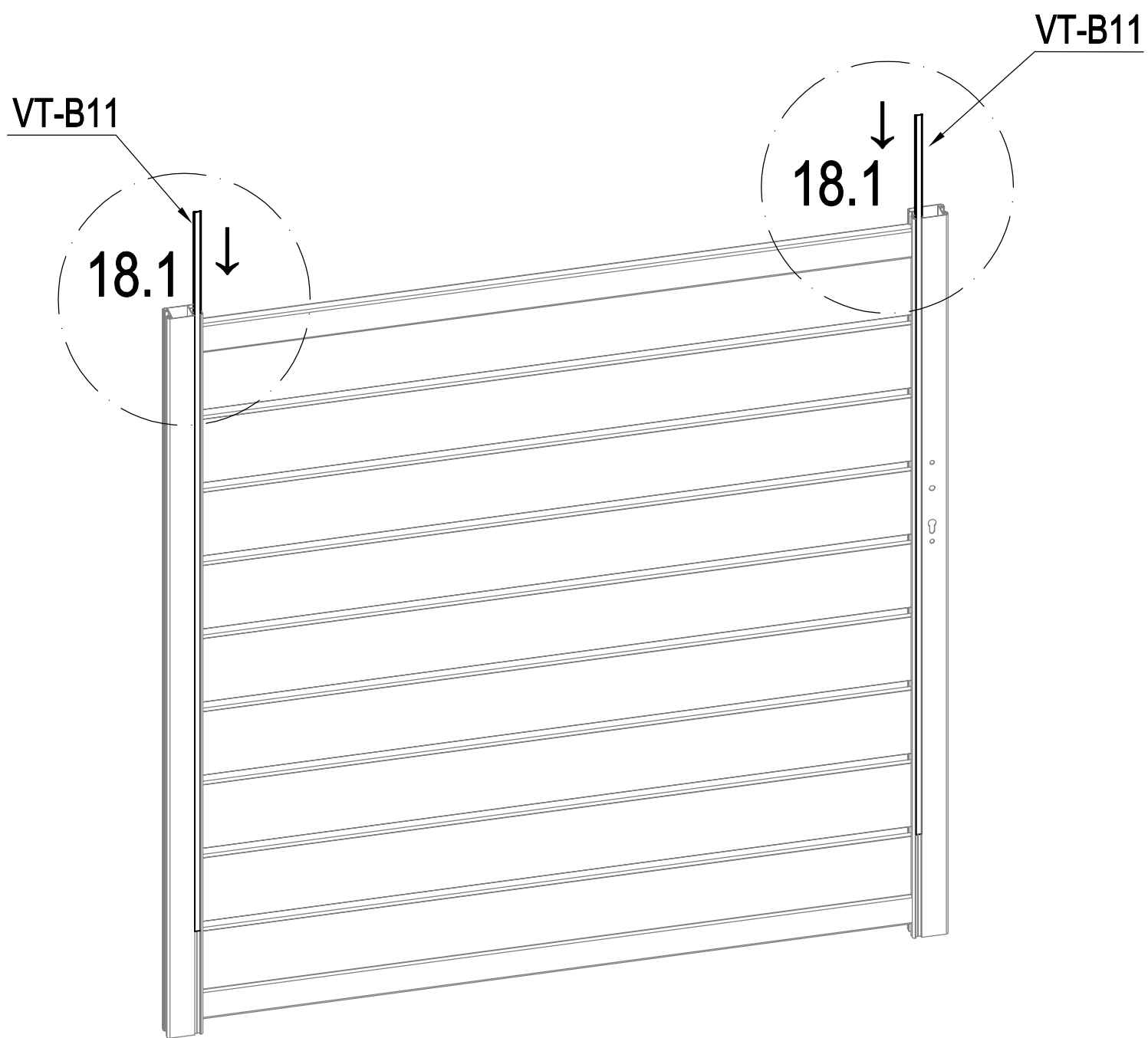
	VT-B2	1
	Dr-28	2
	VT-K33	4

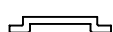


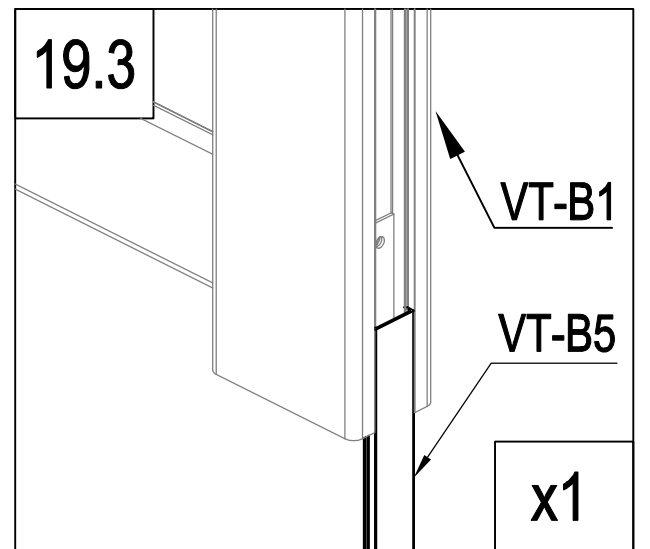
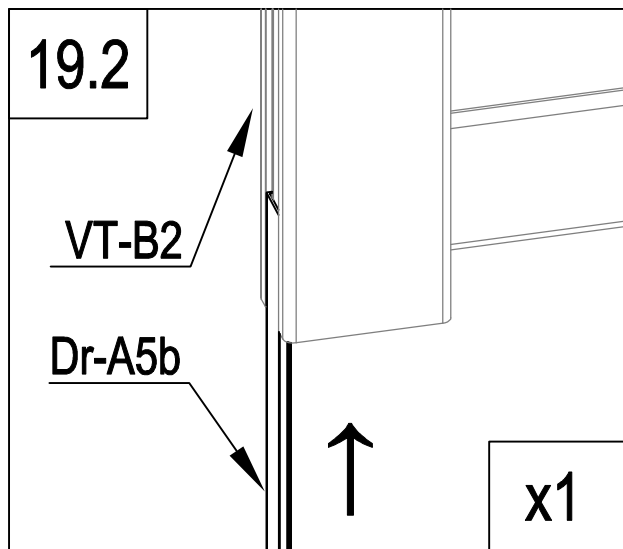
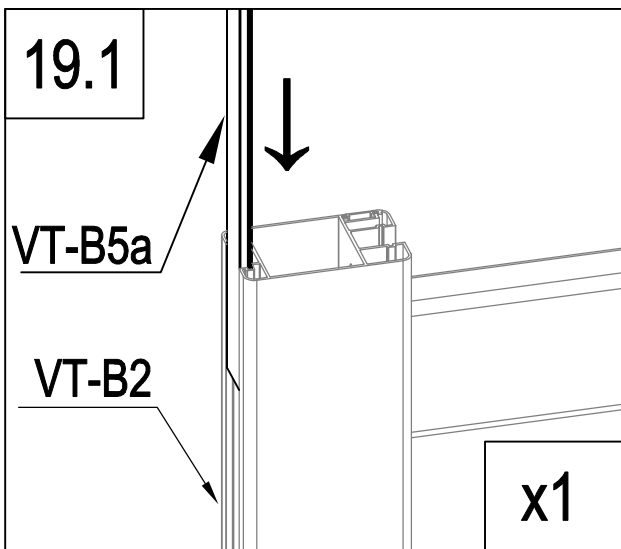
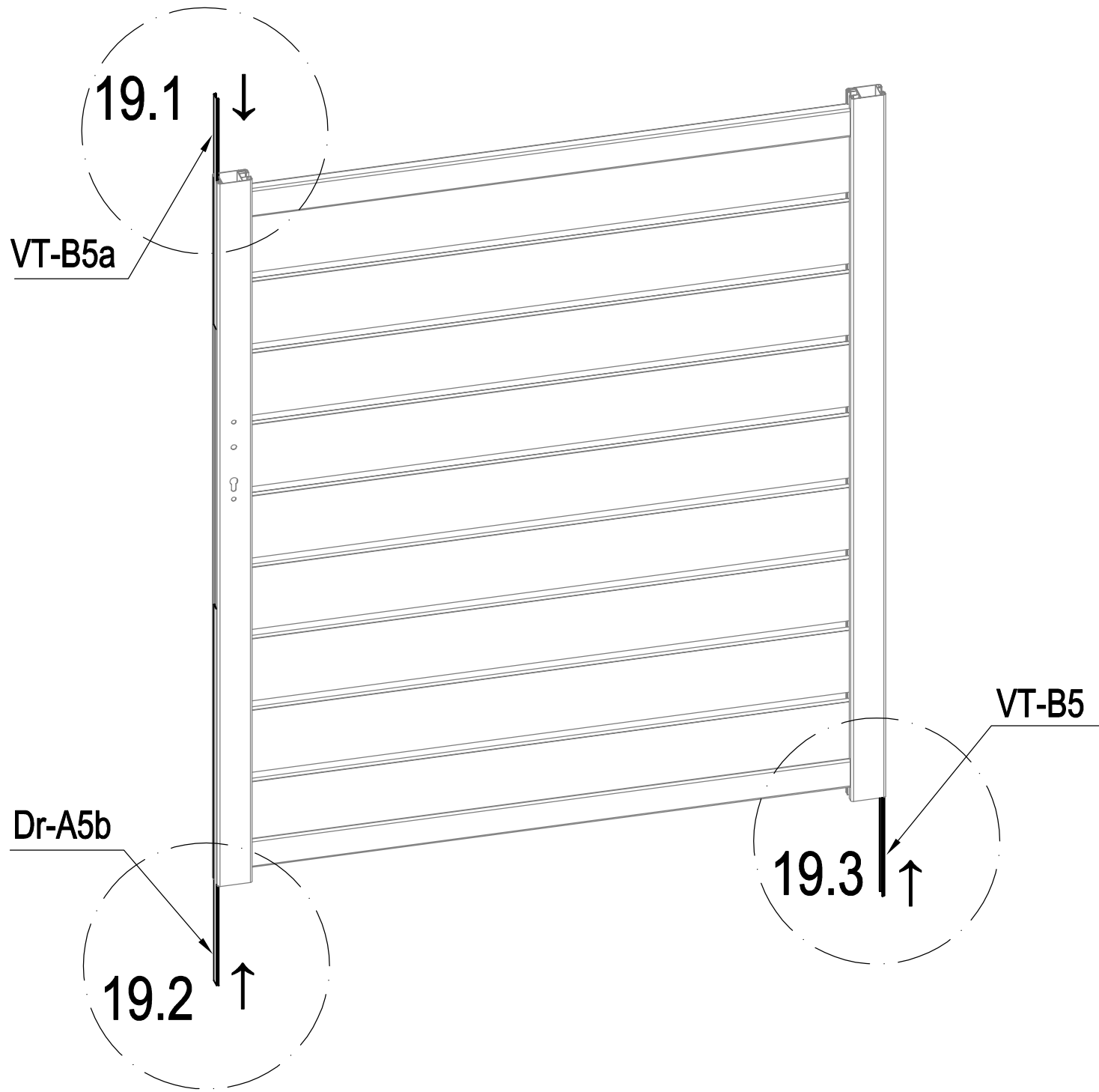
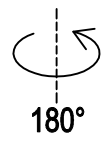
	VT-A6	16
---	-------	----



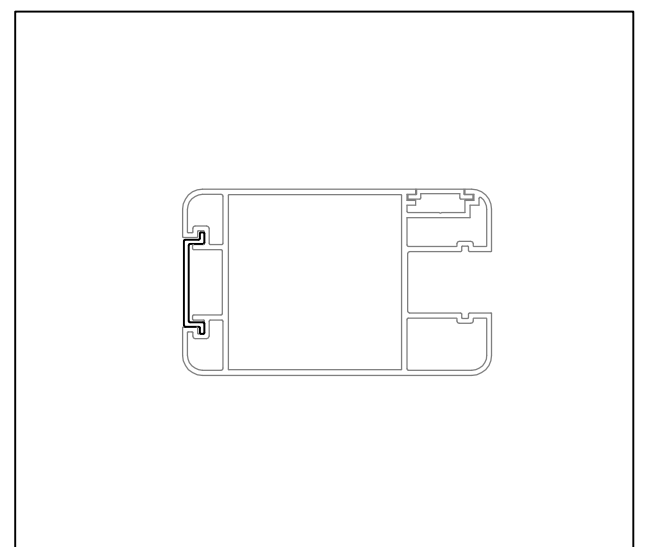
	VT-K36	36
--	--------	----



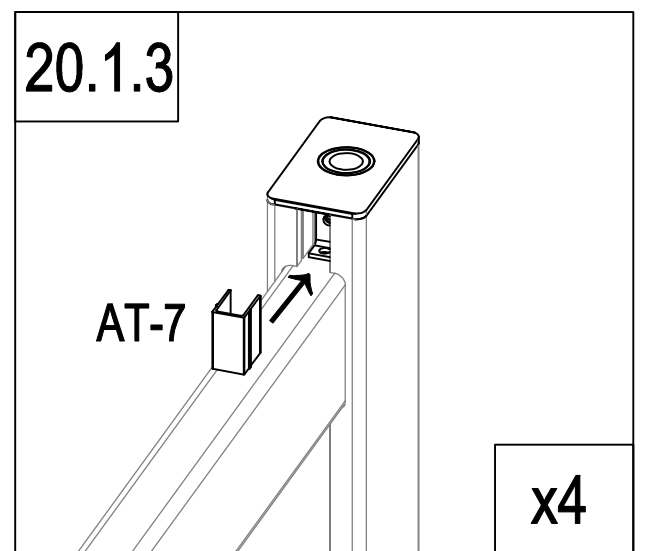
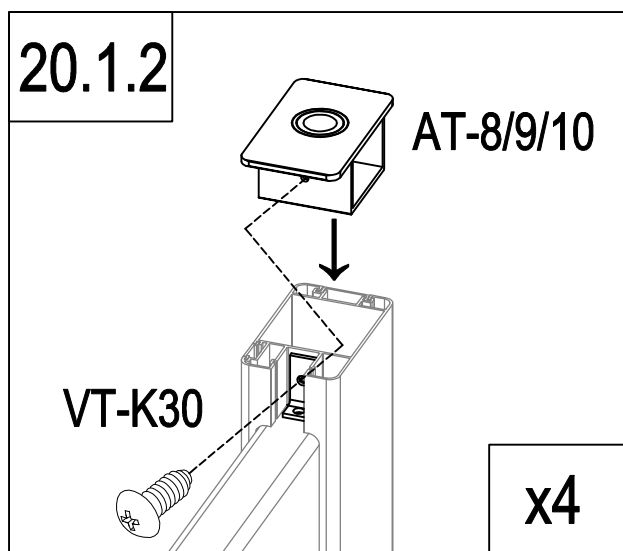
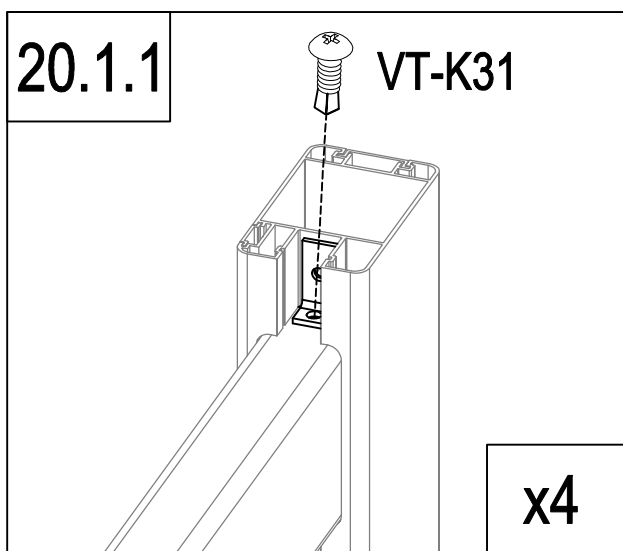
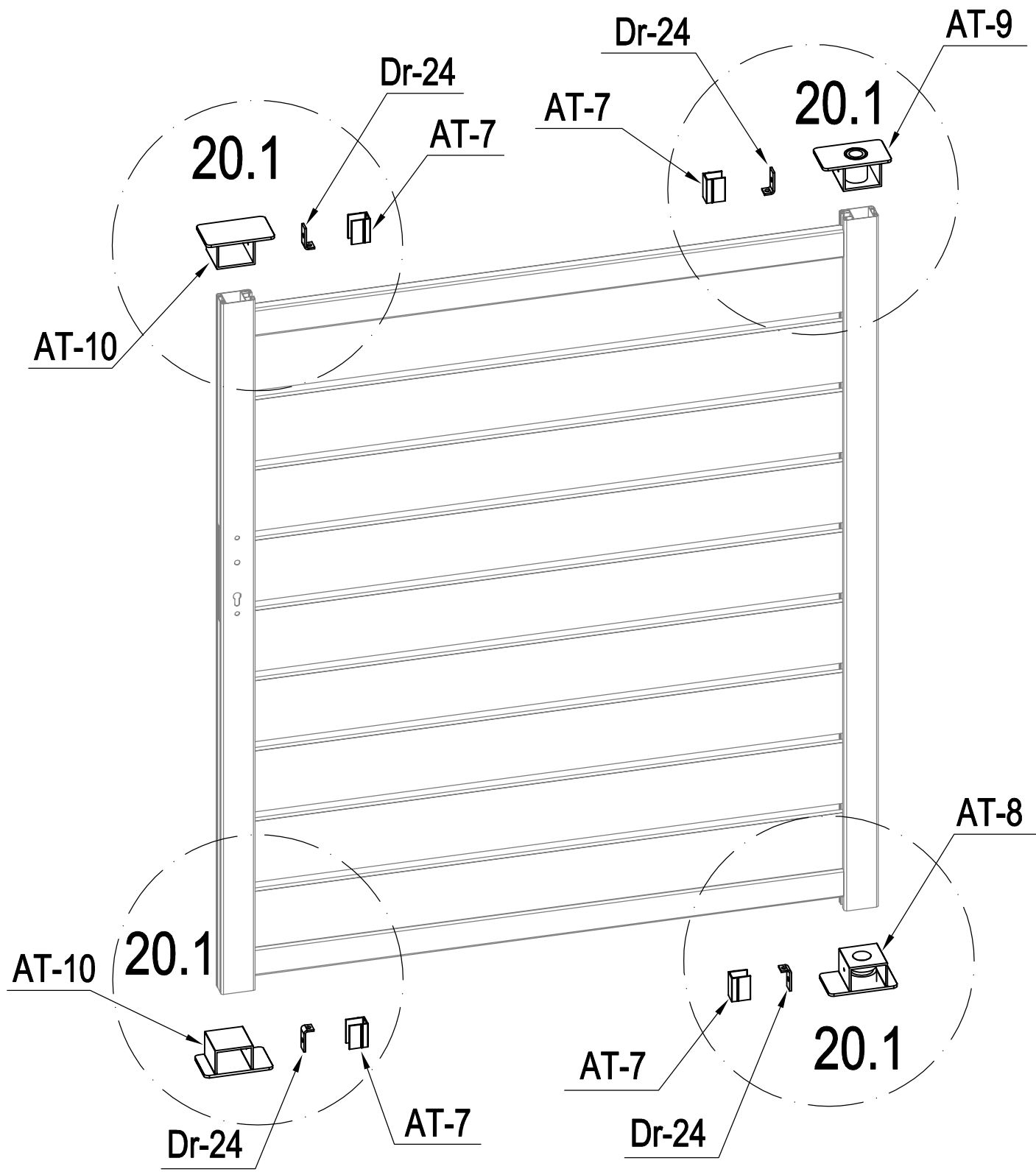
	VT-B11	2
---	--------	---



	VT-B5	1
	VT-B5a	1
	Dr-A5b	1

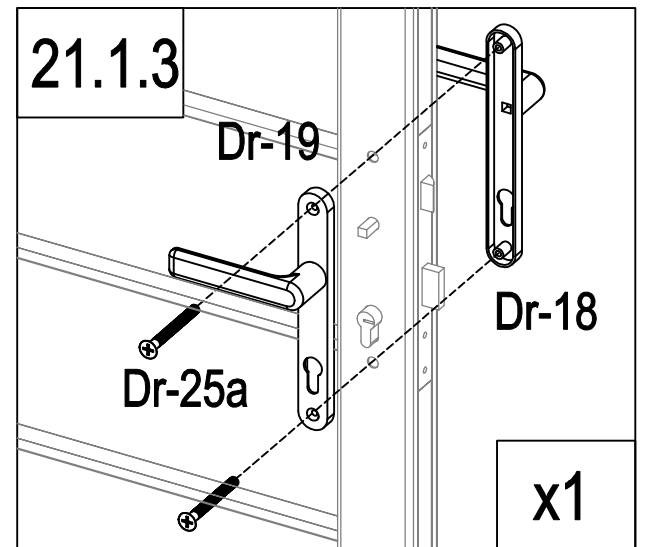
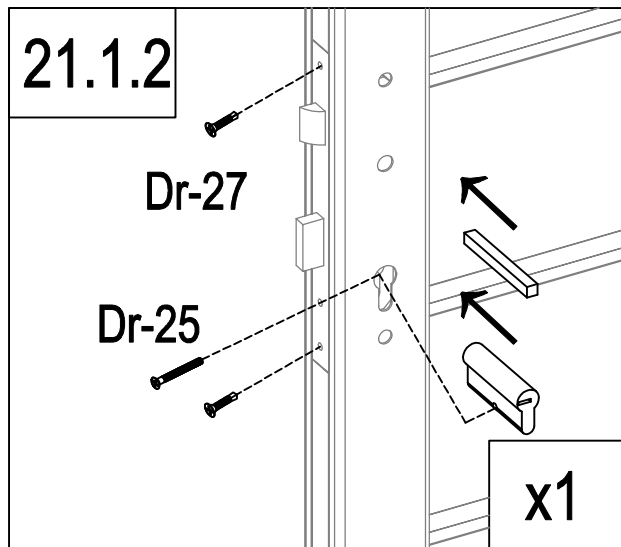
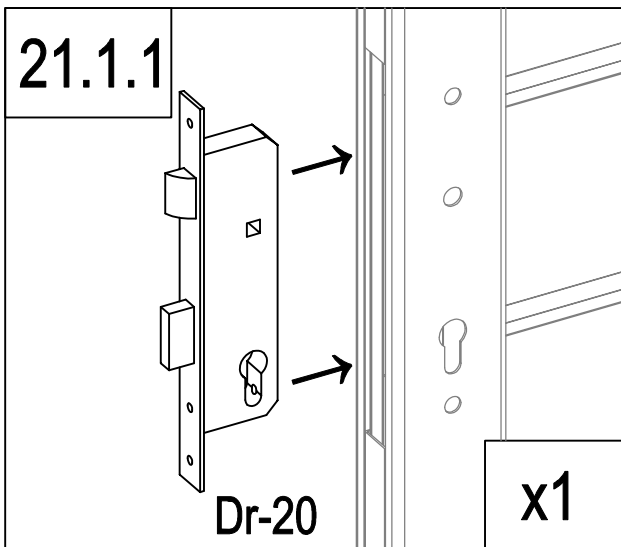
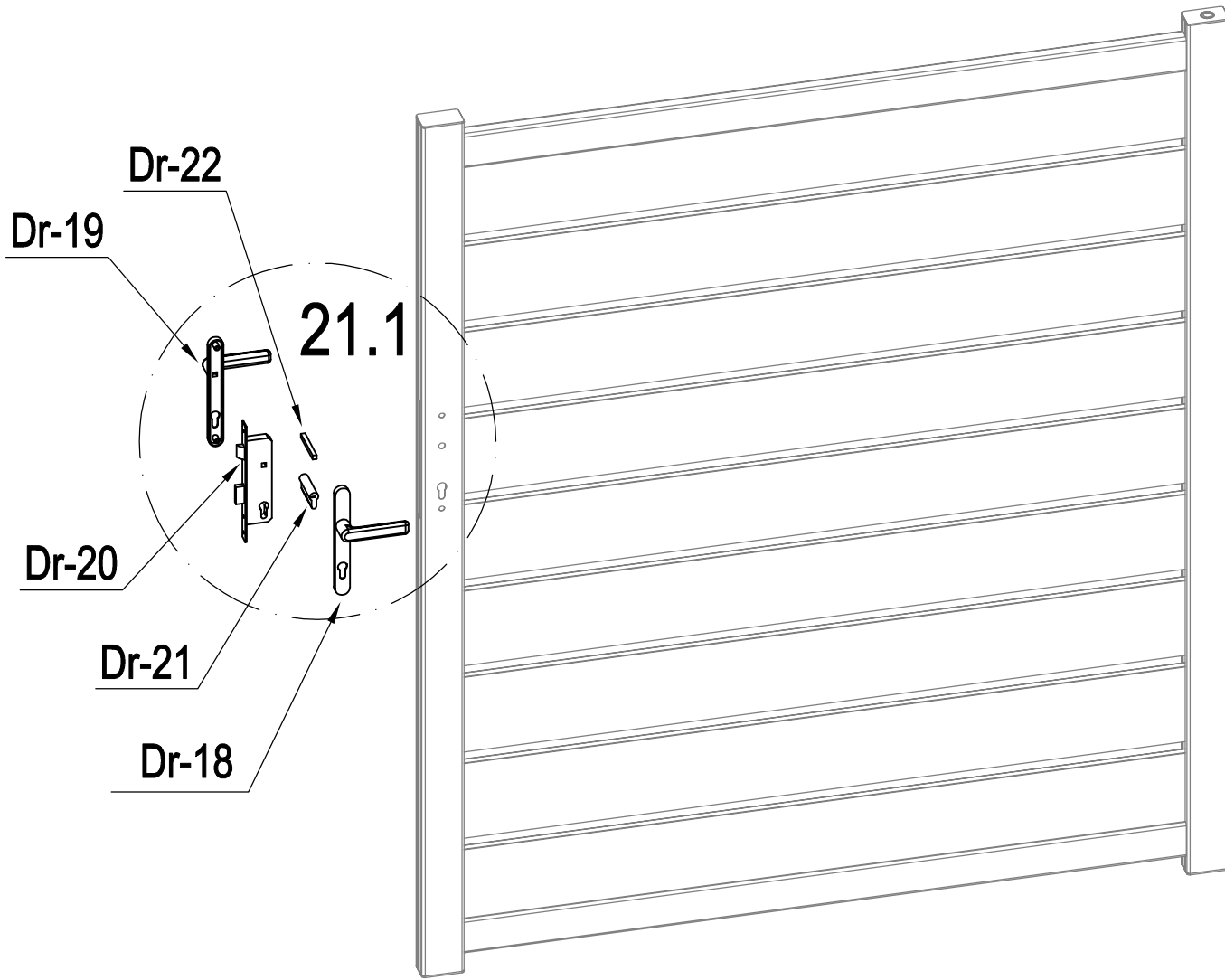






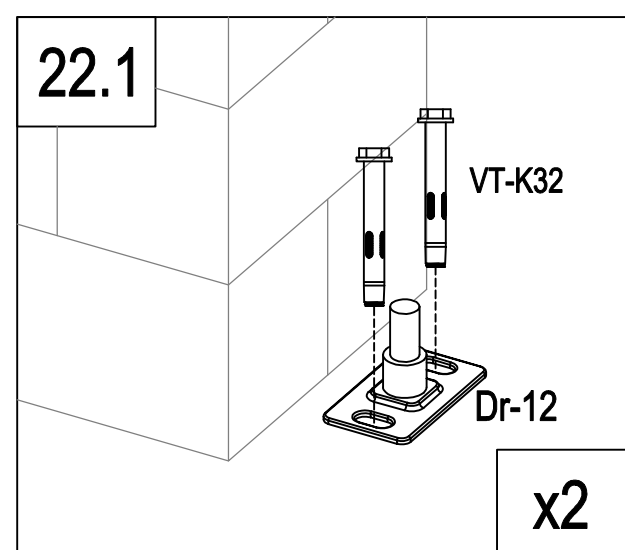
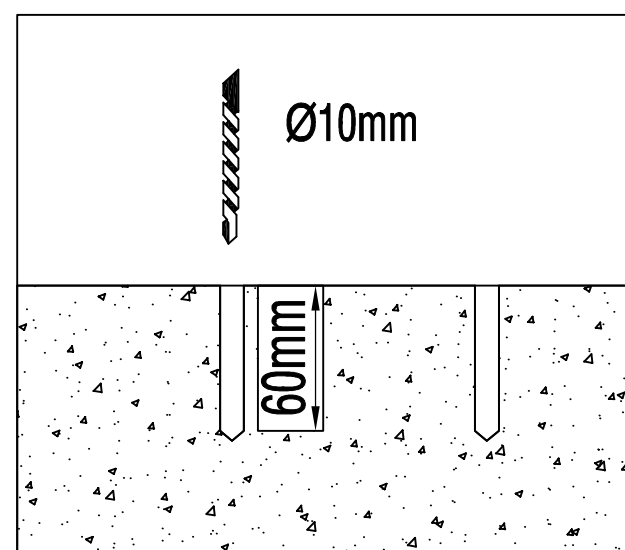
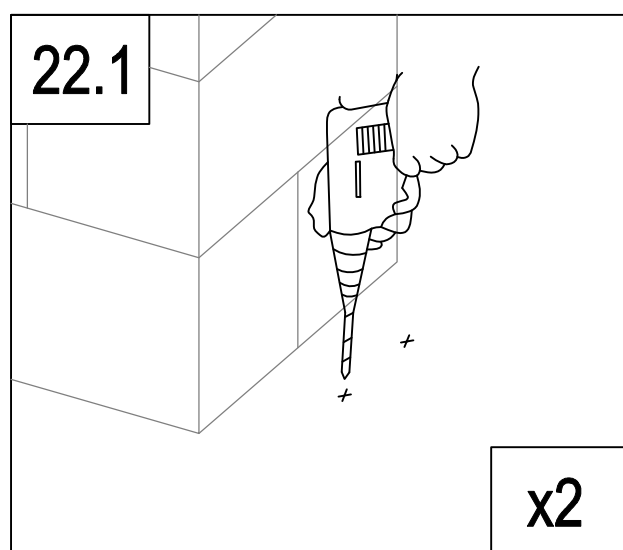
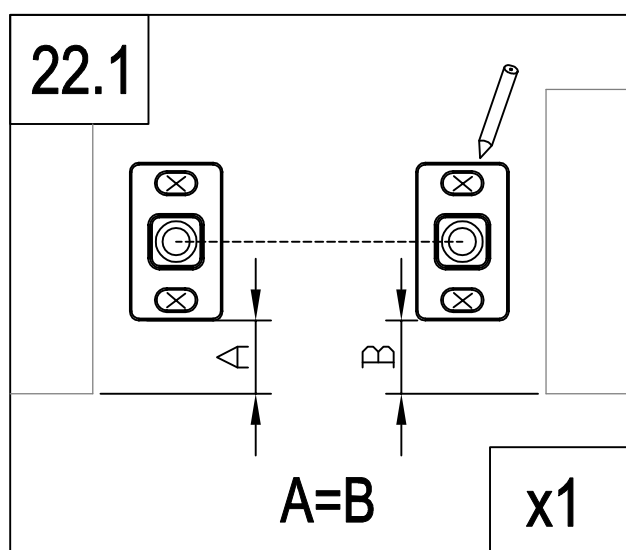
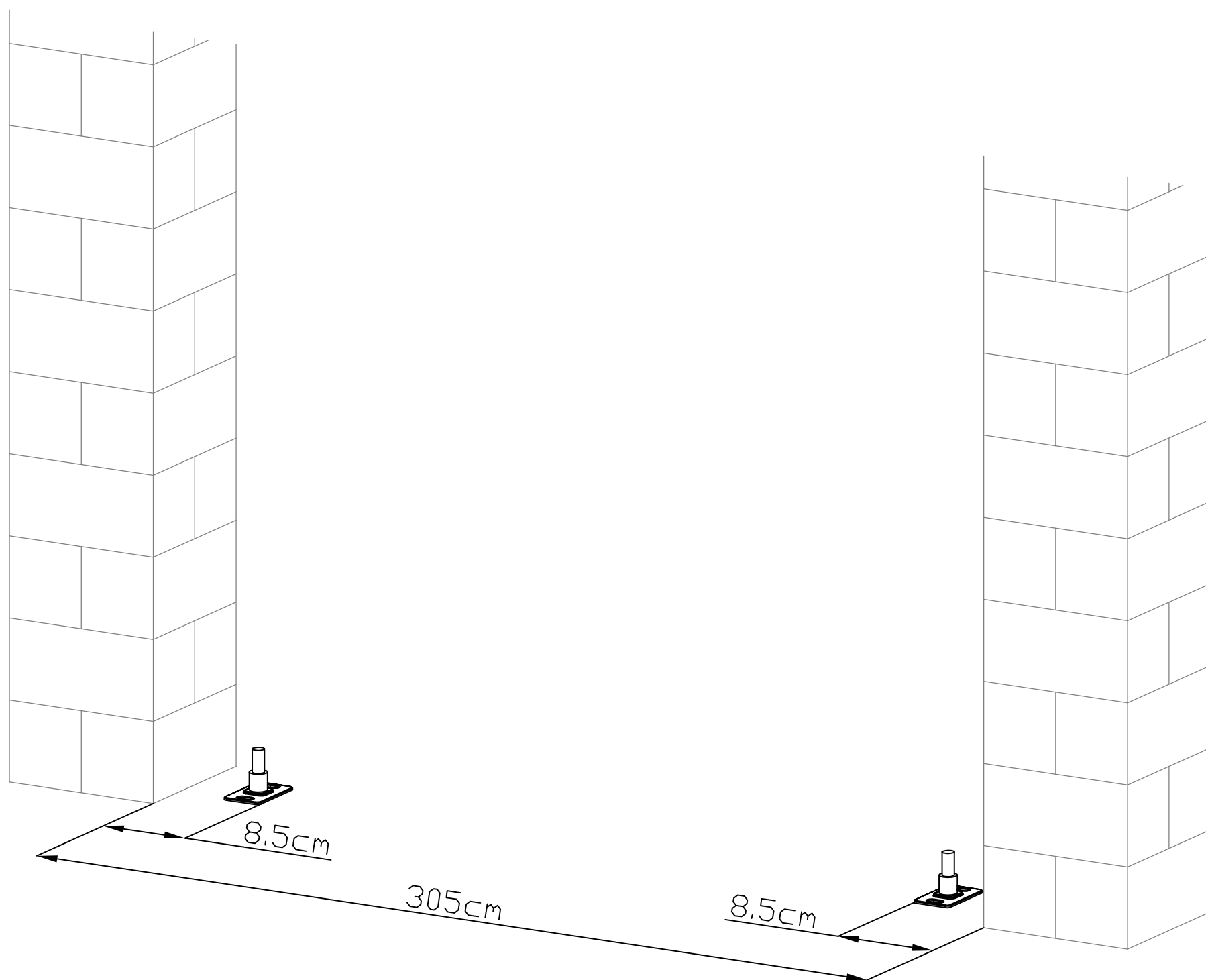
	AT-8	1
	AT-9	1
	AT-10	2
	Dr-24	4

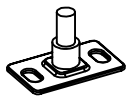

	AT-7	4
	VT-K30	4
	VT-K31	4

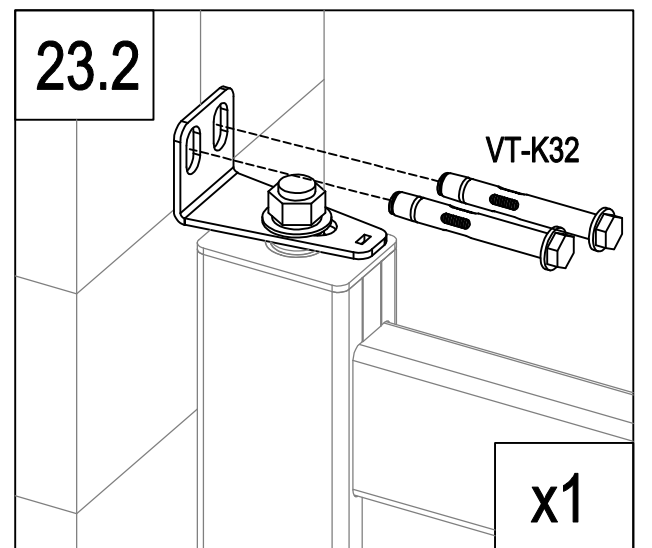
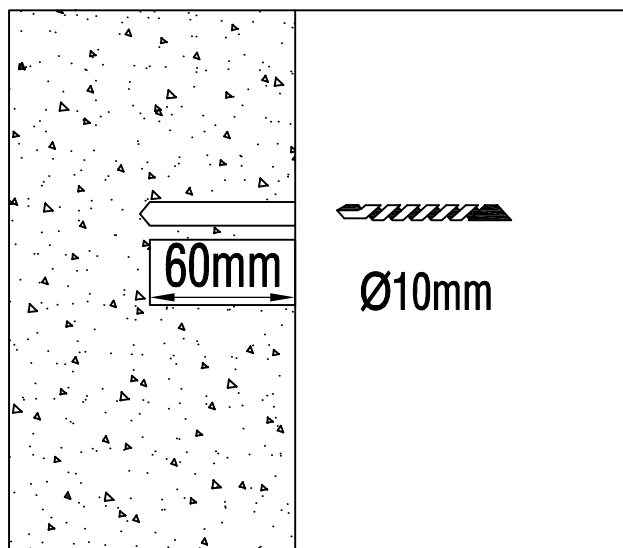
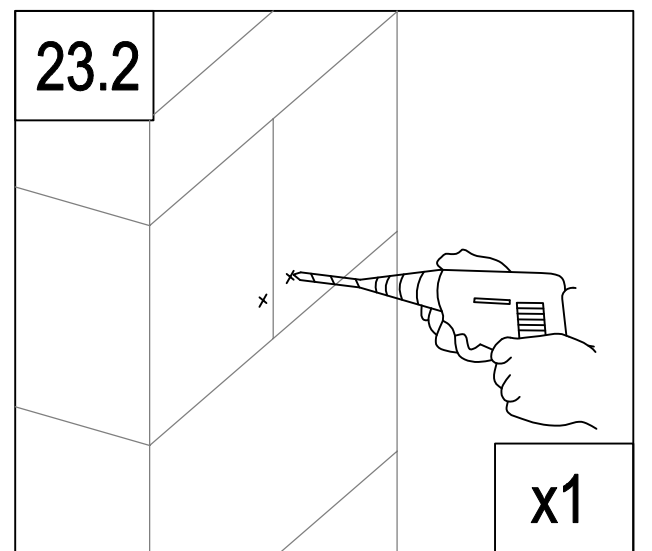
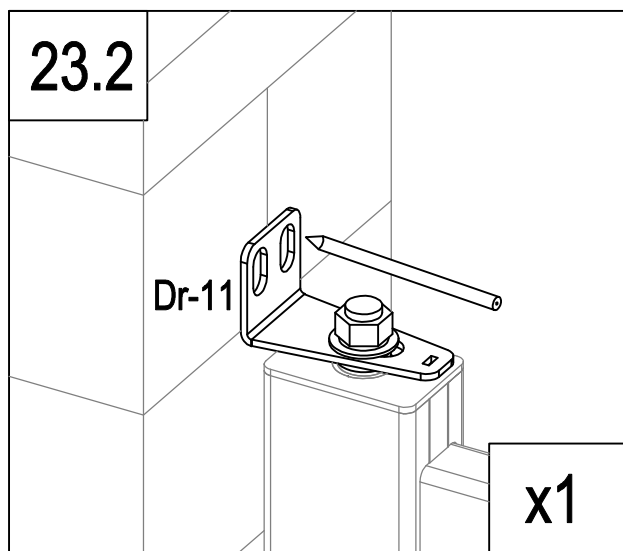
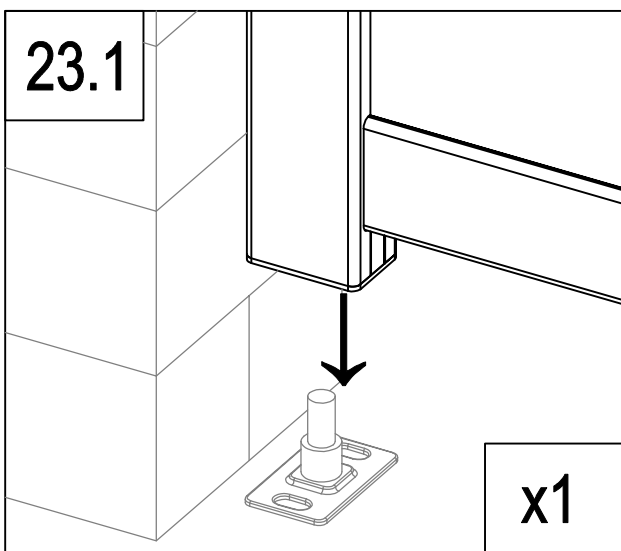
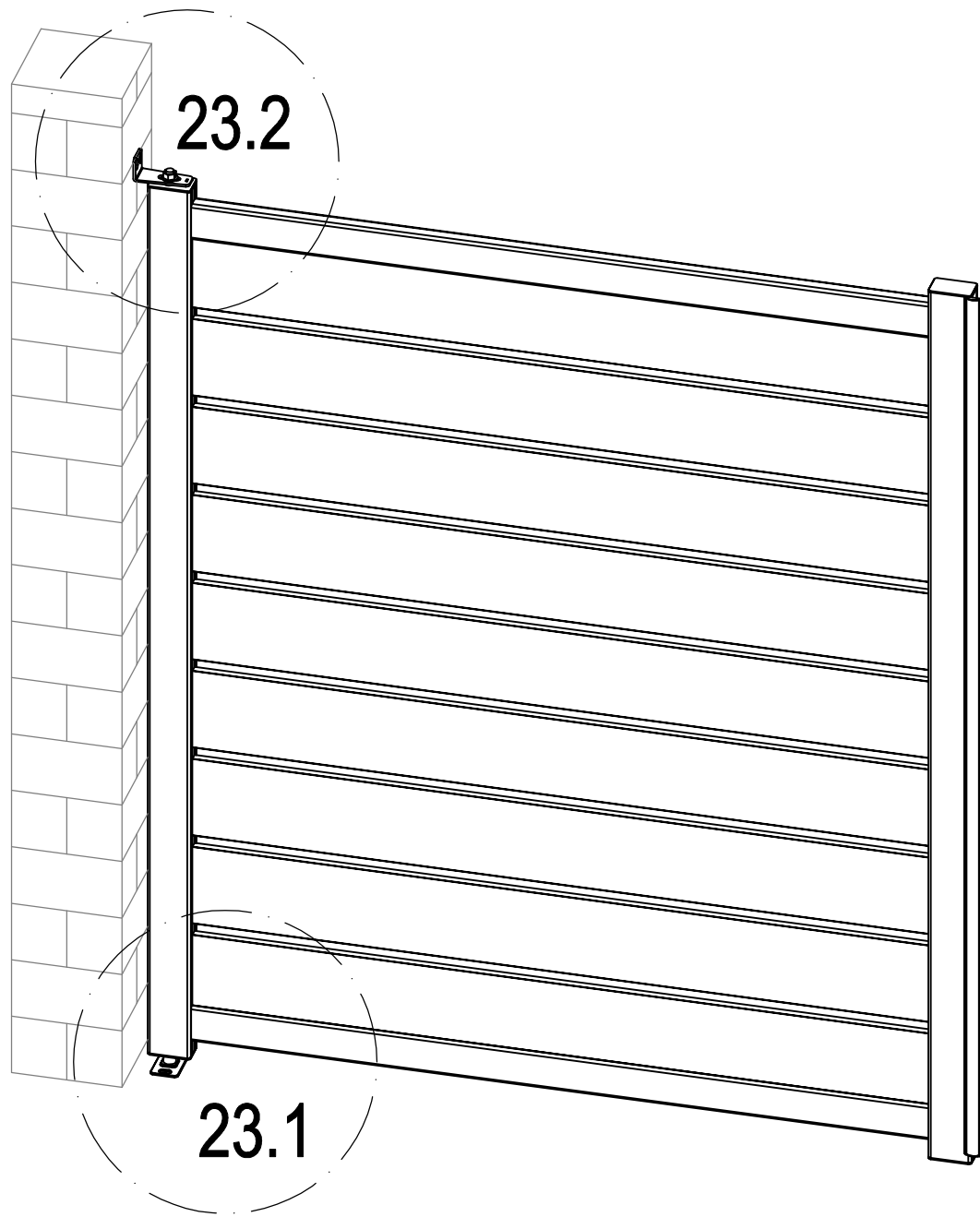


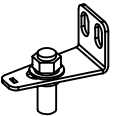

	Dr-20	1
	Dr-21	1
	Dr-22	1
	Dr-25	1

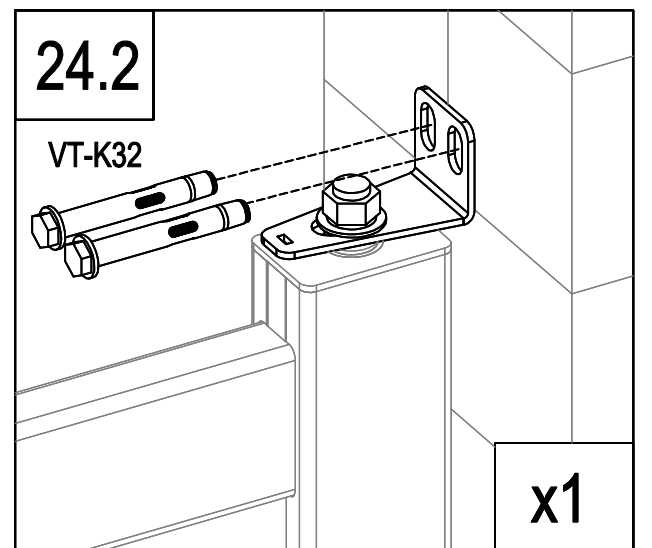
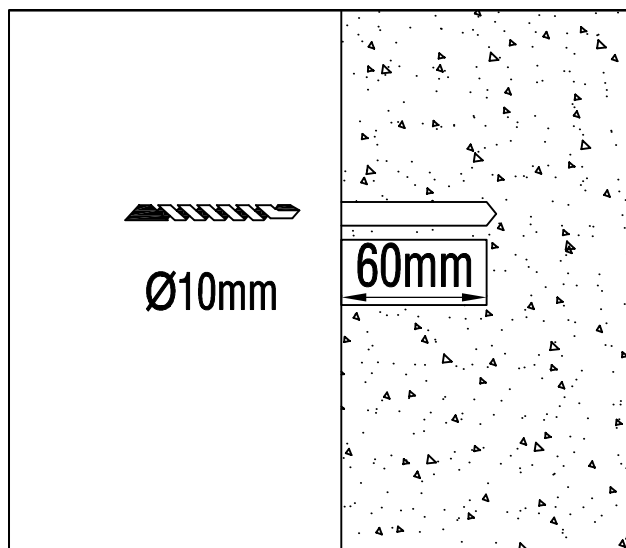
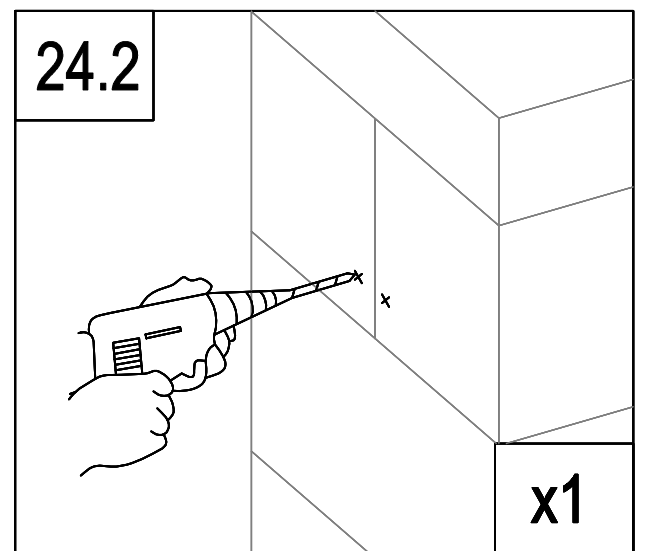
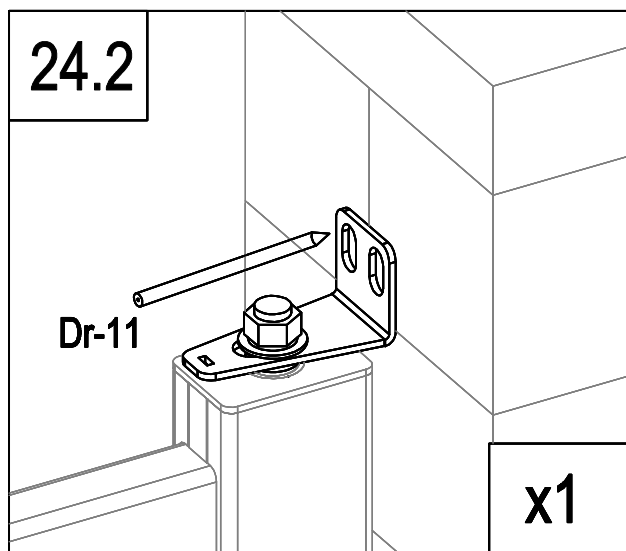
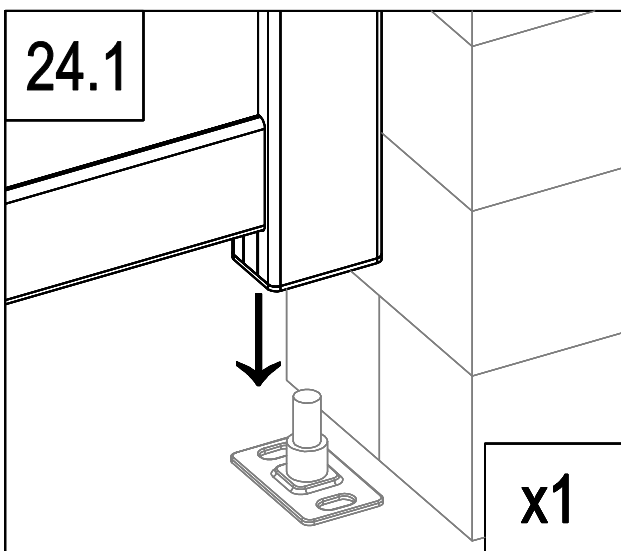
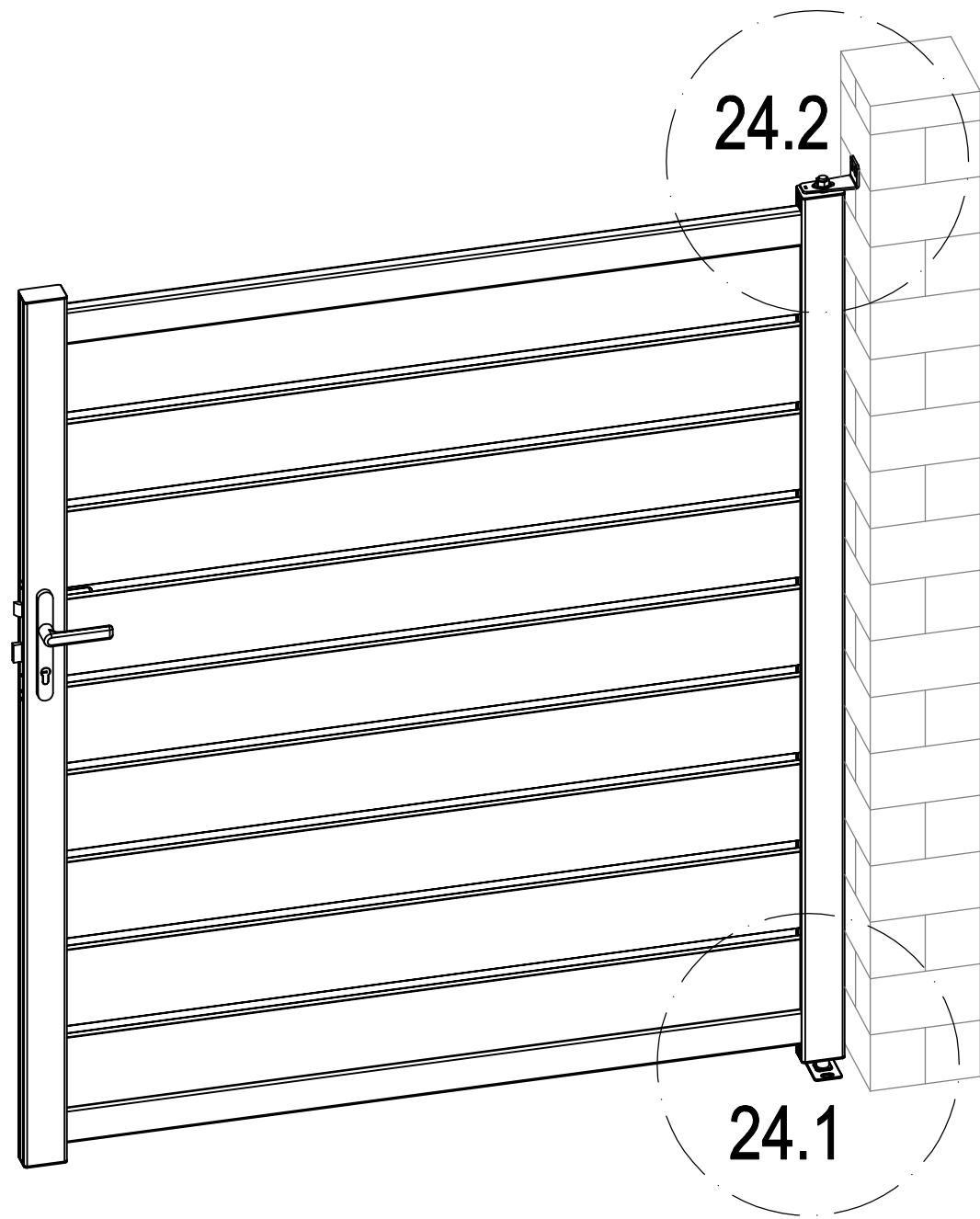
	Dr-18	1
	Dr-19	1
	Dr-25a	2
	Dr-27	2

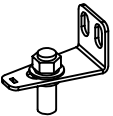



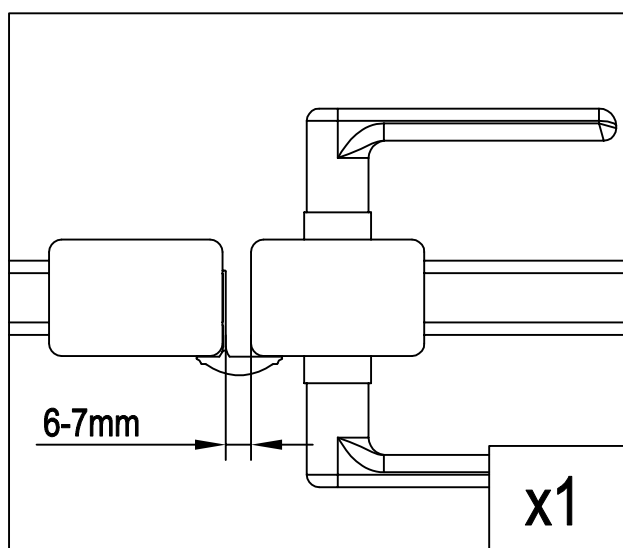
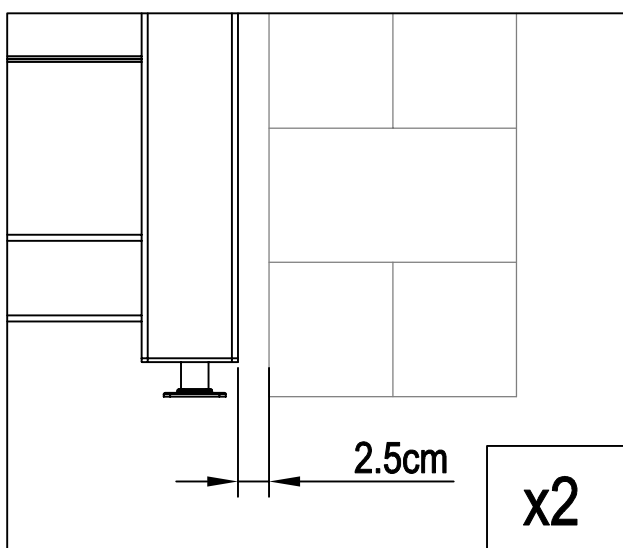
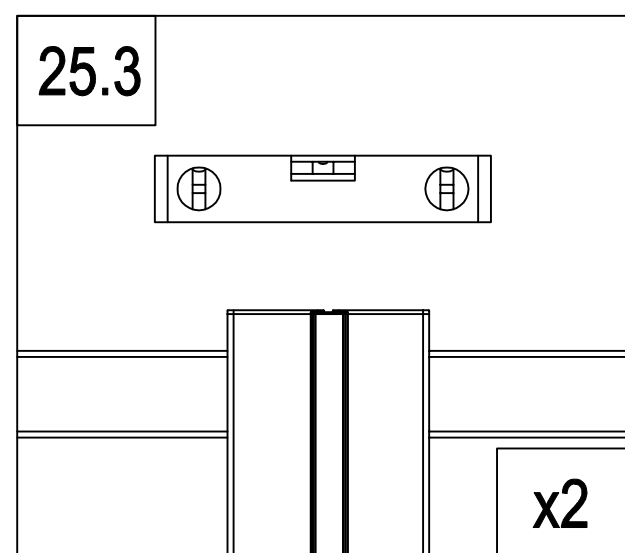
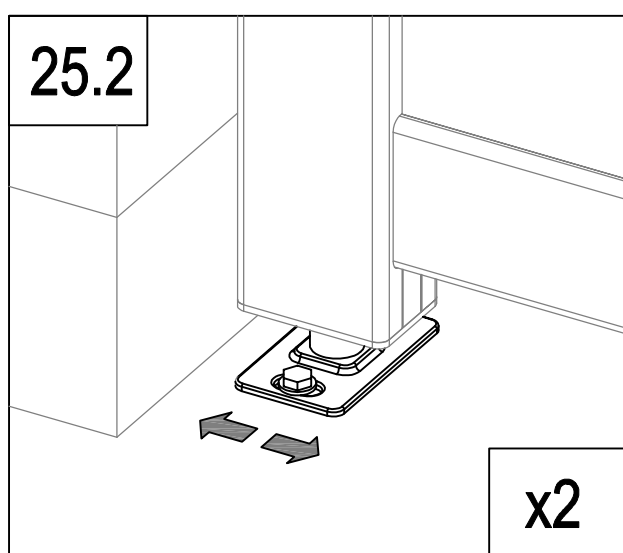
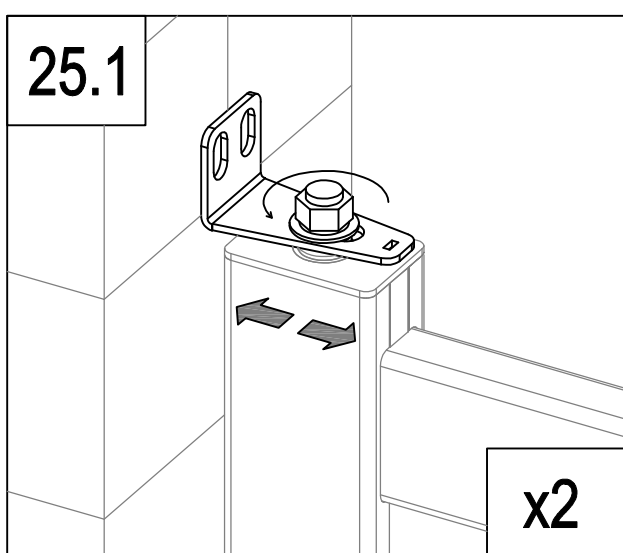
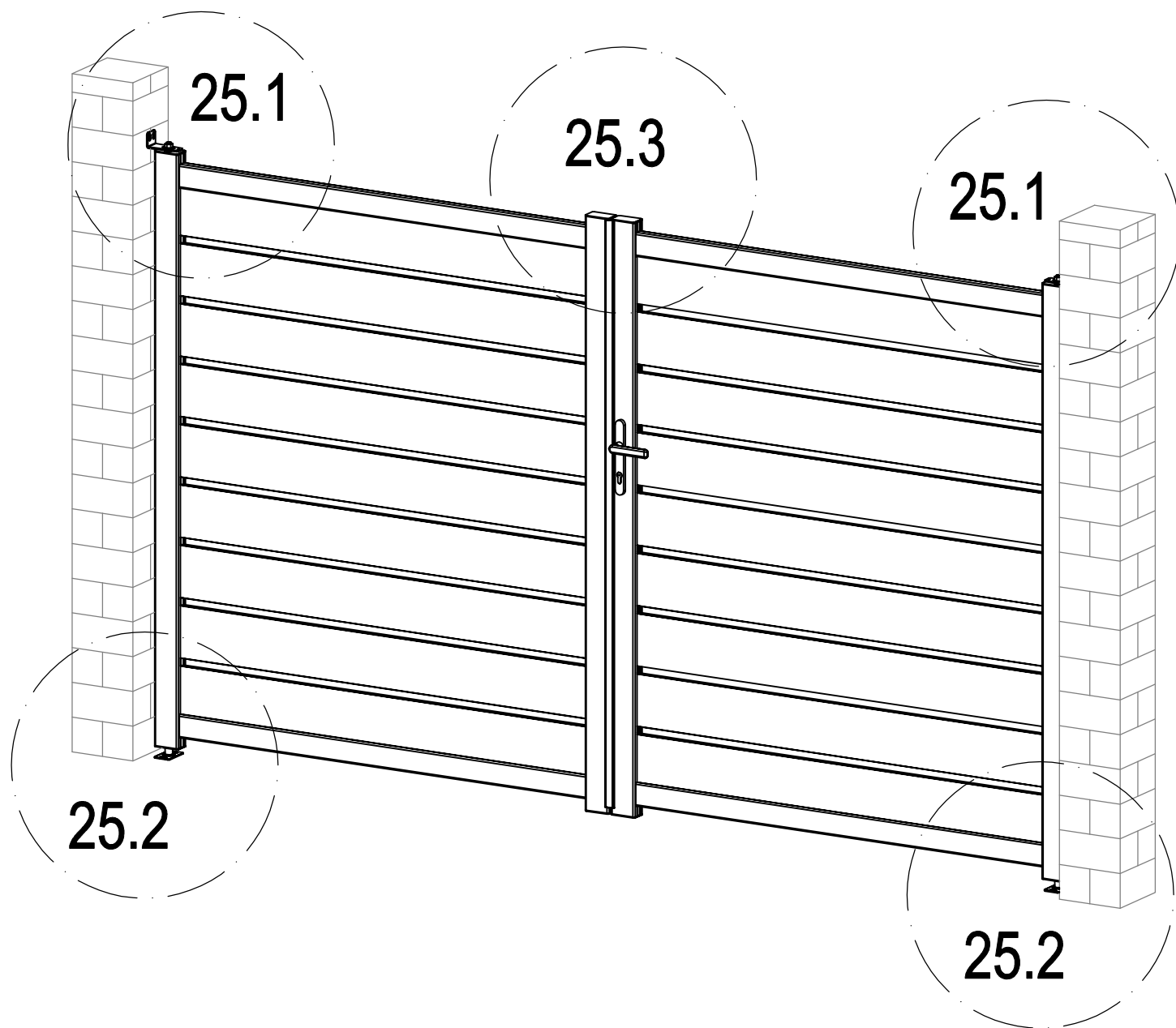
	Dr-12	2
	VT-K32	4

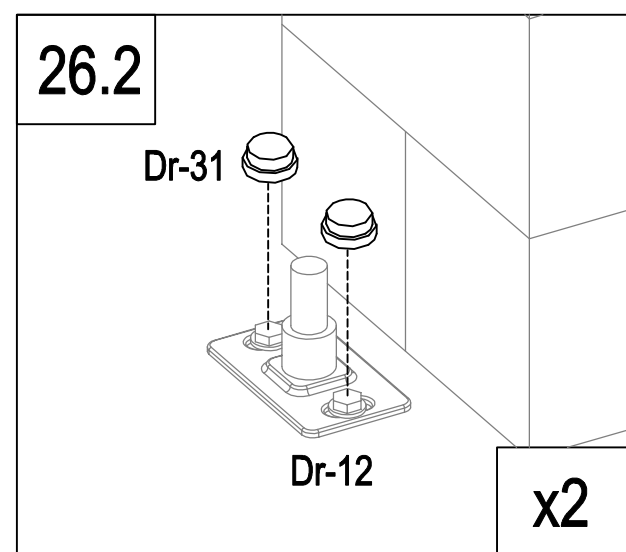
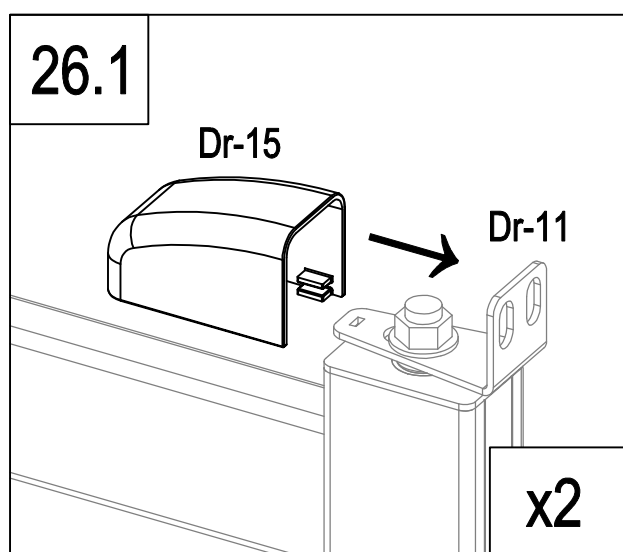
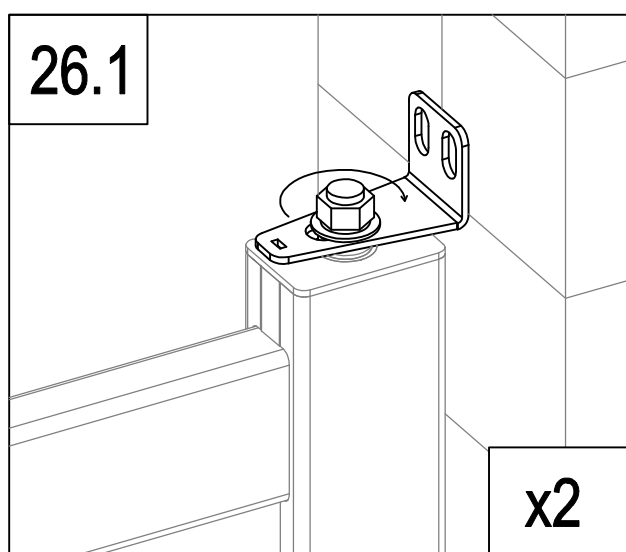
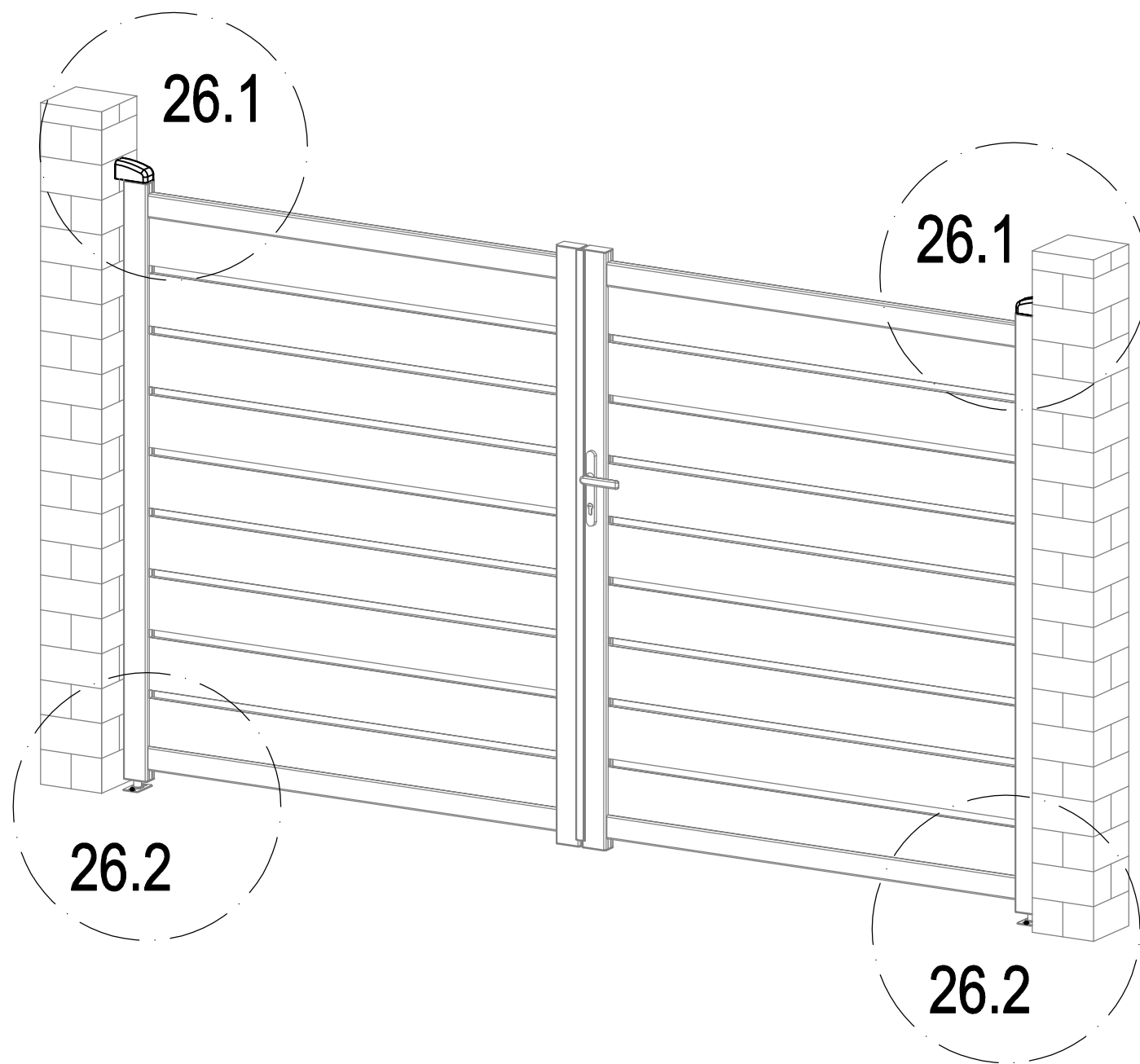


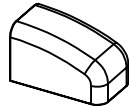

	Dr-11	1
	VT-K32	2

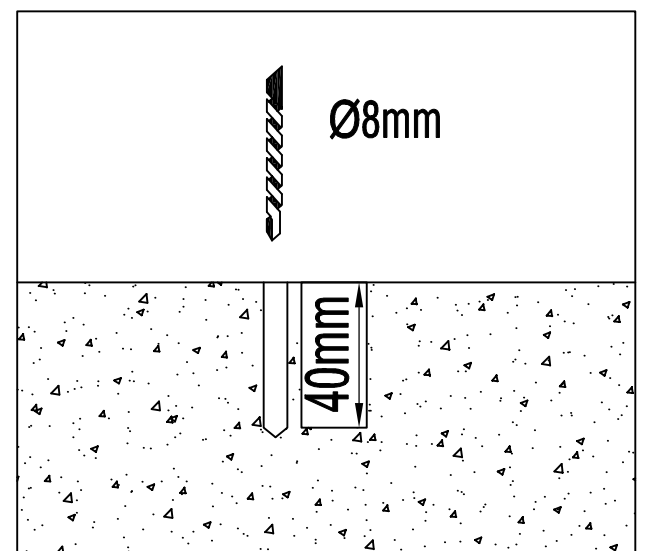
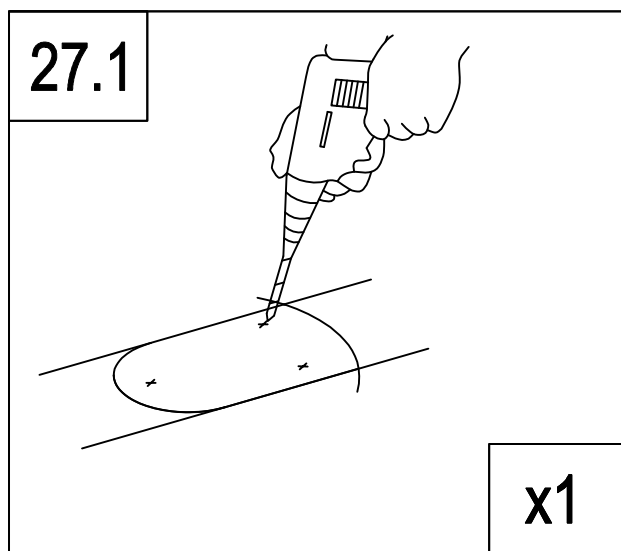
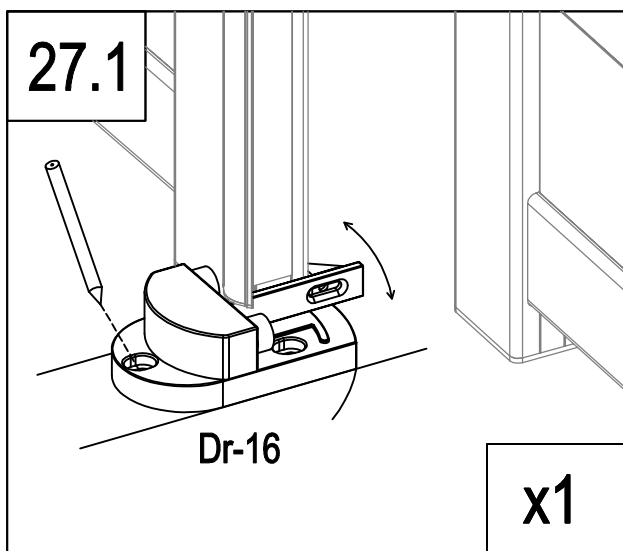
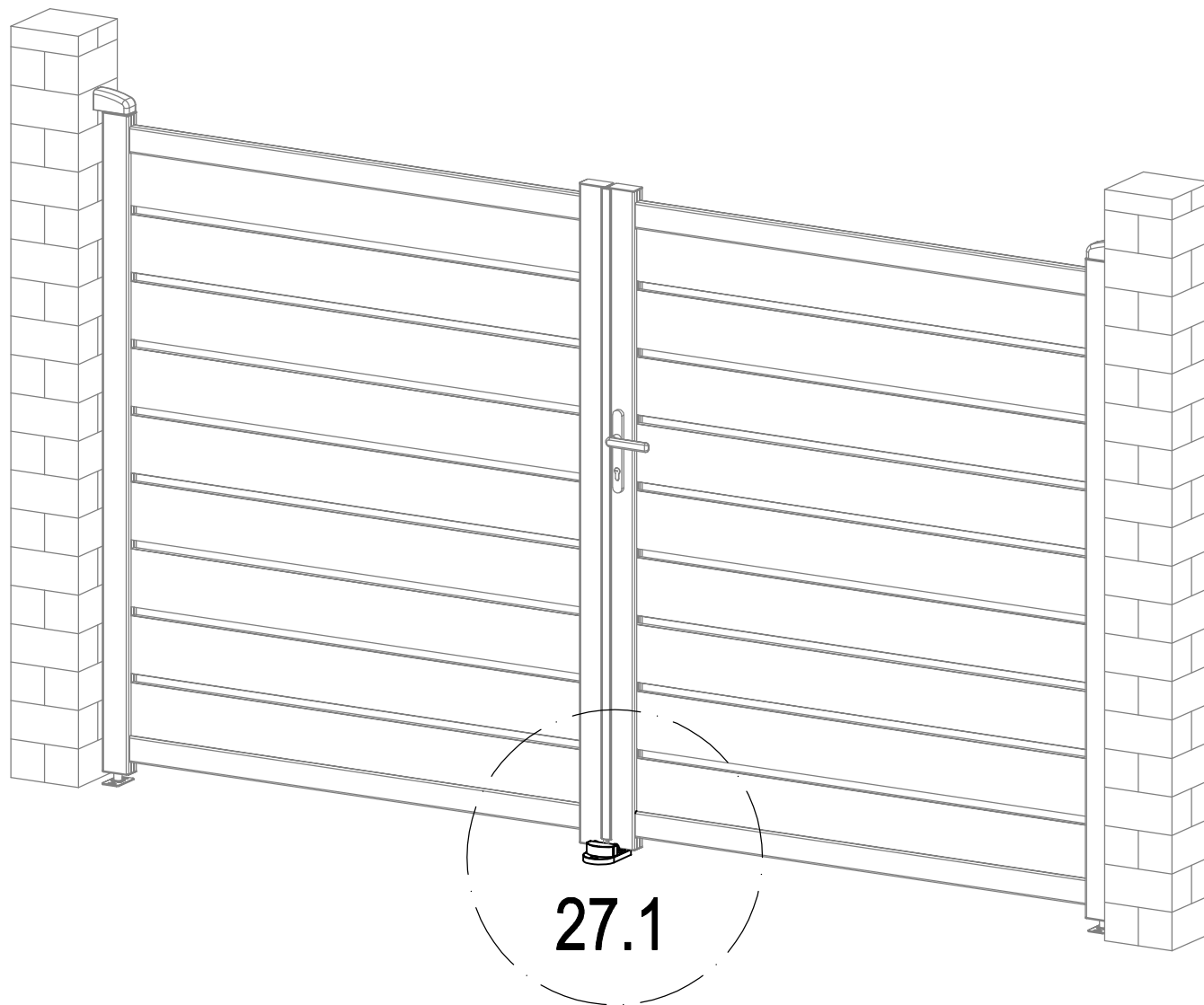


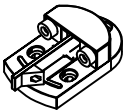


	Dr-11	1
	VT-K32	2

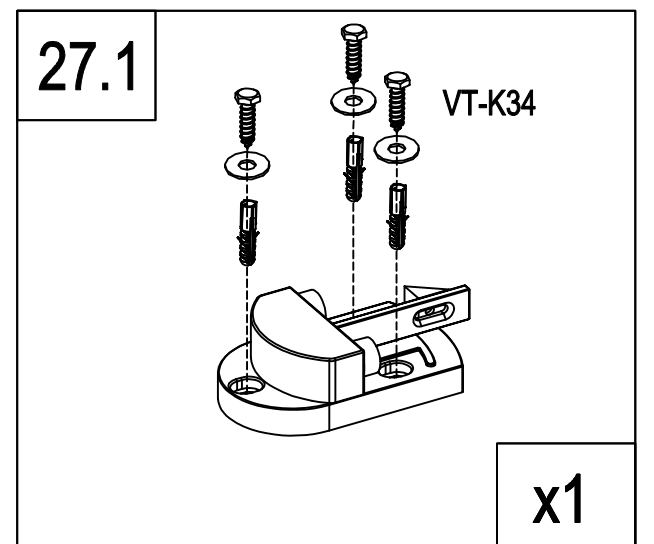




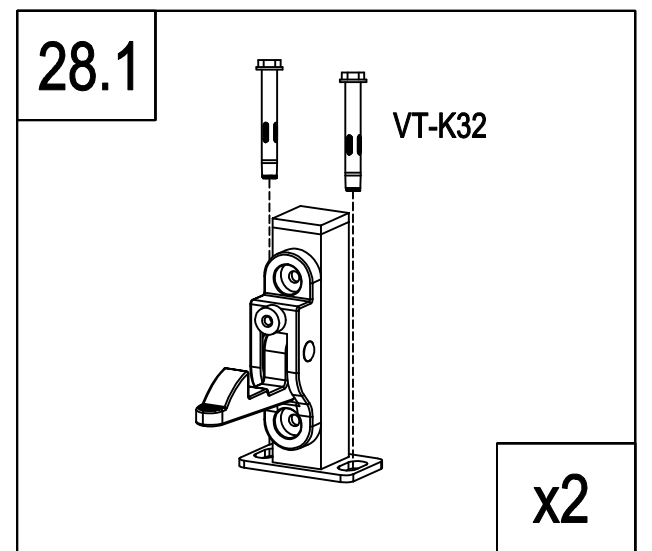
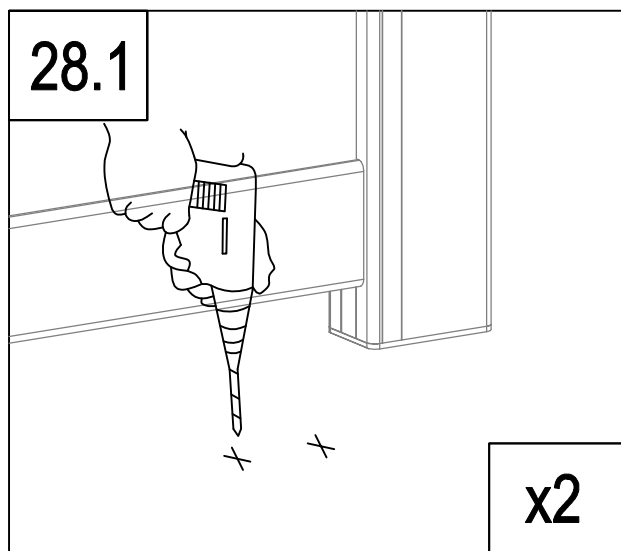
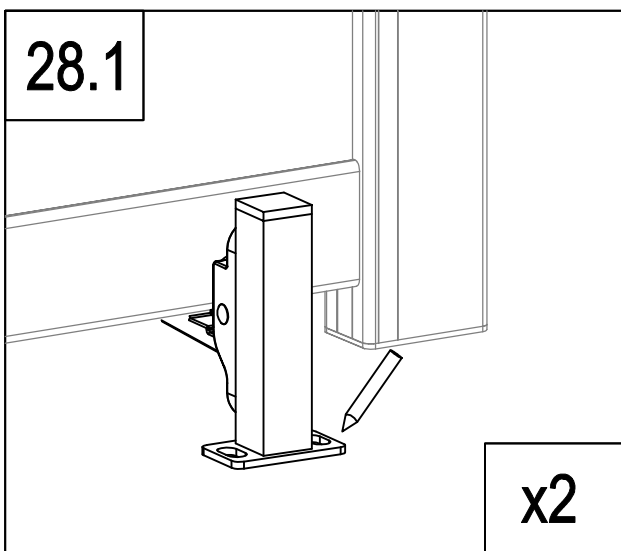
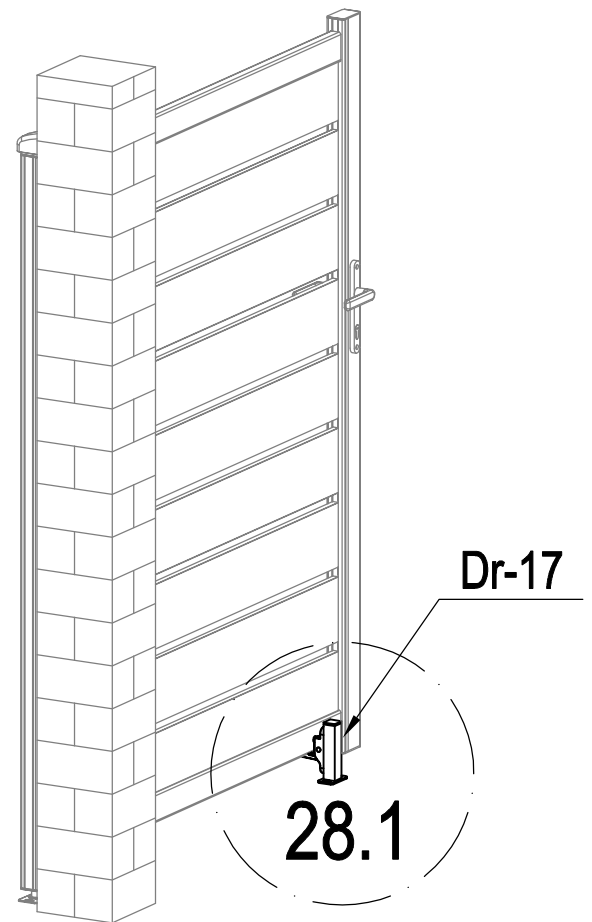
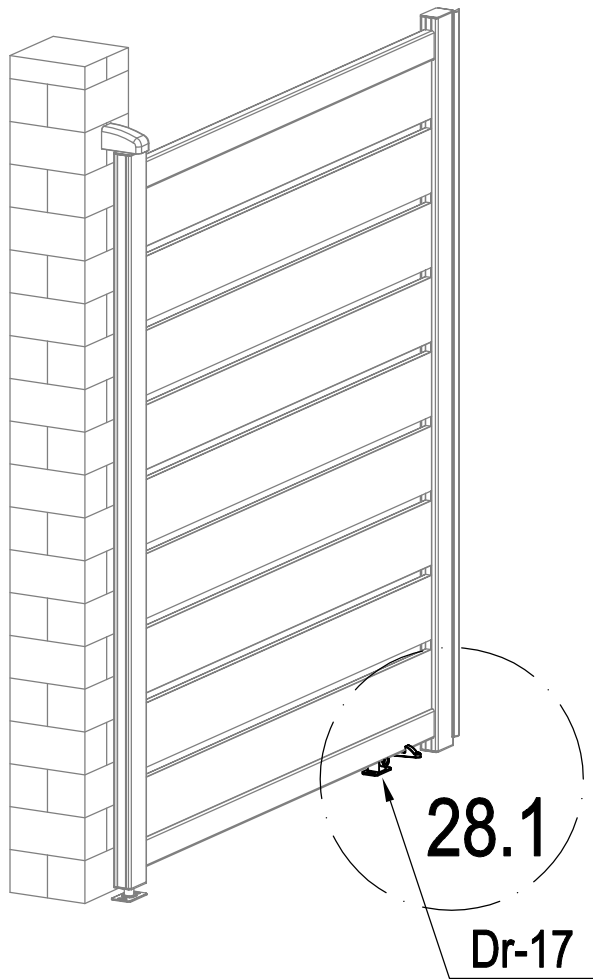
	Dr-15	2
	Dr-31	4





	Dr-16	1
	VT-K34	3
	VT-K35	3







	VT-K32	4
	Dr-17	2