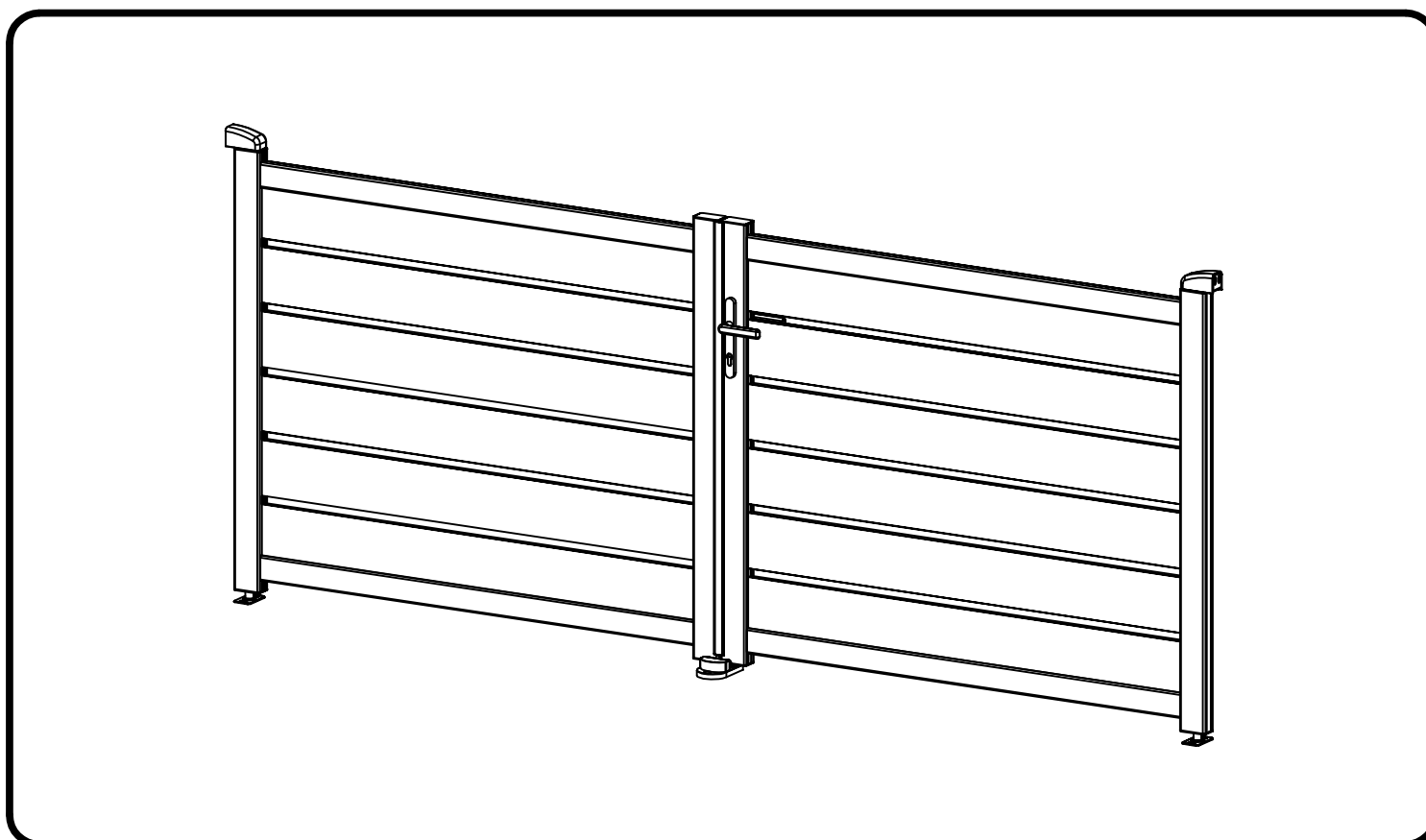


# CASANOV

## VOGEL 300B120



7-8H



x2

COM-000210

[x1]

COM-000211

[x1]

FR

EN

ES

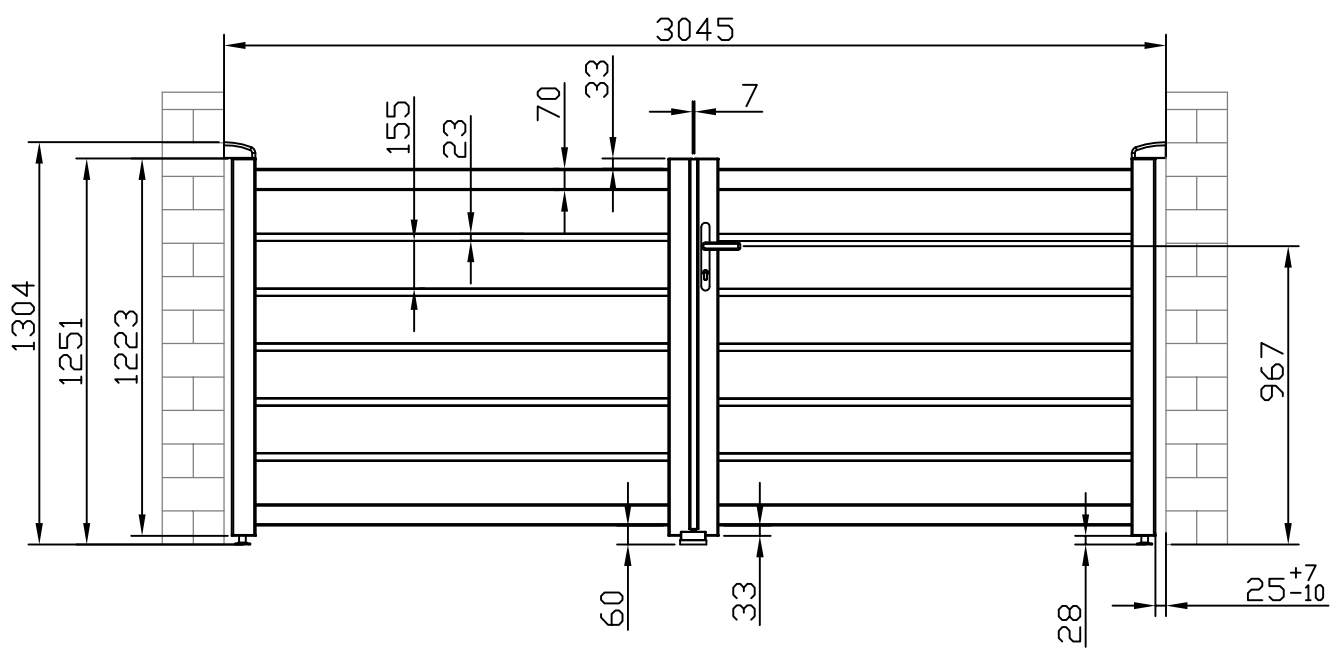
DE

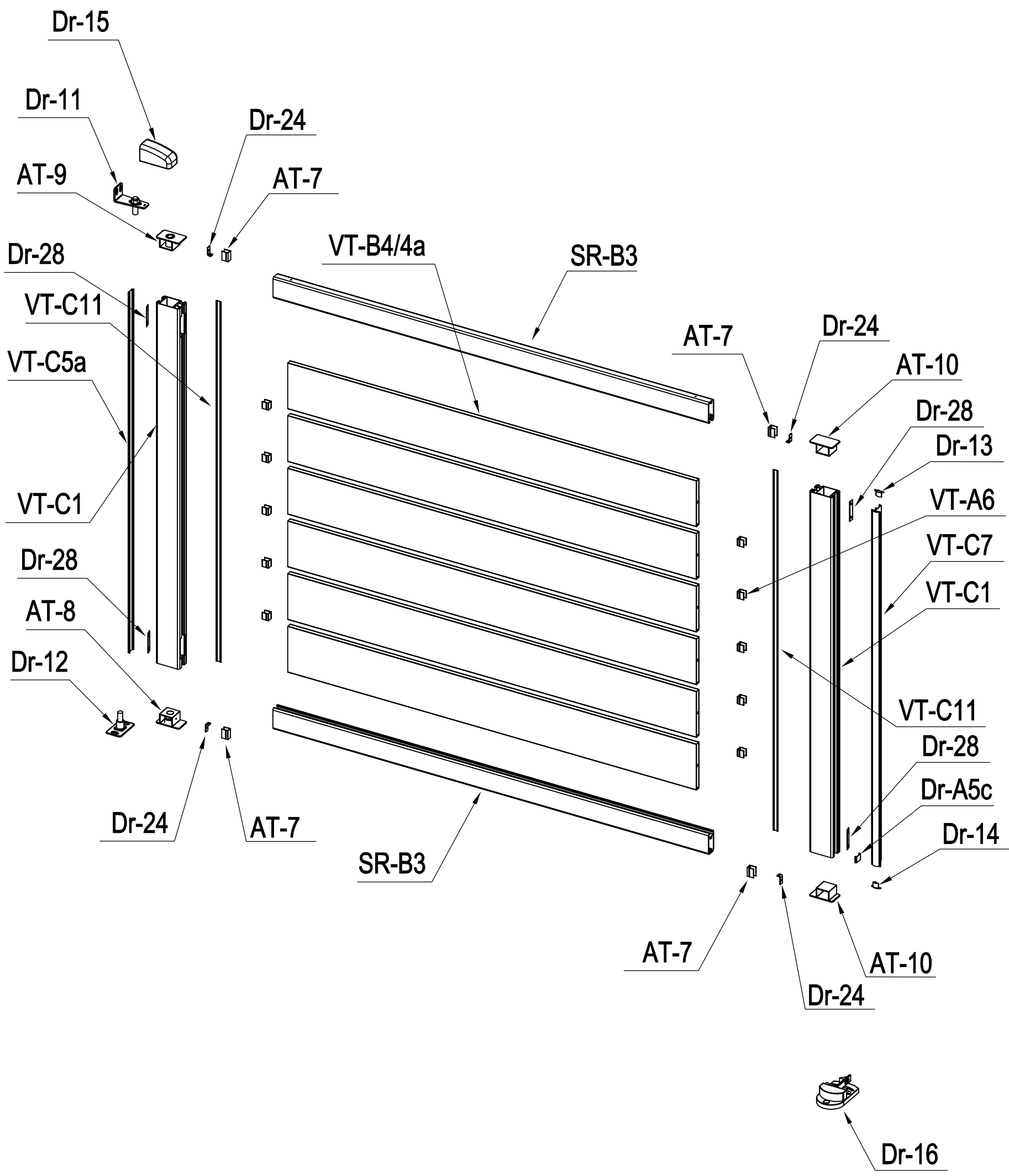
IT

NL

PL

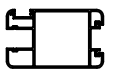
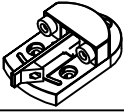
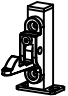
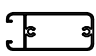

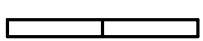
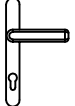

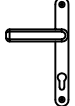
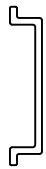




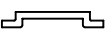
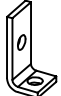
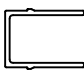




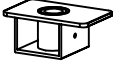





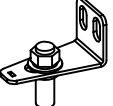

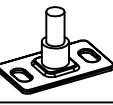
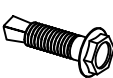




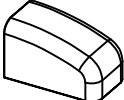




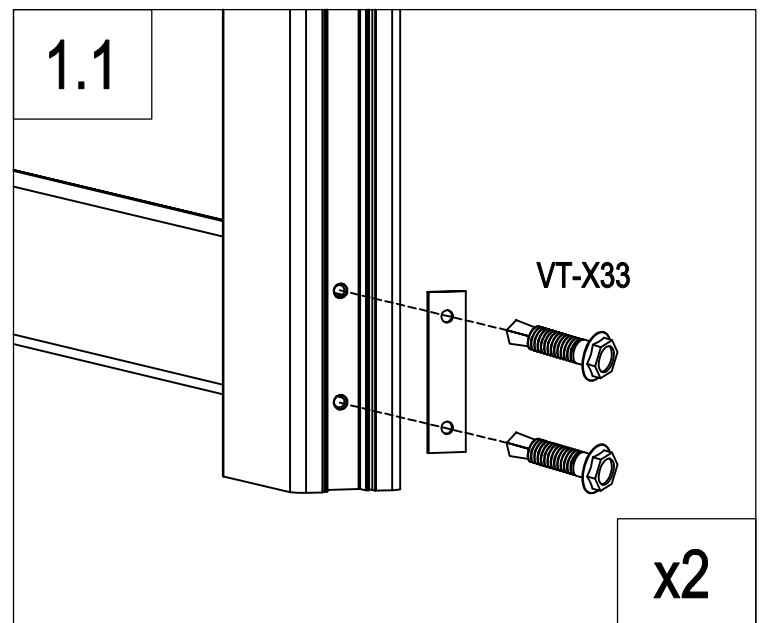
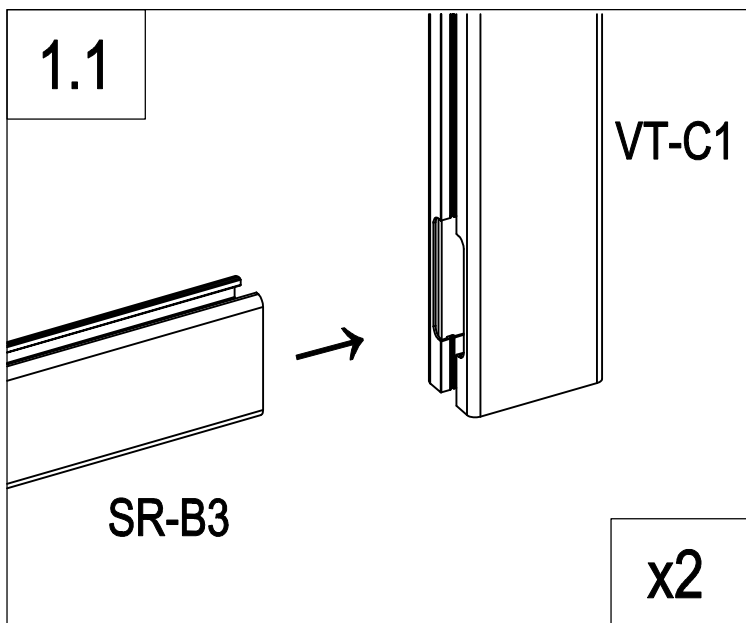
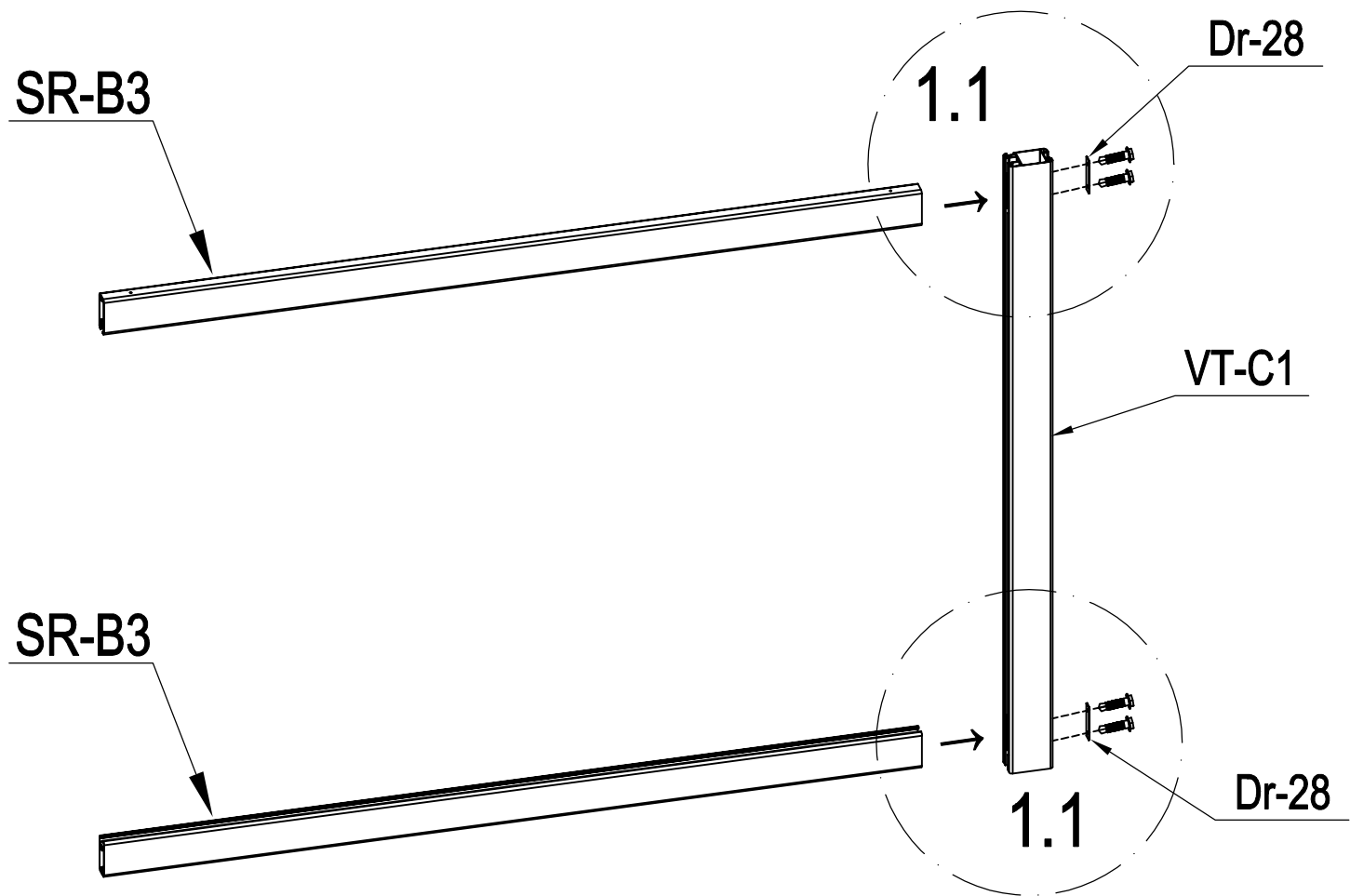


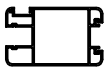
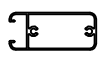




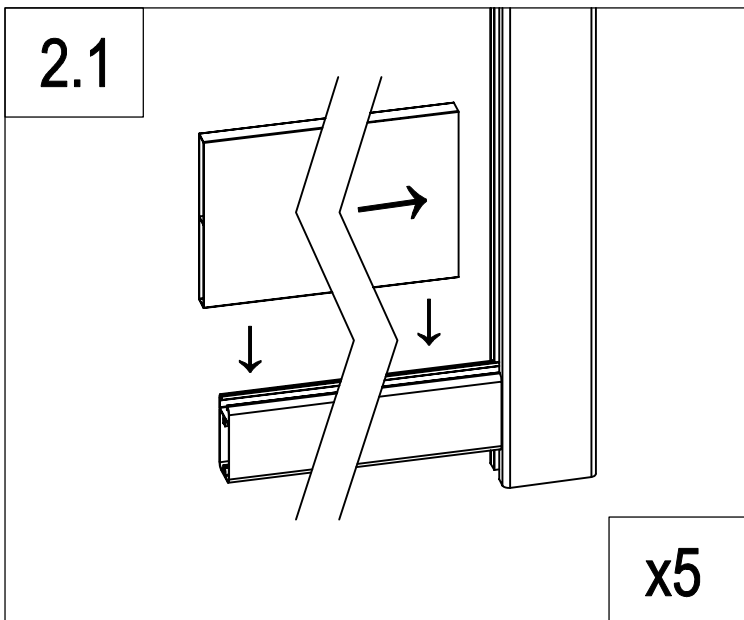
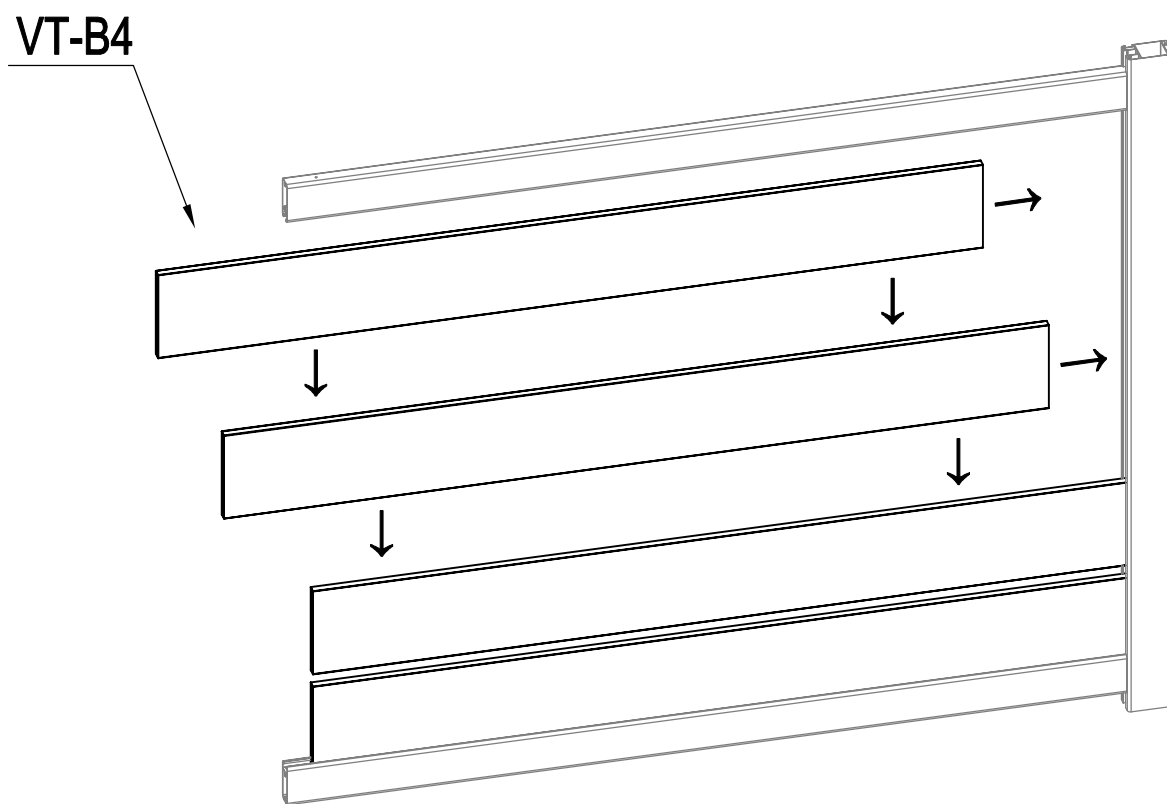


# PART LIST

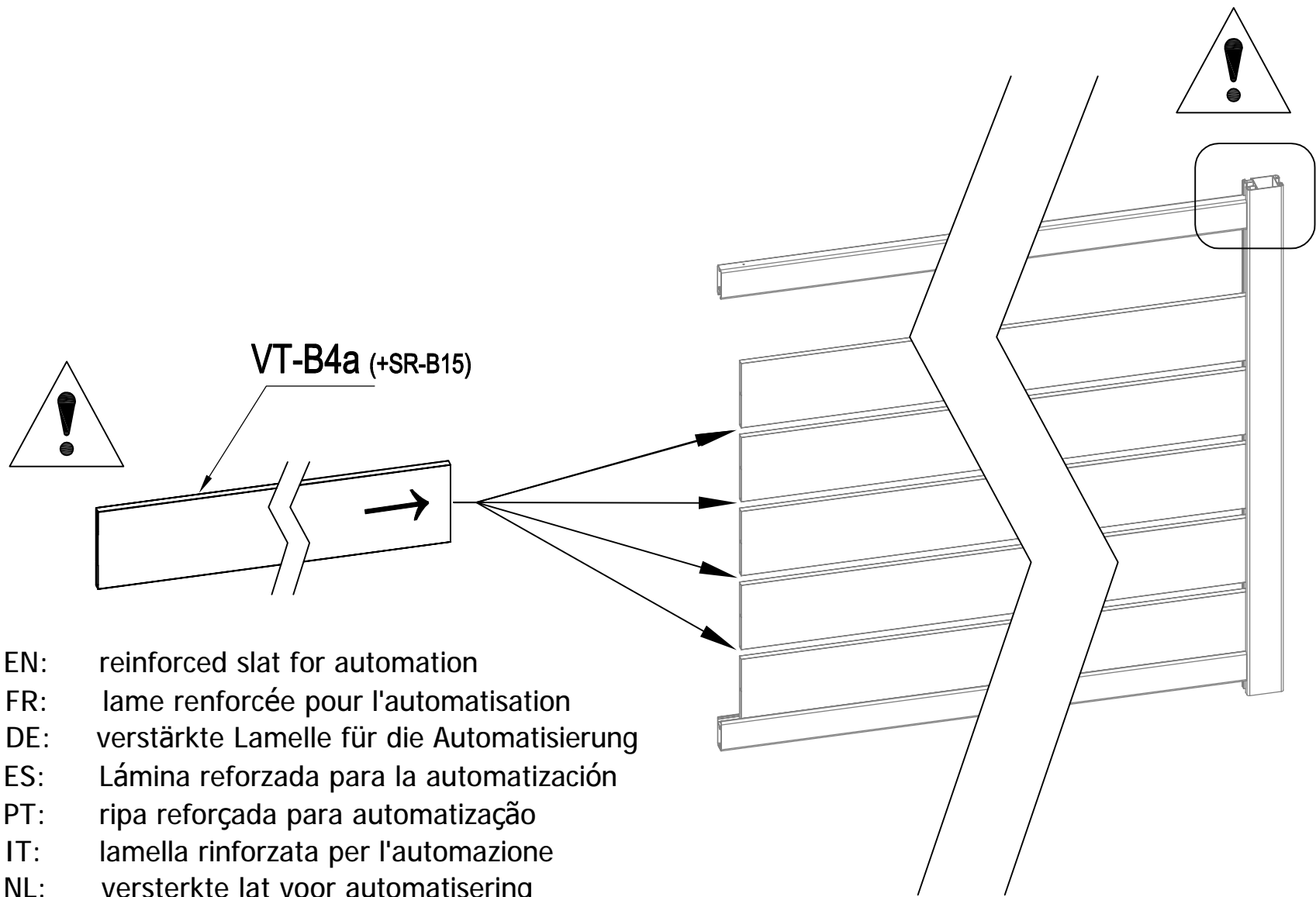
IMAGE	NO.	L.(mm)	QTY	IMAGE	NO.	L.(mm)	QTY
	VT-C1	1217	3		Dr-16		1
	VT-C2	1217	1			Dr-17	
	SR-B3	1471	4			Dr-31	
	VT-B4	1380	10		Dr-18		1
	VT-B4a (+SR-B15)	1380	2		Dr-19		1
	VT-C5a	1217	2		Dr-20		1
	VT-C5b	194.5	1		Dr-21		1
	SR-A5a	782	1		Dr-22		1
	Dr-A5c	19.5	1		Dr-23		1
	VT-C11	1217	4		Dr-24		8
	VT-A6	23	20		Dr-25		1
	AT-7	29.5	8		Dr-25a		2
	VT-C7	1197	1		Dr-26		3
	AT-8		2		Dr-27		2
	AT-9		2		VT-X30		8
	AT-10		4		VT-X31		8
	Dr-11		2		VT-X32		12
	Dr-12		2		VT-X33		16
	Dr-13		1		VT-X34		3
	Dr-14		1		VT-X35		3
	Dr-15		2		VT-X36		48
					Dr-28		8



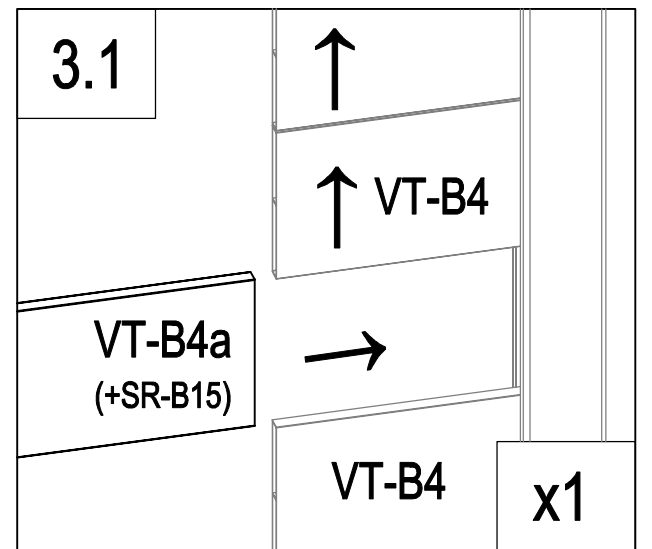
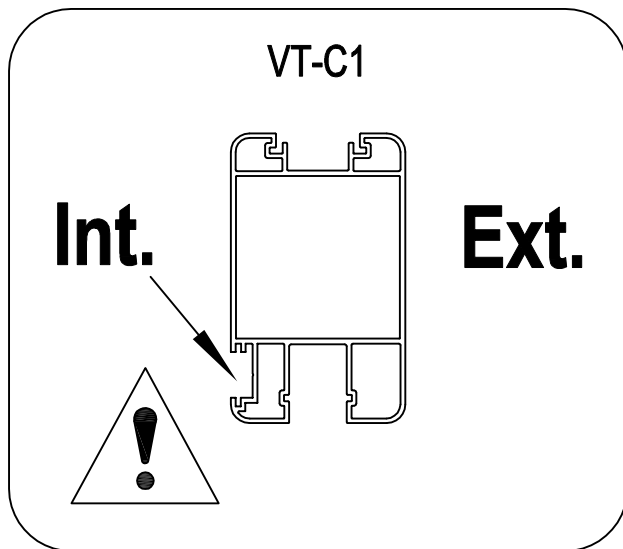
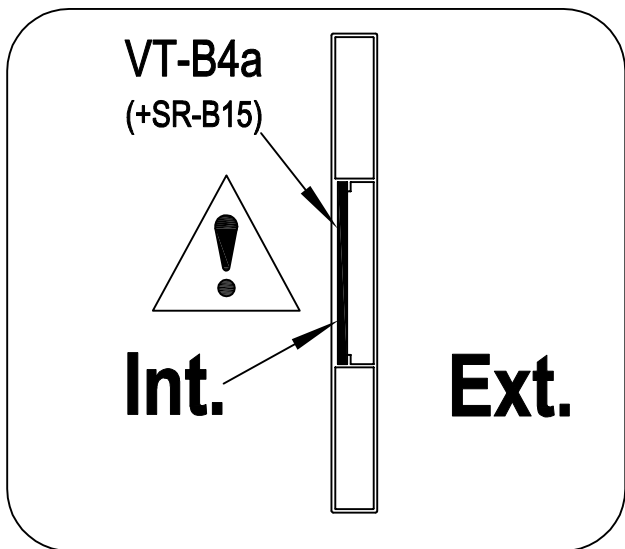
	VT-C1	1
	SR-B3	2
	Dr-28	2
	VT-X33	4




	VT-B4	5
---	-------	---

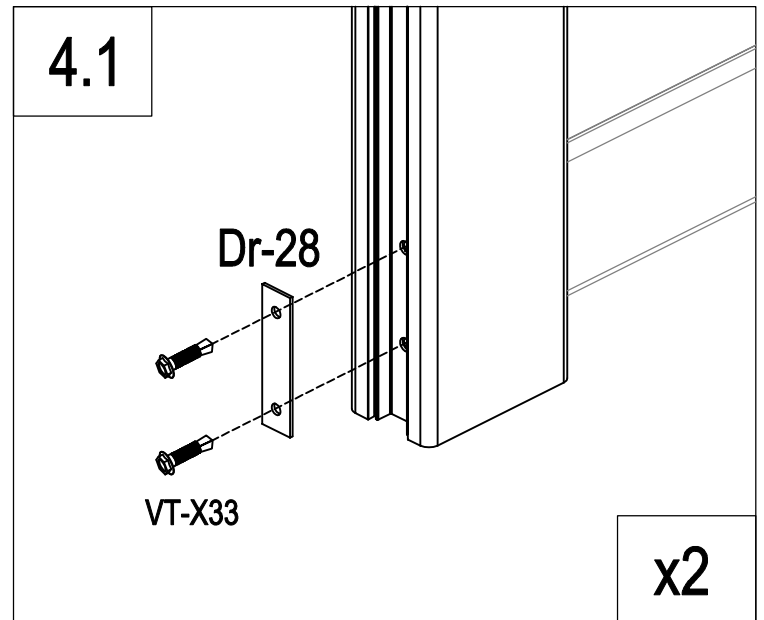
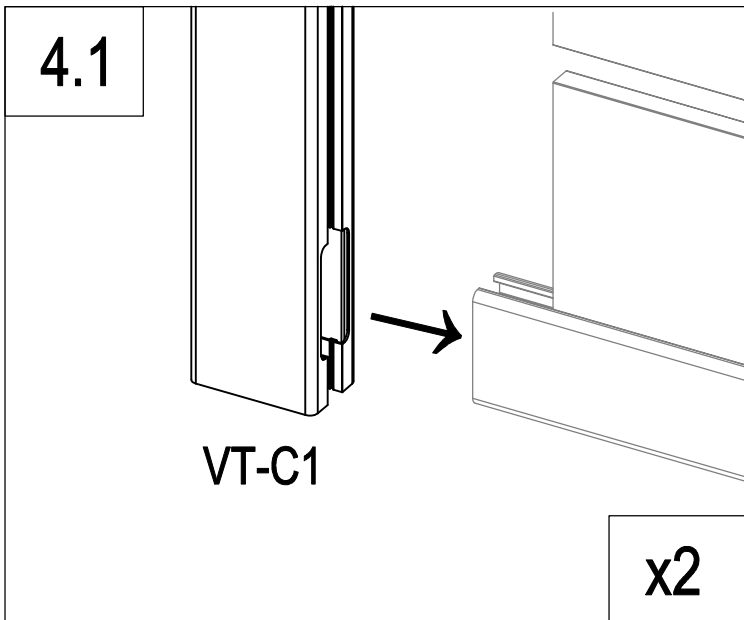
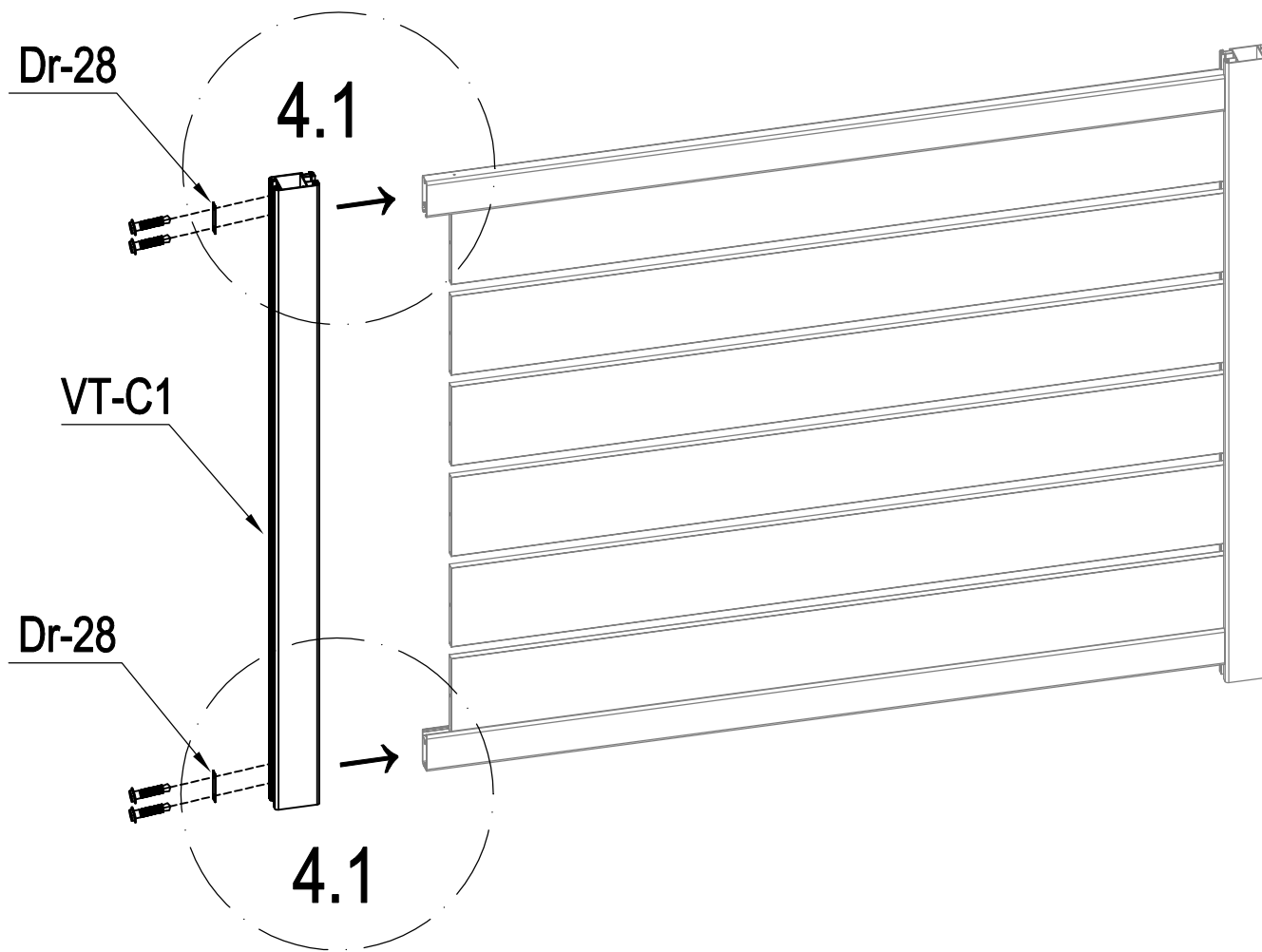


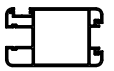

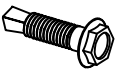
- EN: reinforced slat for automation
- FR: lame renforcée pour l'automatisation
- DE: verstärkte Lamelle für die Automatisierung
- ES: Lámina reforzada para la automatización
- PT: ripa reforçada para automatização
- IT: lamella rinforzata per l'automazione
- NL: versterkte lat voor automatisering
- PL: wzmocniona listwa do automatyzacji

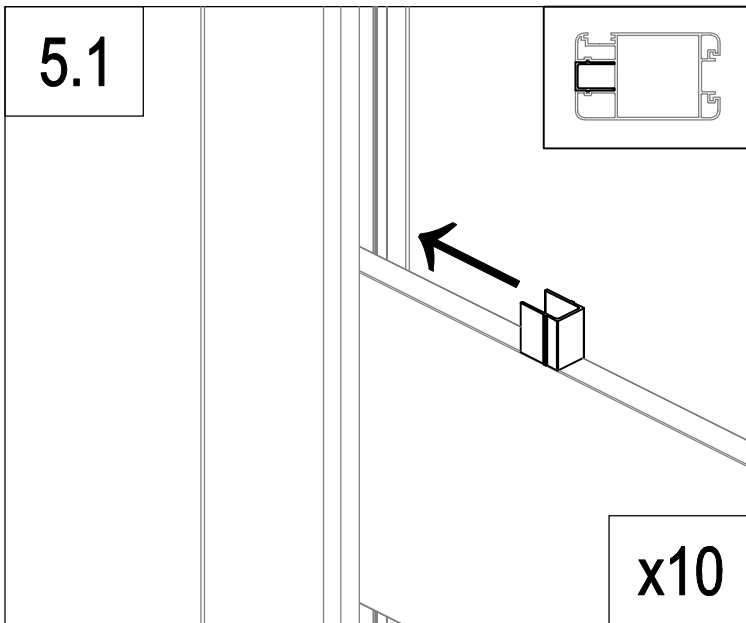
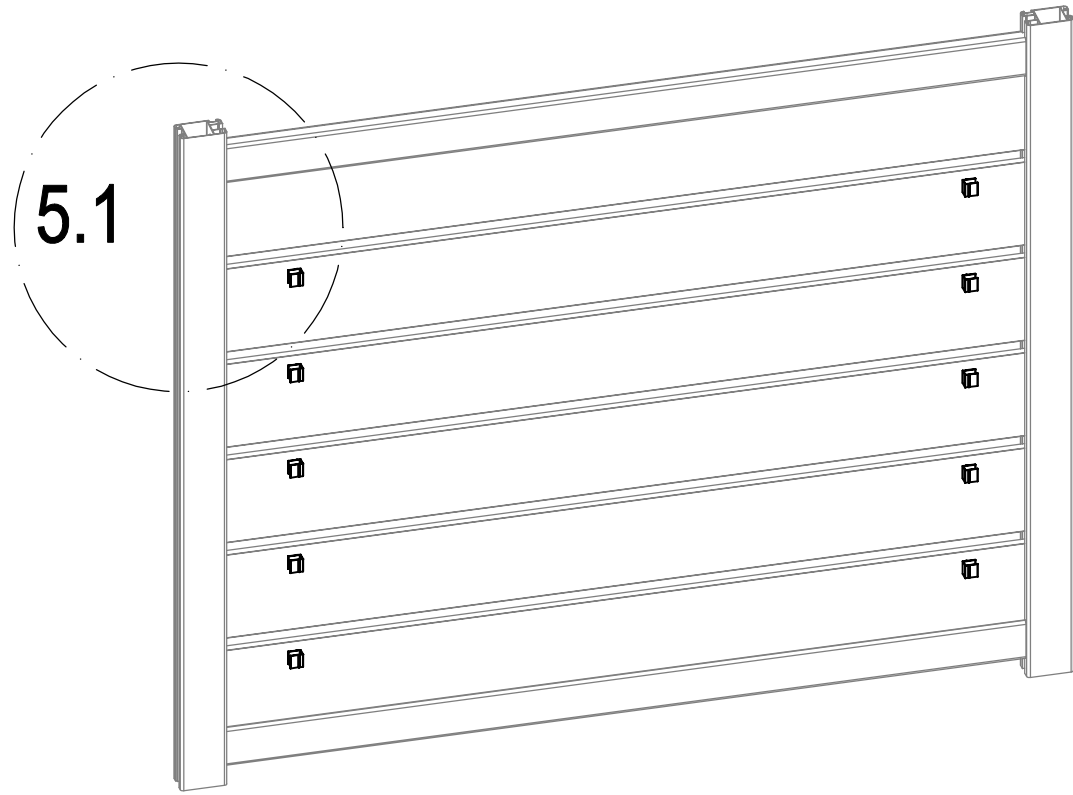


	VT-B4a (+SR-B15)	1
---	------------------	---

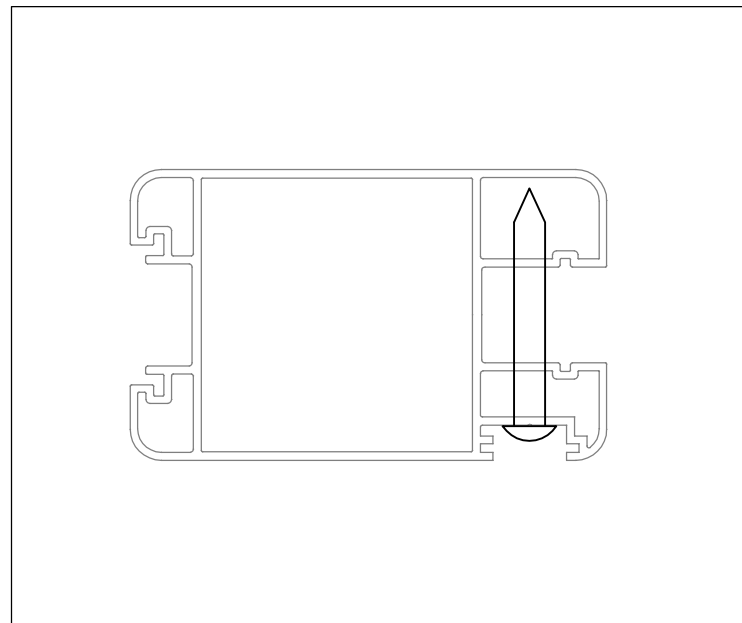
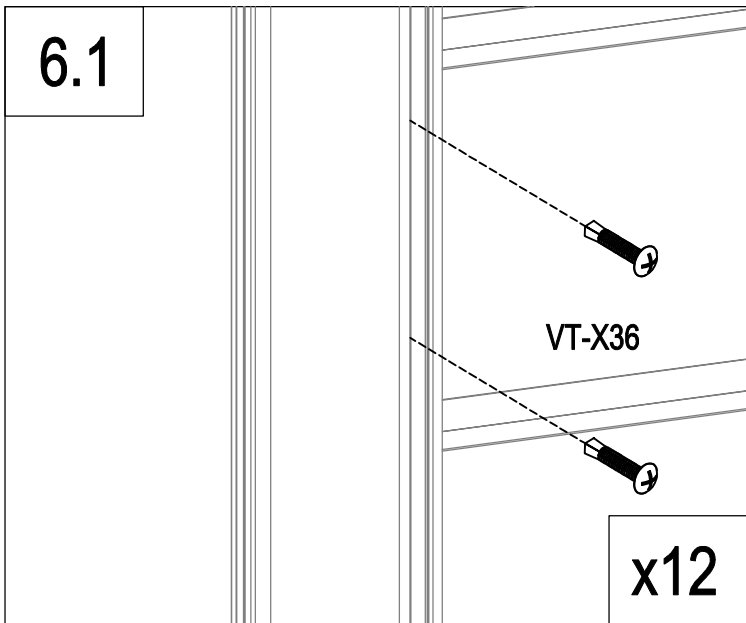
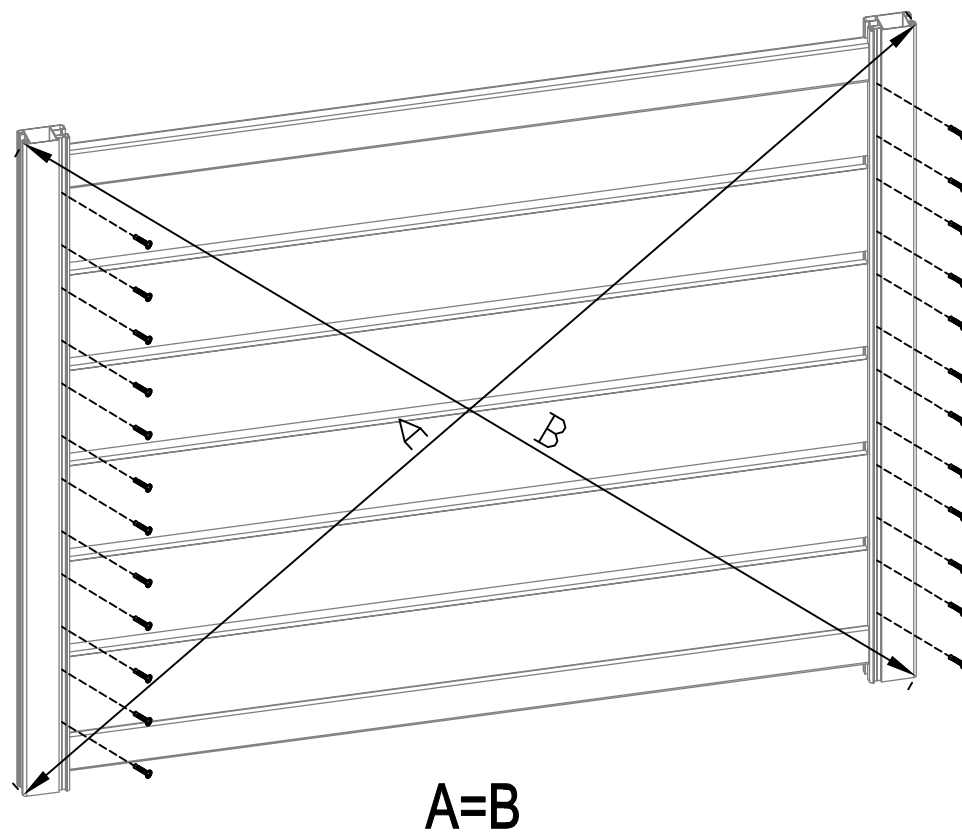
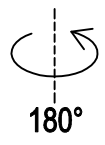





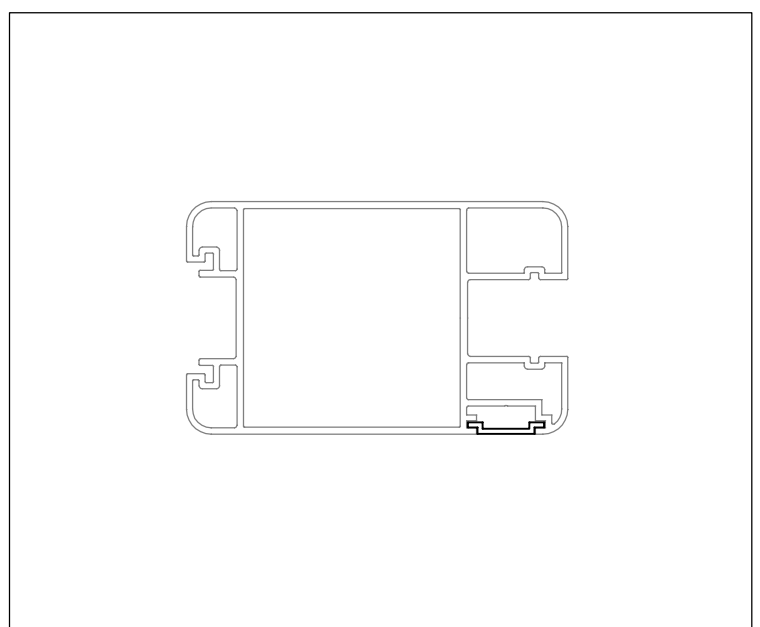
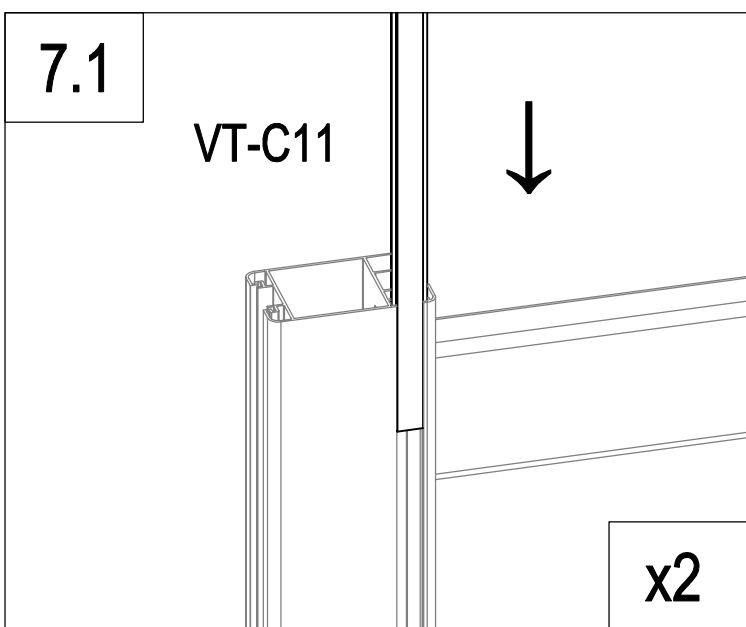
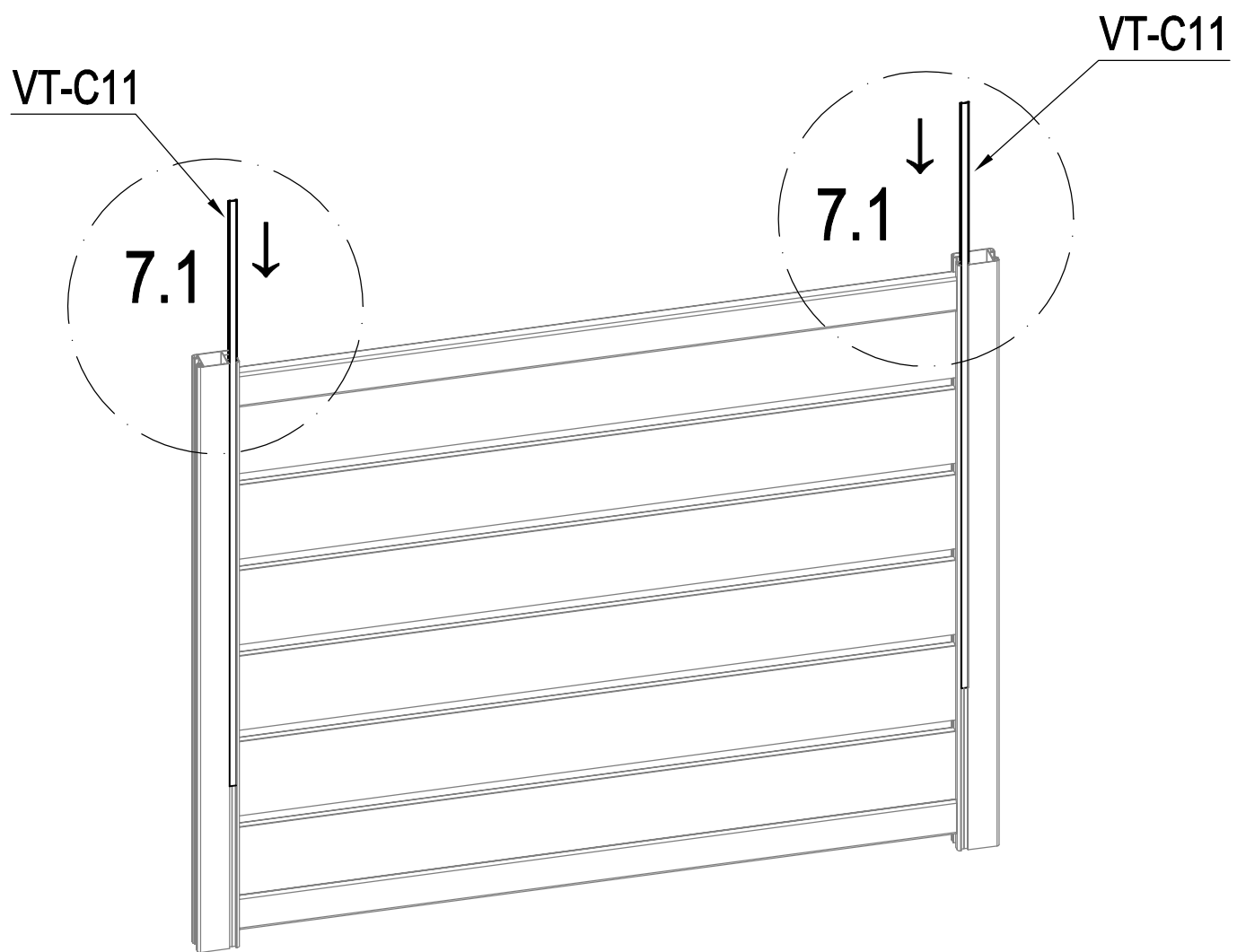
	VT-C1	1
	Dr-28	2
	VT-X33	4

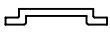


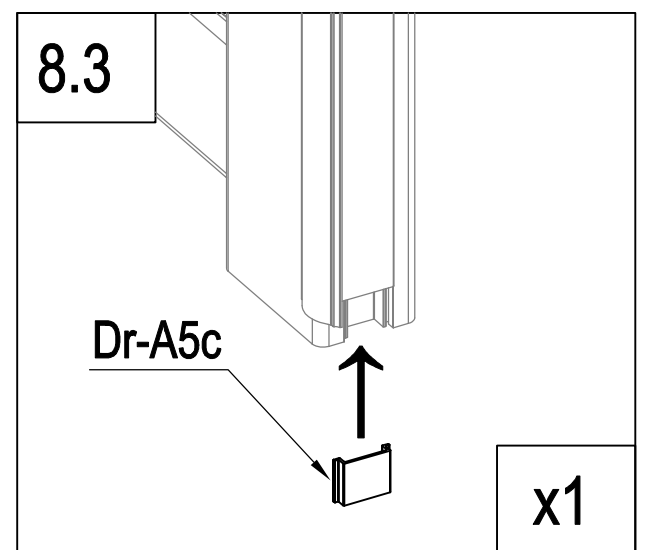
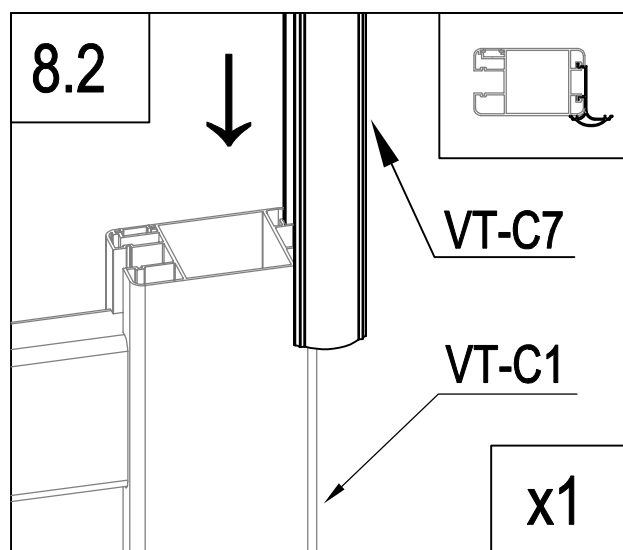
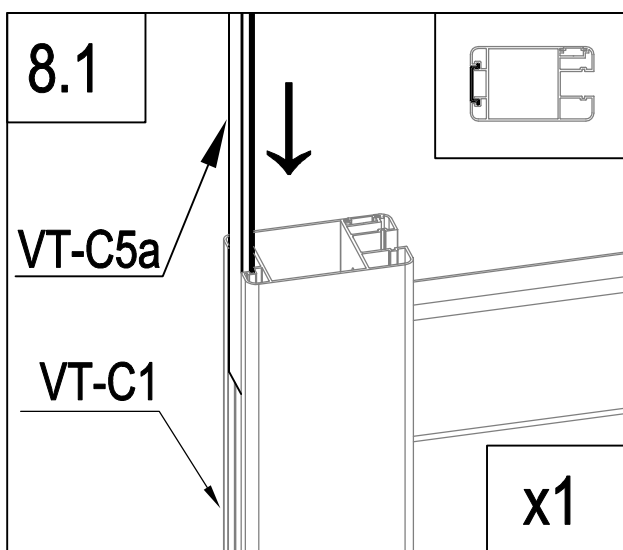
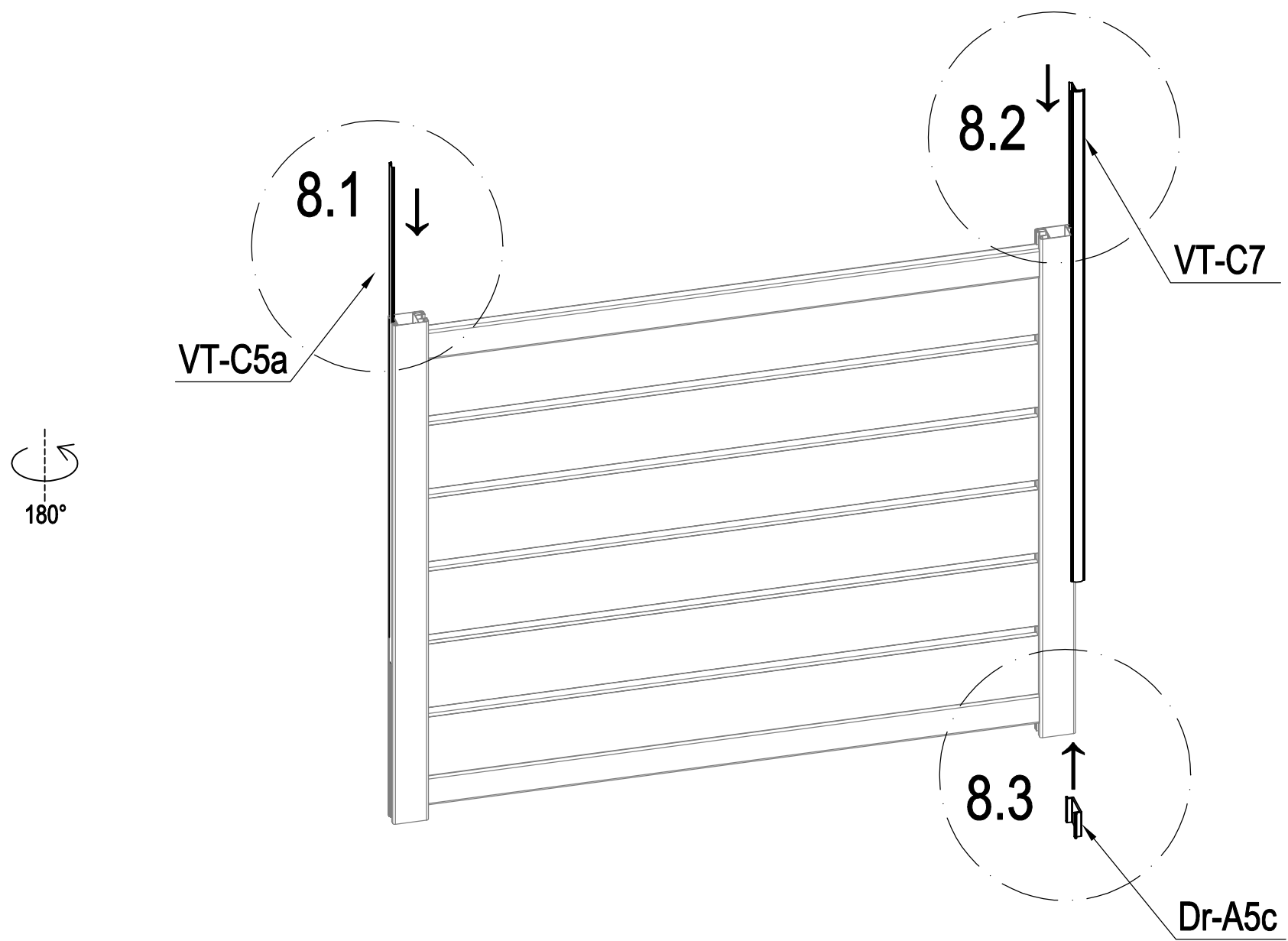
	VT-A6	10
---	-------	----

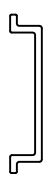
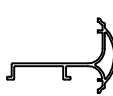


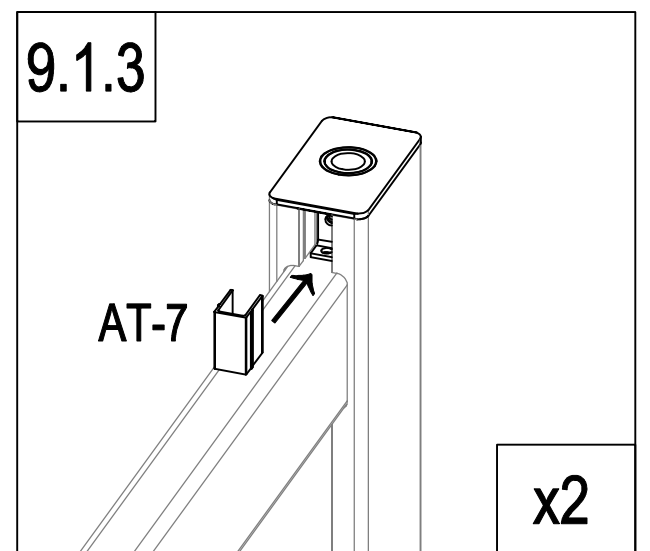
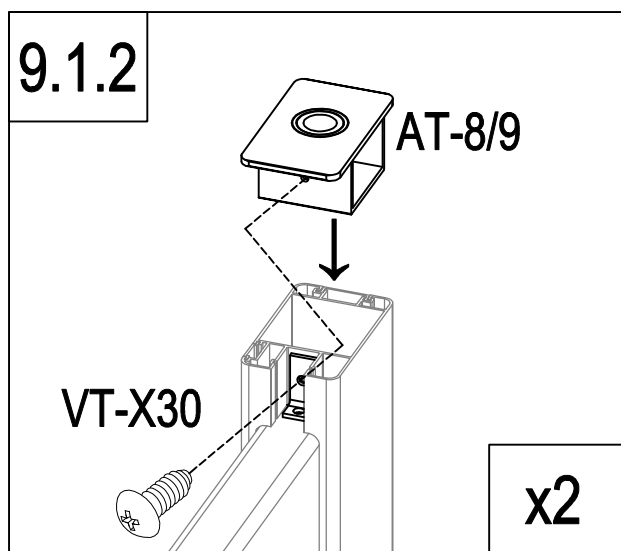
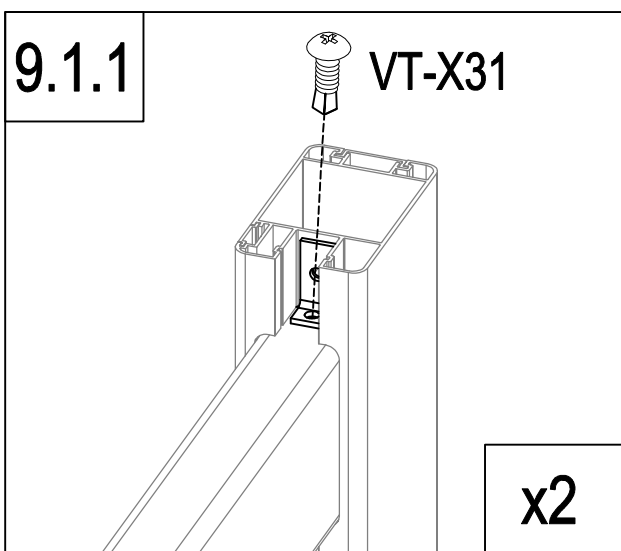
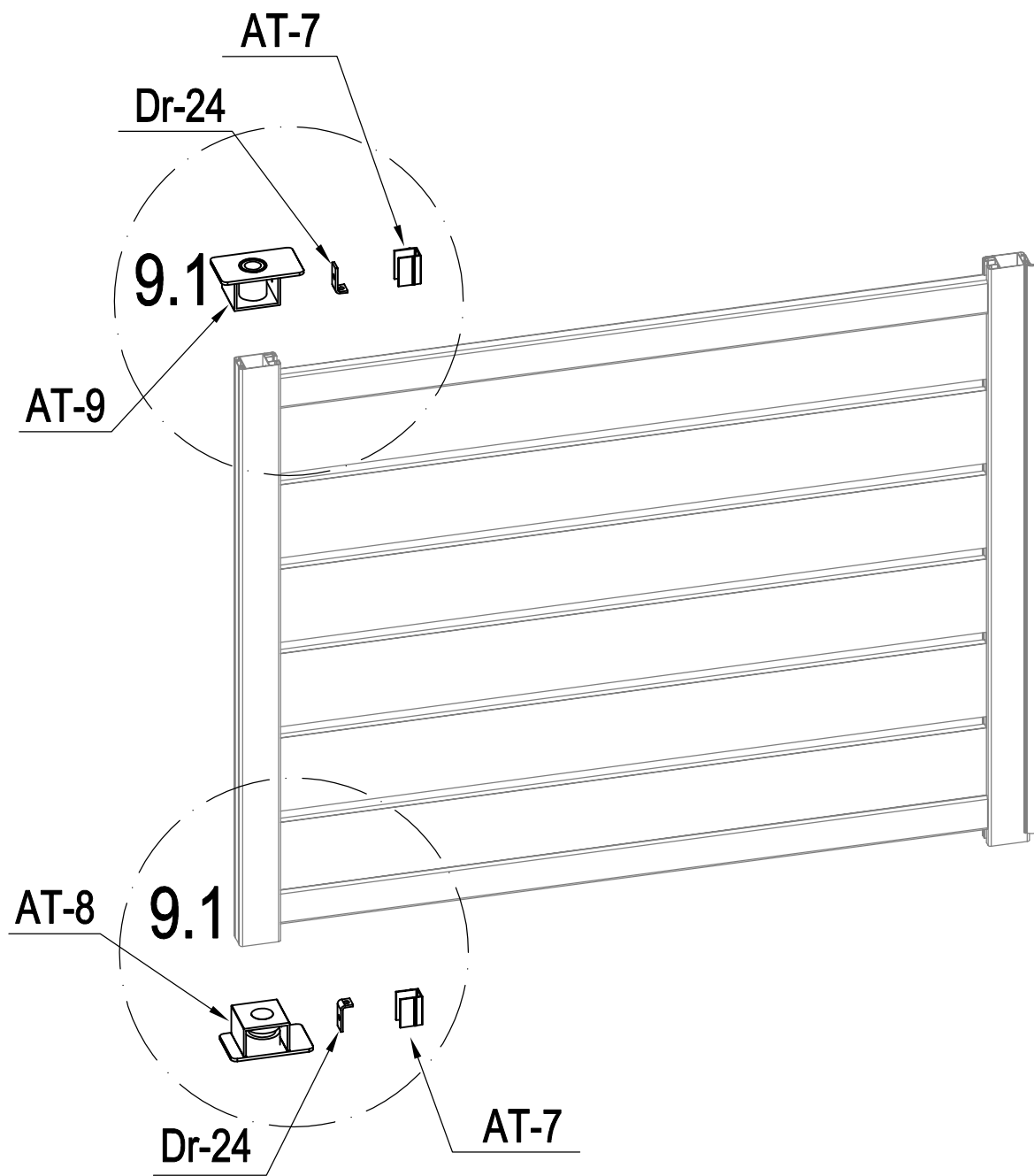
	VT-X36	24
---	--------	----



	VT-C11	2
---	--------	---

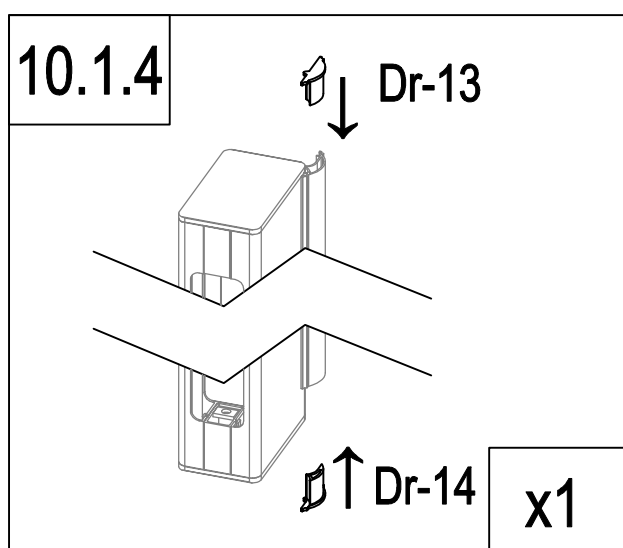
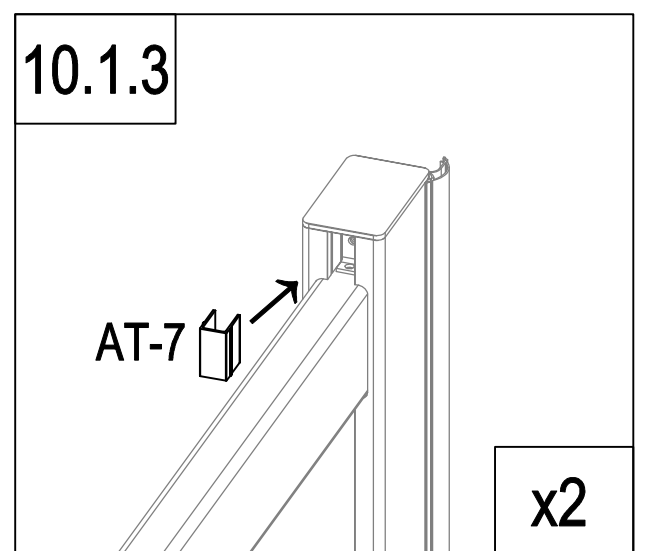
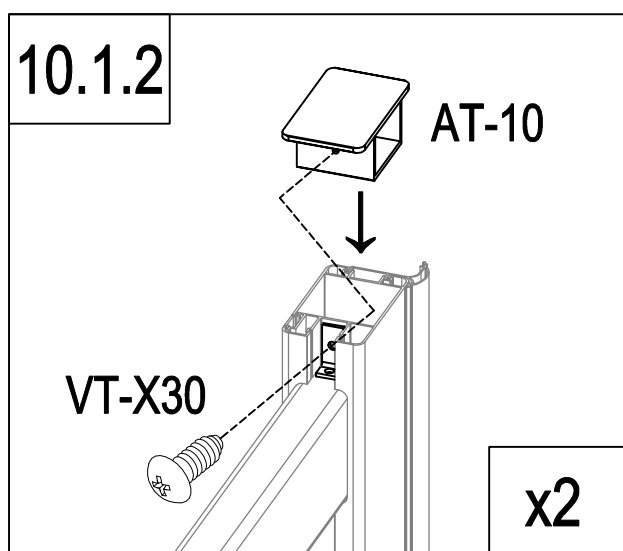
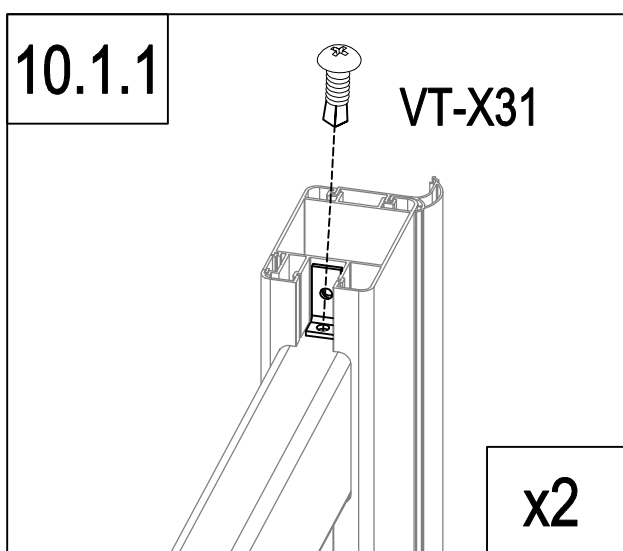
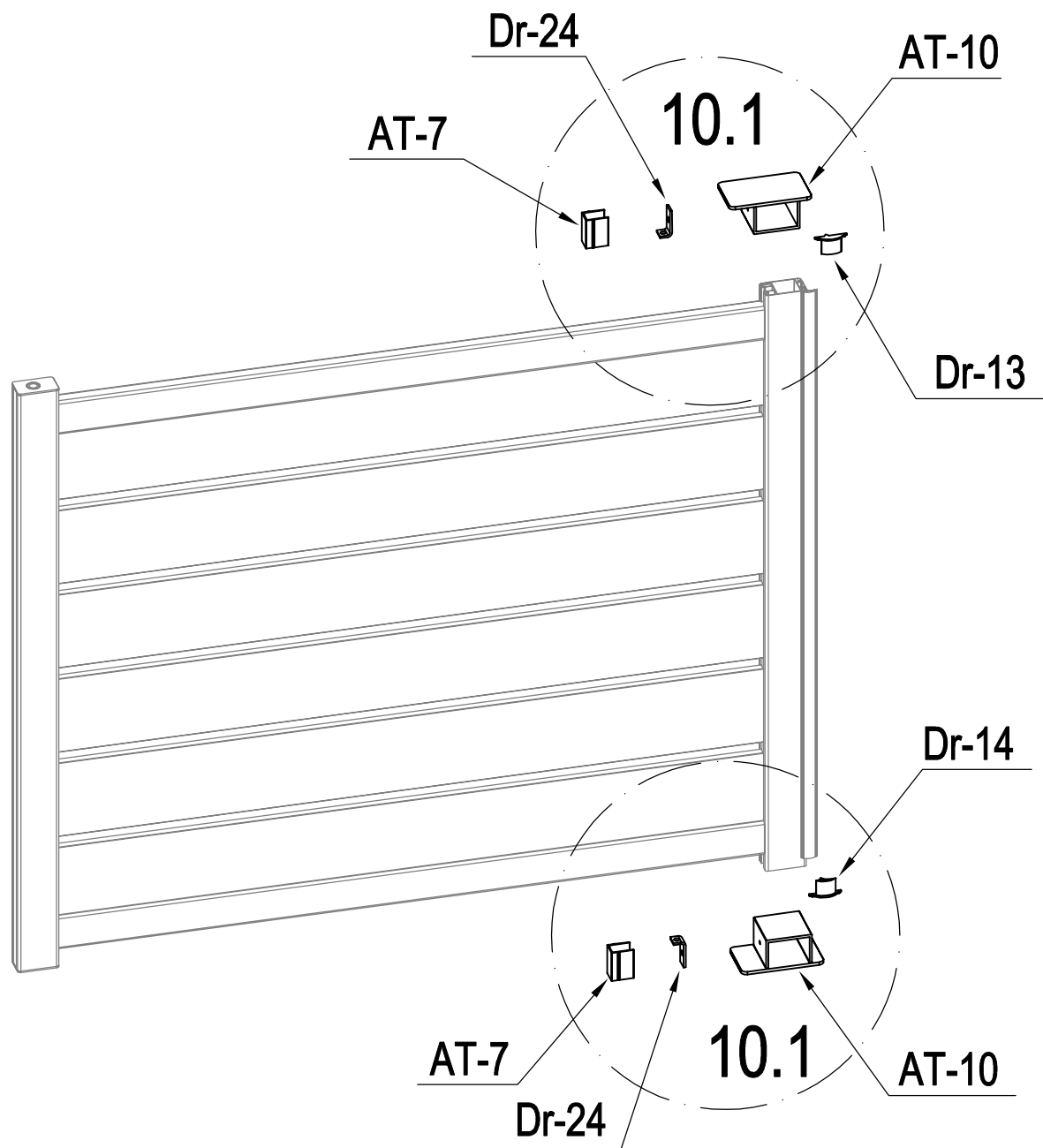


	VT-C5a	1
	Dr-A5c	1
	VT-C7	1



	AT-8	1
	AT-9	1
	Dr-24	2

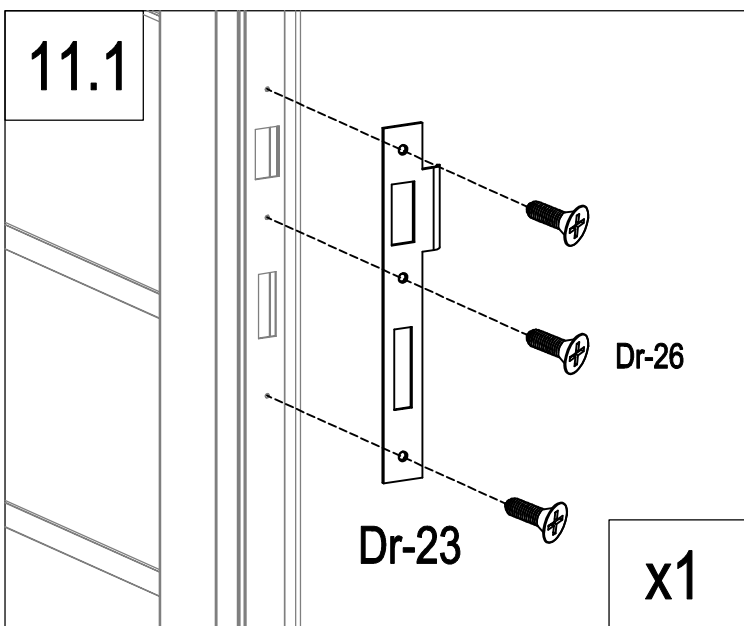
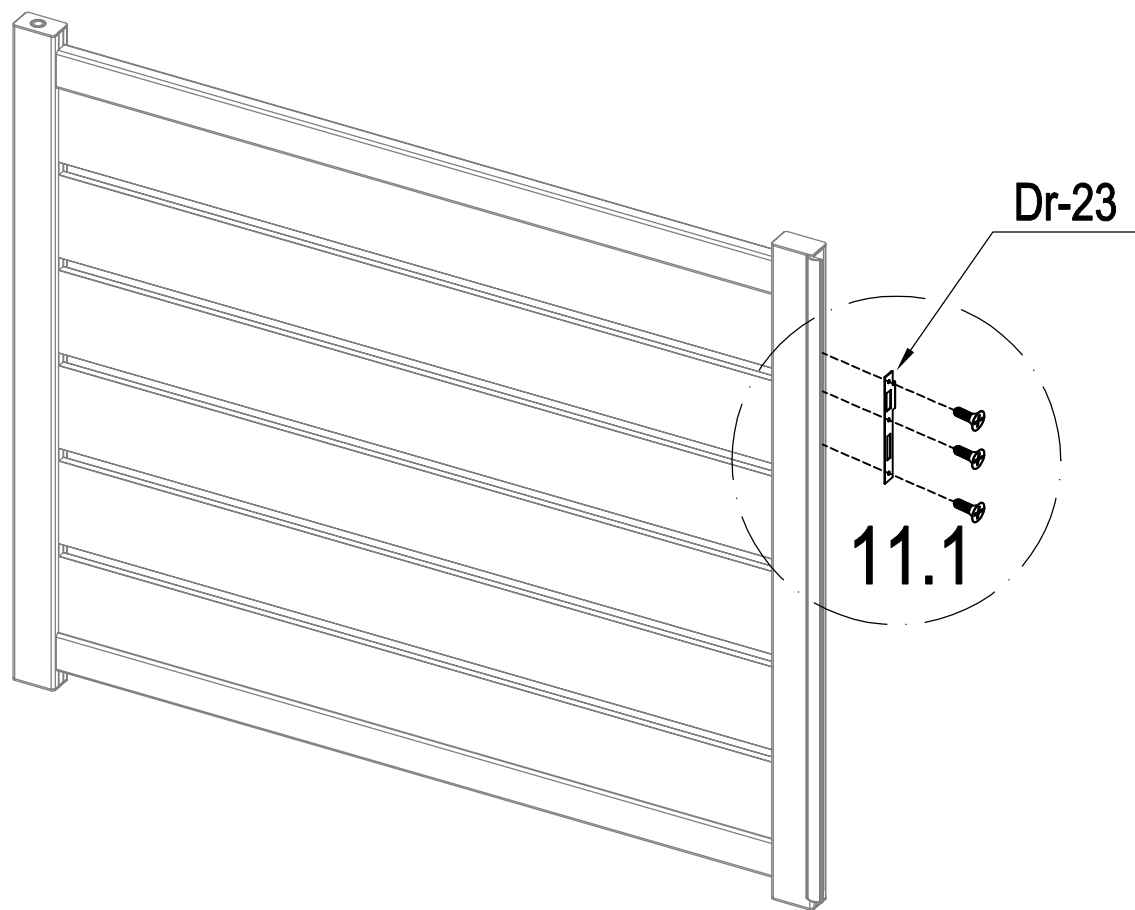
	AT-7	2
	VT-X30	2
	VT-X31	2





	AT-10	2
	Dr-24	2
	AT-7	2
	Dr-13	1

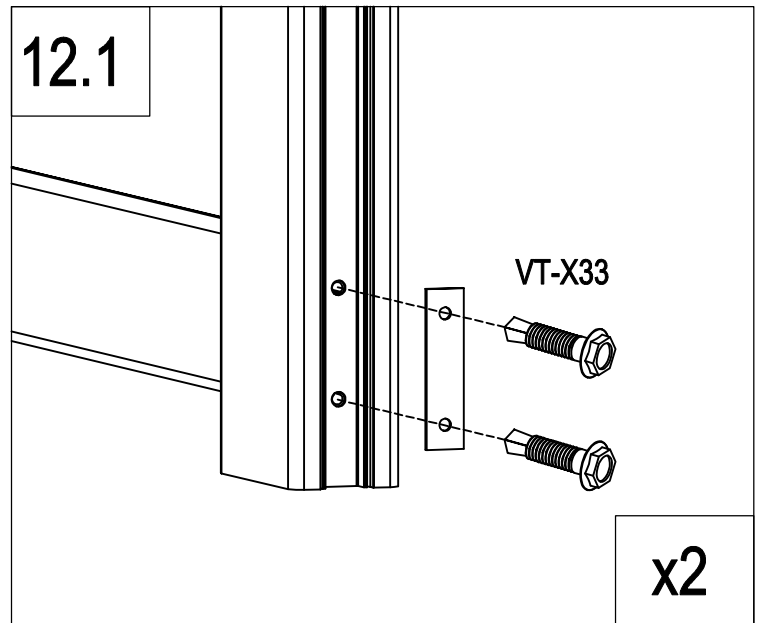
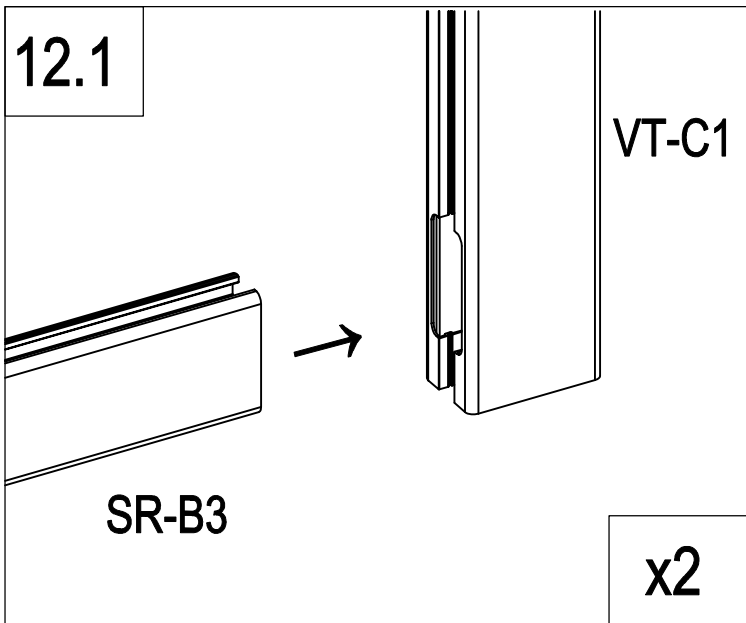
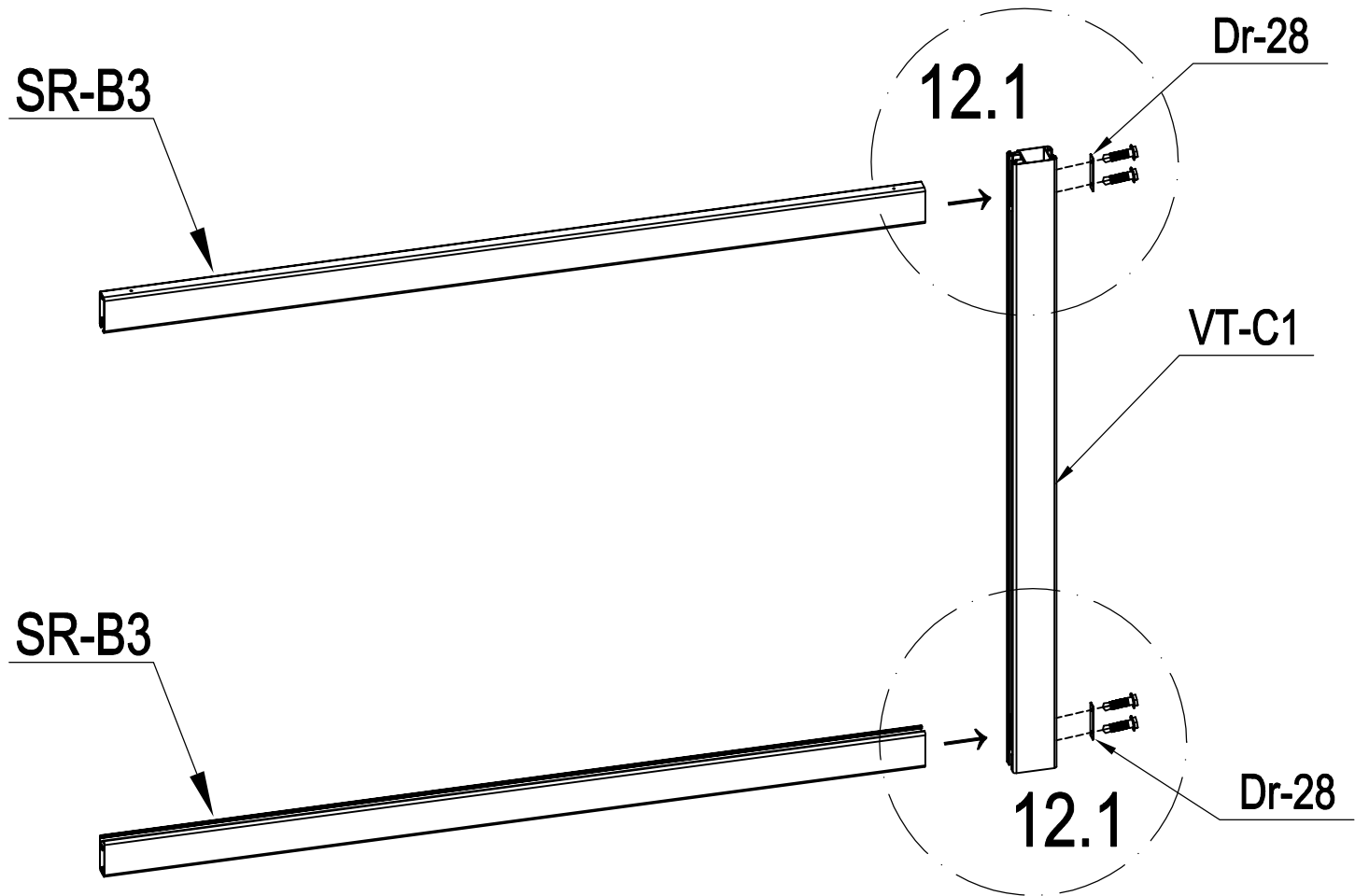
	Dr-14	1
	VT-X30	2
	VT-X31	2

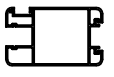
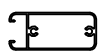

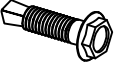
10



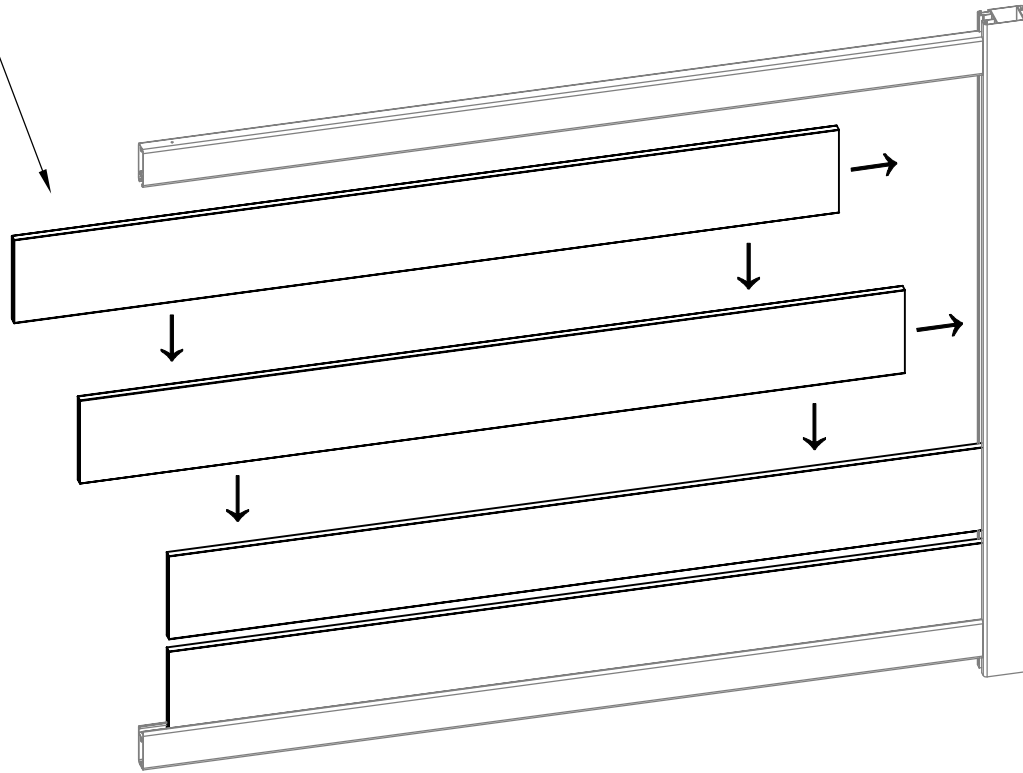
	Dr-23	1
	Dr-26	3



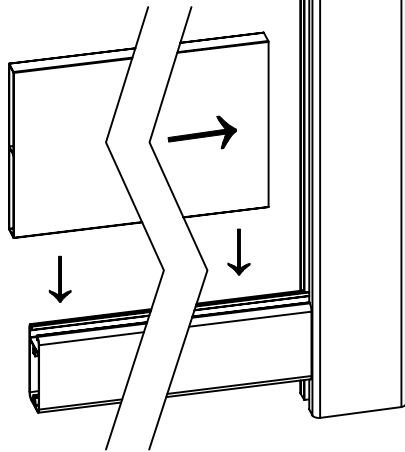


	VT-C1	1
	SR-B3	2
	Dr-28	2
	VT-X33	4

VT-B4

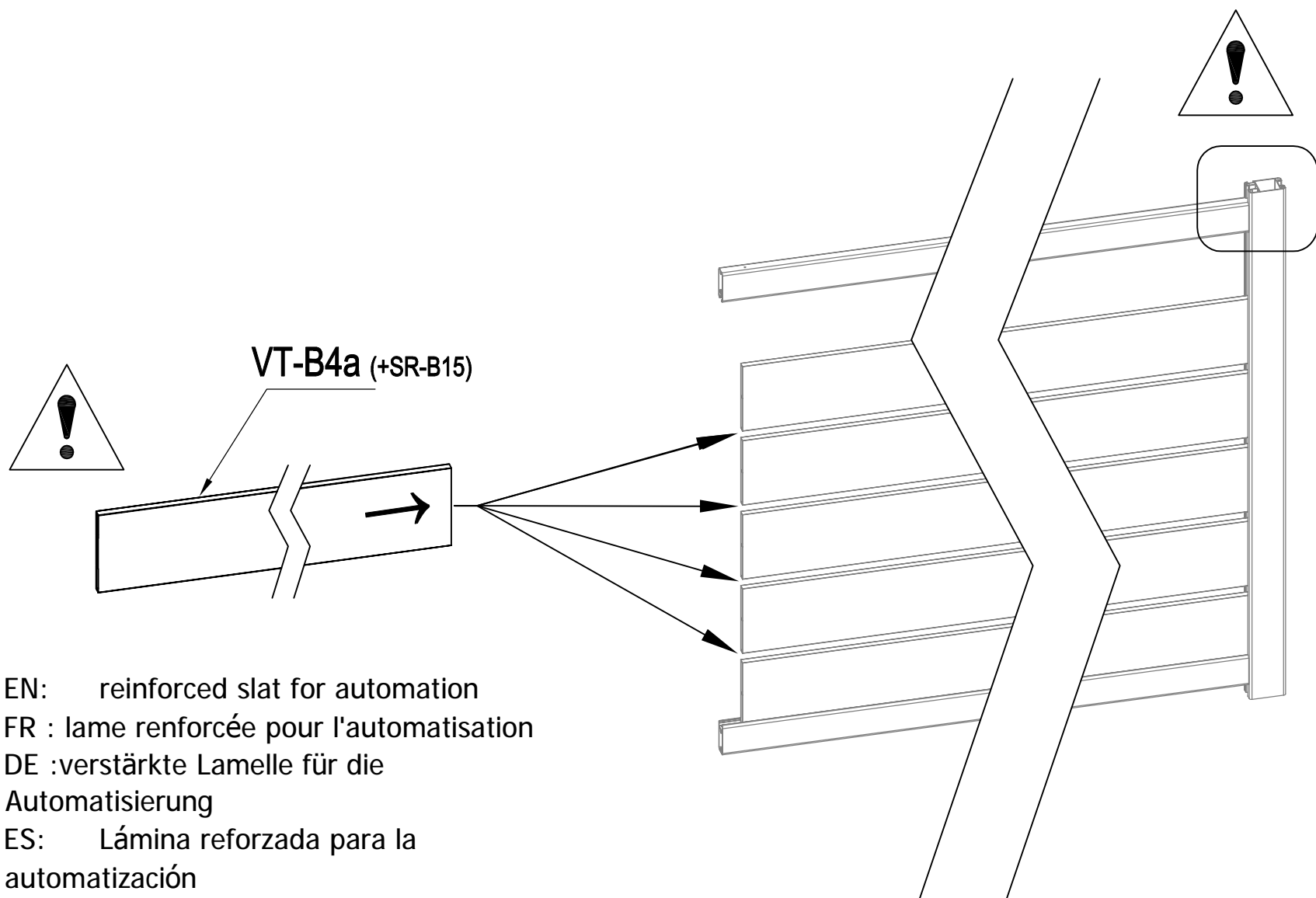


13.1

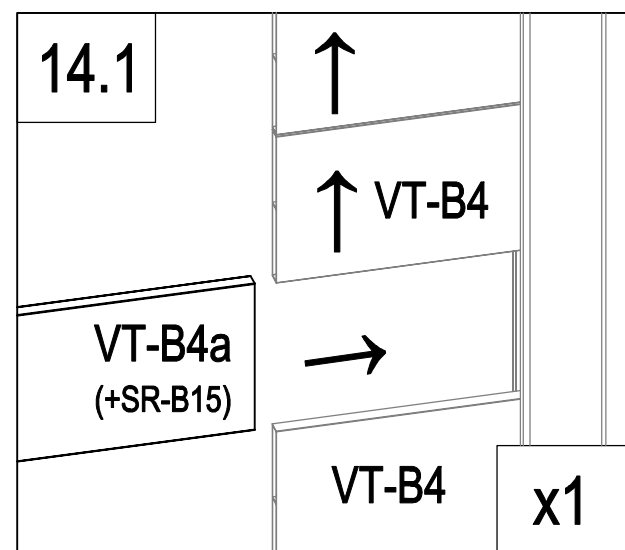
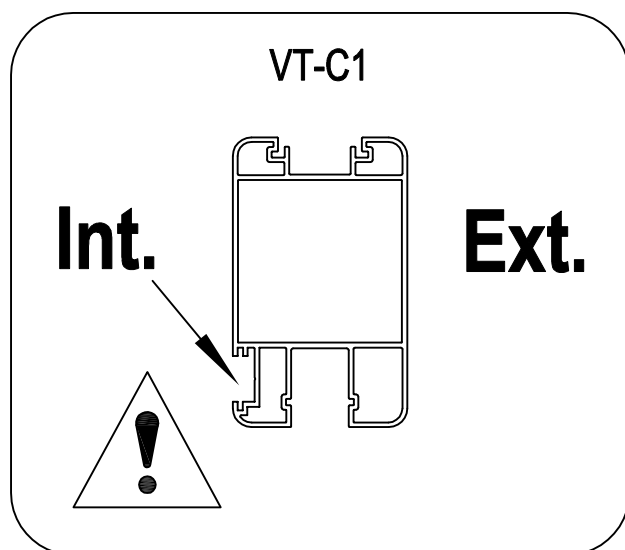
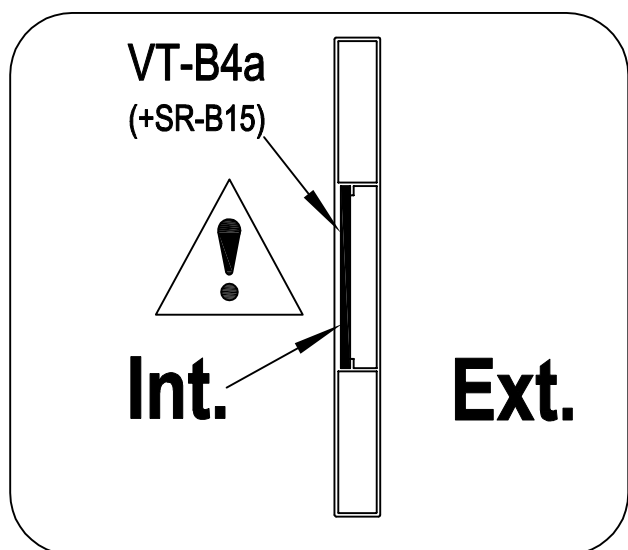



x5

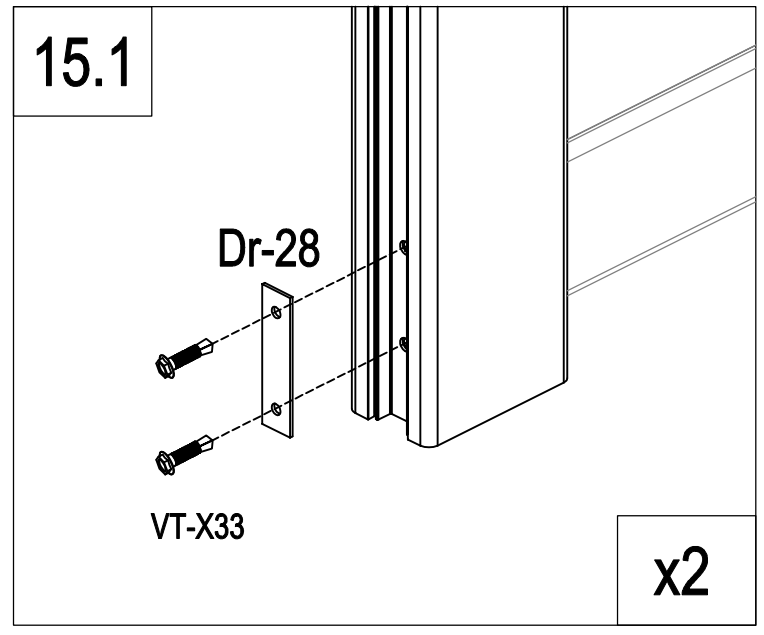
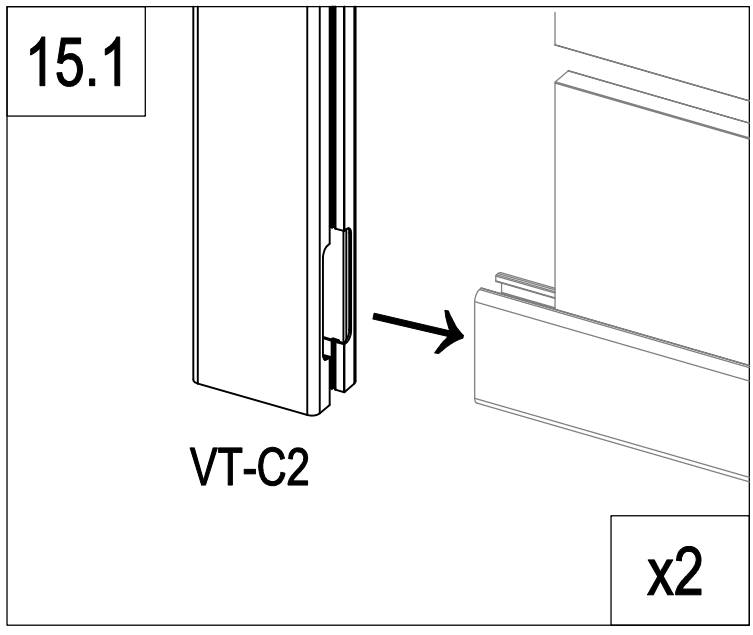
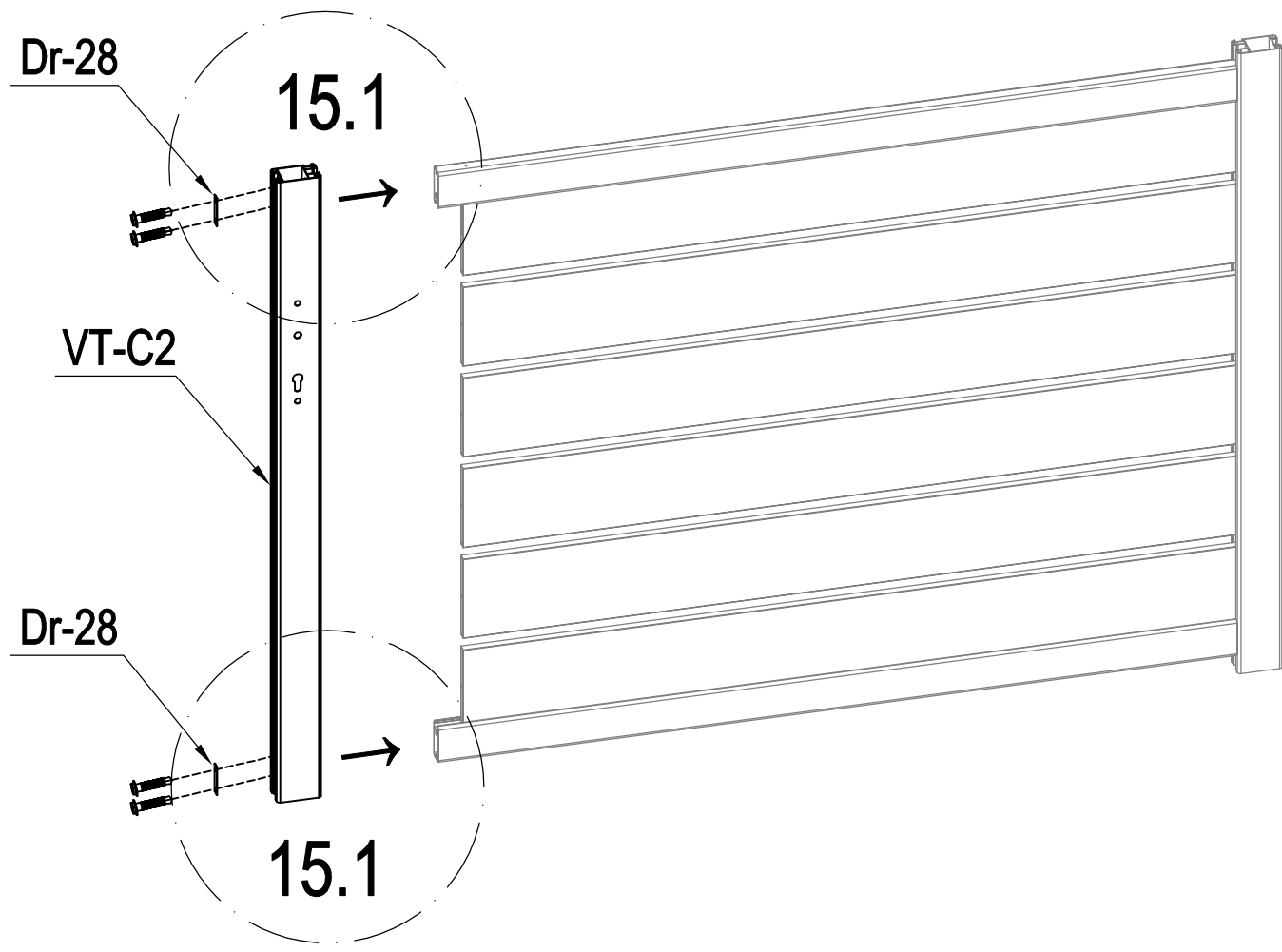
	VT-B4	5
---	-------	---

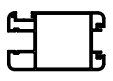

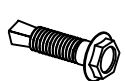


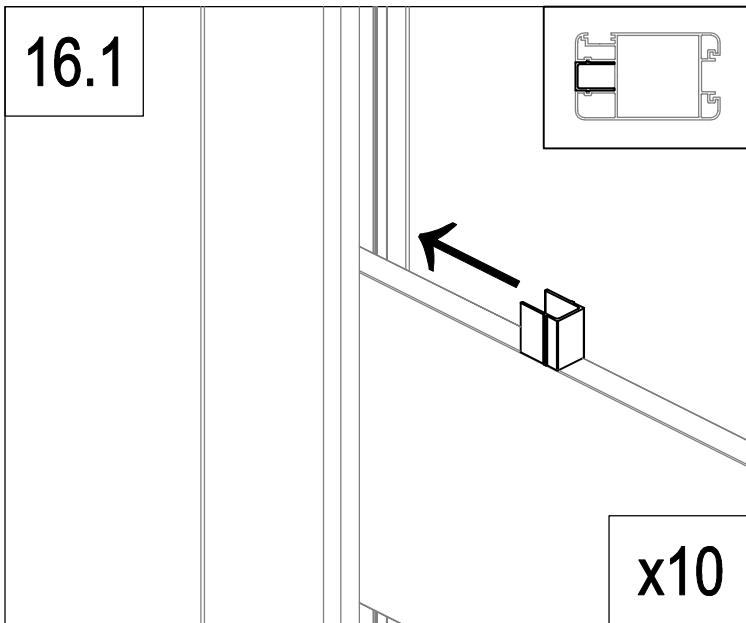
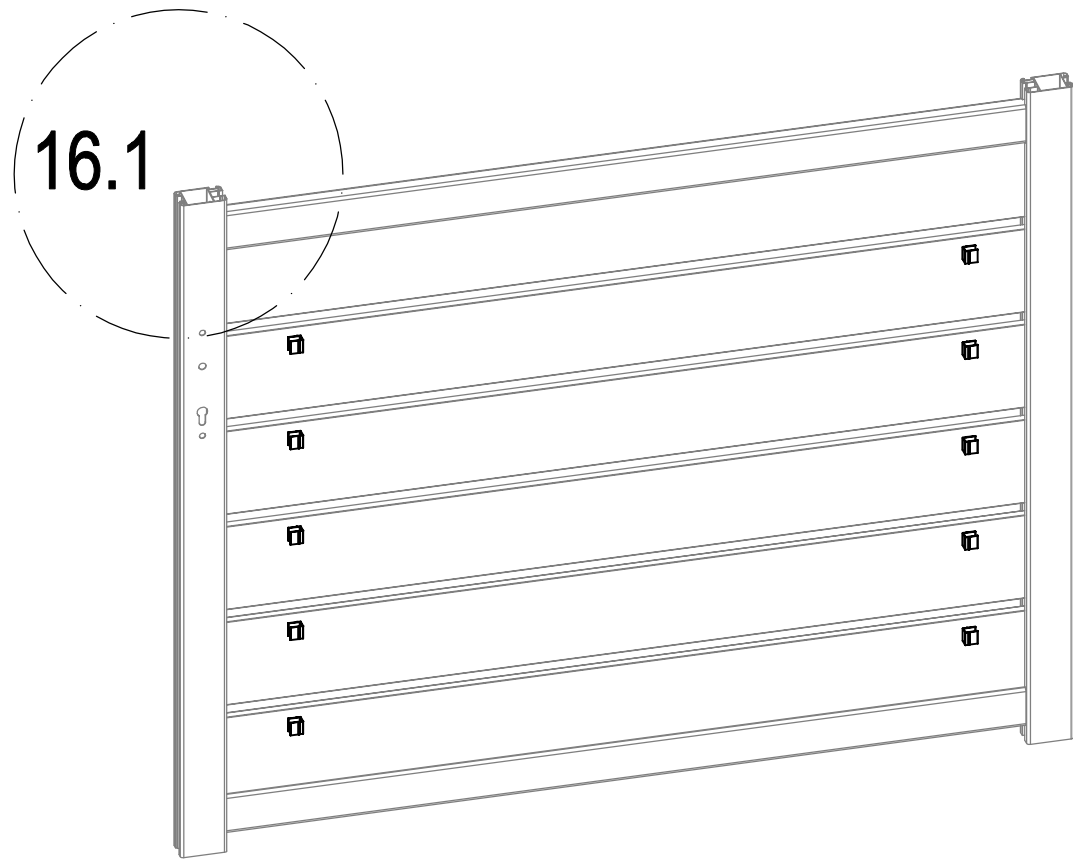
- EN: reinforced slat for automation
- FR : lame renforcée pour l'automatisation
- DE :verstärkte Lamelle für die Automatisierung
- ES: Lámina reforzada para la automatización
- PT: ripa reforçada para automatização
- IT: lamella rinforzata per l'automazione
- NL: versterkte lat voor automatisering
- PL: wzmocniona listwa do automatyzacji



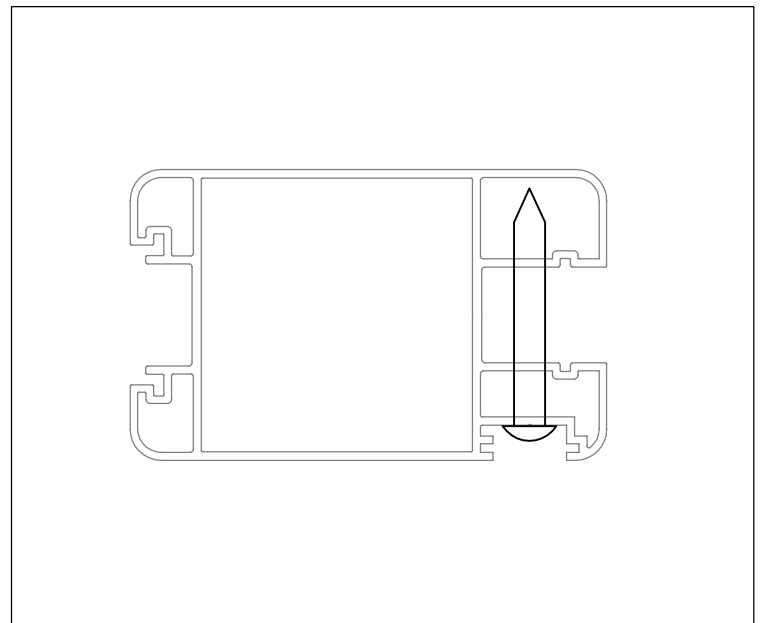
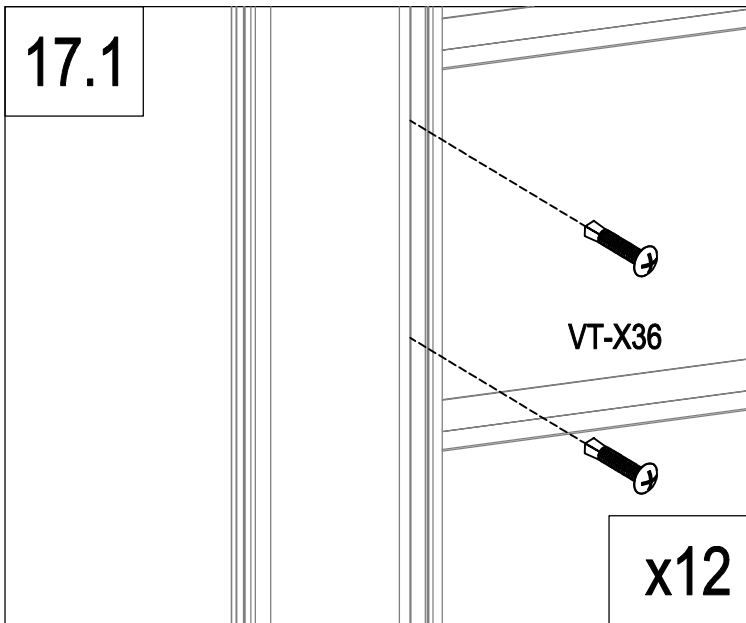
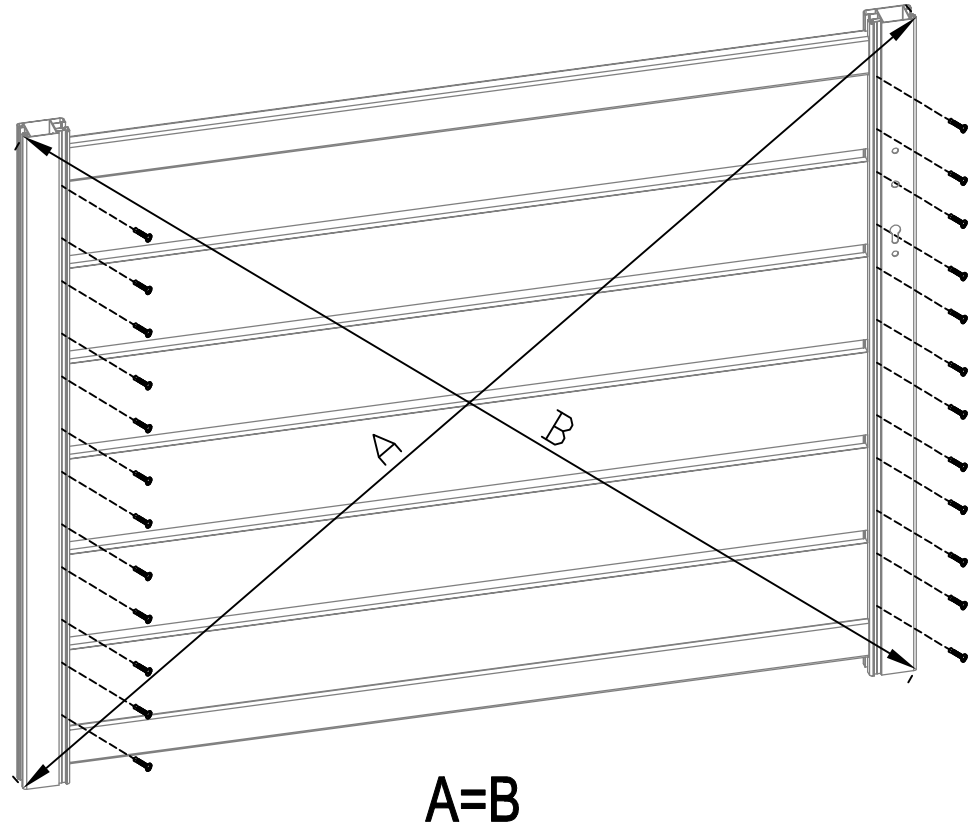
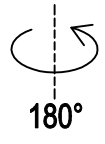
	VT-B4a (+SR-B15)	1
---	------------------	---



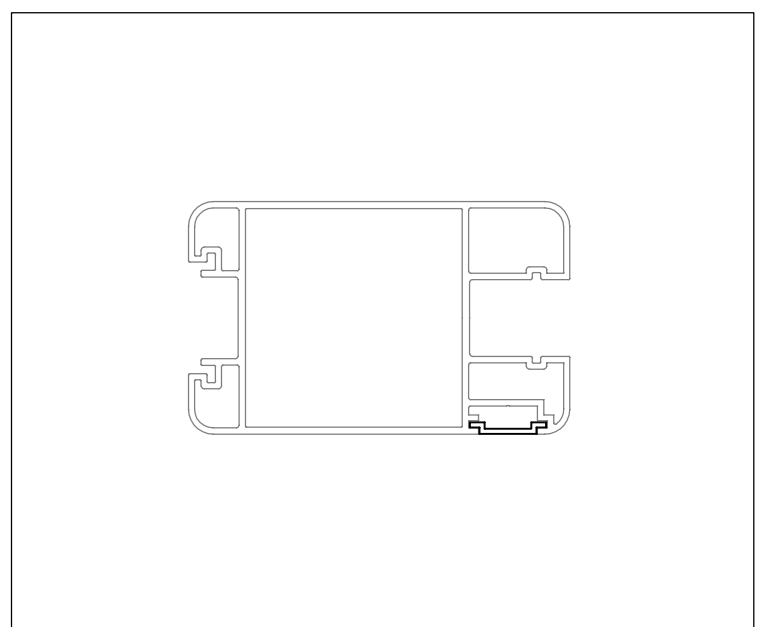
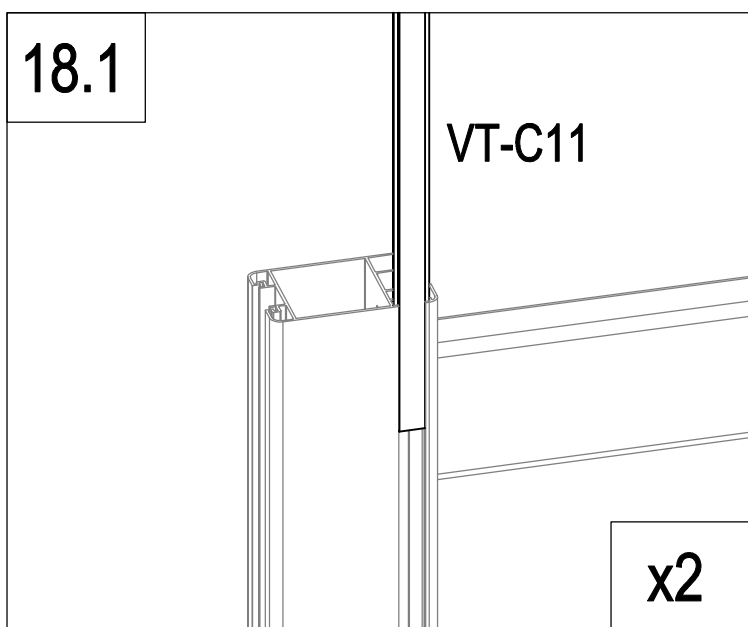
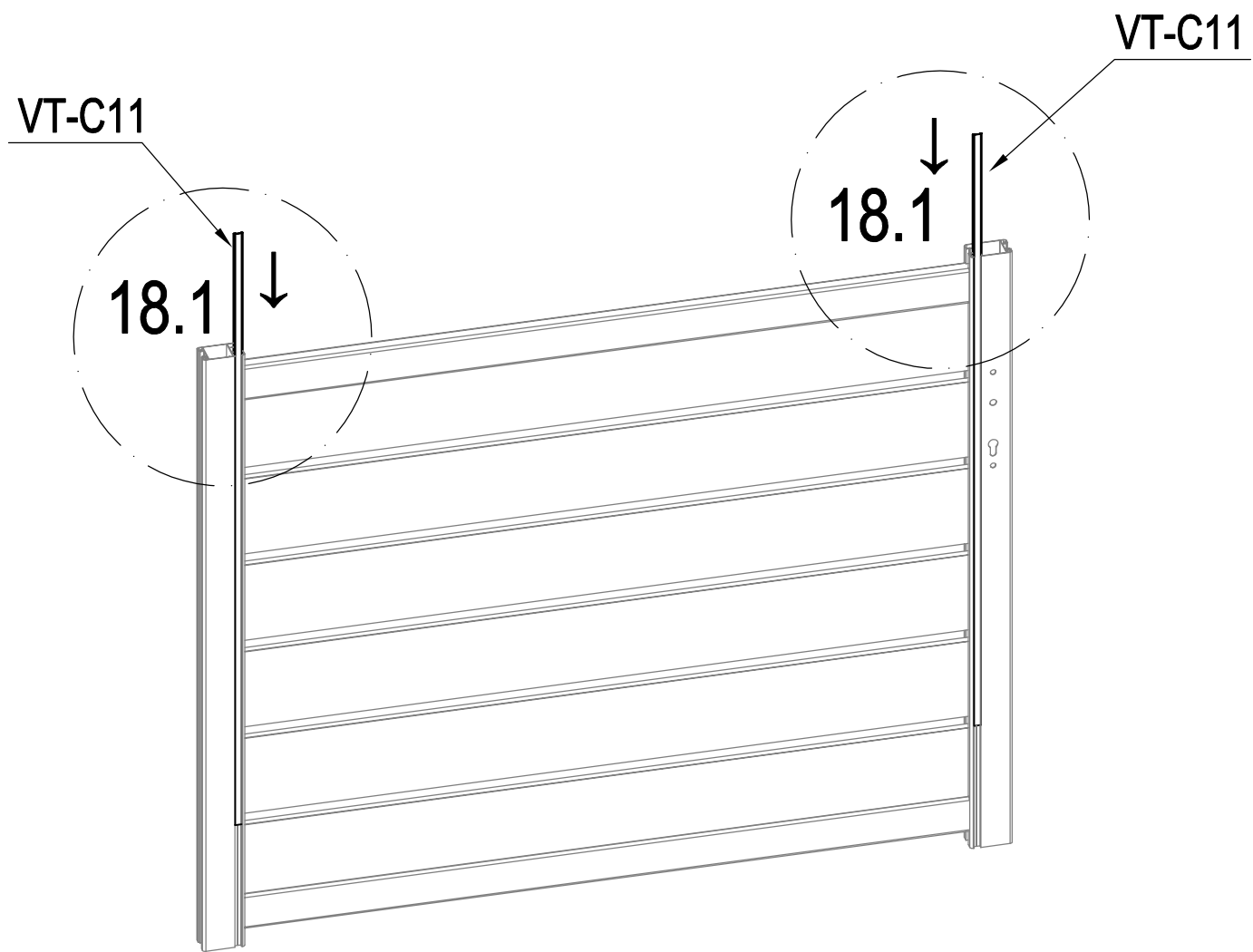
	VT-C2	1
	Dr-28	2
	VT-X33	4

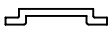


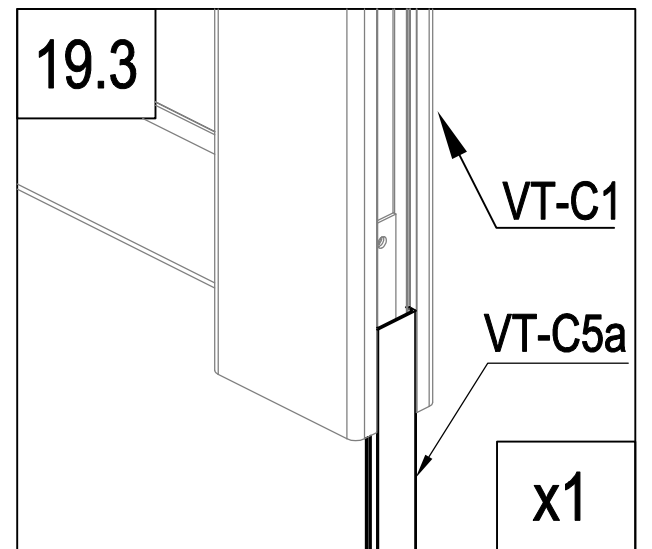
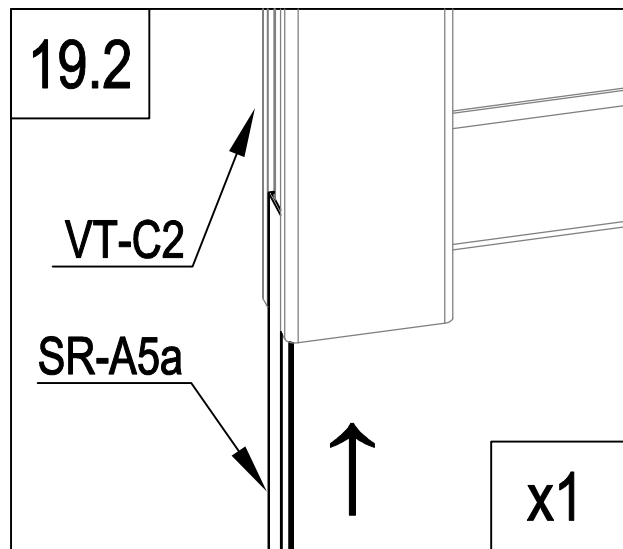
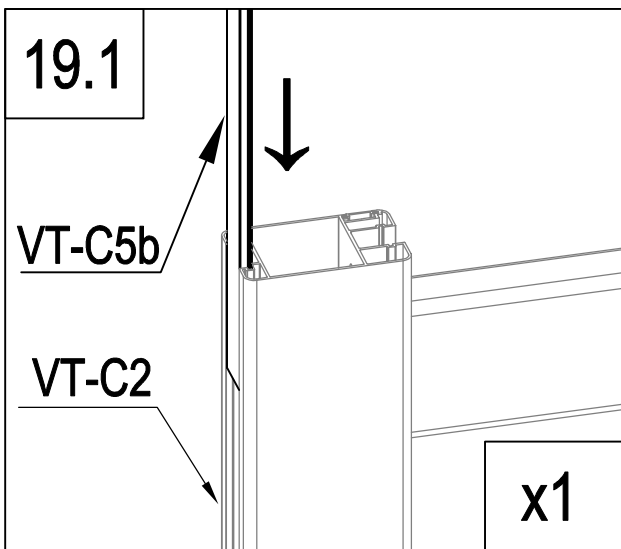
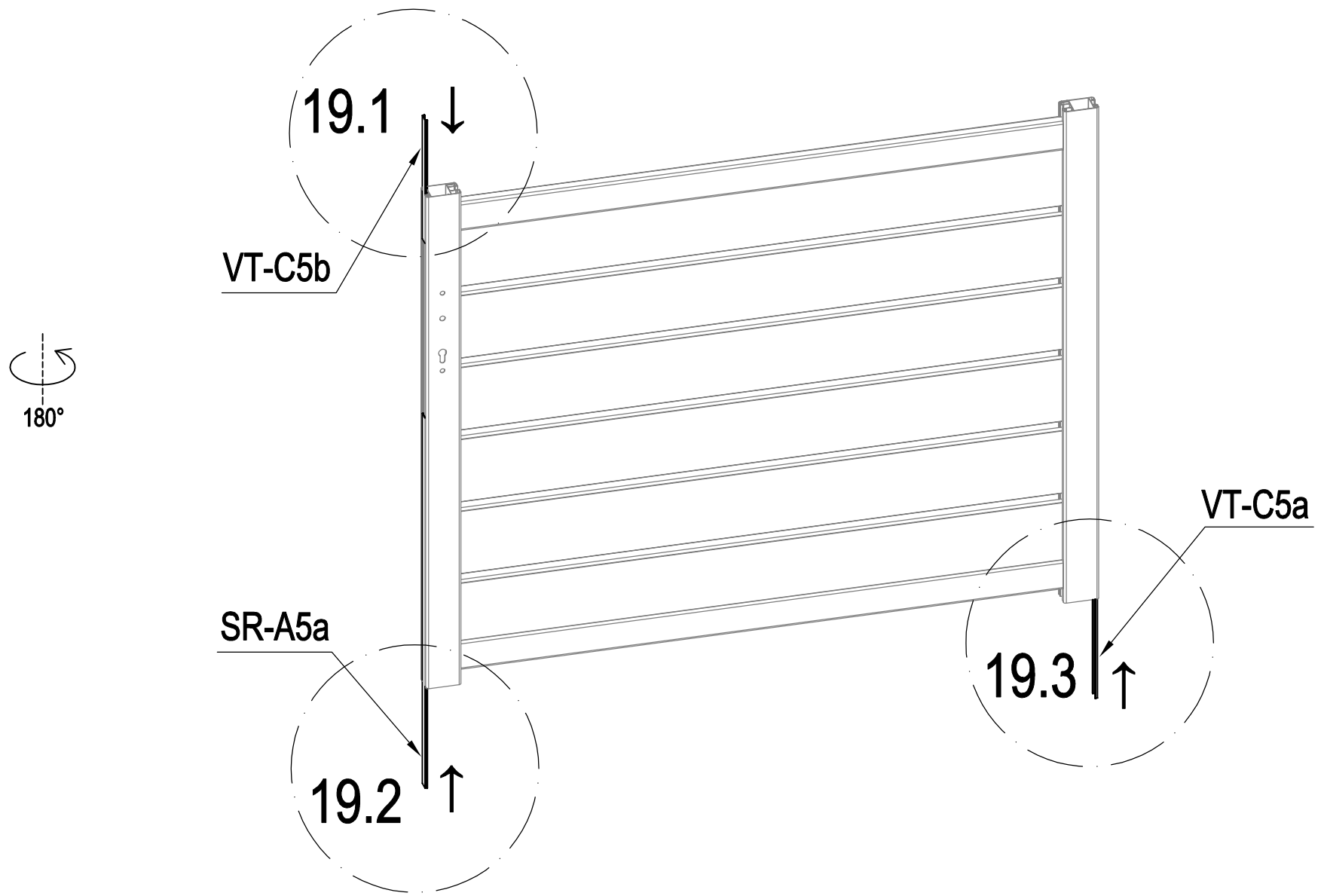
	VT-A6	10
---	-------	----

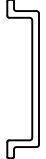


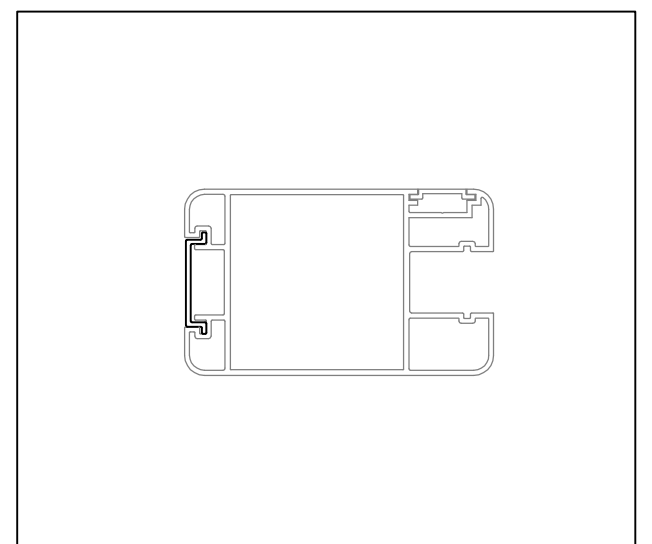
	VT-X36	24
--	--------	----



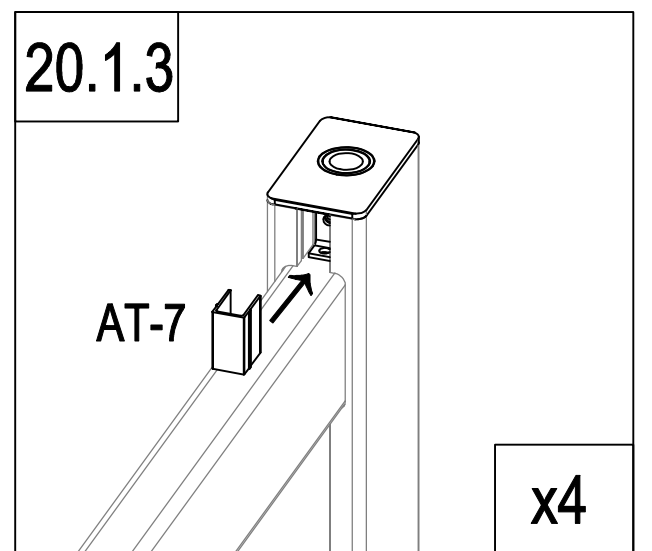
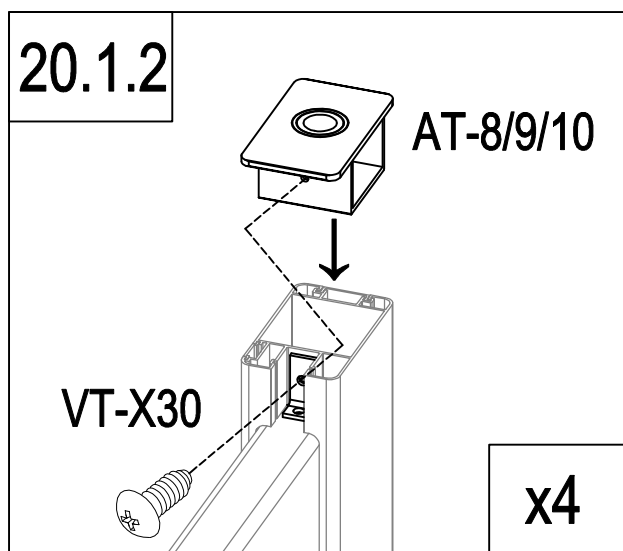
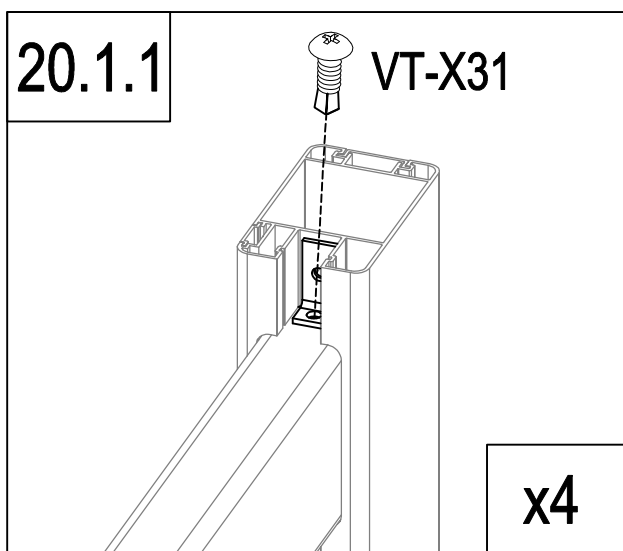
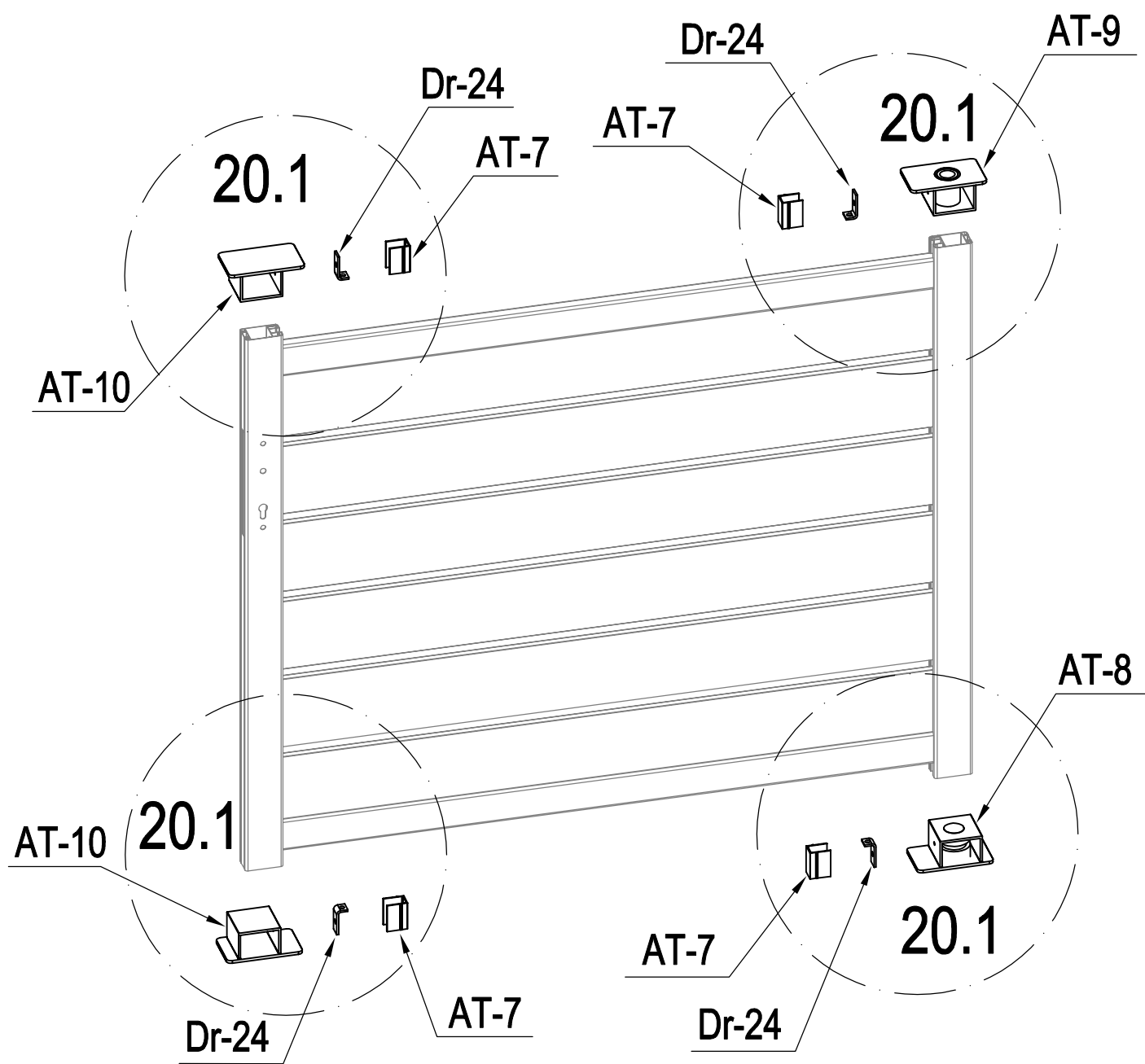
	VT-C11	2
---	--------	---



	VT-C5a	1
	VT-C5b	1
	SR-A5a	1

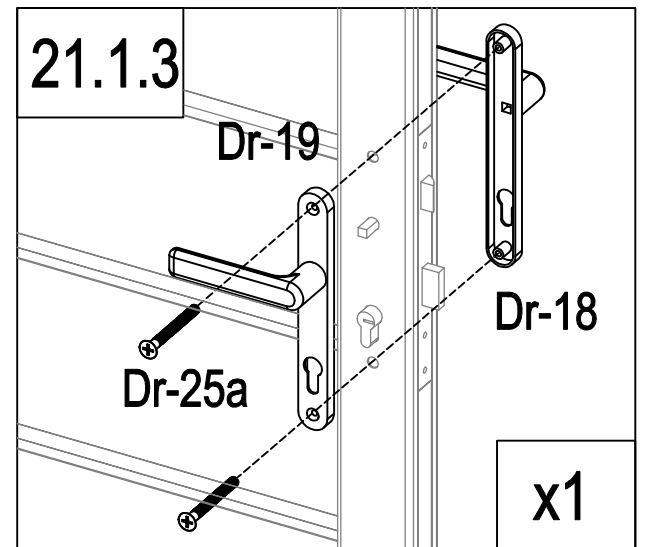
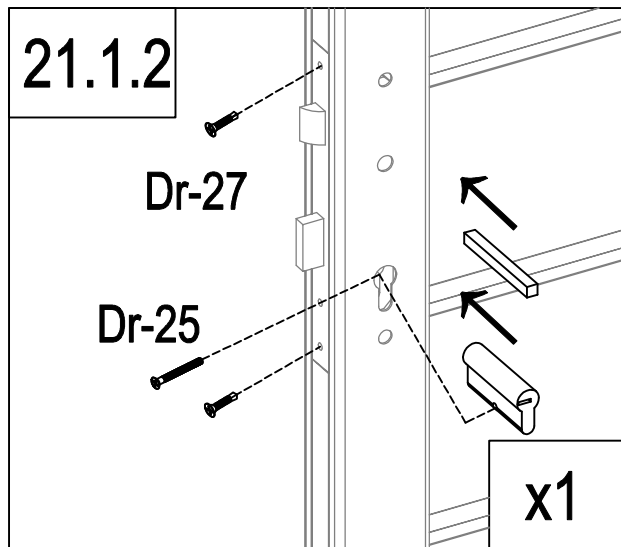
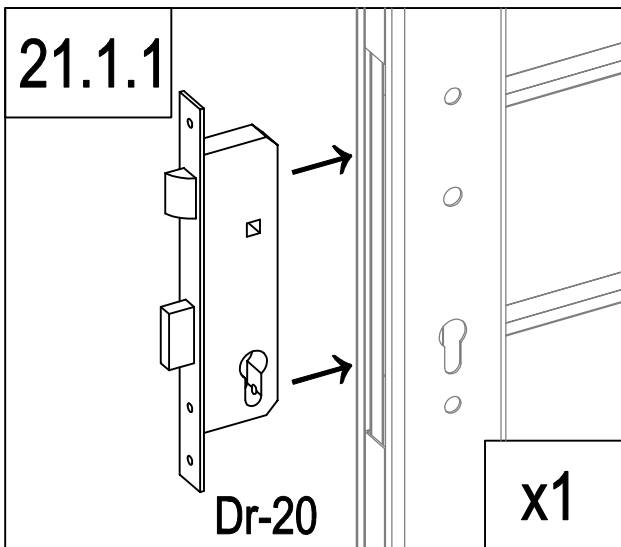
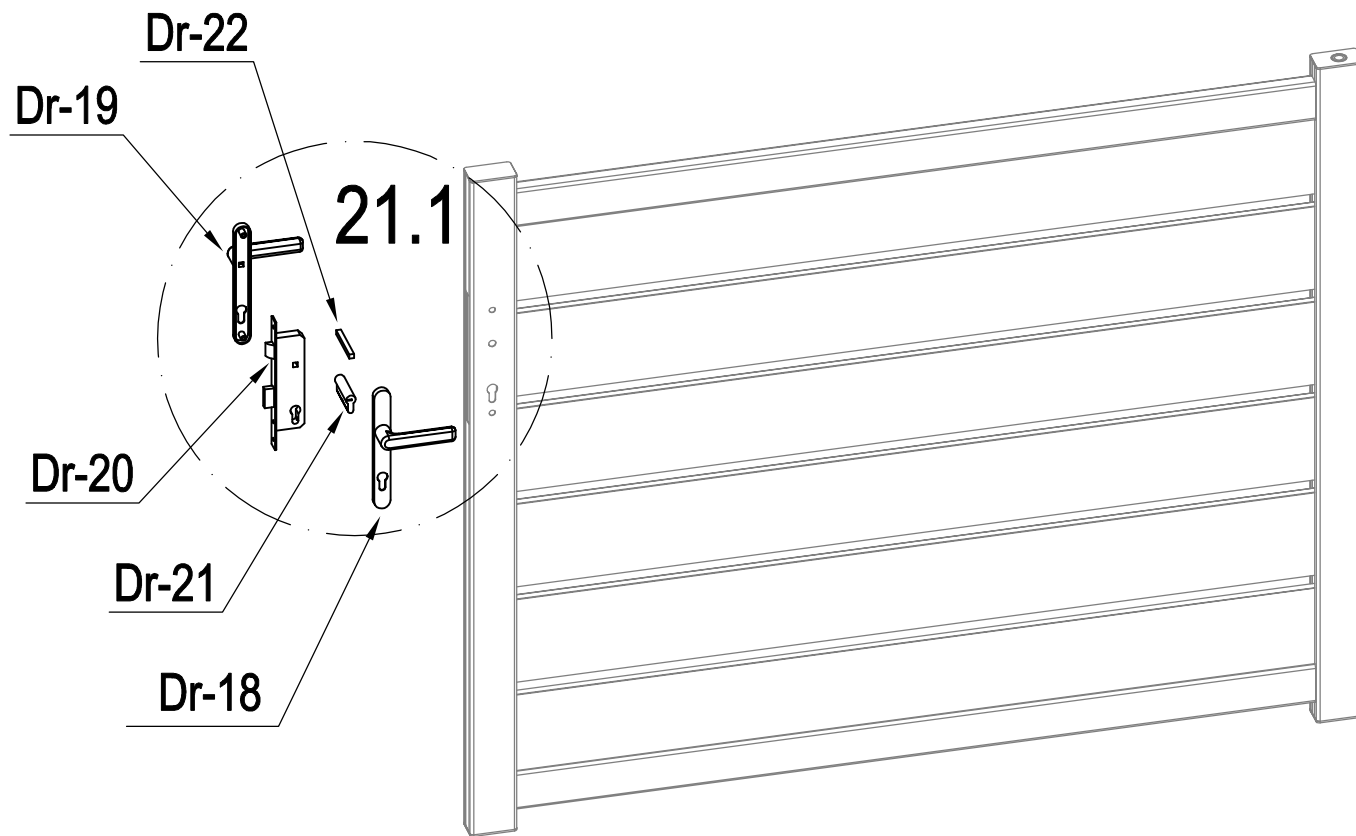






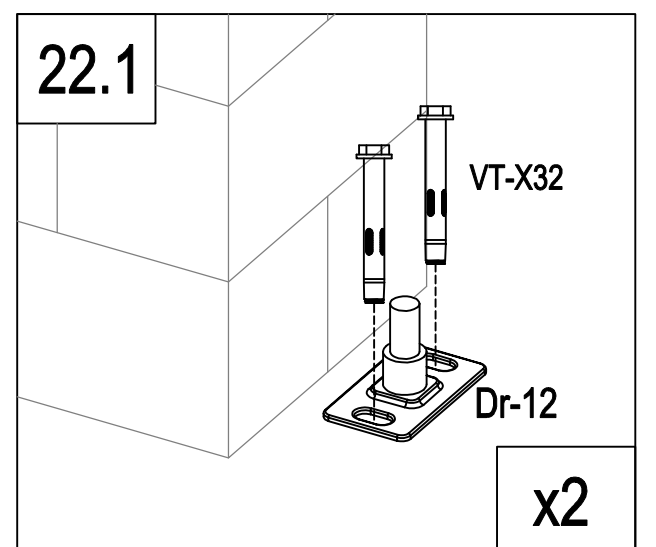
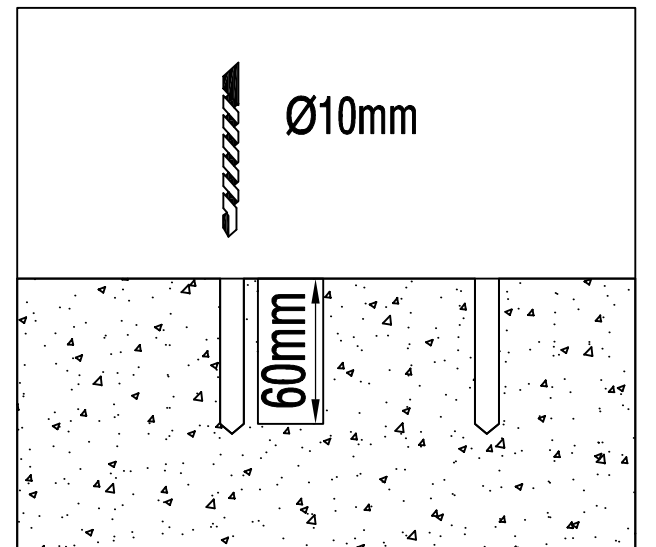
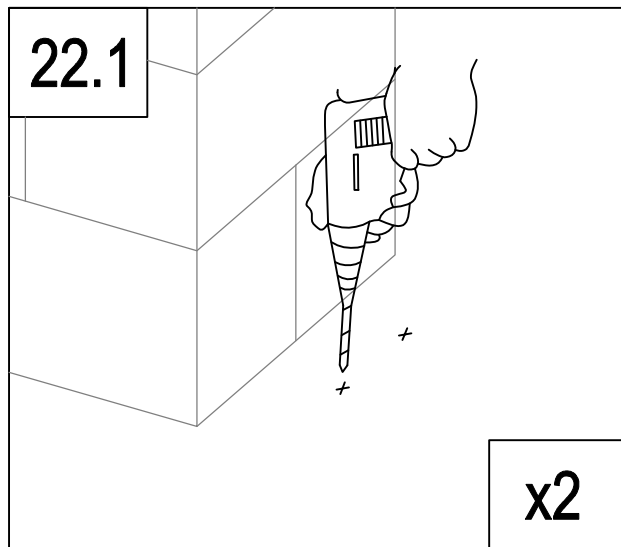
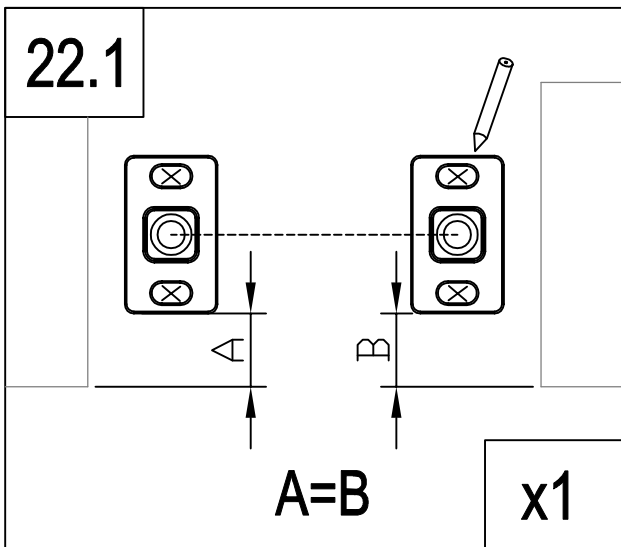
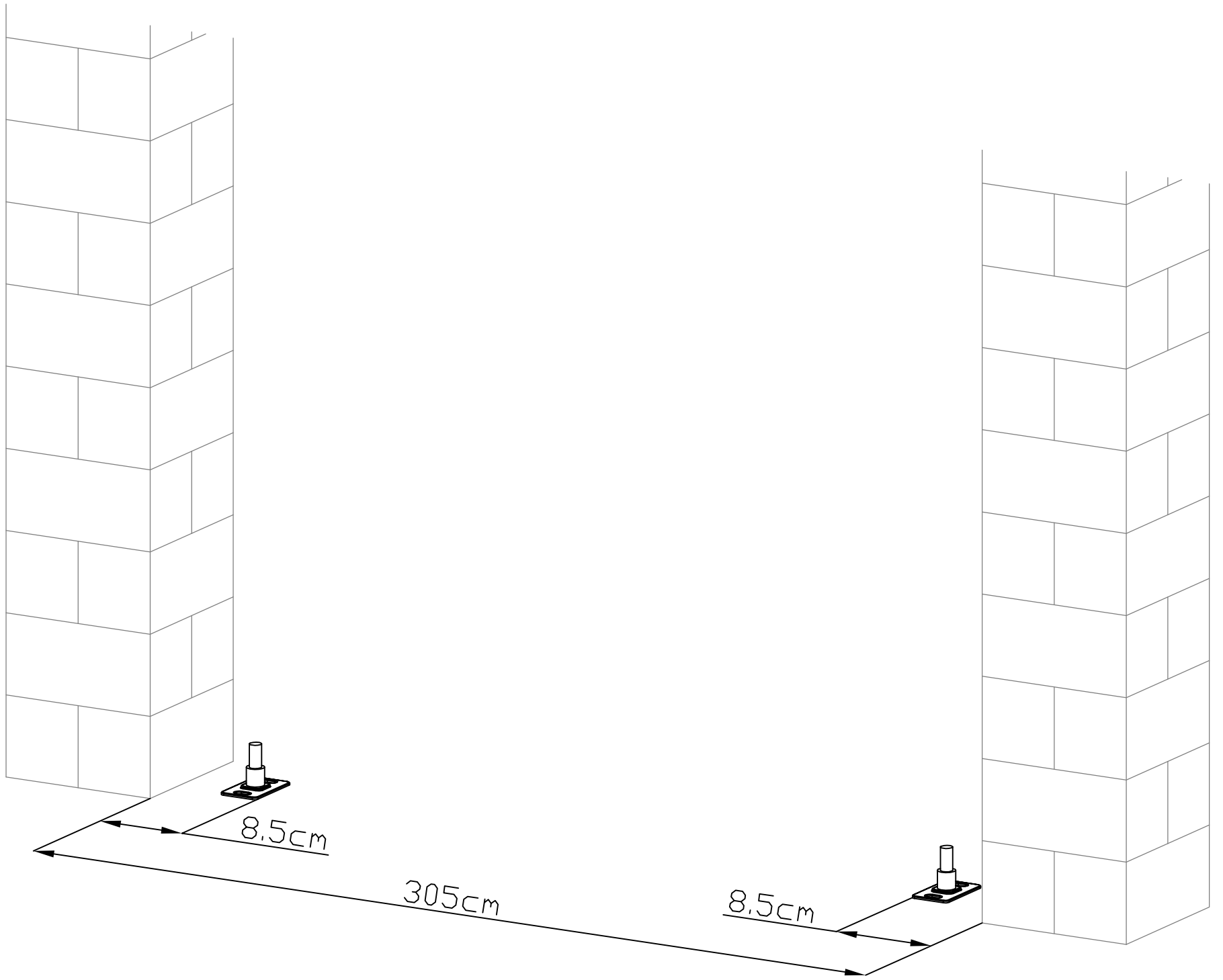
	AT-8	1
	AT-9	1
	AT-10	2
	Dr-24	4

	AT-7	4
	VT-X30	4
	VT-X31	4

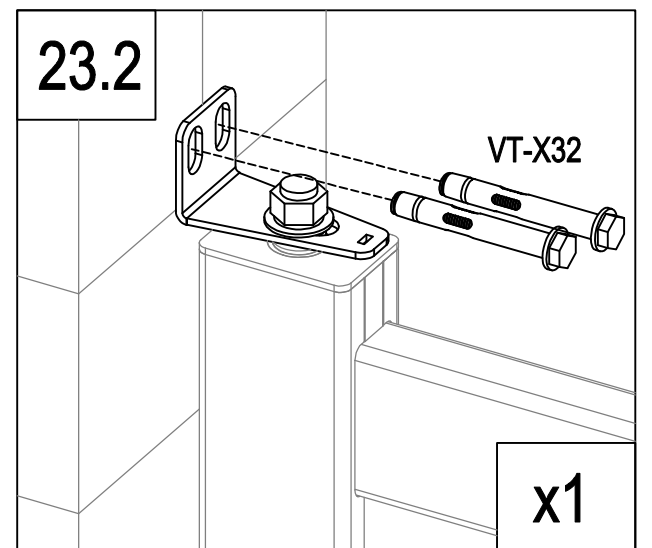
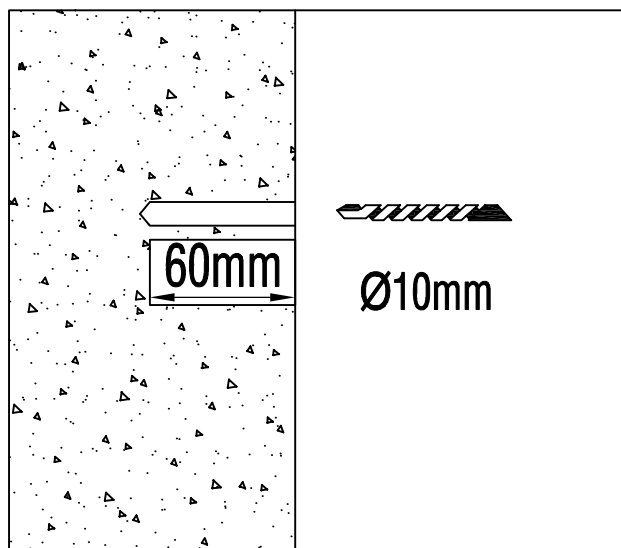
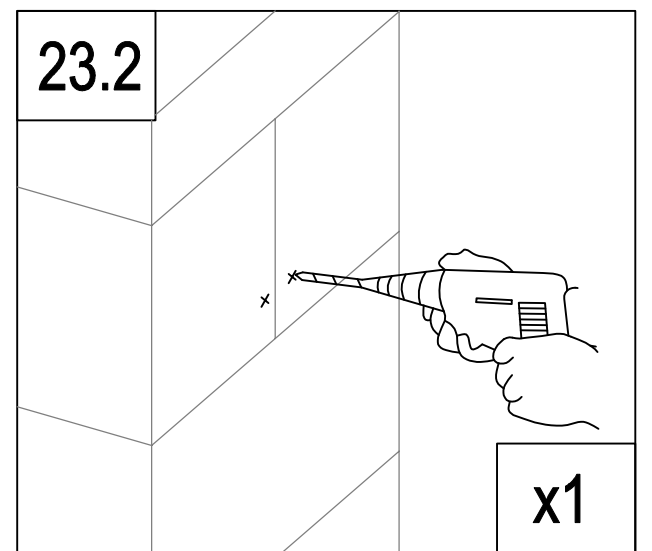
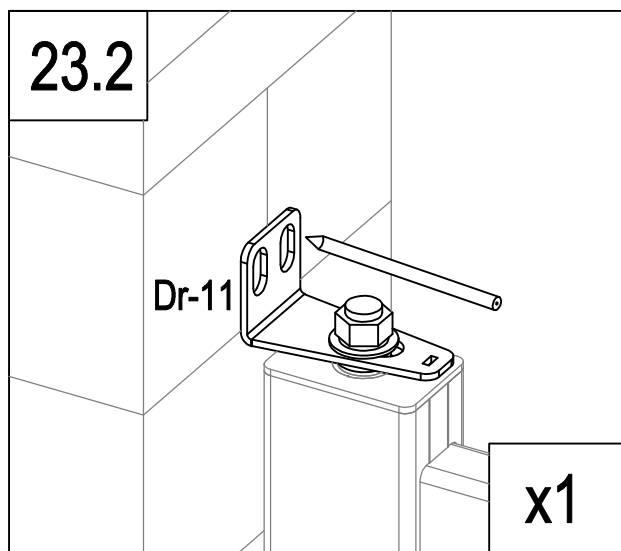
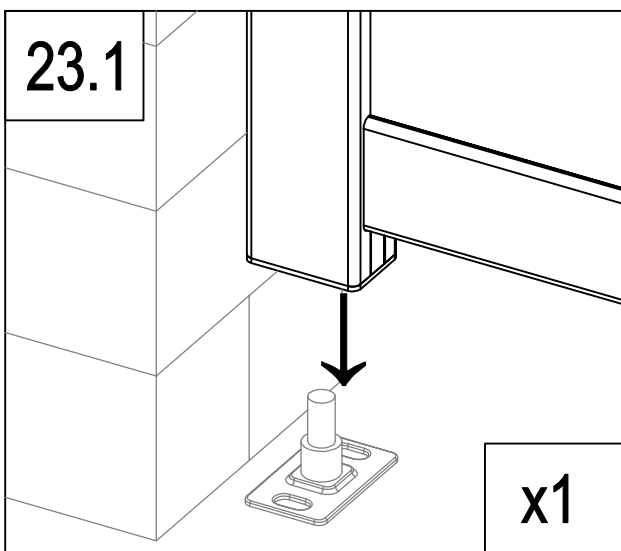
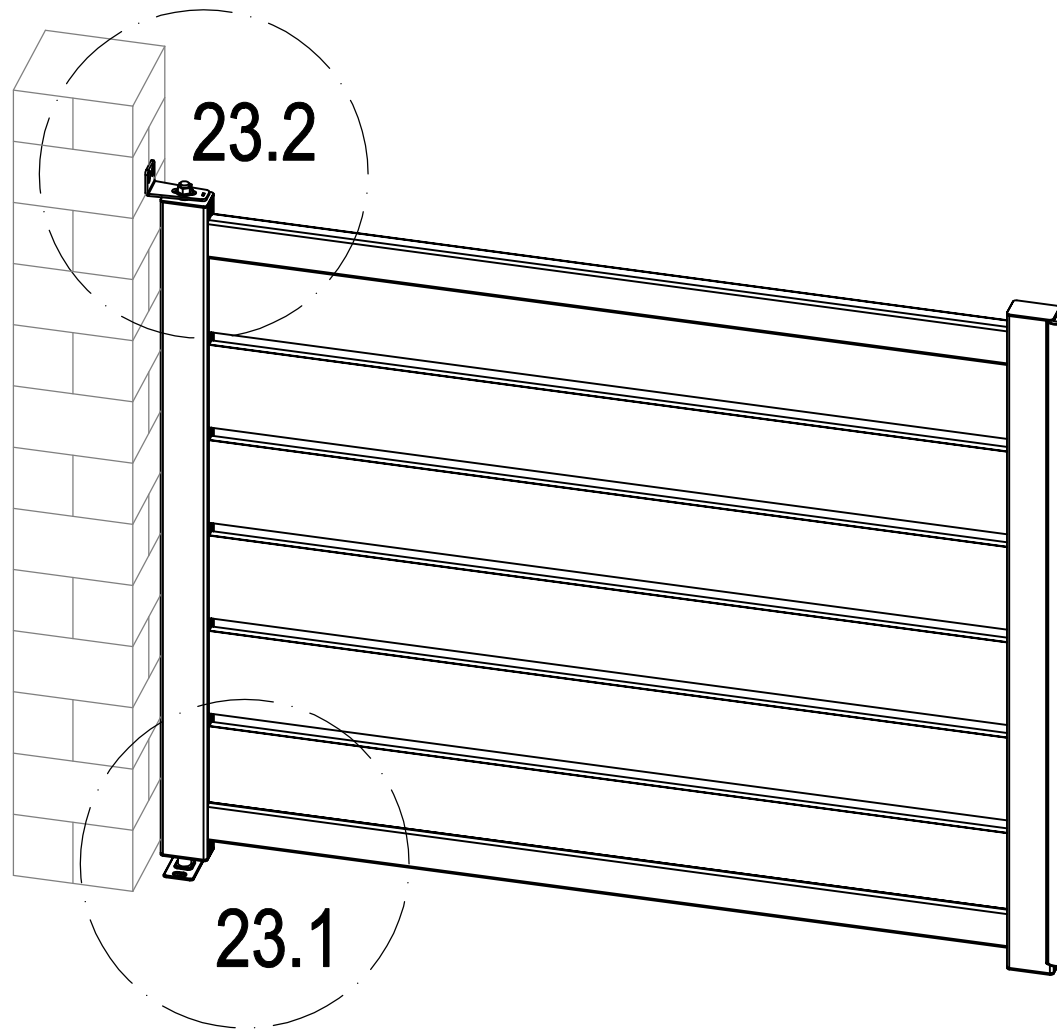


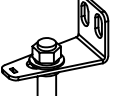

	Dr-20	1
	Dr-21	1
	Dr-22	1
	Dr-25	1

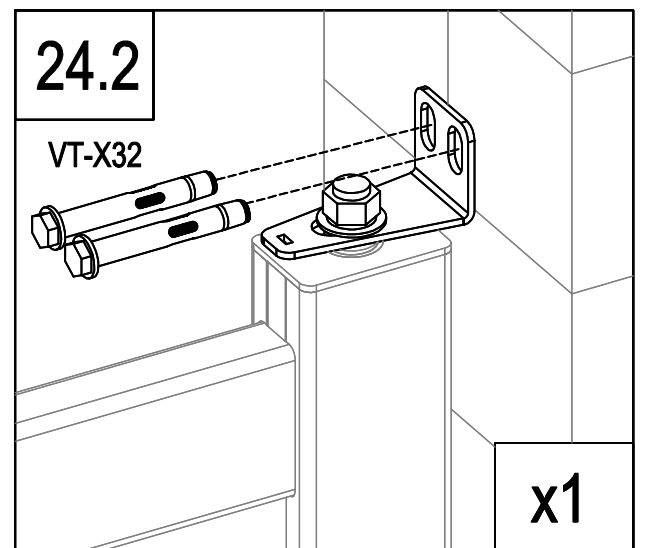
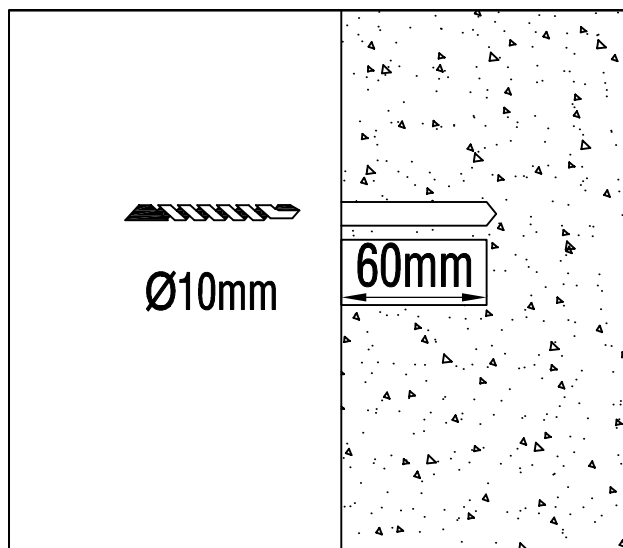
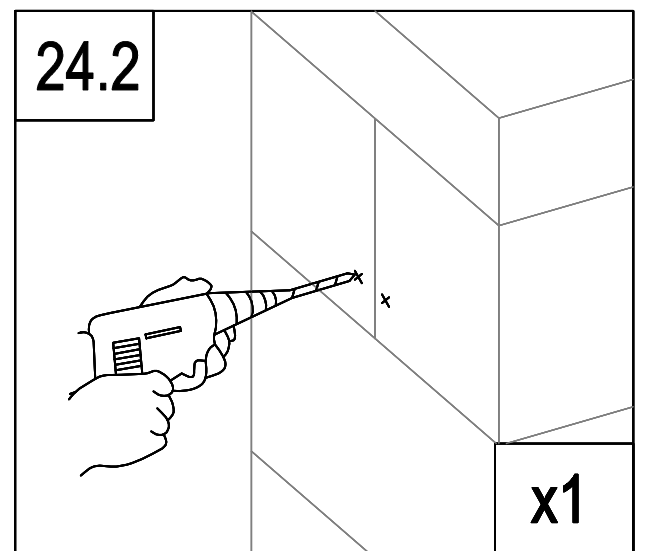
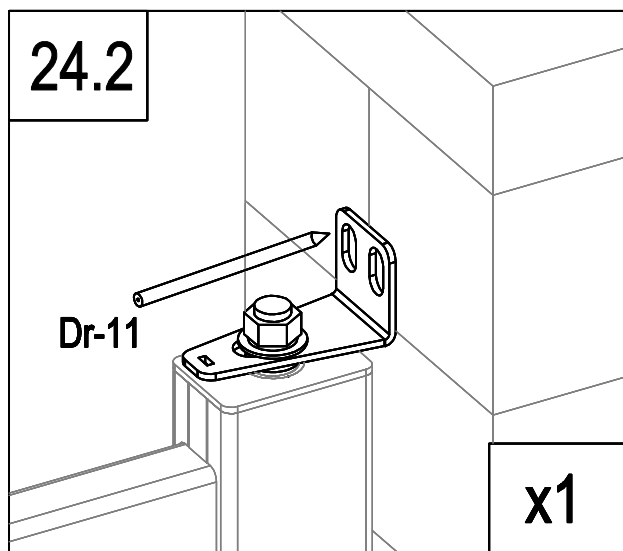
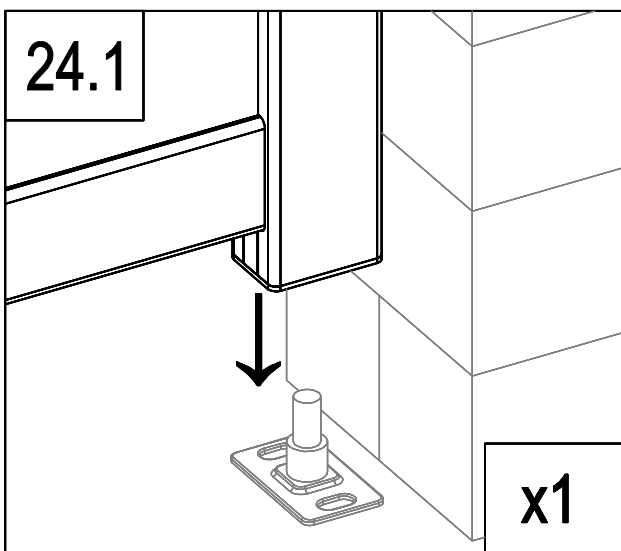
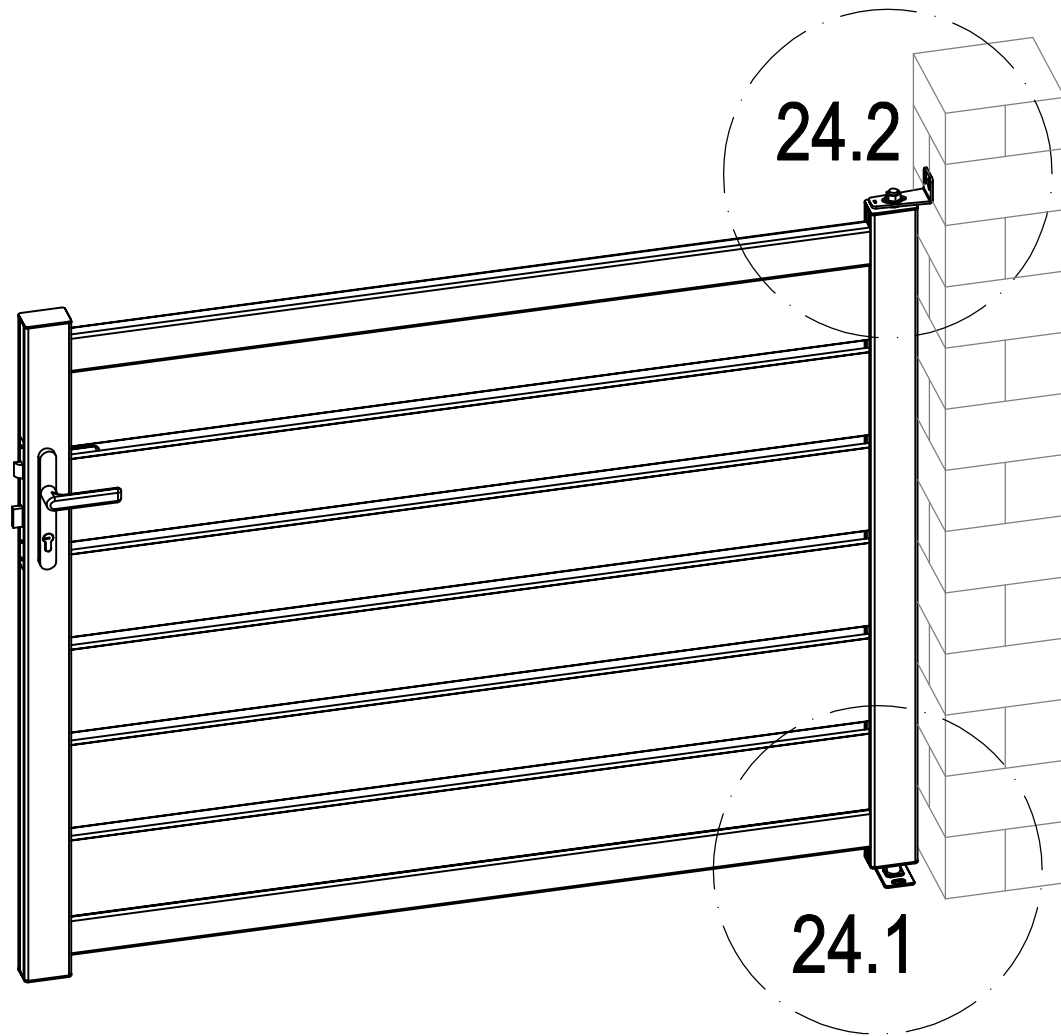
	Dr-18	1
	Dr-19	1
	Dr-25a	2
	Dr-27	2

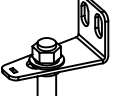



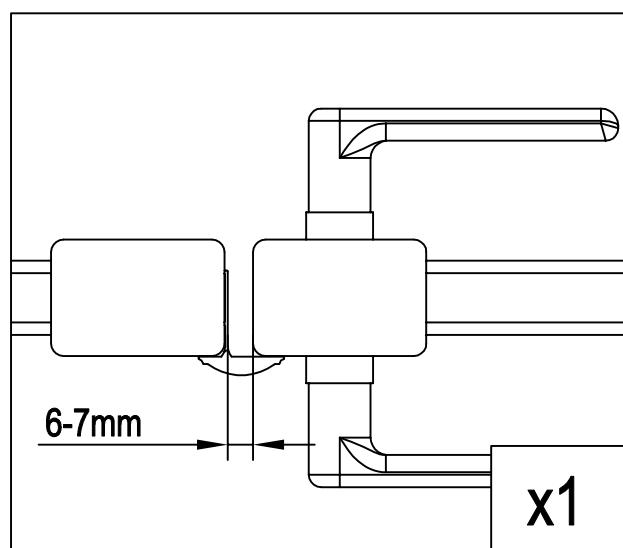
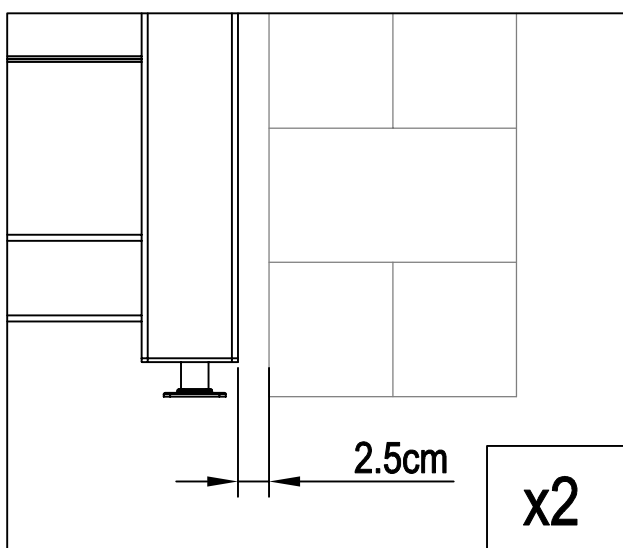
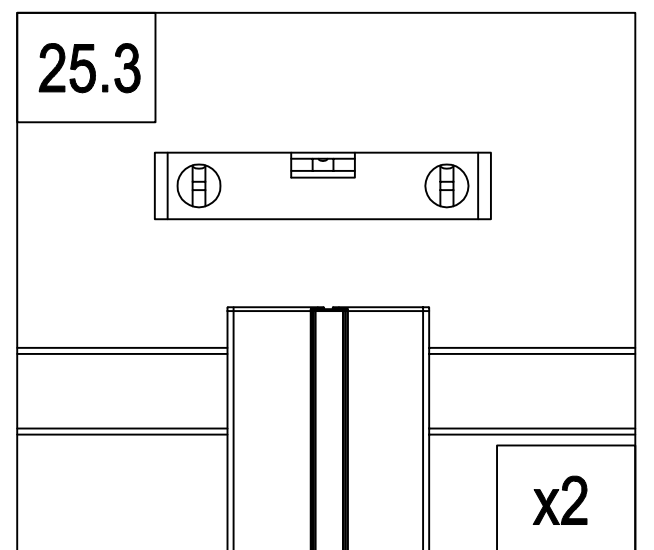
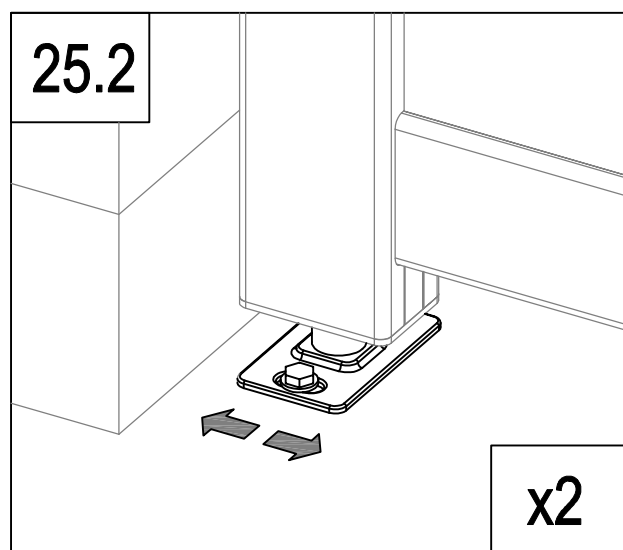
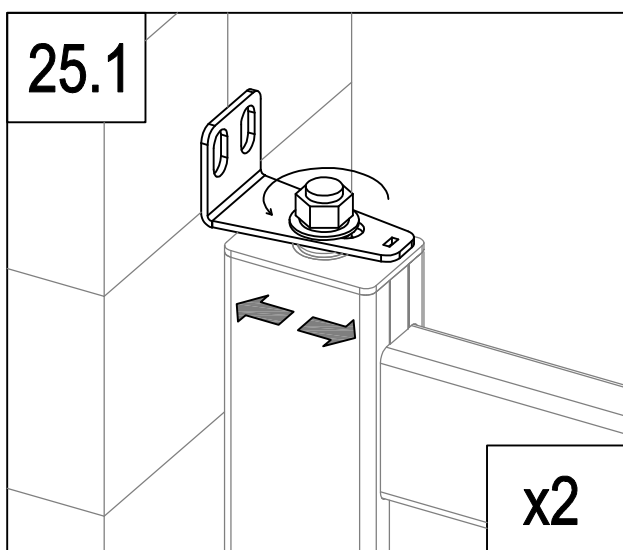
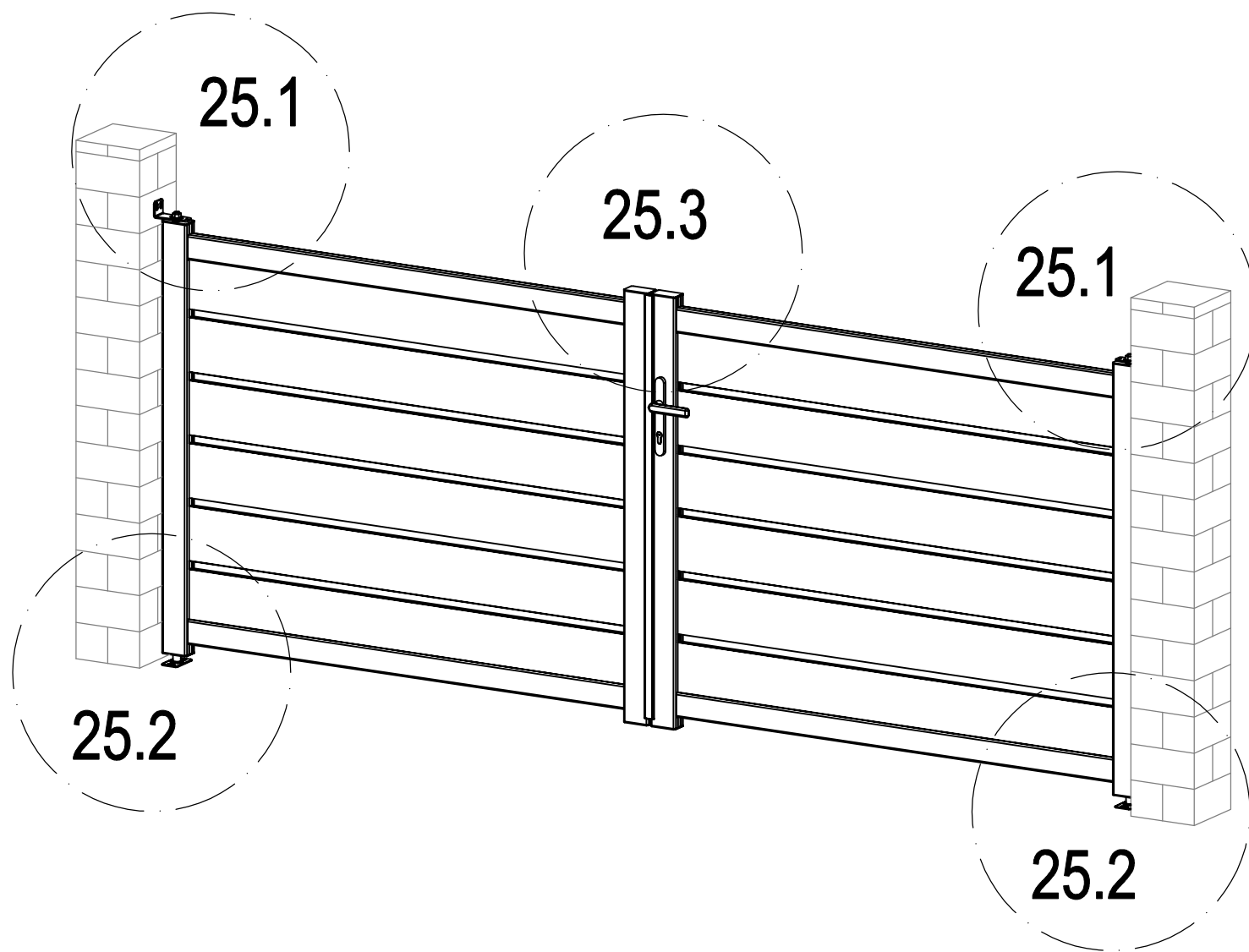
	Dr-12	2
	VT-X32	4

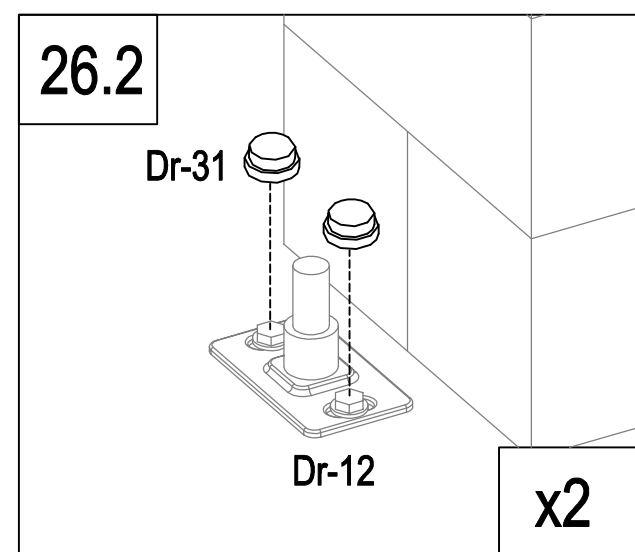
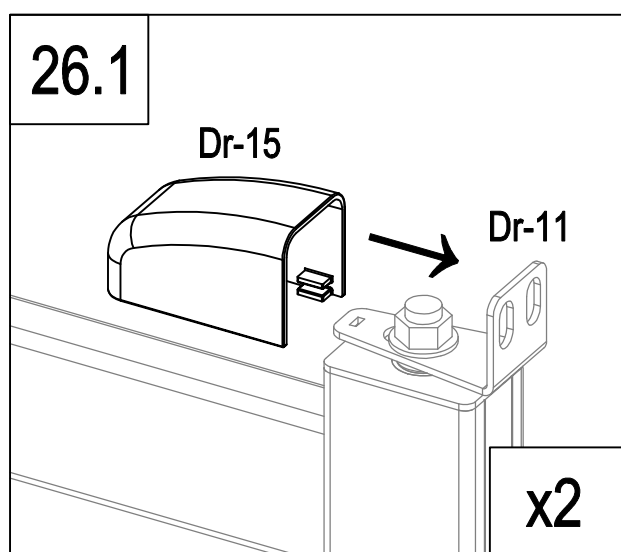
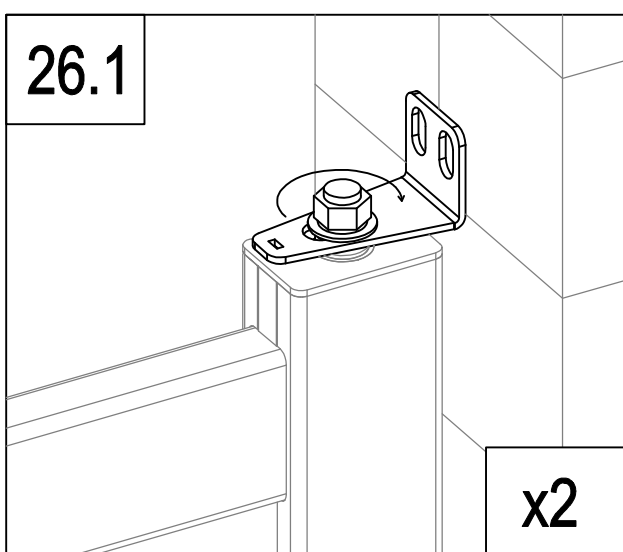
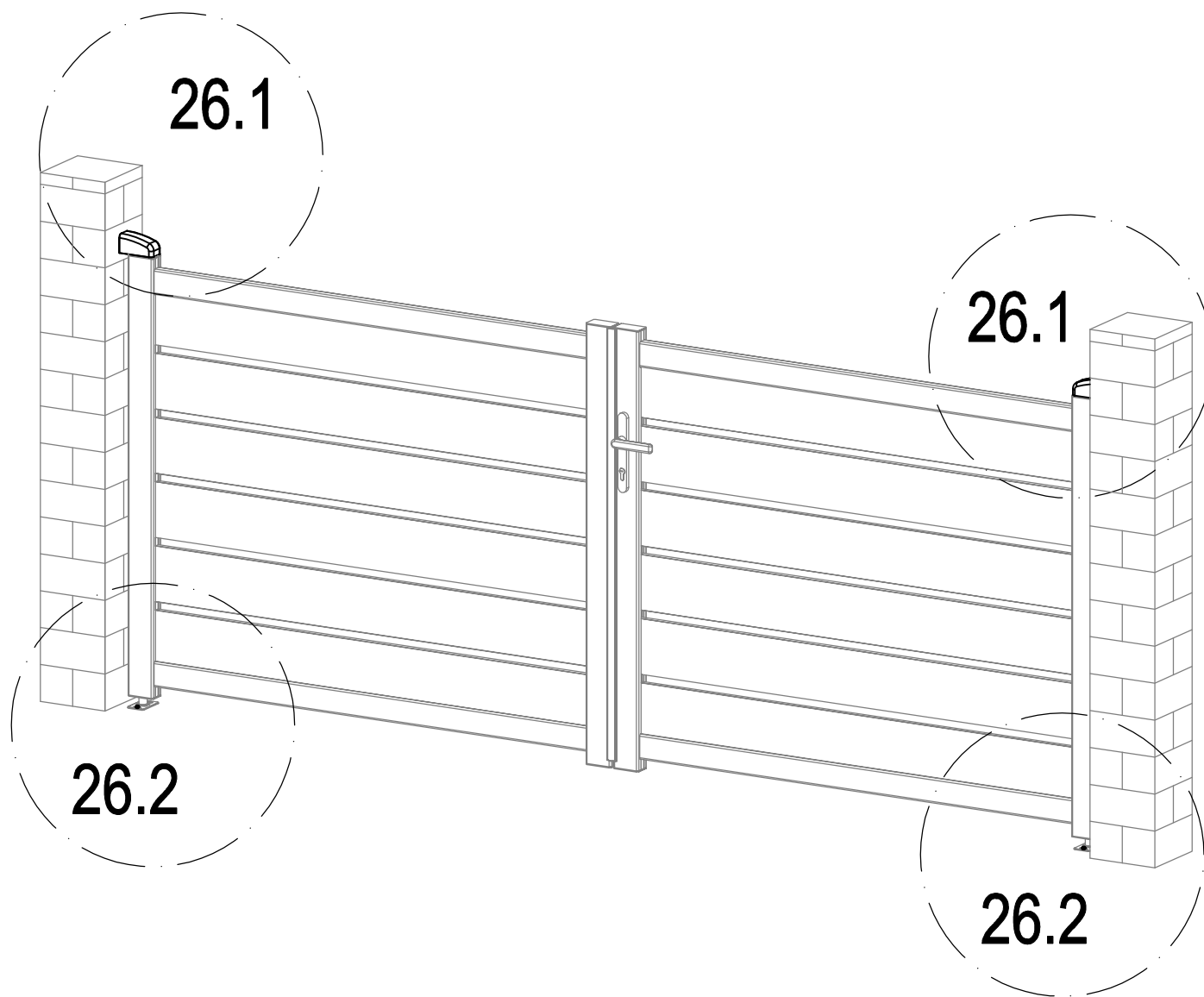


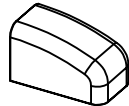

	Dr-11	1
	VT-X32	2

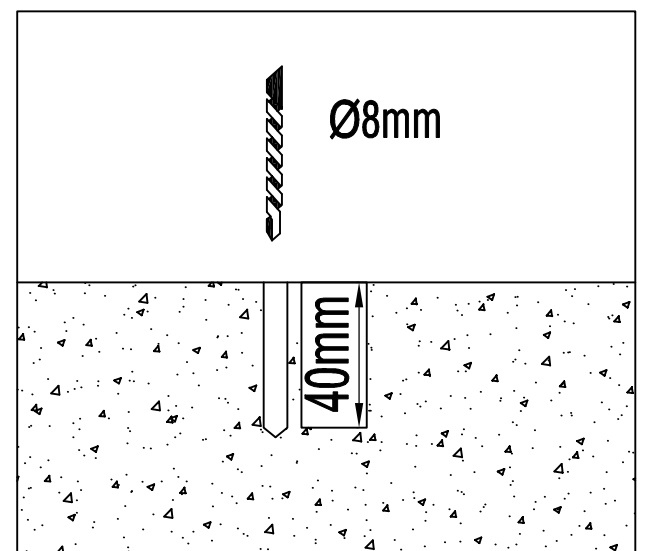
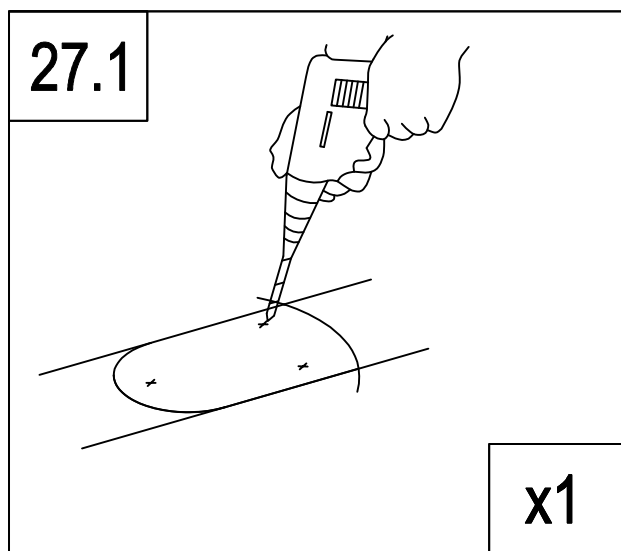
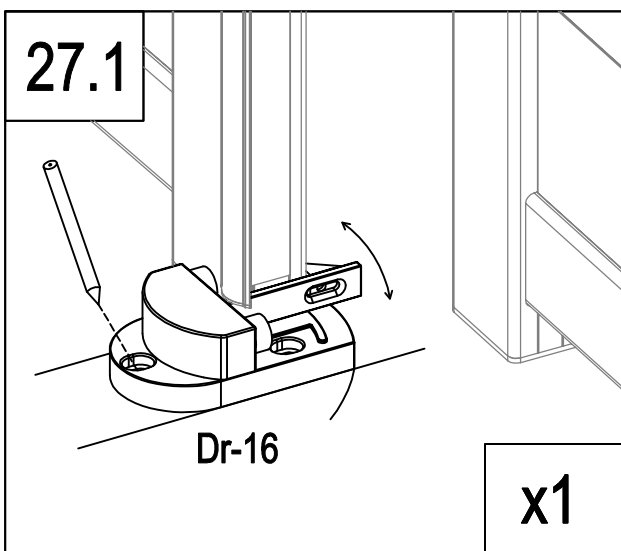
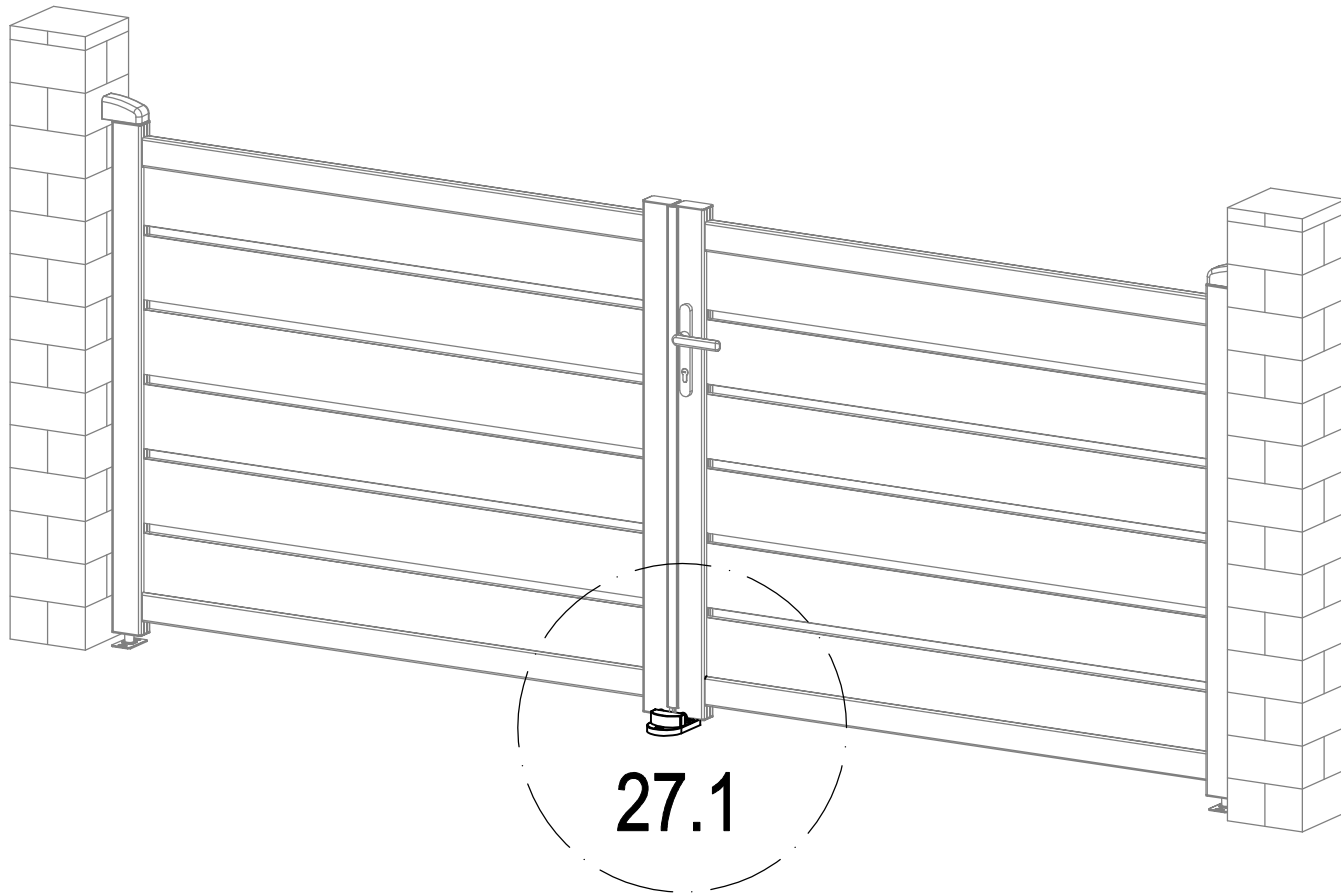


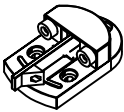


	Dr-11	1
	VT-X32	2

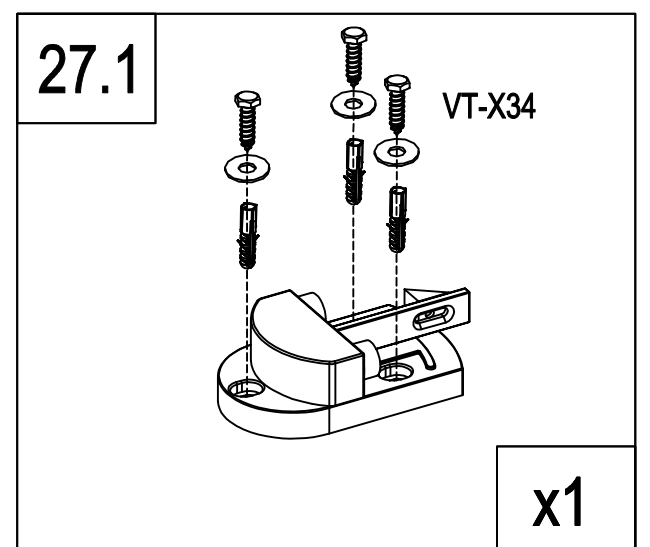




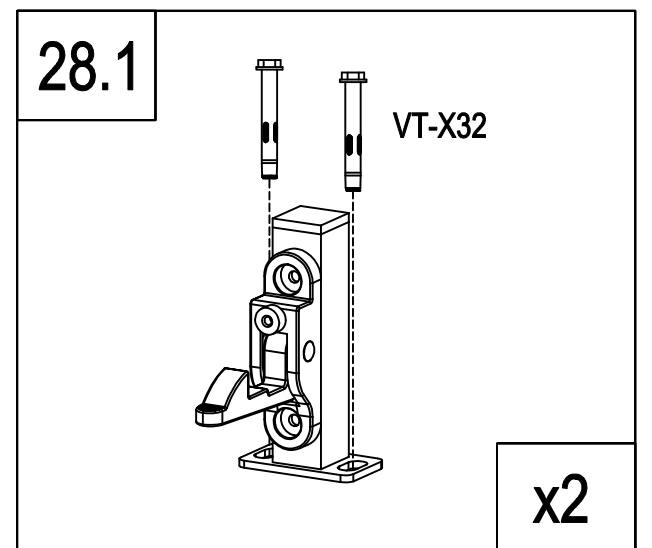
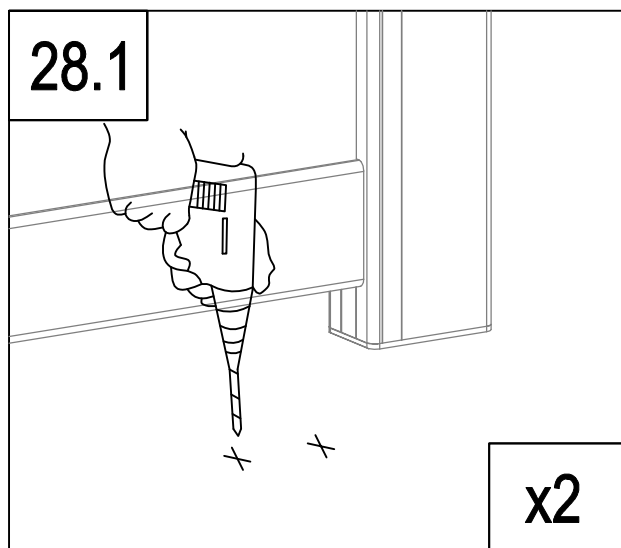
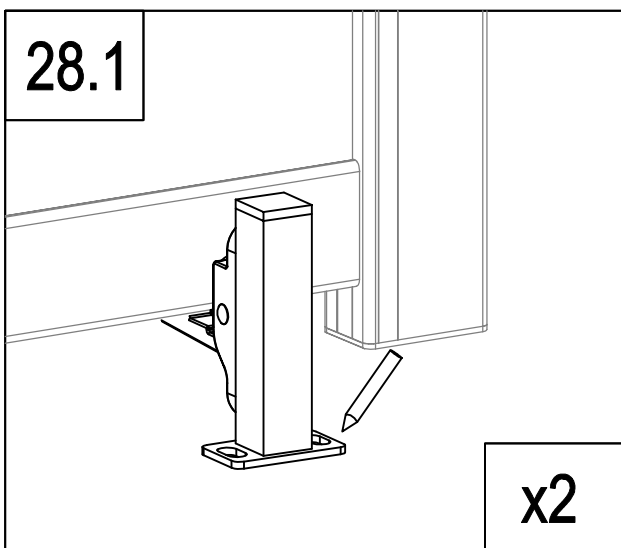
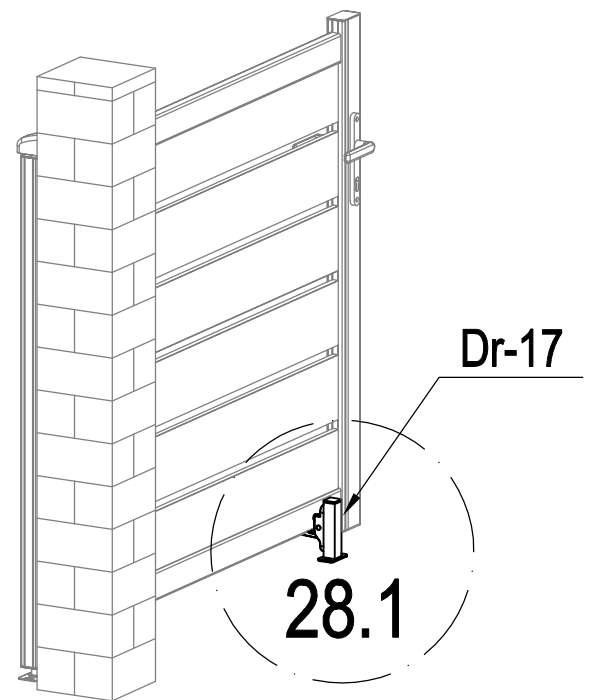
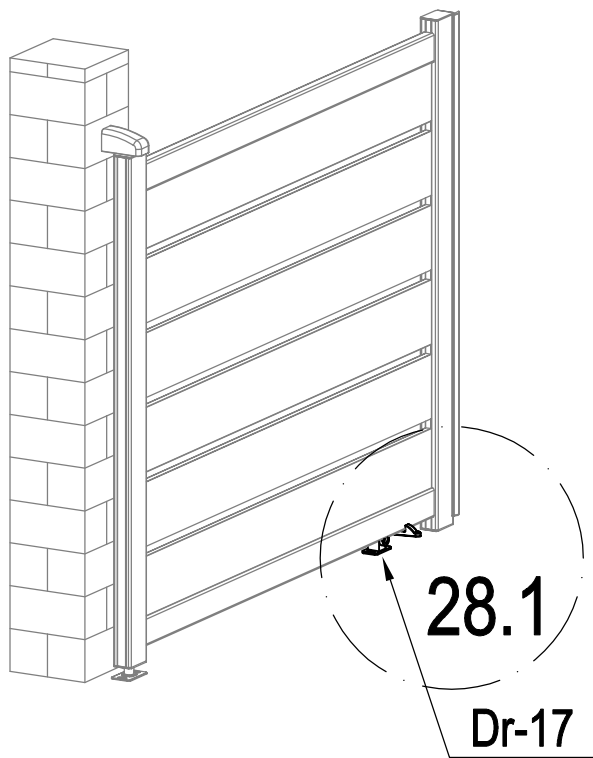
	Dr-15	2
	Dr-31	4





	Dr-16	1
	VT-X34	3
	VT-X35	3







	VT-X32	4
	Dr-17	2