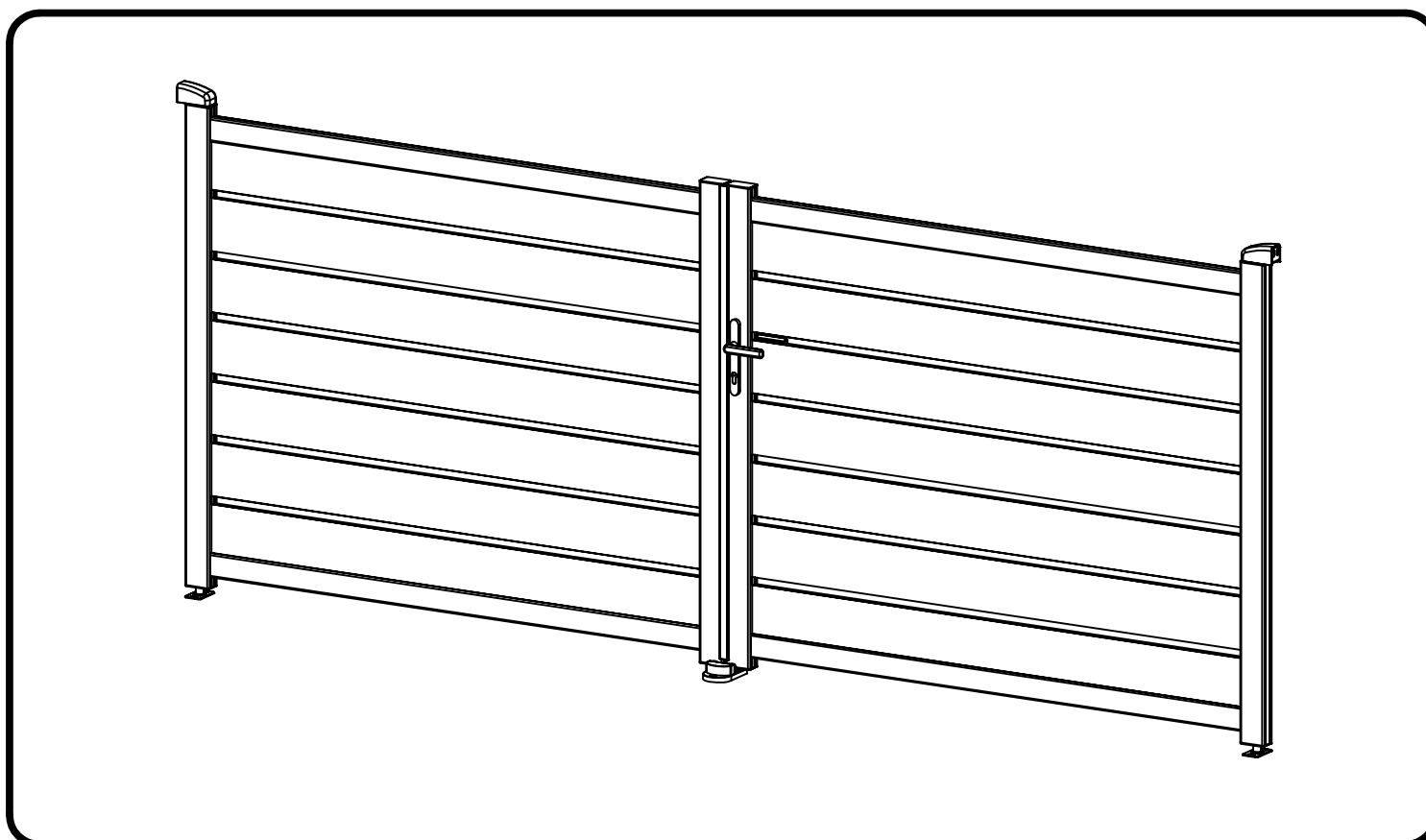


CASANOV

VOGEL 350B140



7-8H



x2

COM-000003

[x1]

COM-000004

[x1]

FR

EN

ES

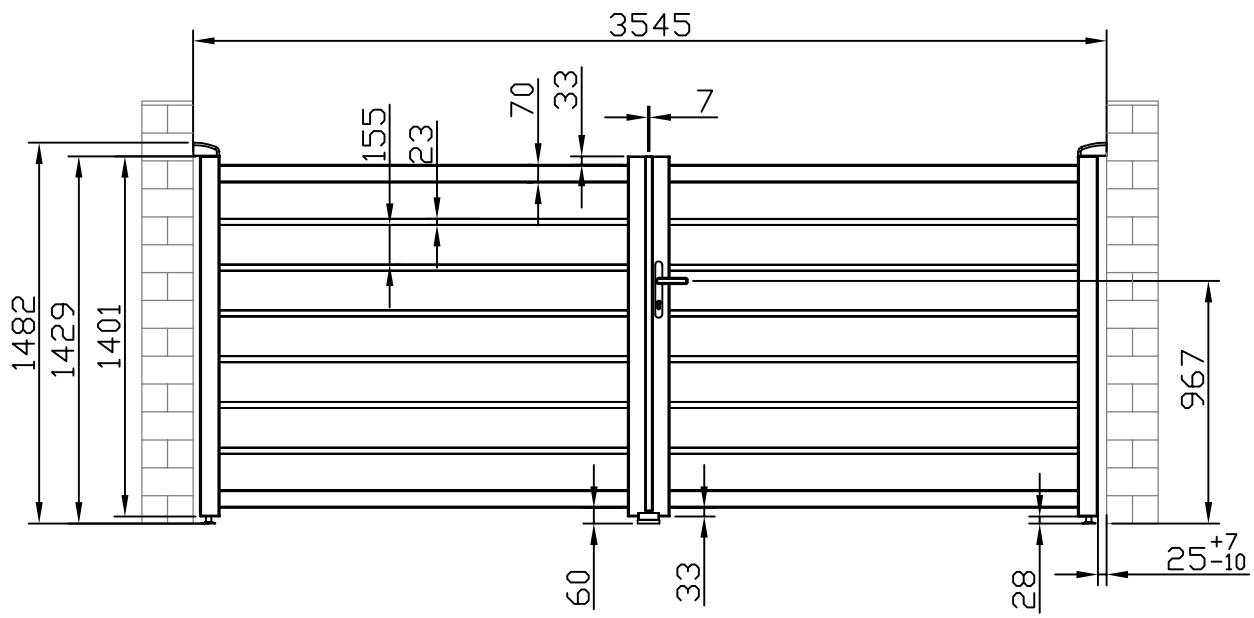
DE

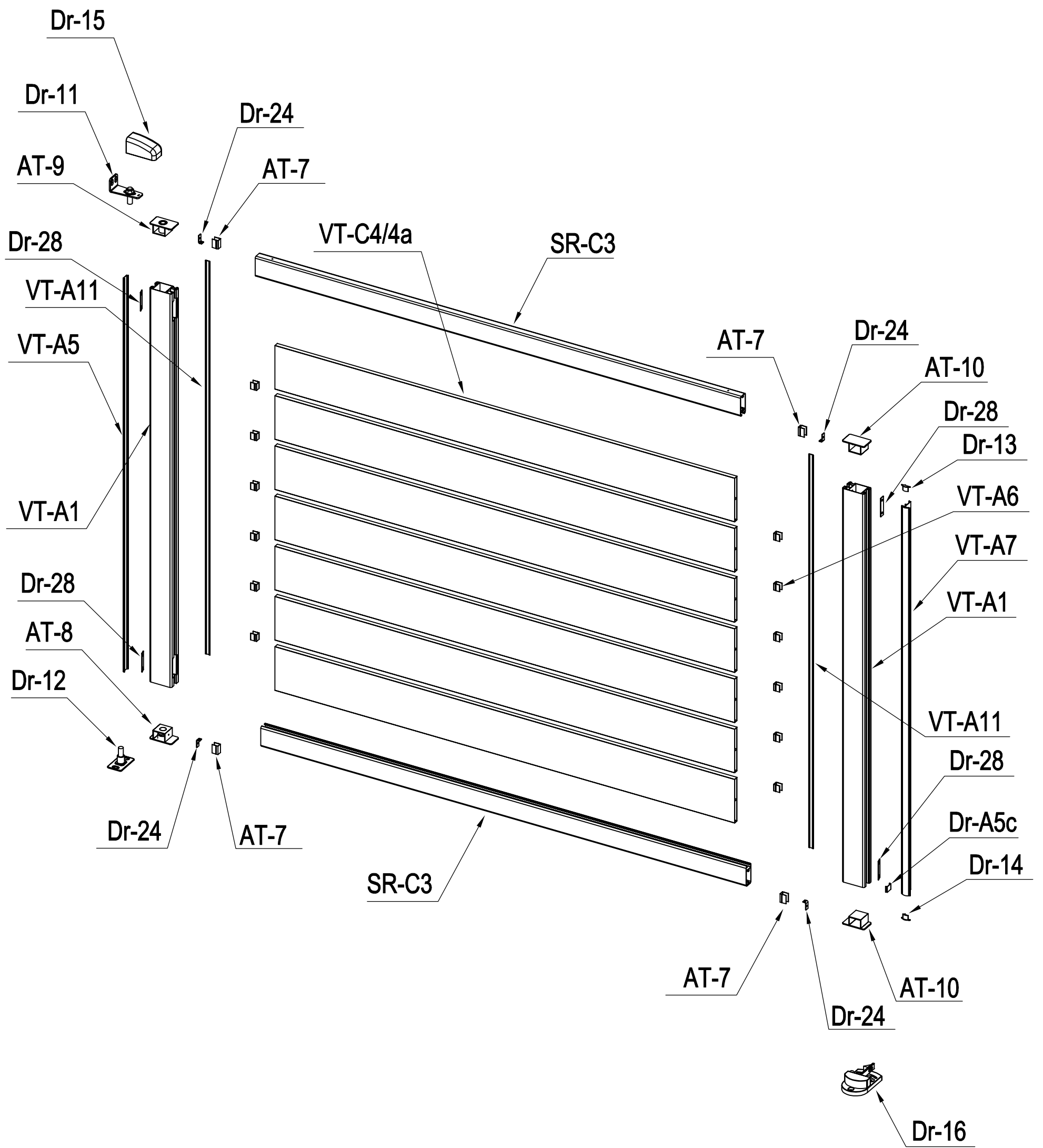
IT

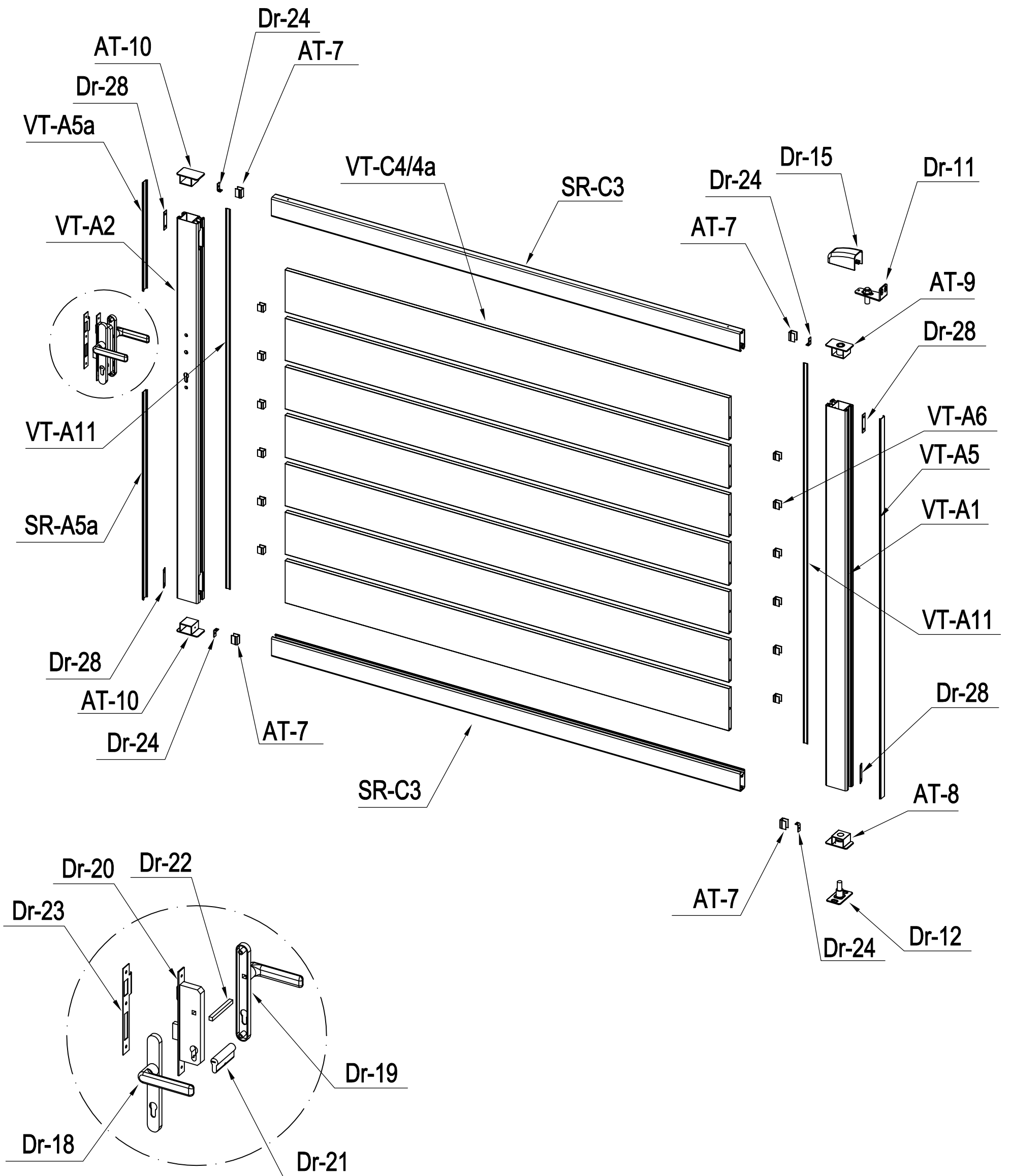
NL

PL

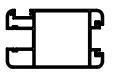
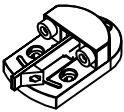
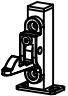
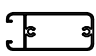

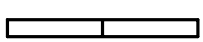
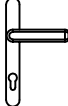

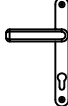
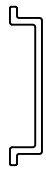




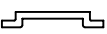
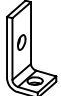
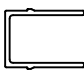




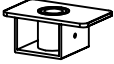





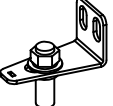

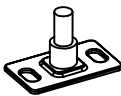



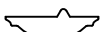

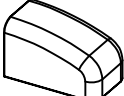




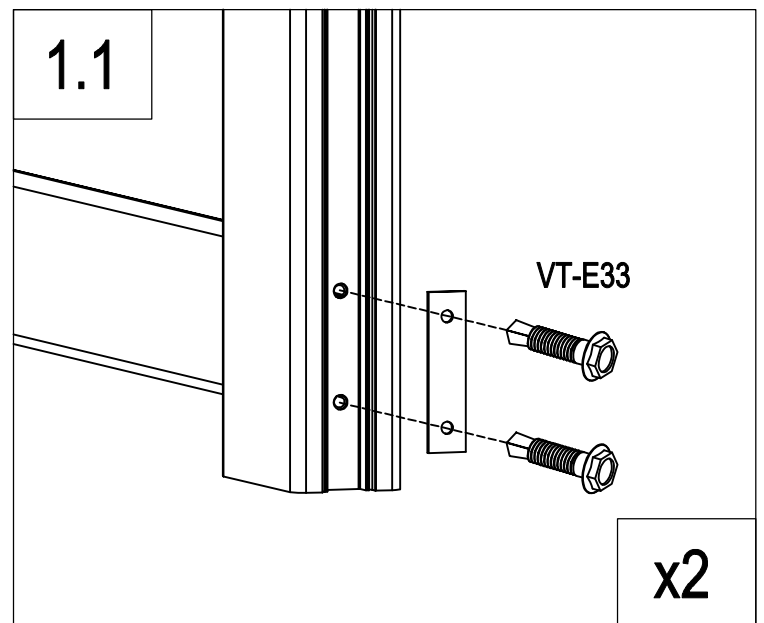
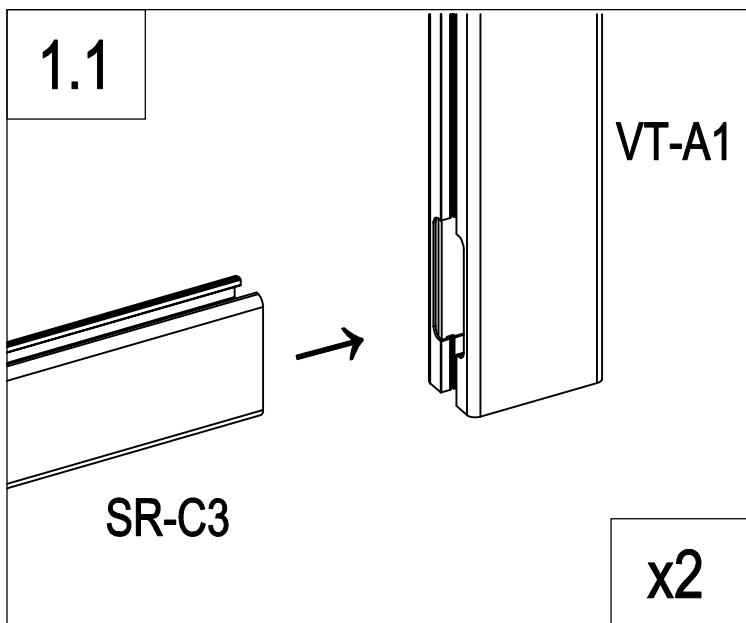
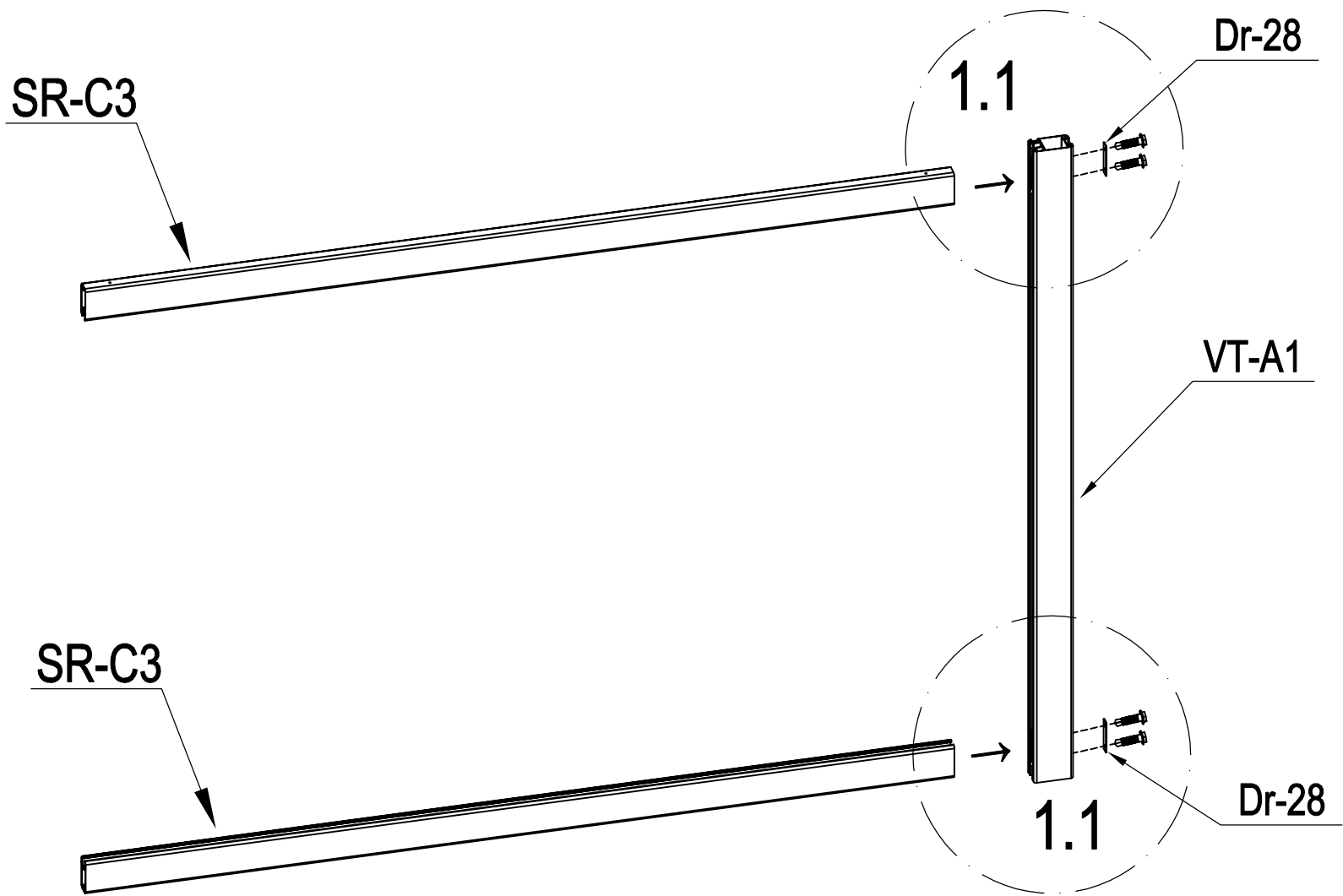


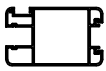
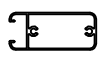

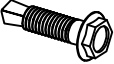


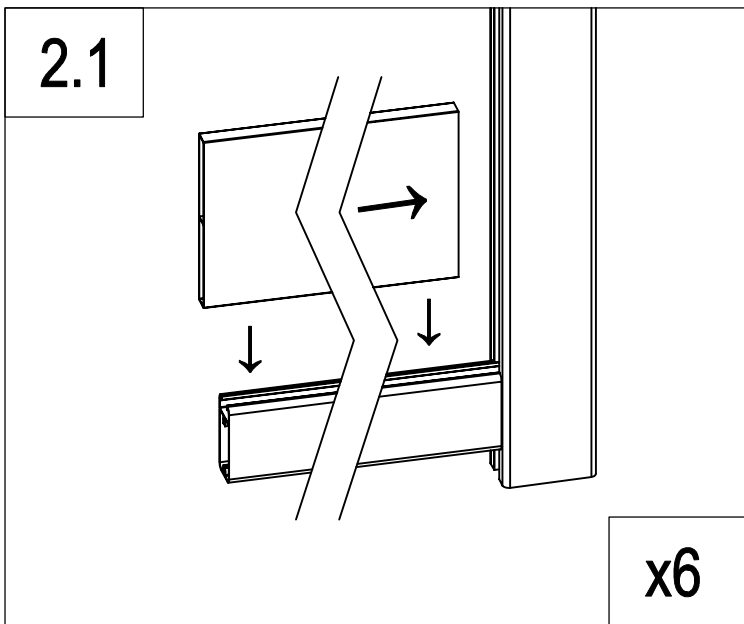
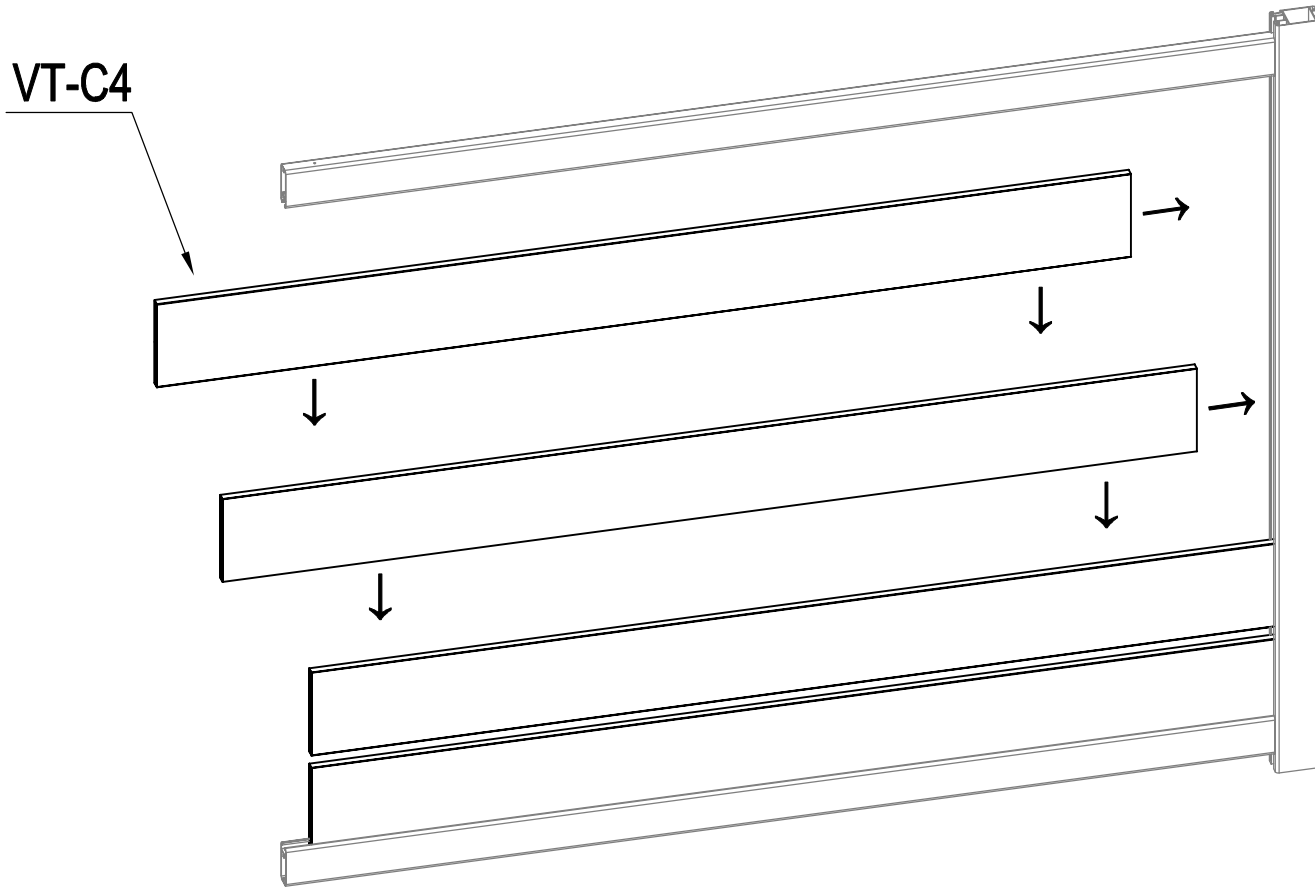


PART LIST

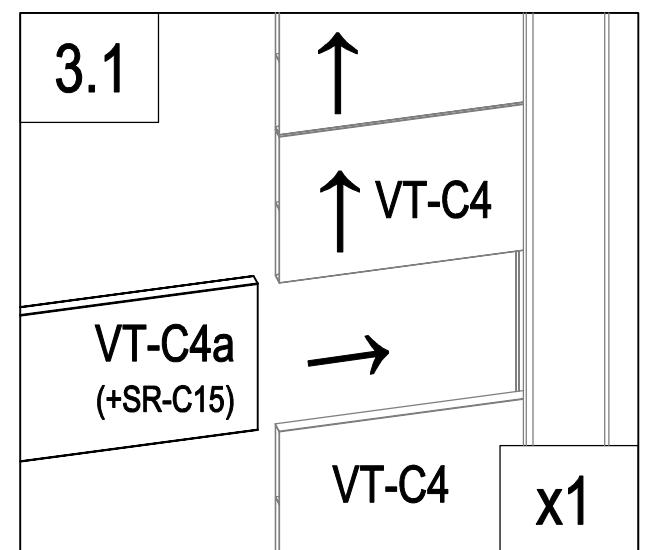
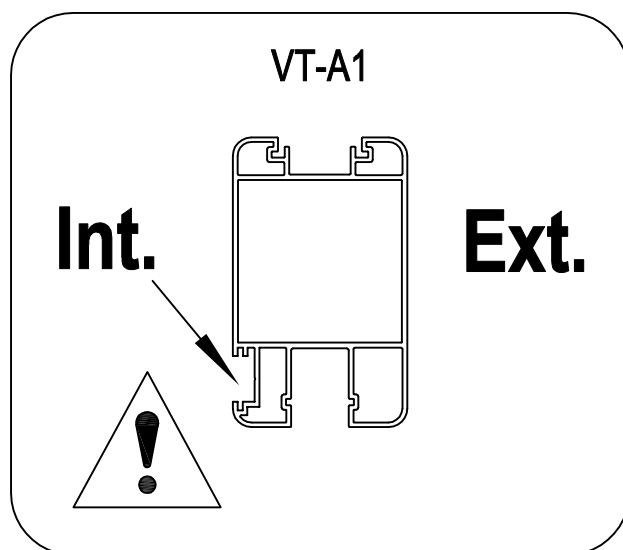
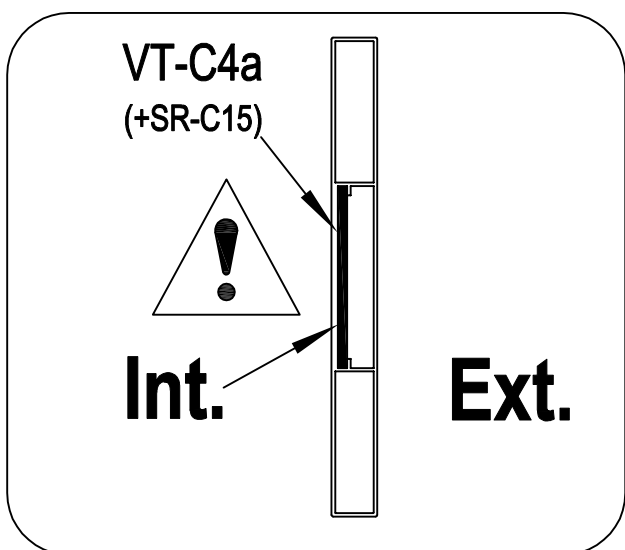
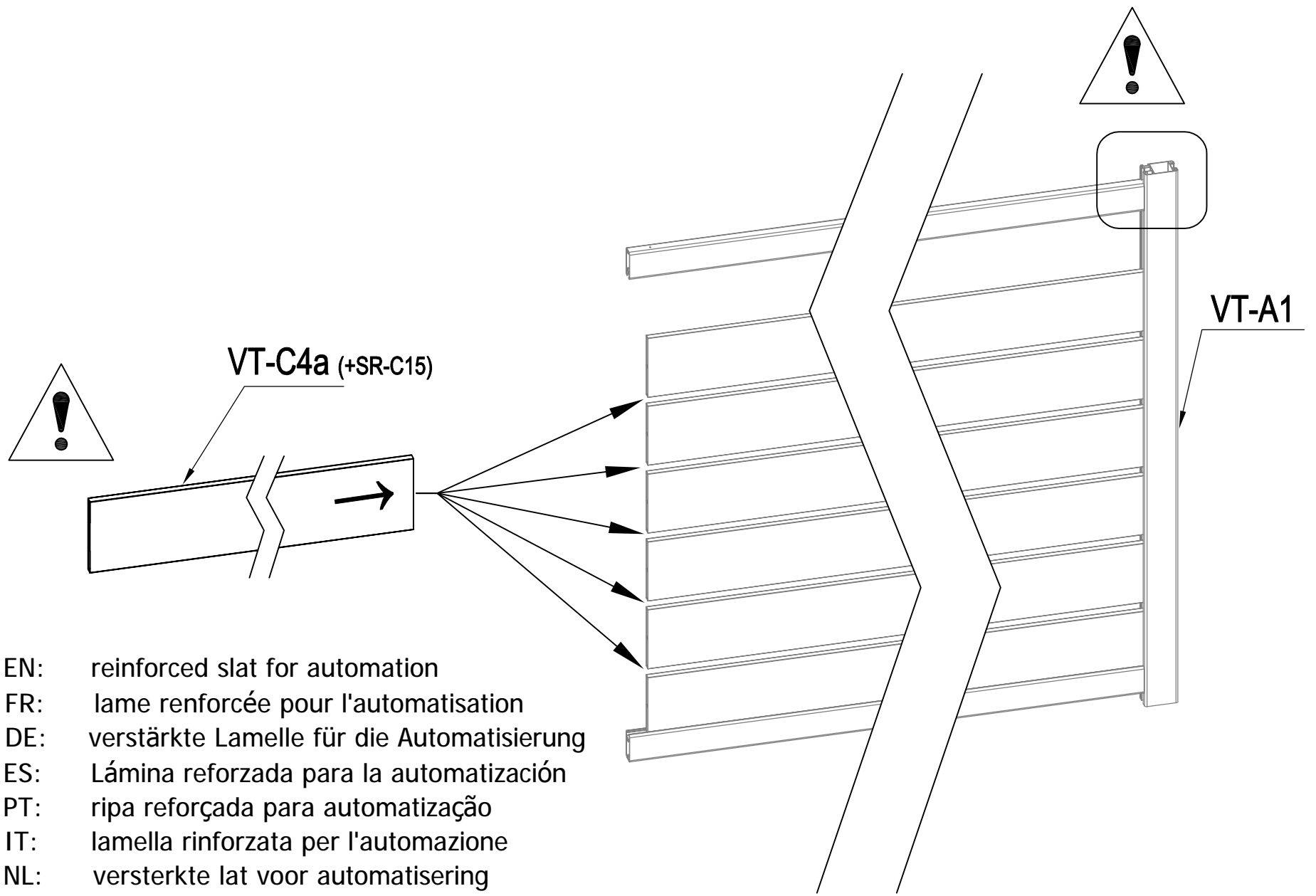
IMAGE	NO.	L.(mm)	QTY	IMAGE	NO.	L.(mm)	QTY
	VT-A1	1395	3		Dr-16		1
	VT-A2	1395	1		Dr-17		2
	SR-C3	1721	4		Dr-31		4
	VT-C4	1630	12		Dr-18		1
	VT-C4a (+SR-C15)	1630	2		Dr-19		1
	VT-A5	1395	2		Dr-20		1
	VT-A5a	372.5	1		Dr-21		1
	SR-A5a	782	1		Dr-22		1
	Dr-A5c	19.5	1		Dr-23		1
	VT-A11	1395	4		Dr-24		8
	VT-A6	23	24		Dr-25		1
	AT-7	29.5	8		Dr-25a		2
	VT-A7	1375	1		Dr-26		3
	AT-8		2		Dr-27		2
	AT-9		2		VT-E30		8
	AT-10		4		VT-E31		8
	Dr-11		2		VT-E32		12
	Dr-12		2		VT-E33		16
	Dr-13		1		VT-E34		3
	Dr-14		1		VT-E35		3
	Dr-15		2		VT-E36		56
					Dr-28		8




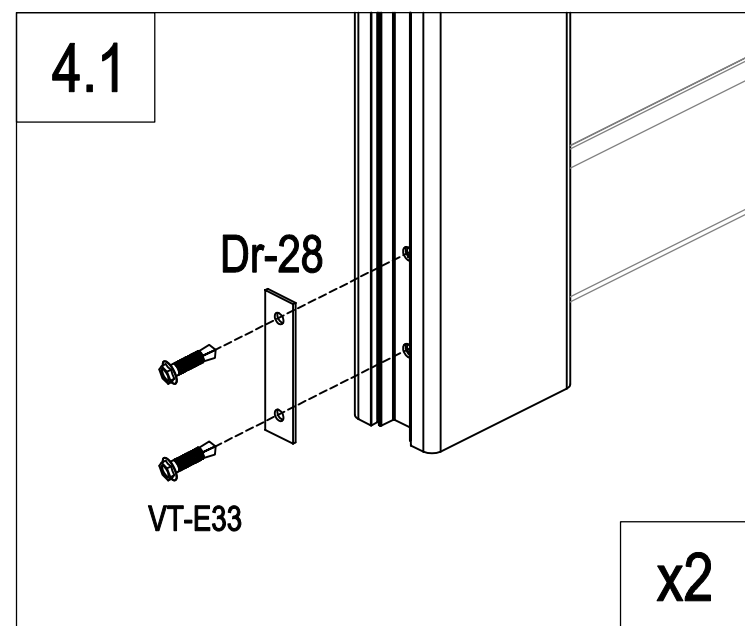
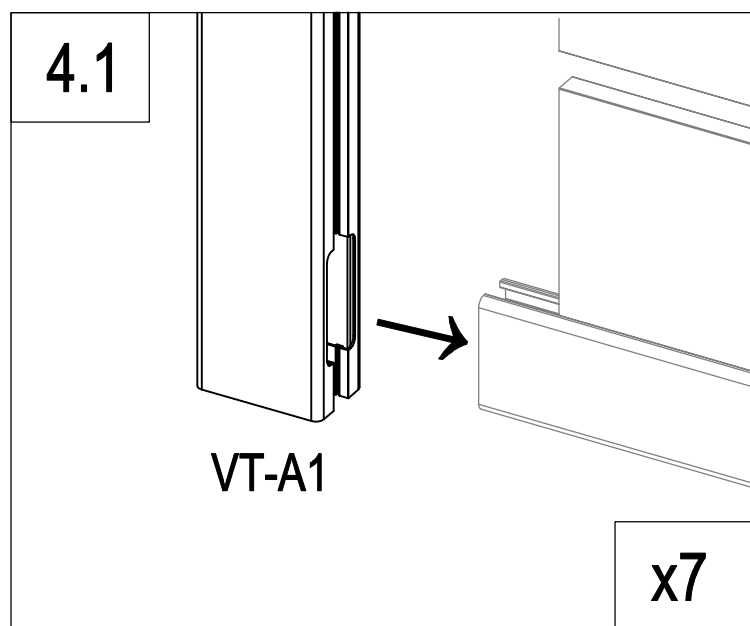
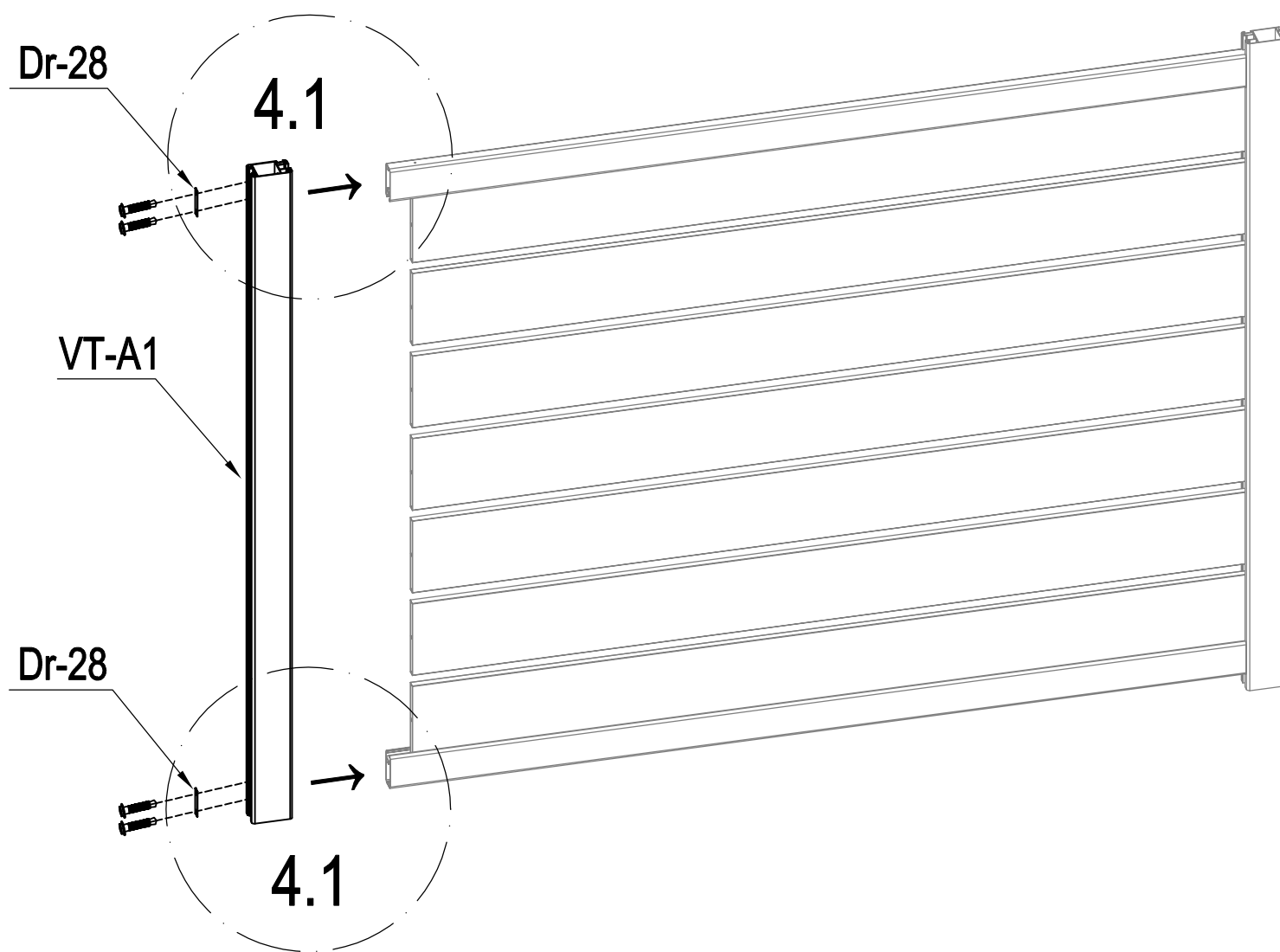
	VT-A1	1
	SR-C3	2
	Dr-28	2
	VT-E33	4

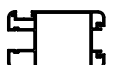




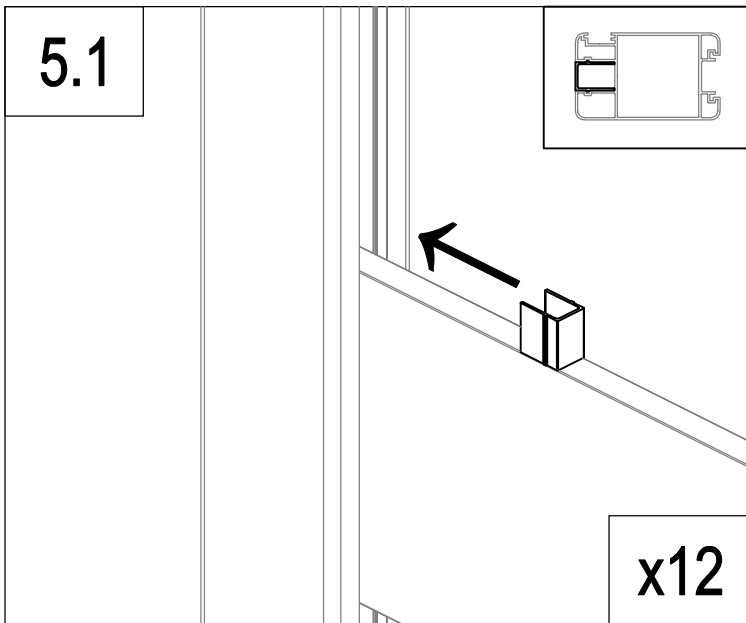
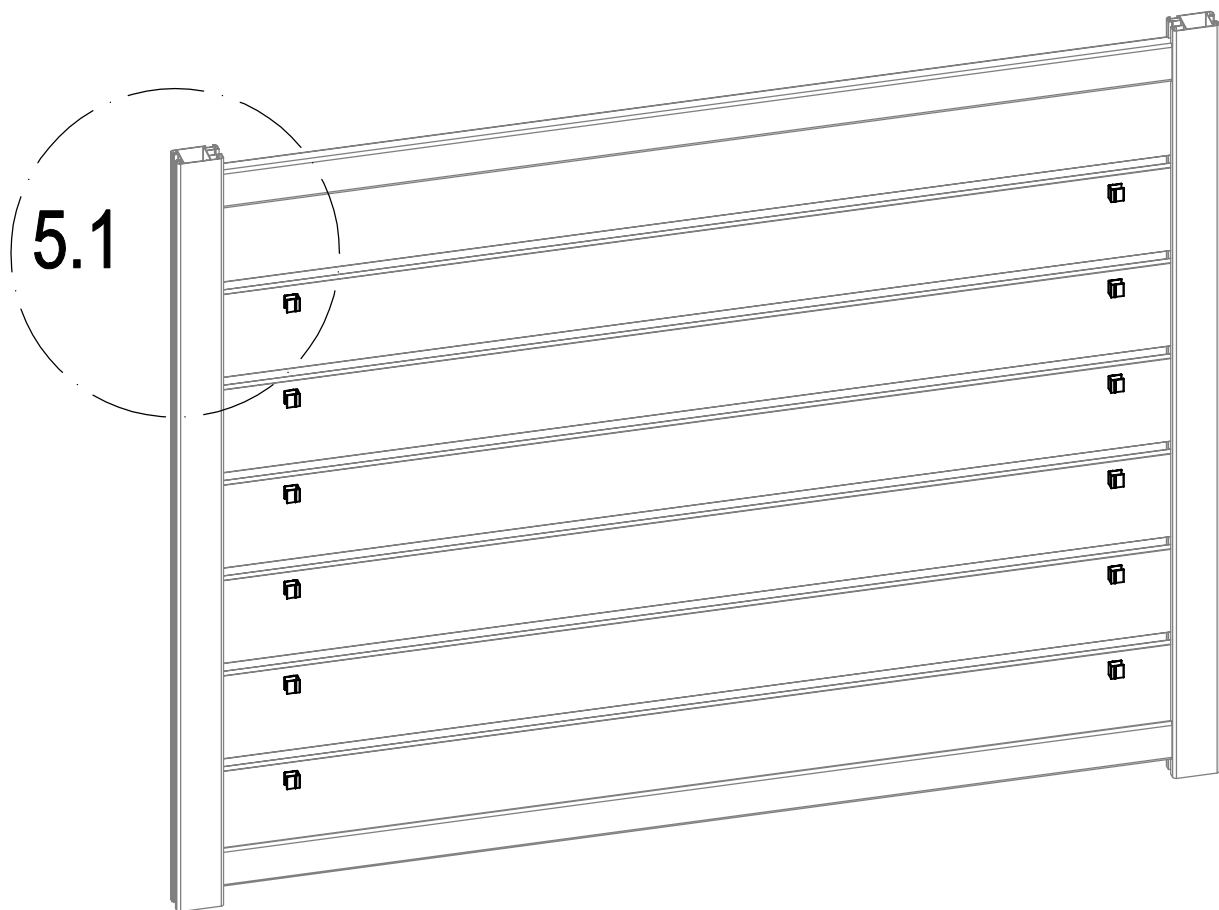
	VT-C4	6
---	-------	---



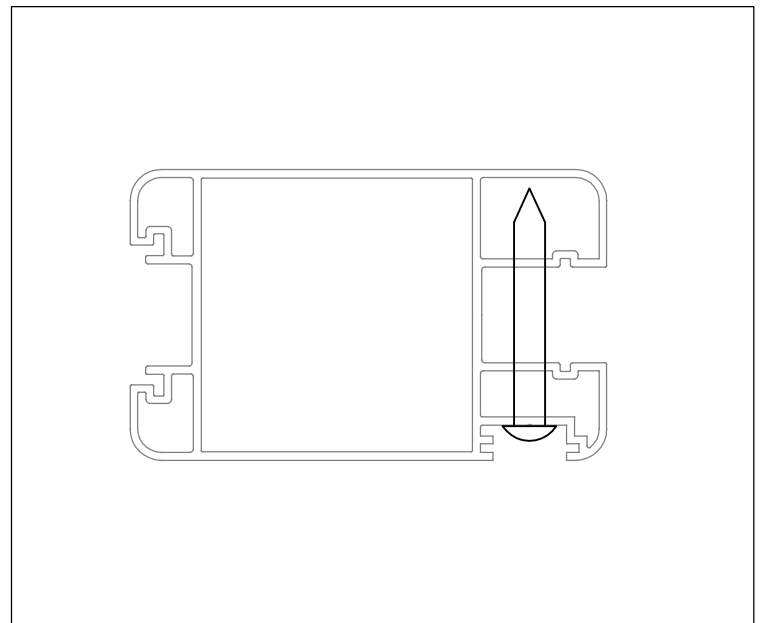
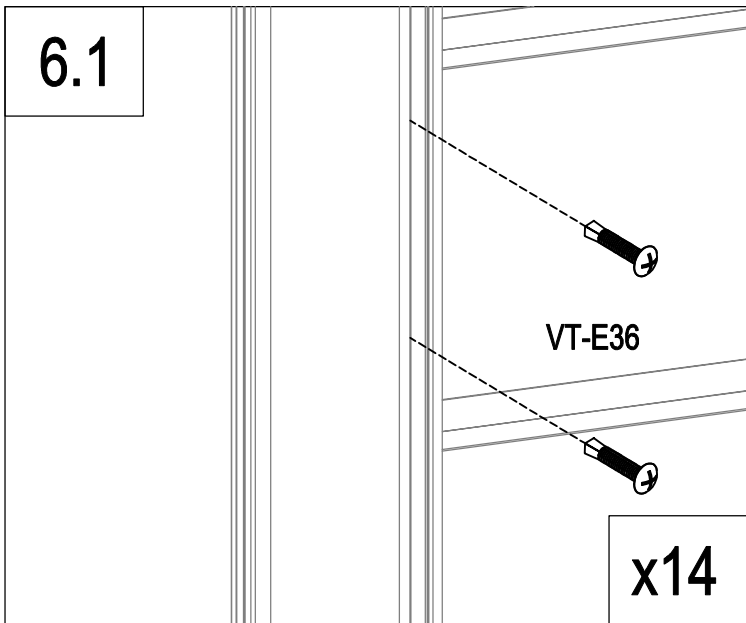
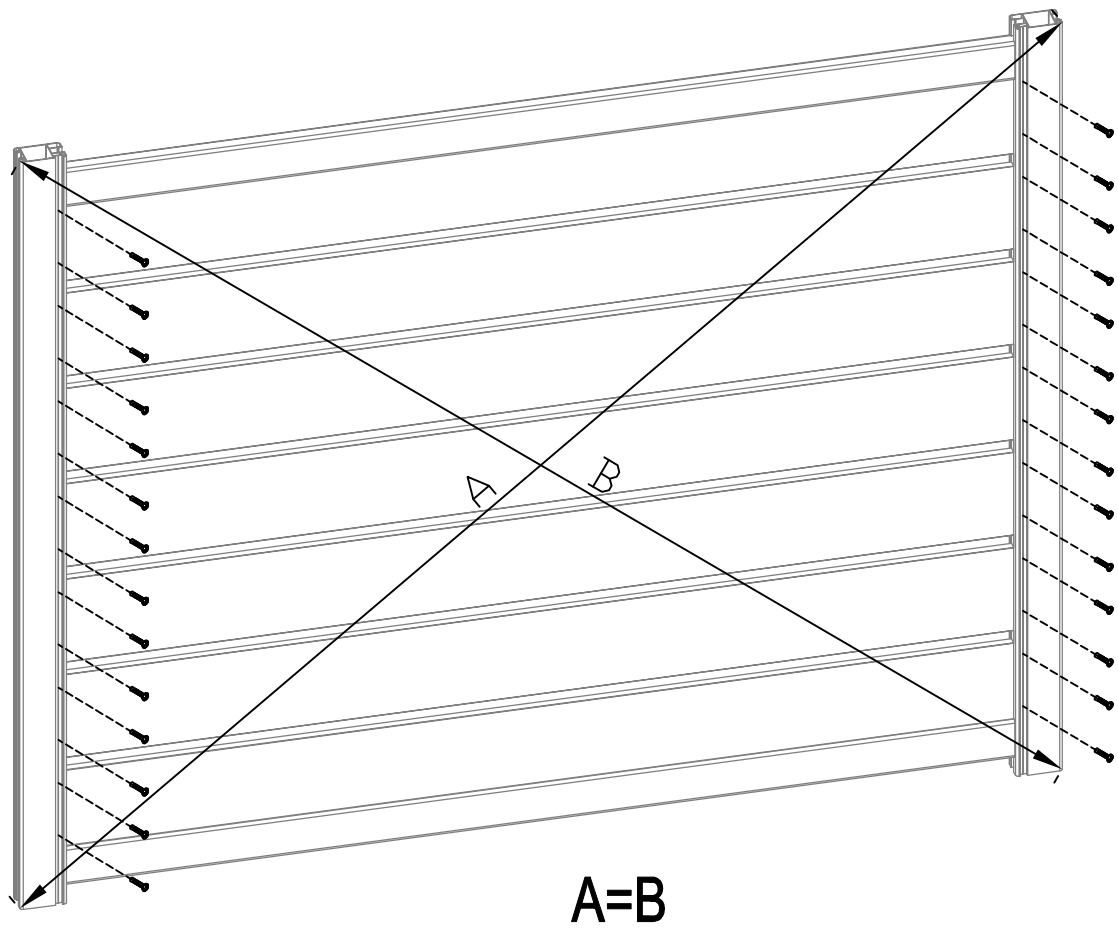
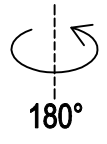
	VT-C4a (+SR-C15)	1
---	------------------	---



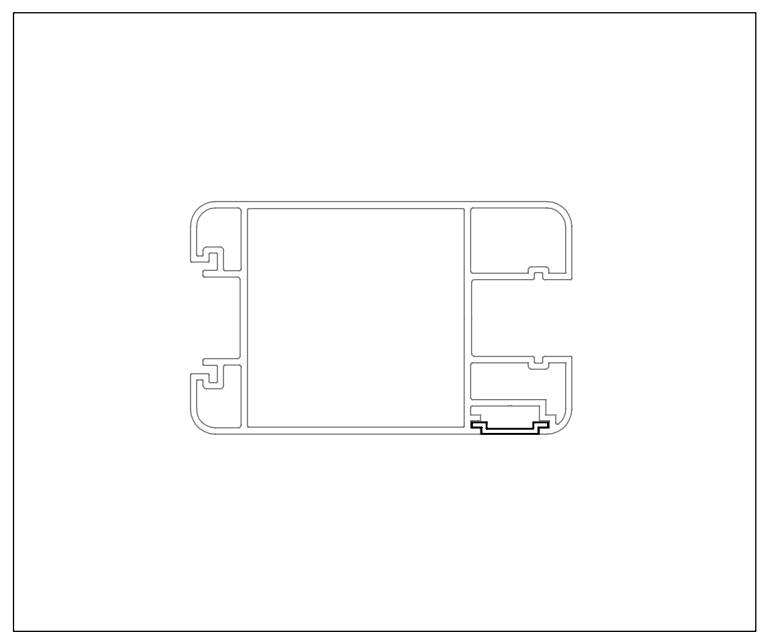
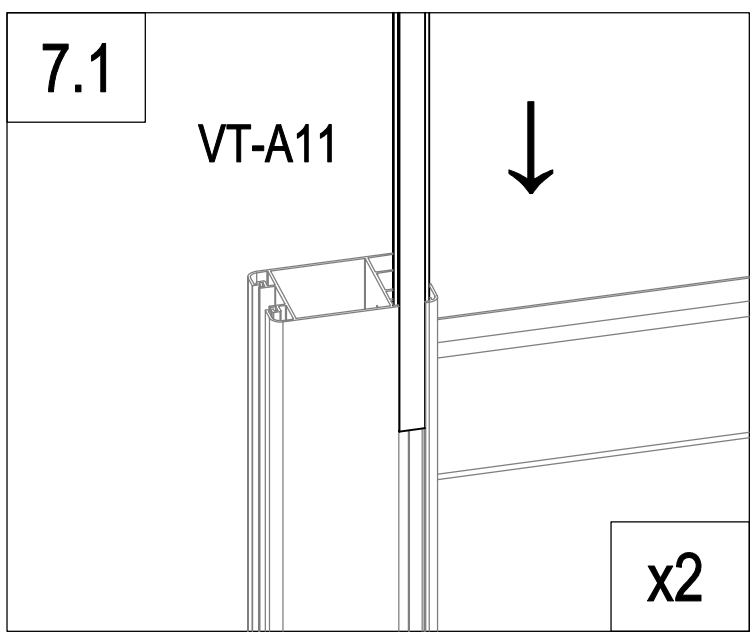
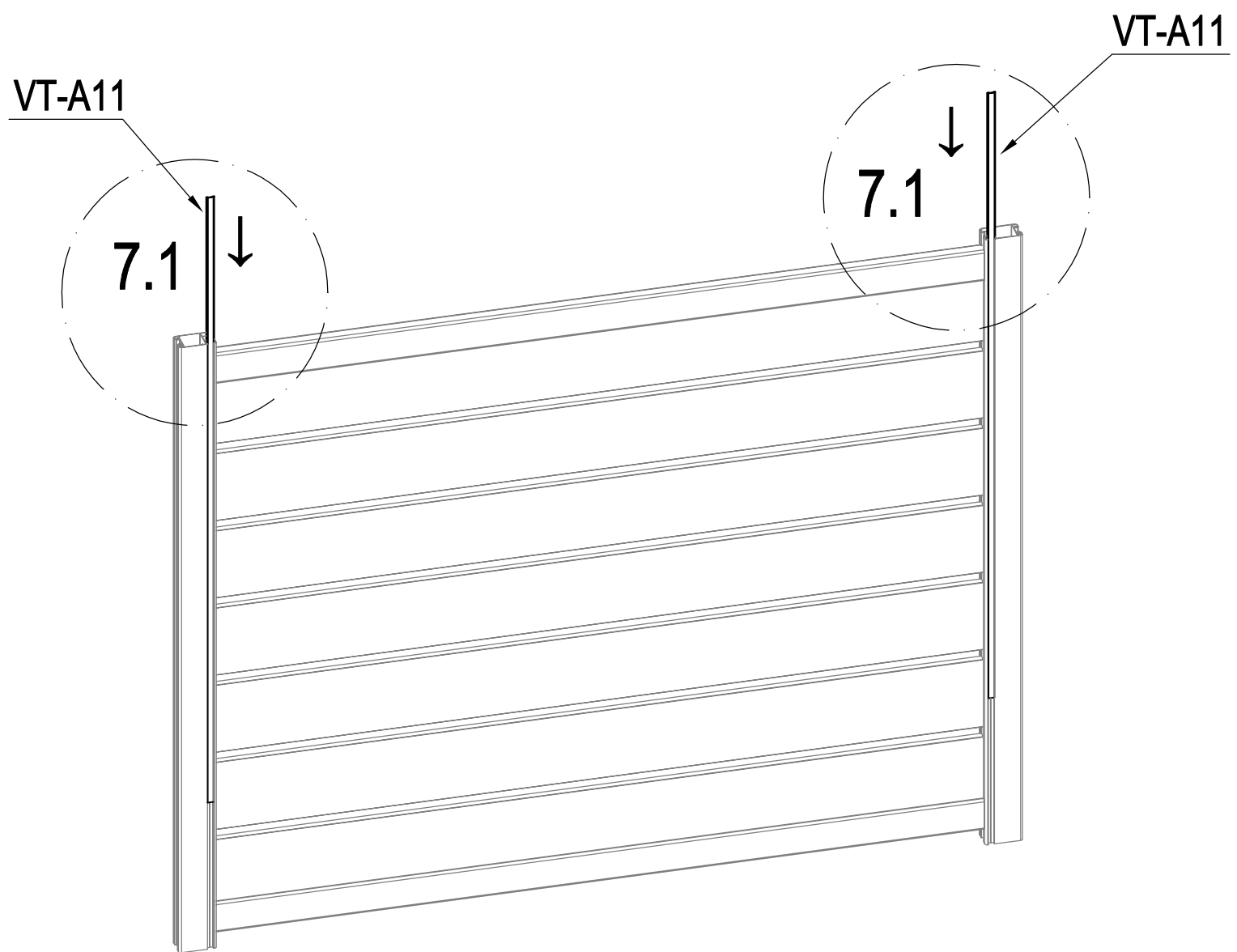
	VT-A1	1
	Dr-28	2
	VT-E33	4

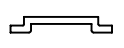


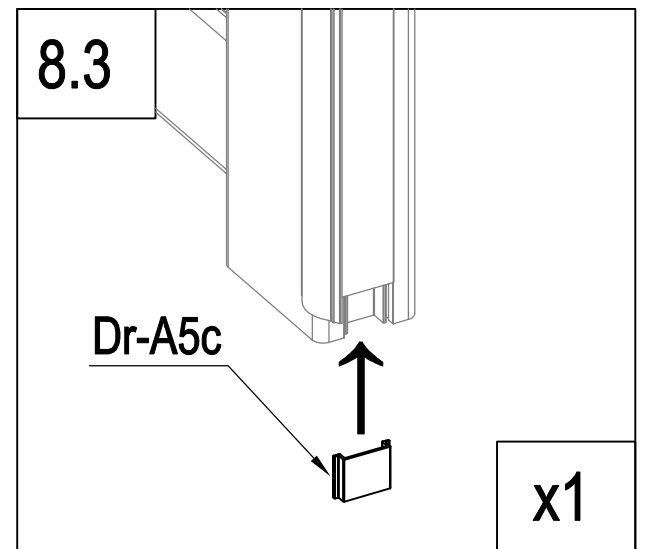
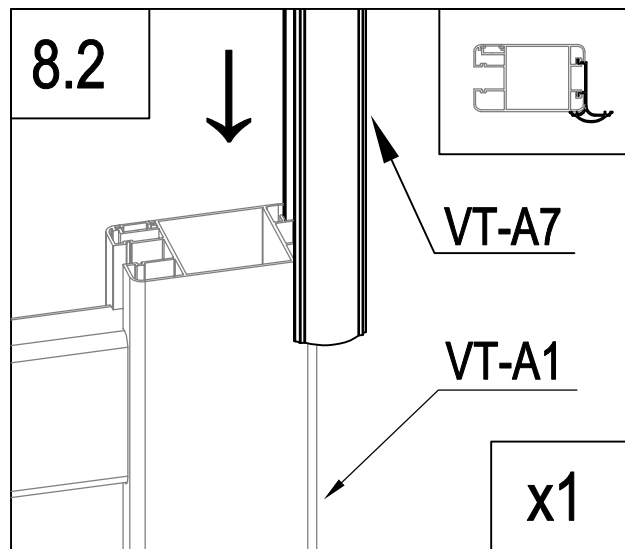
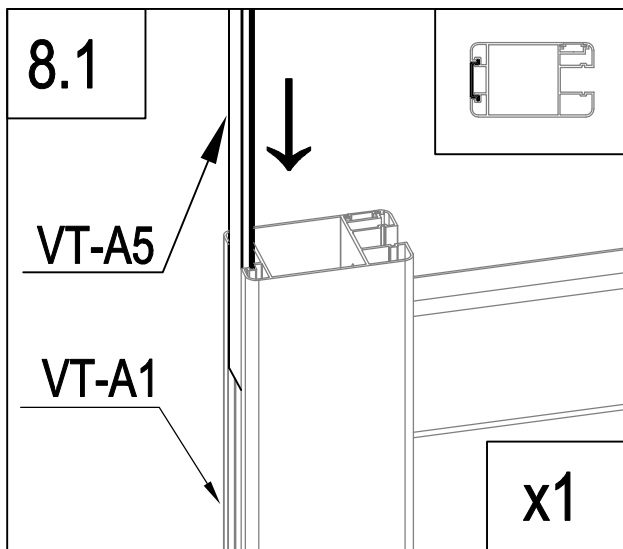
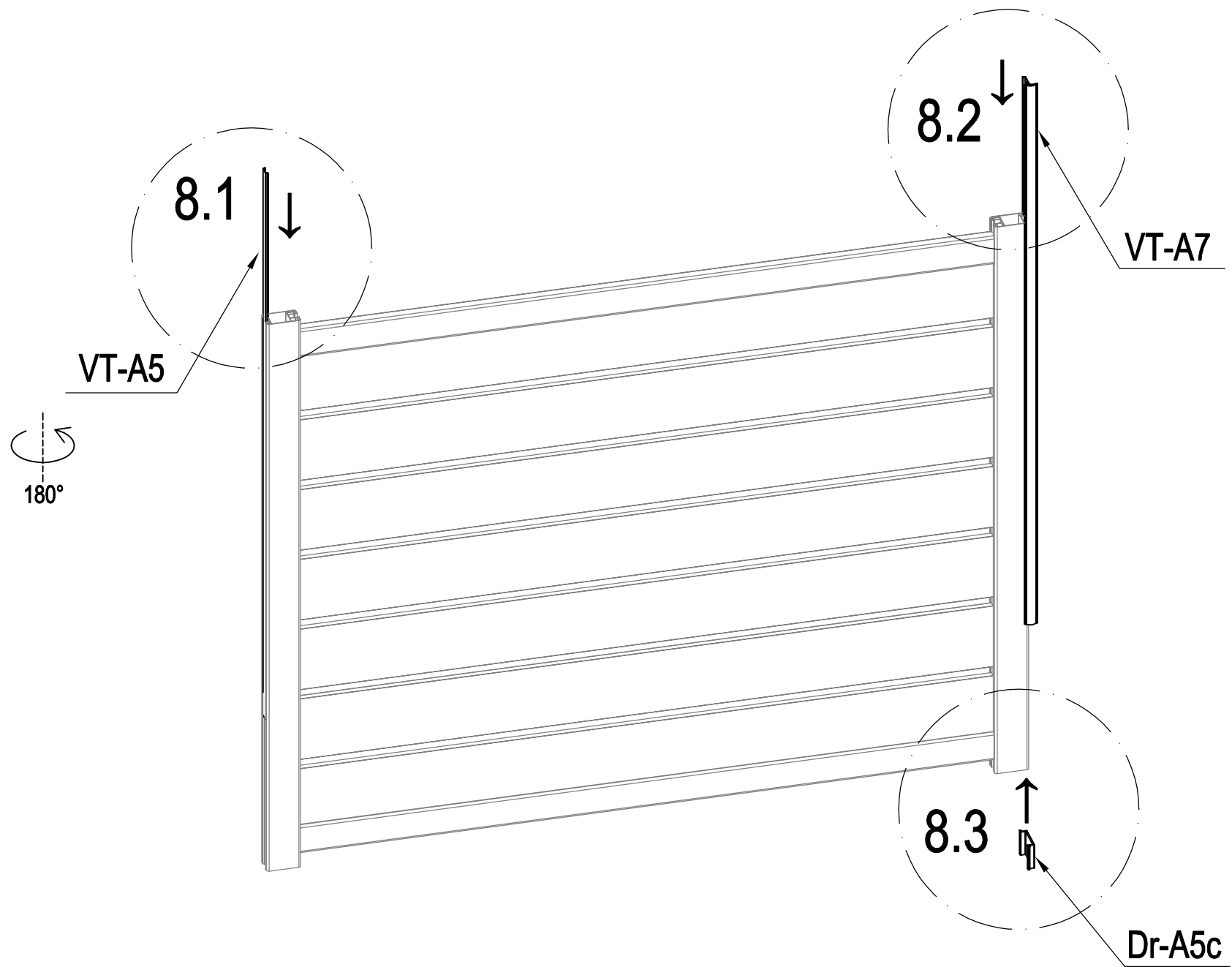
	VT-A6	12
---	-------	----

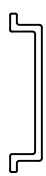
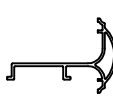


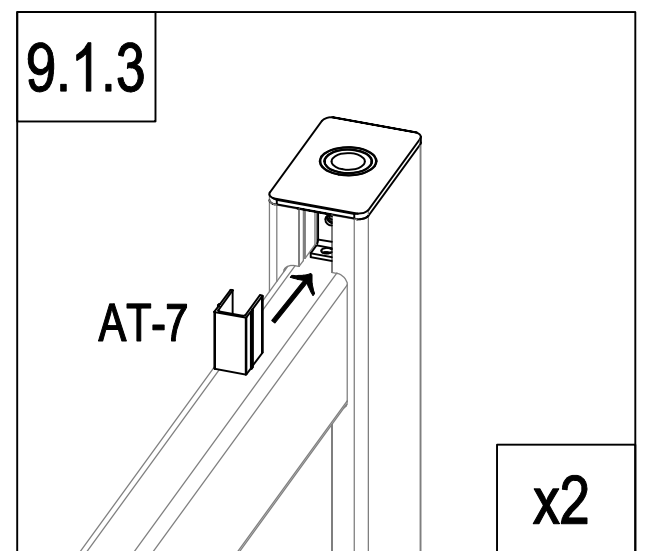
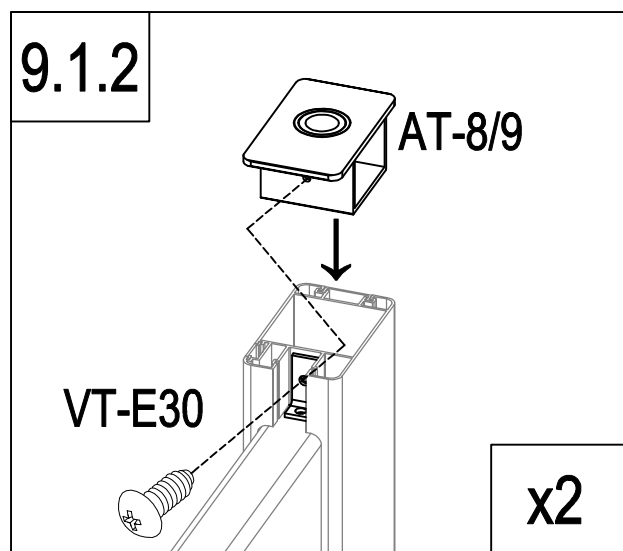
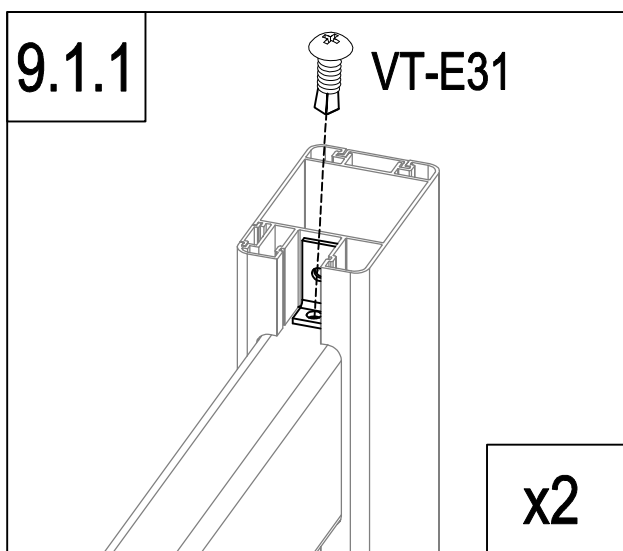
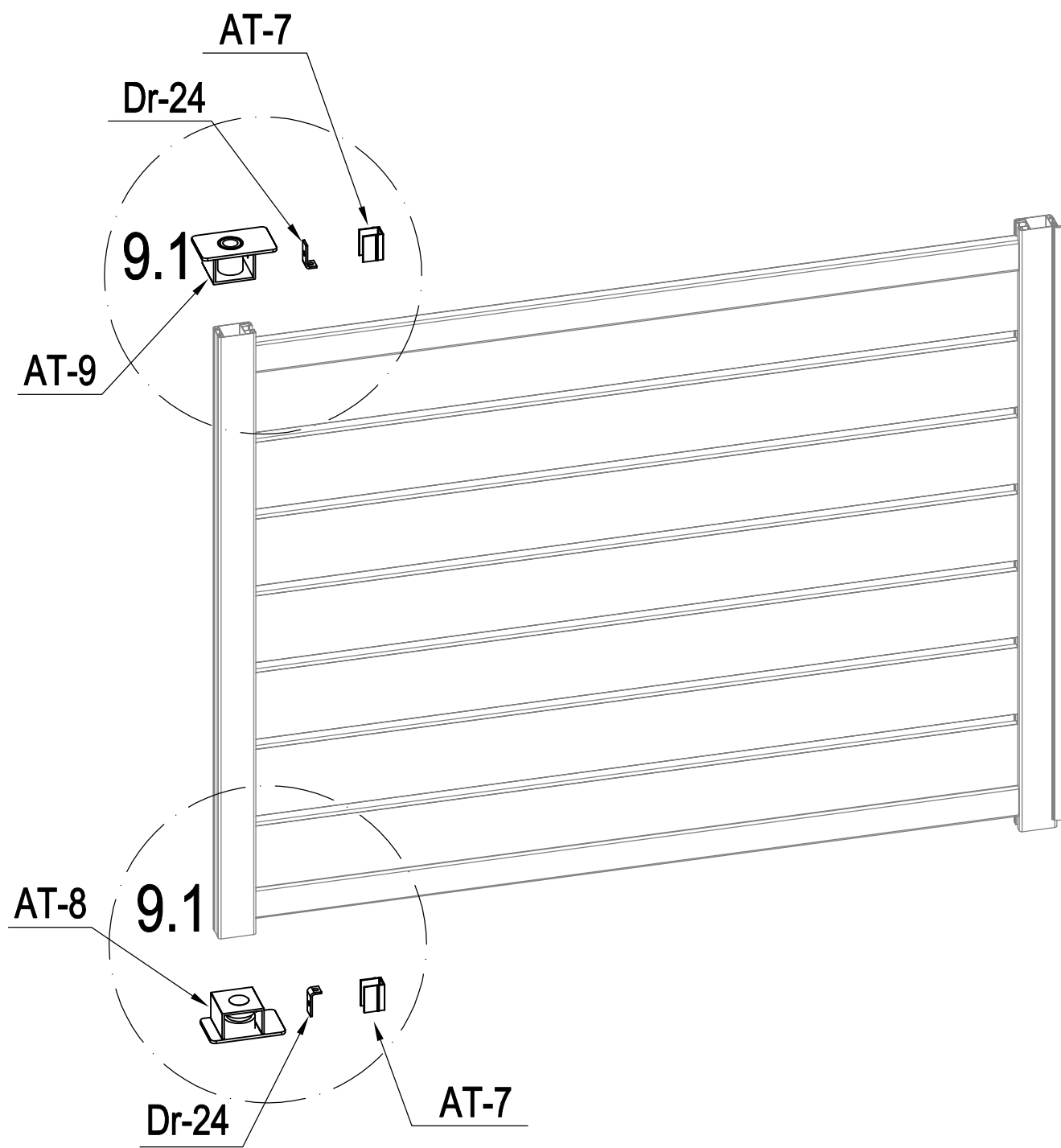
	VT-E36	28
--	--------	----



	VT-A11	2
---	--------	---

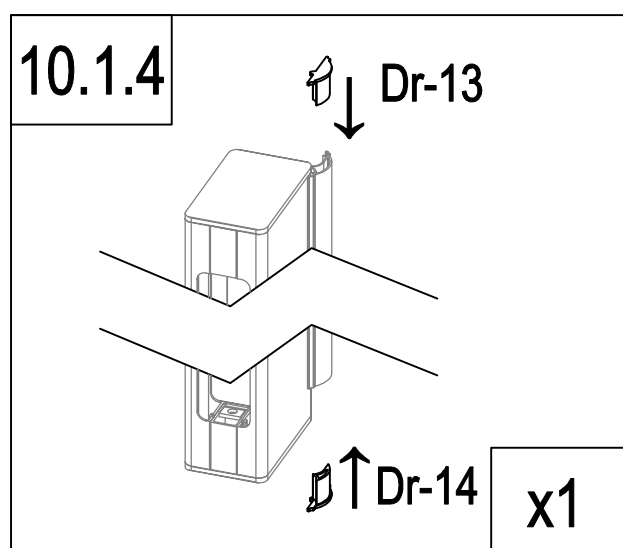
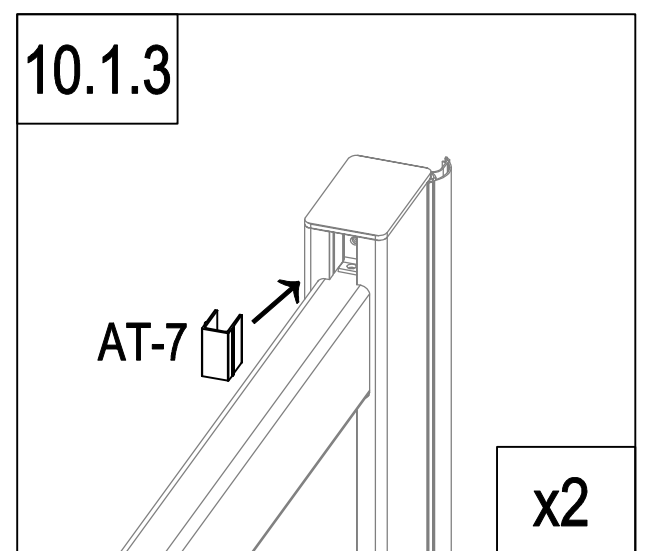
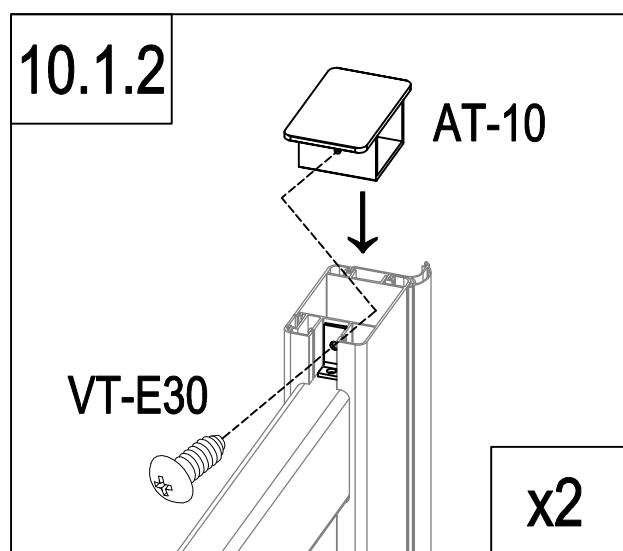
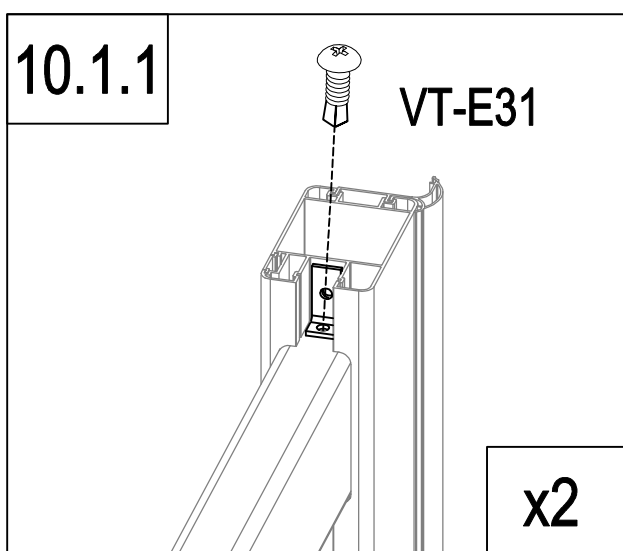
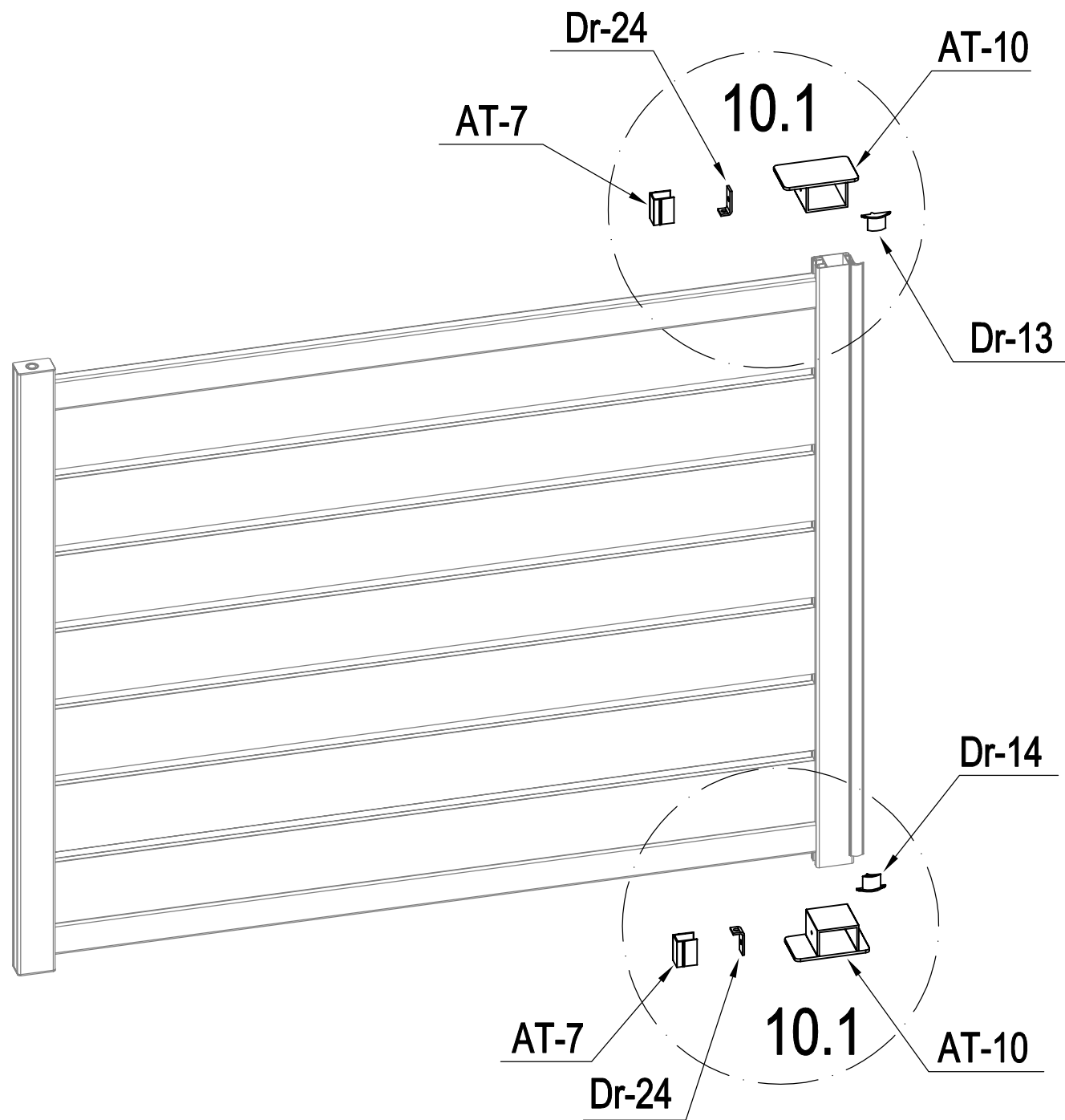


	VT-A5	1
	Dr-A5c	1
	VT-A7	1



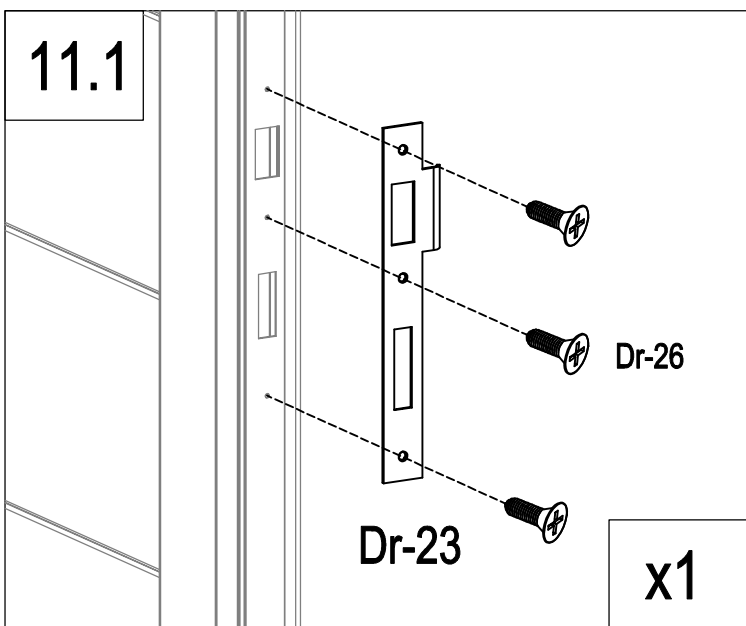
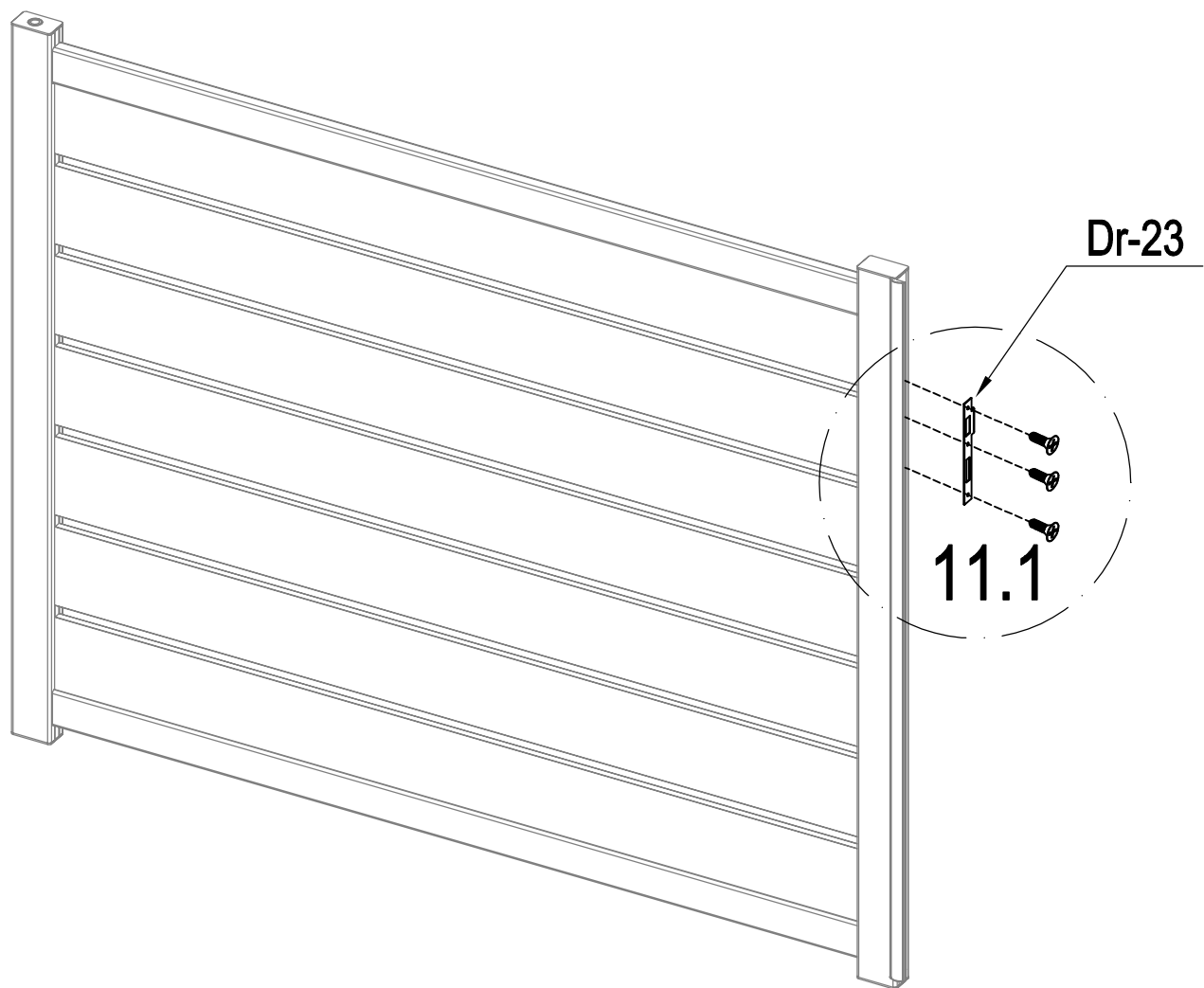
	AT-8	1
	AT-9	1
	Dr-24	2

	AT-7	2
	VT-E30	2
	VT-E31	2

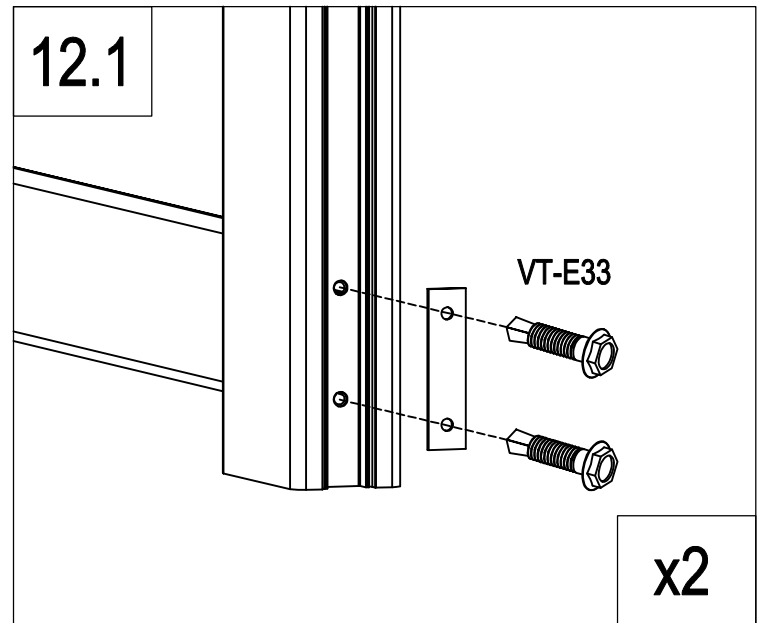
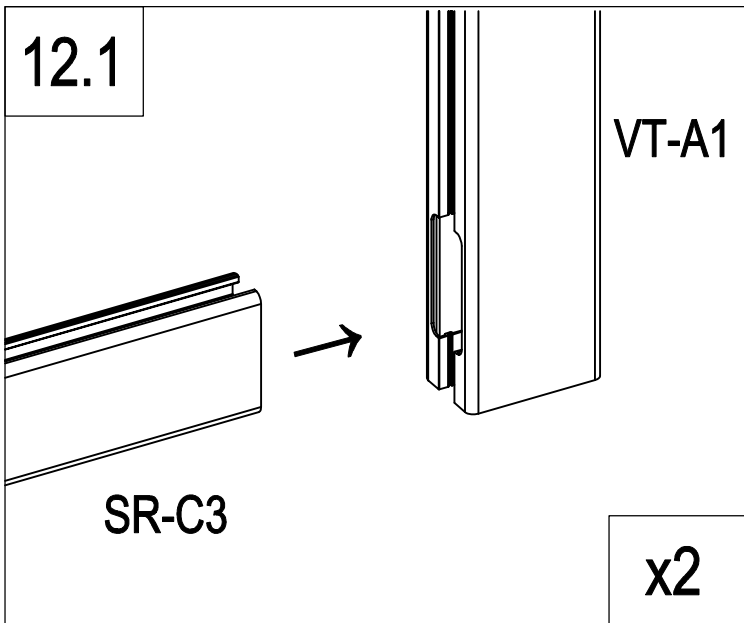
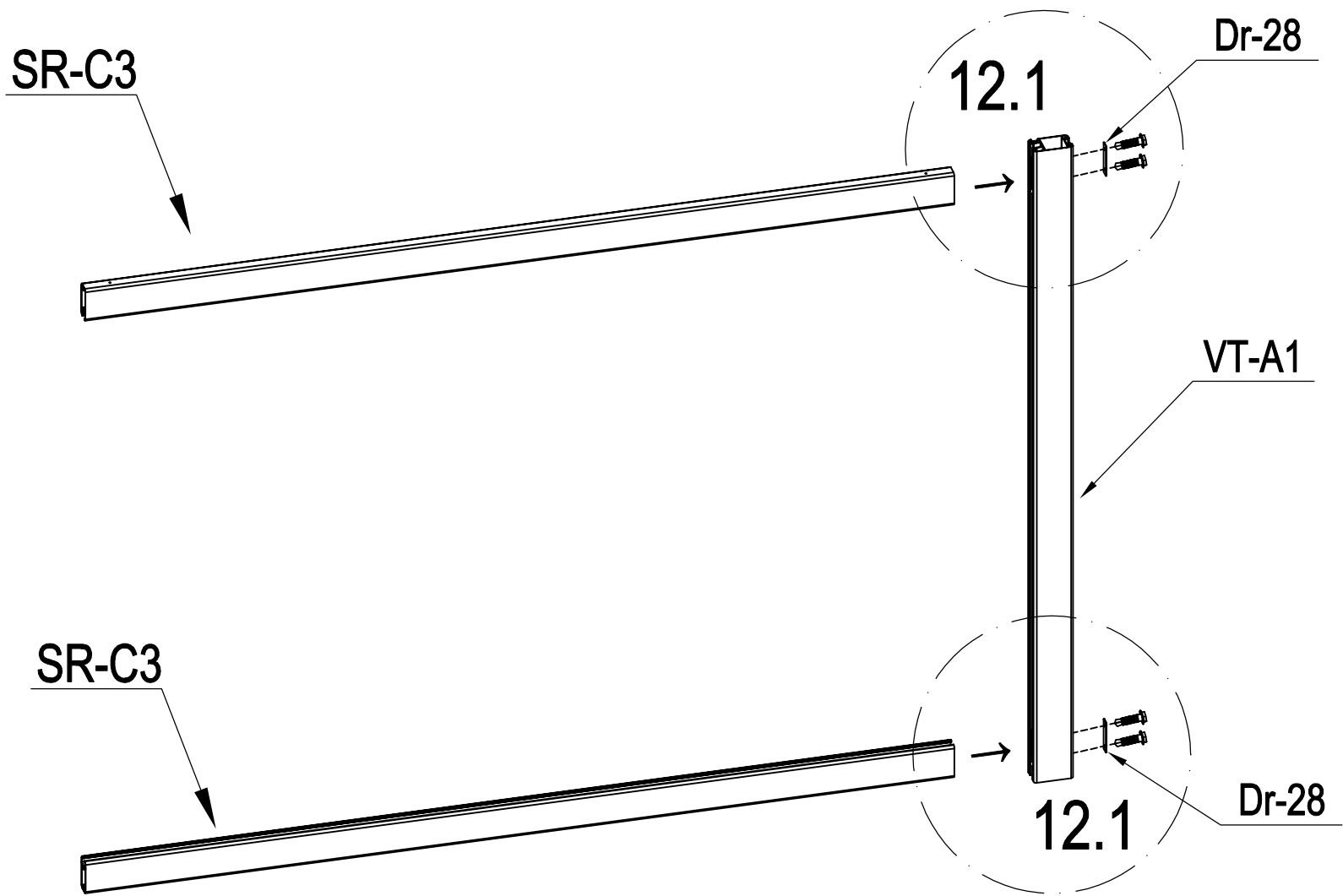


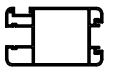
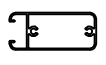


	AT-10	2
	Dr-24	2
	AT-7	2
	Dr-13	1

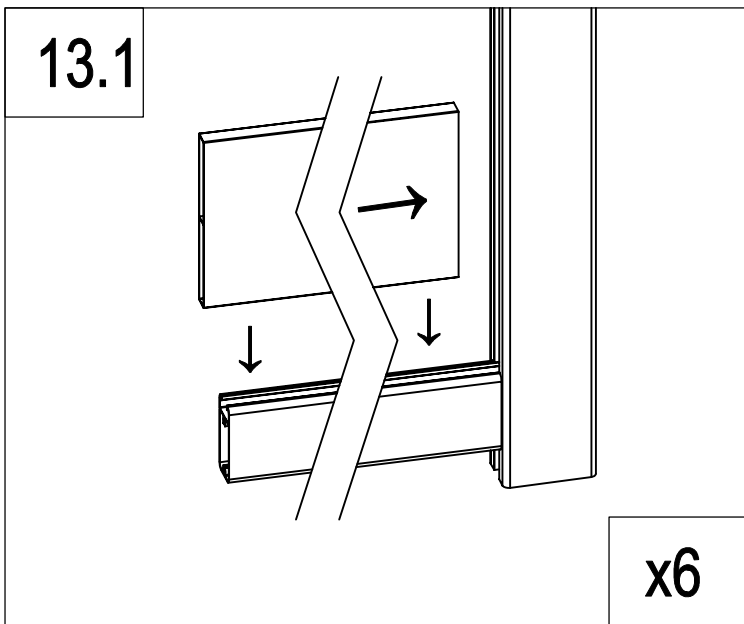
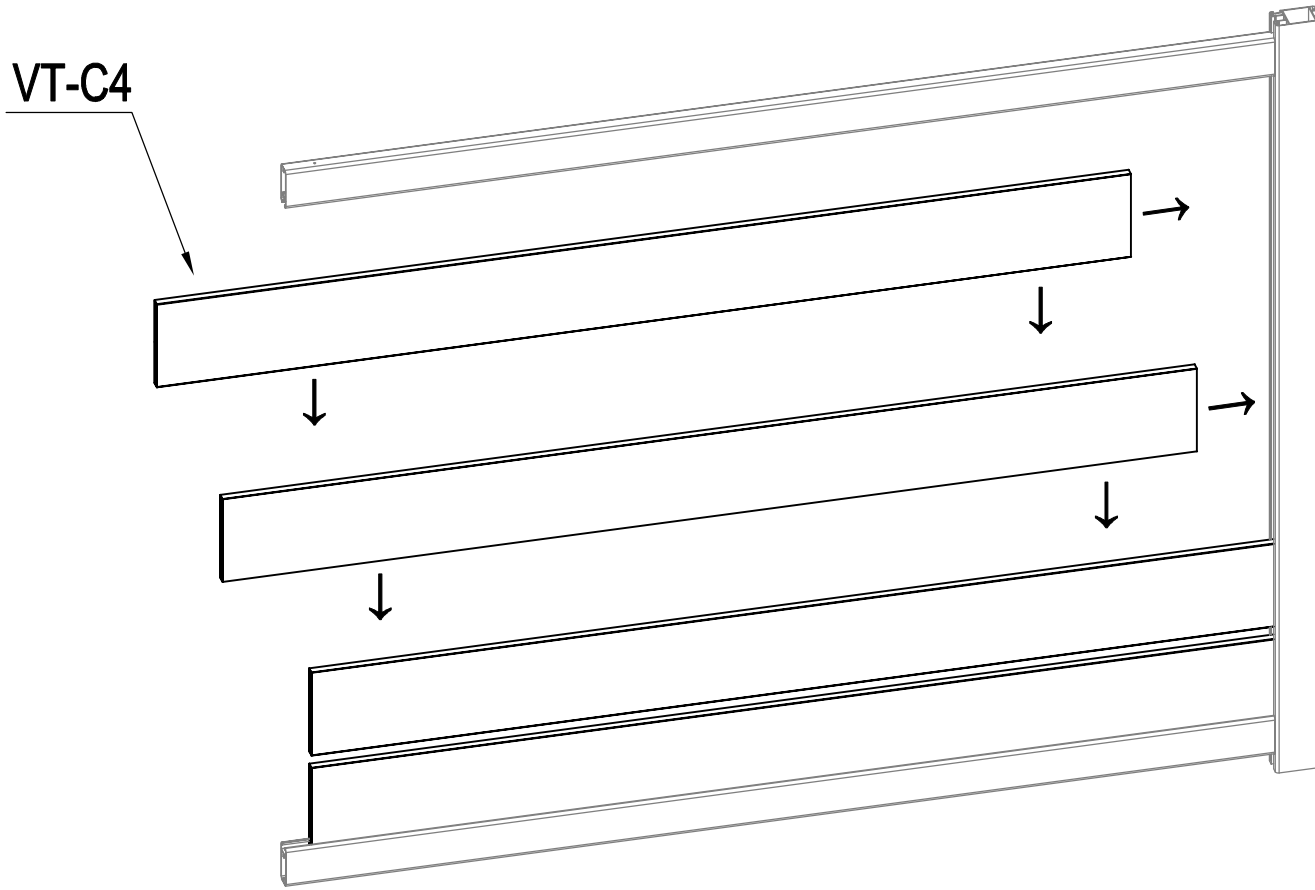
	Dr-14	1
	VT-E30	2
	VT-E31	2



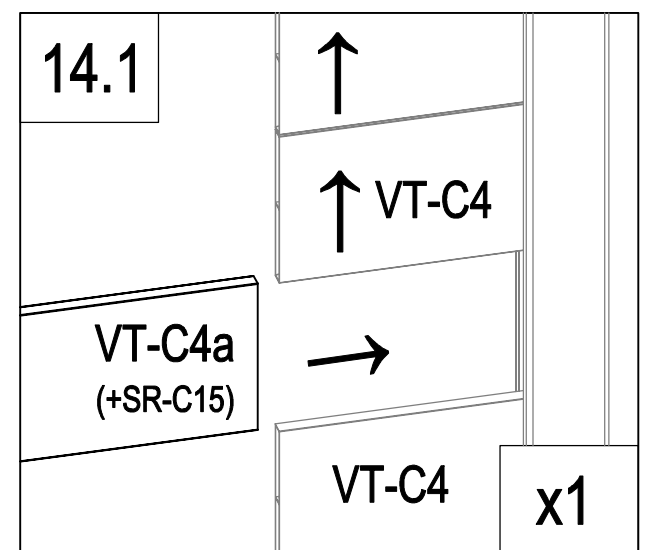
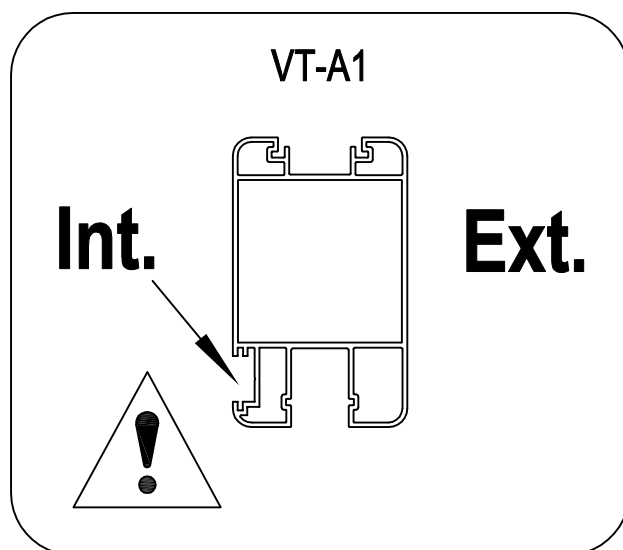
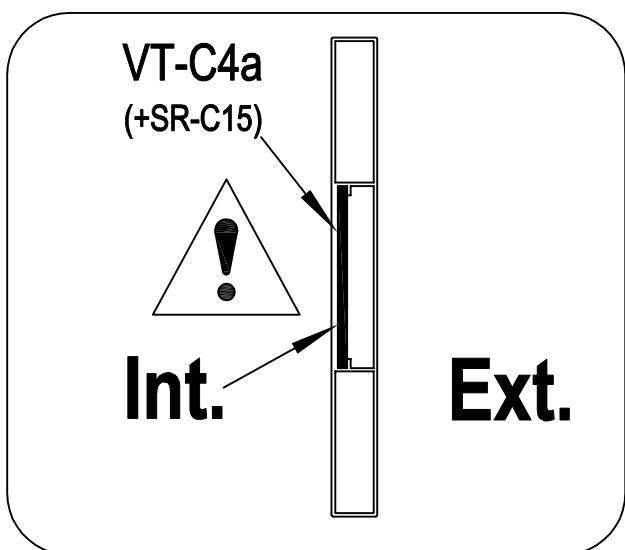
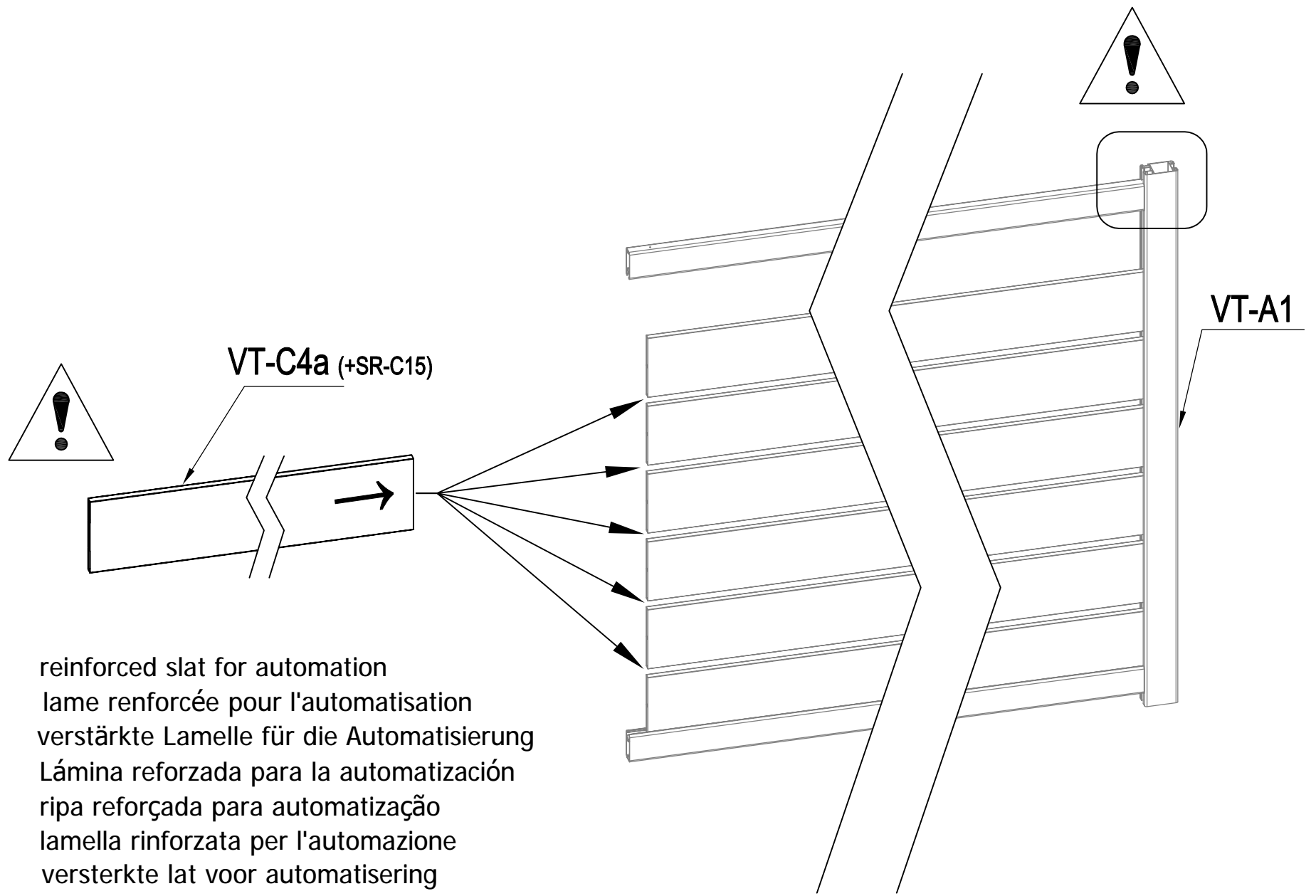
	Dr-23	1
	Dr-26	3



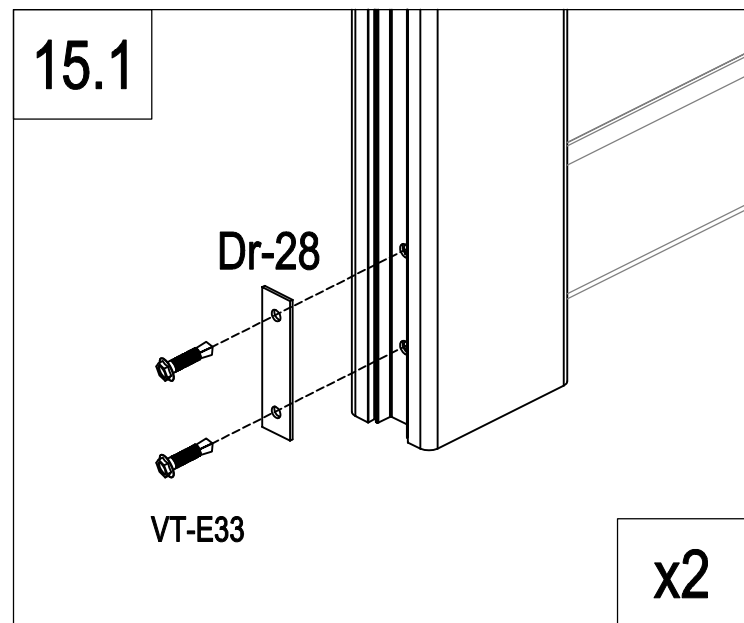
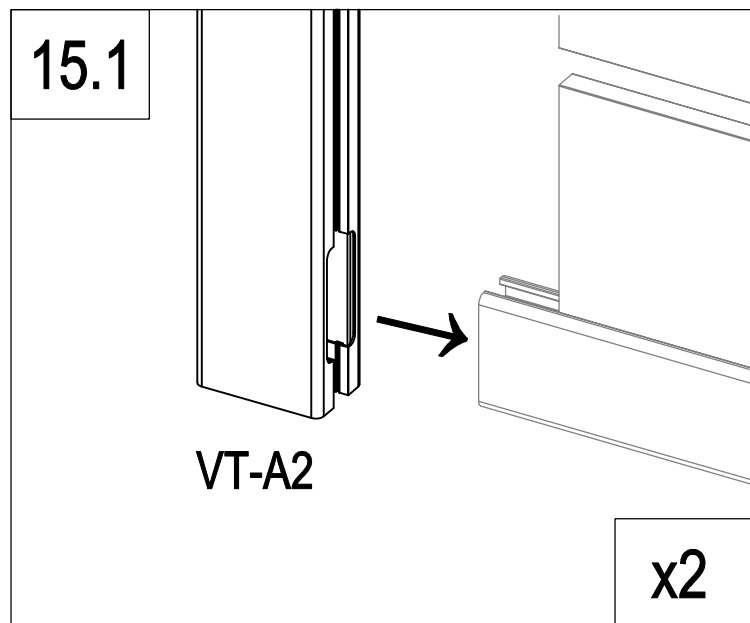
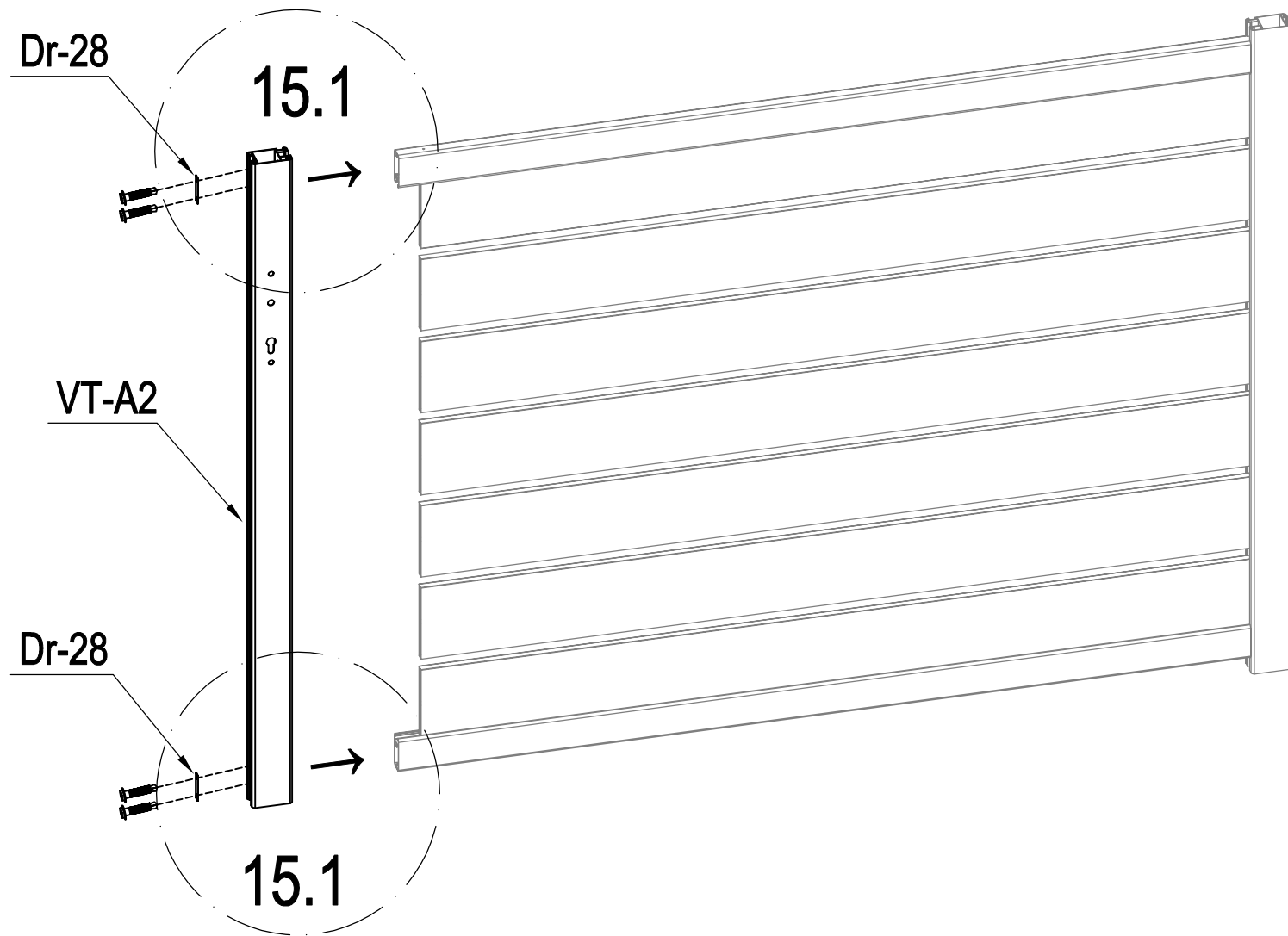
	VT-A1	1
	SR-C3	2
	Dr-28	2
	VT-E33	4

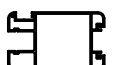




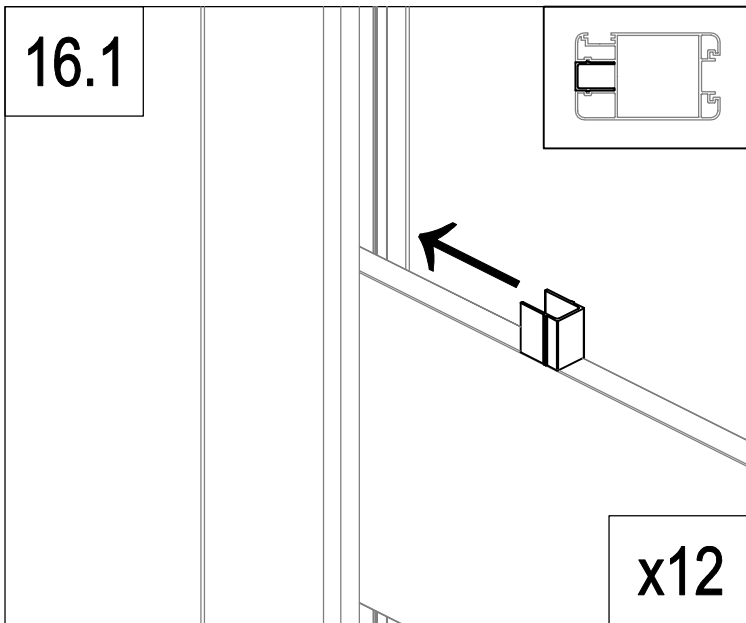
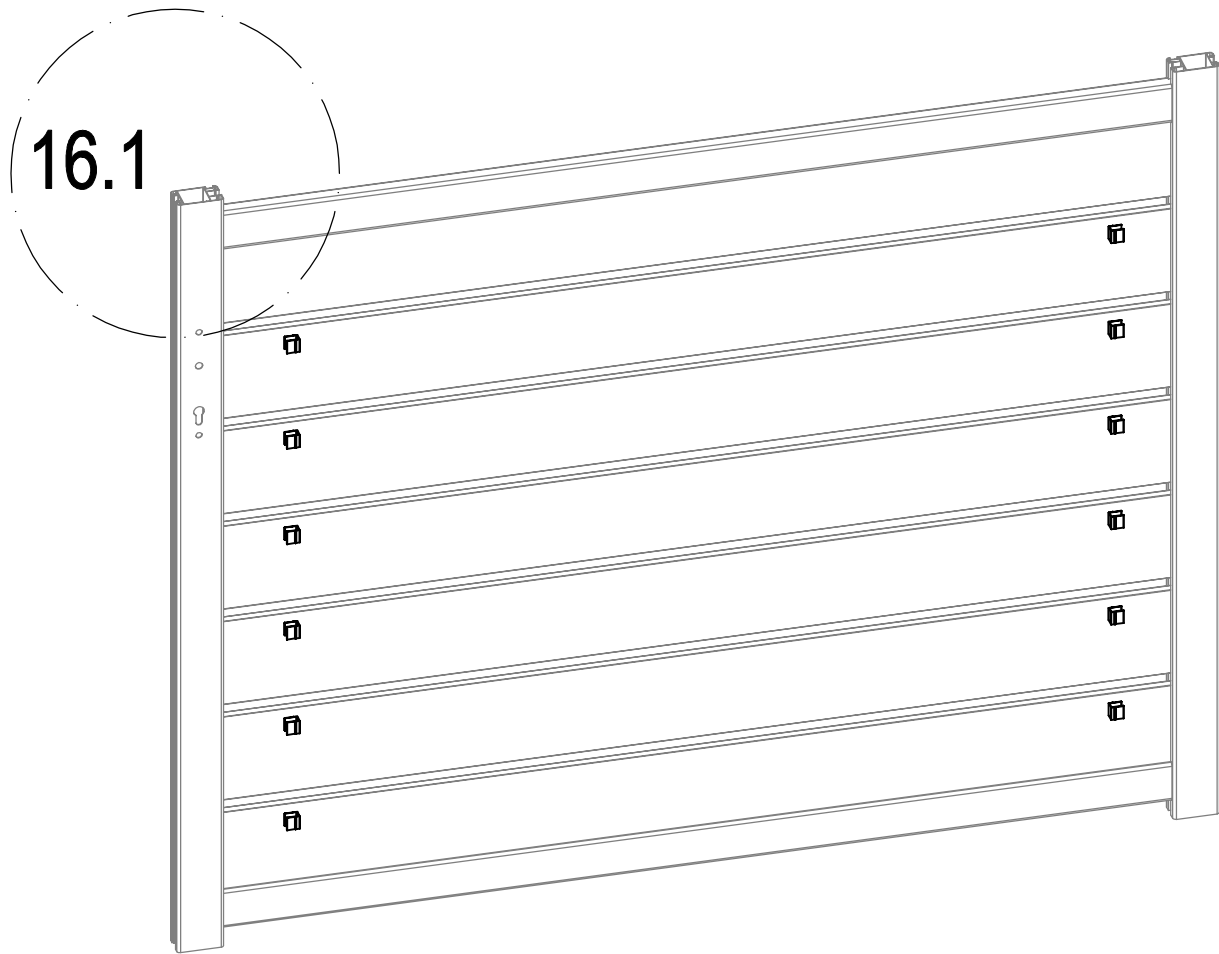
	VT-C4	6
---	-------	---



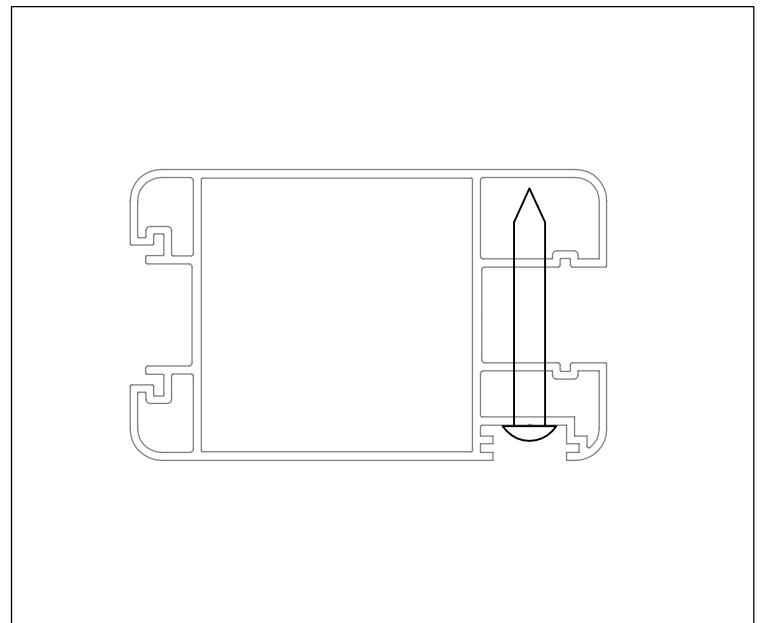
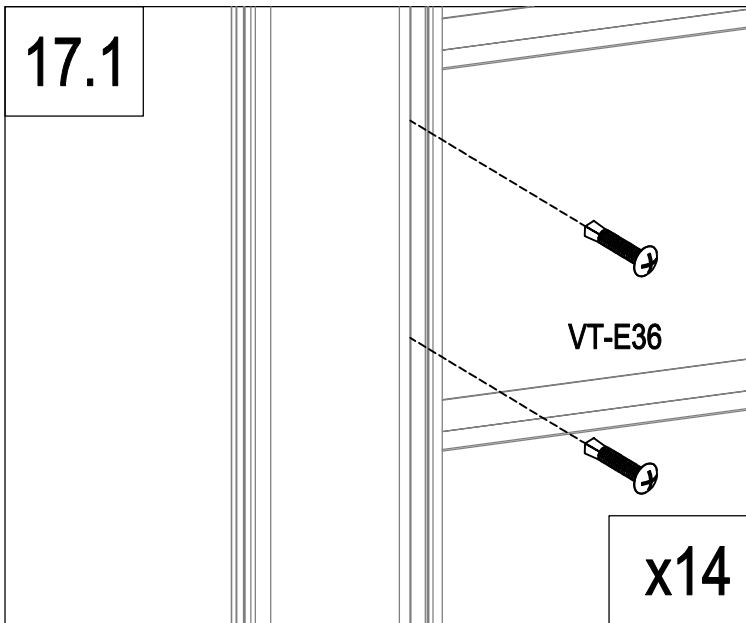
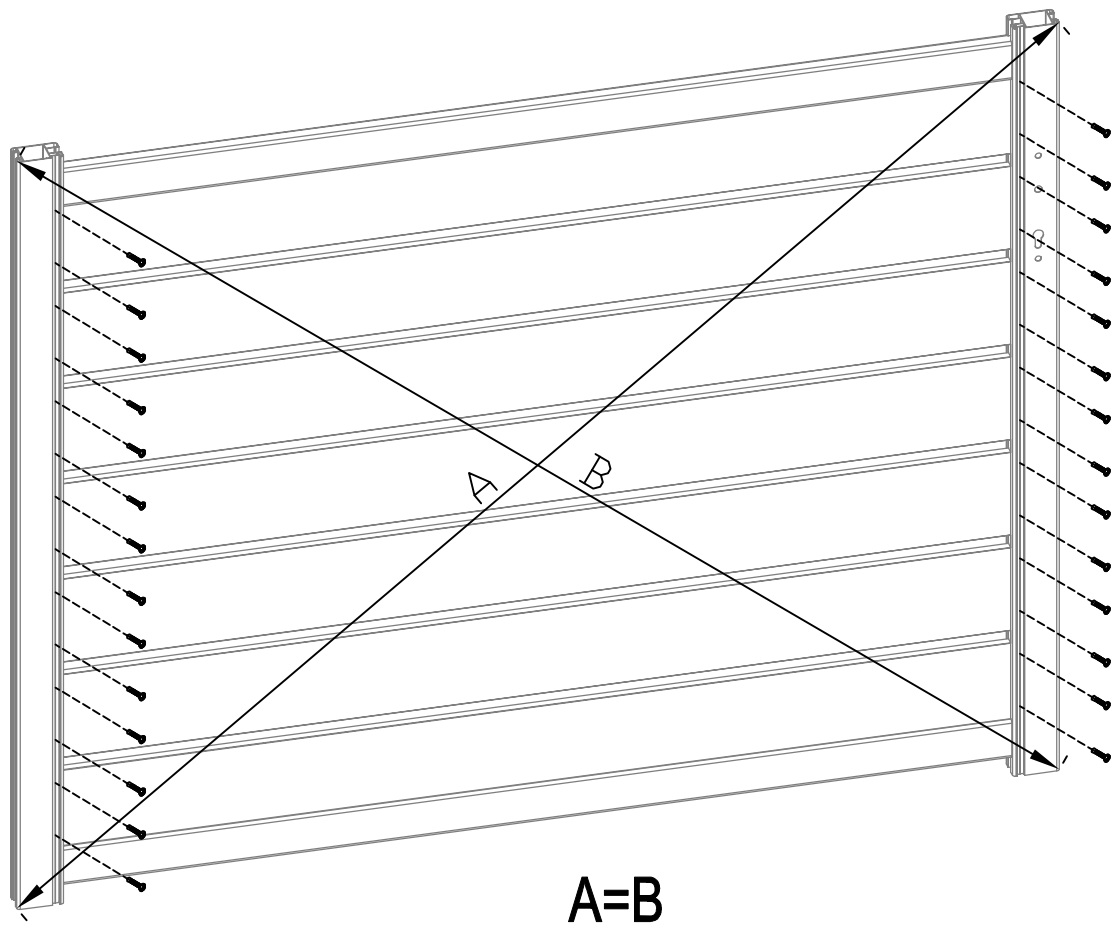
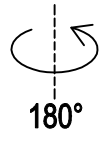
	VT-C4a (+SR-C15)	1
--	------------------	---




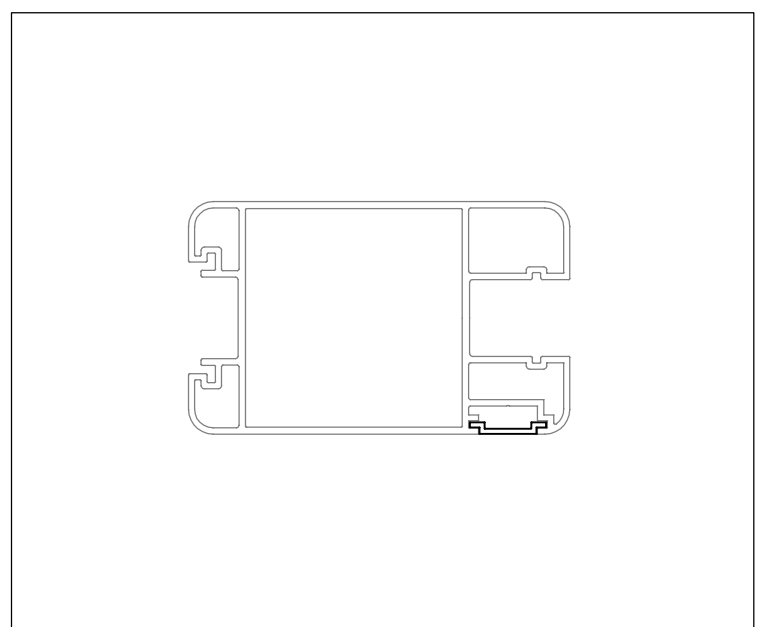
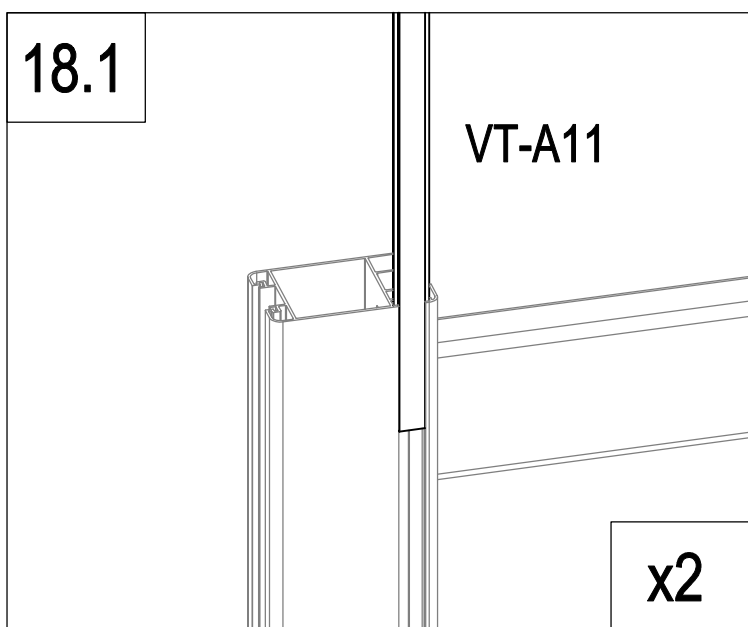
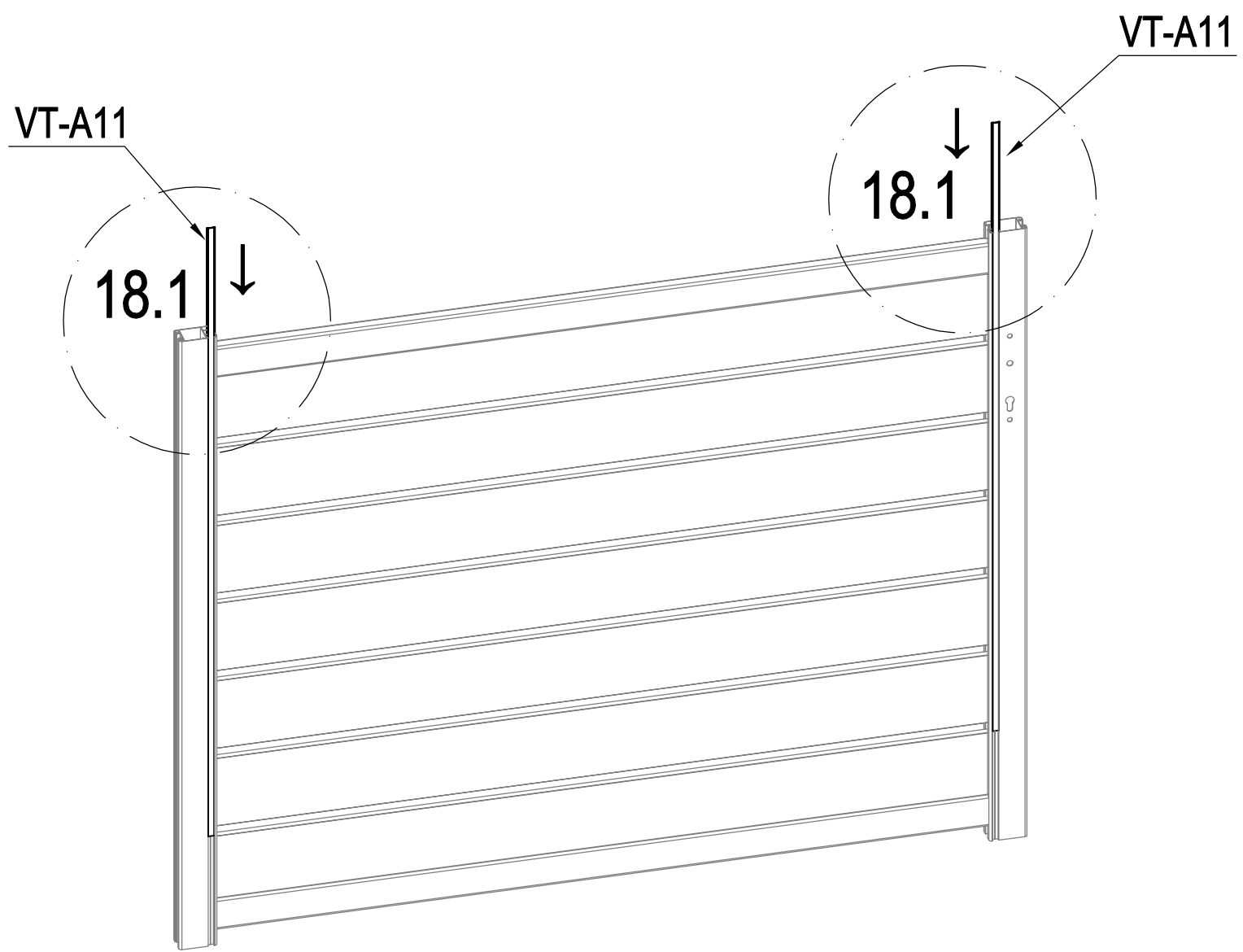
	VT-A2	1
	Dr-28	2
	VT-E33	4

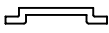


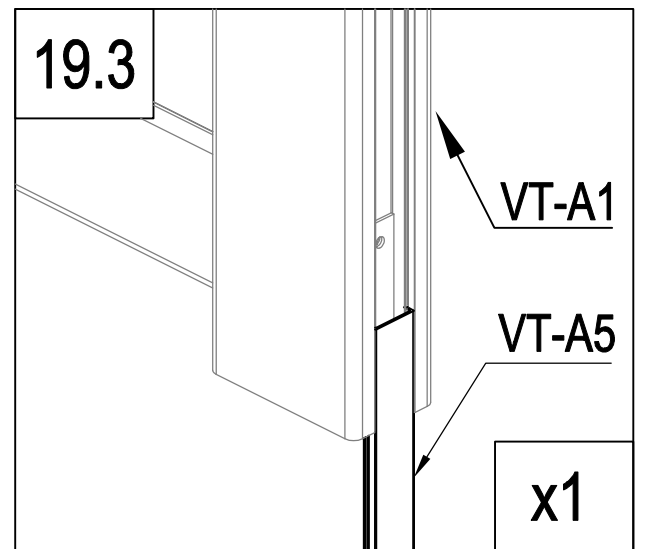
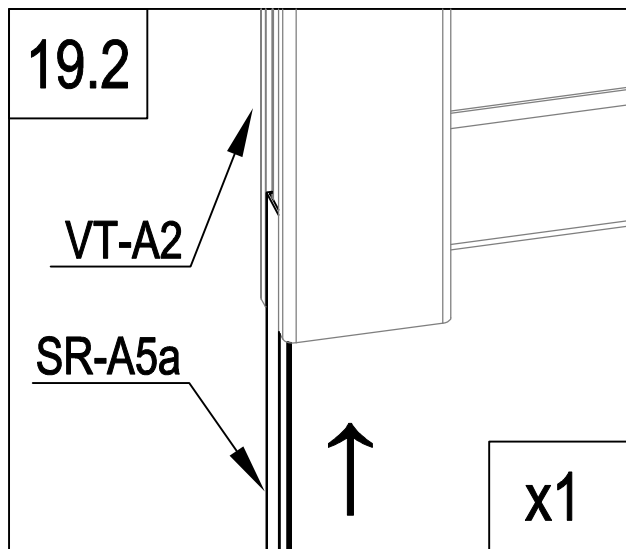
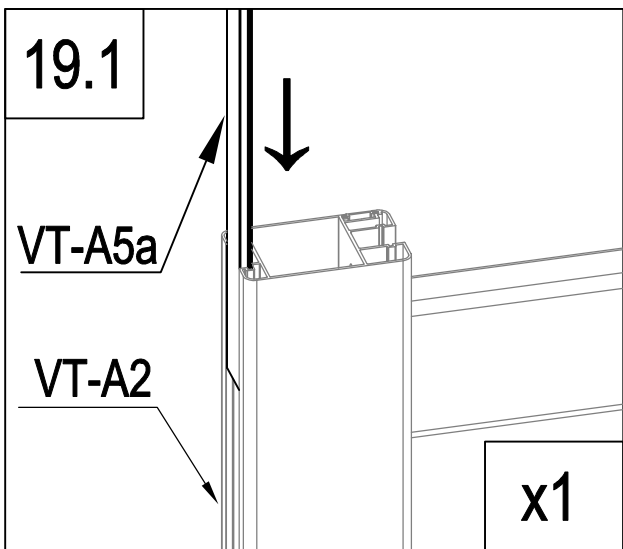
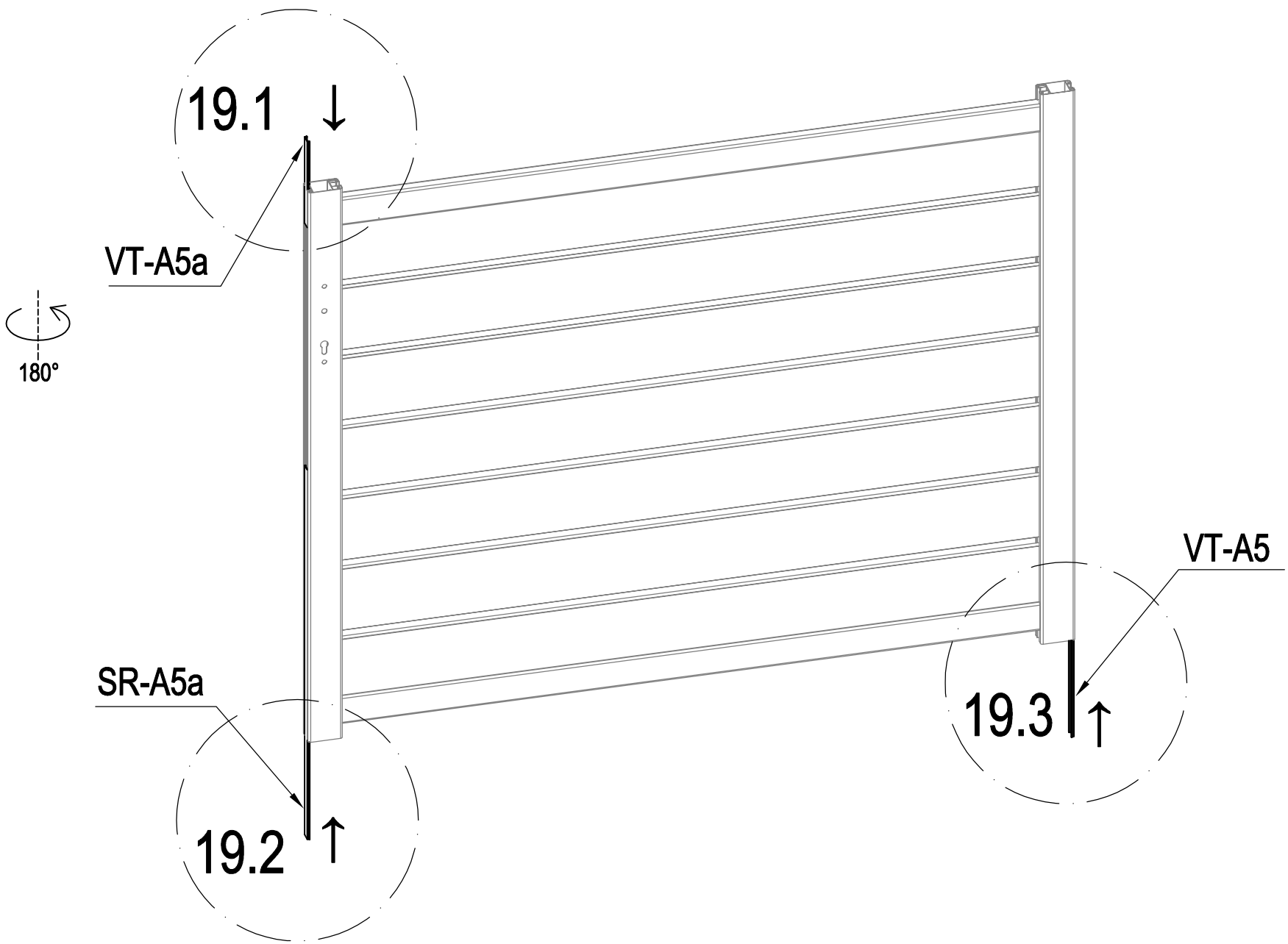
	VT-A6	12
---	-------	----

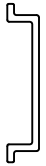


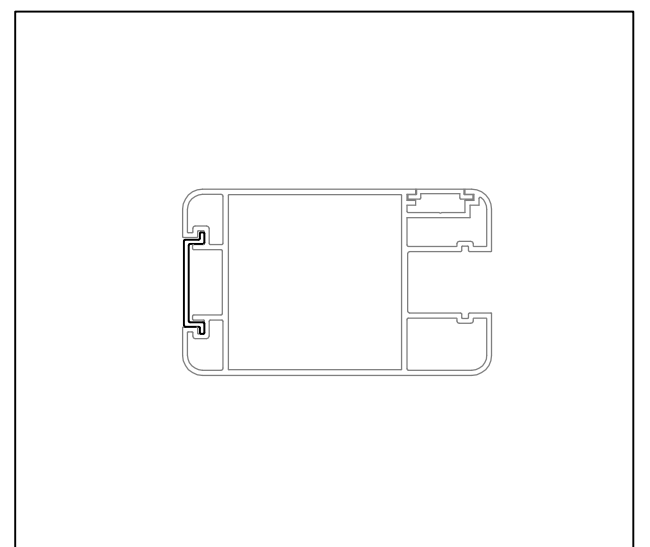
	VT-E36	28
---	--------	----

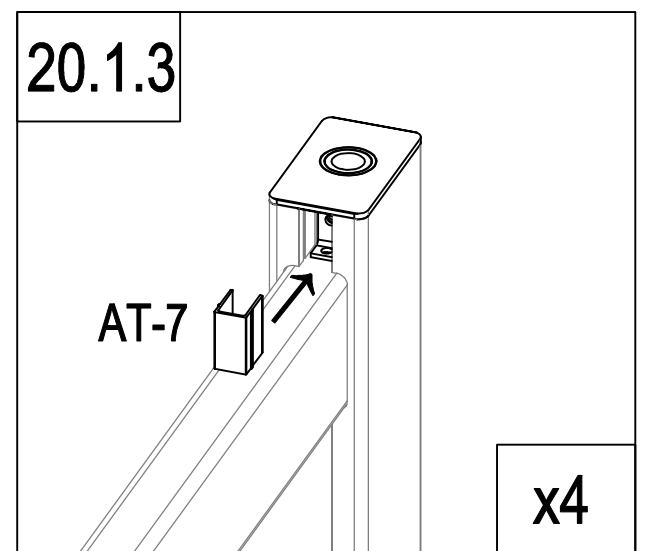
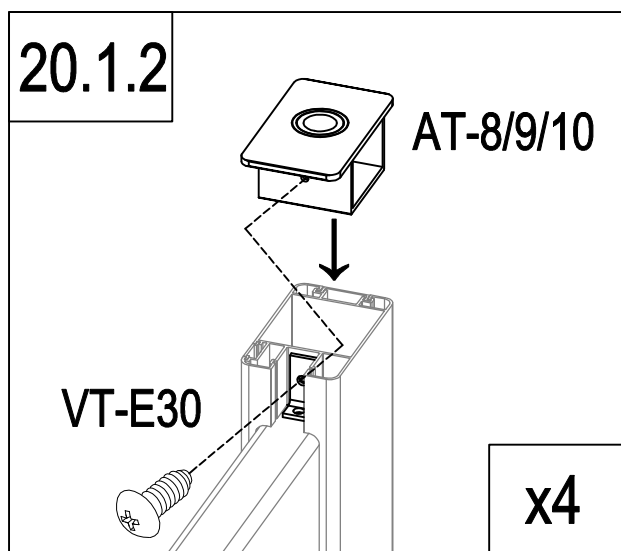
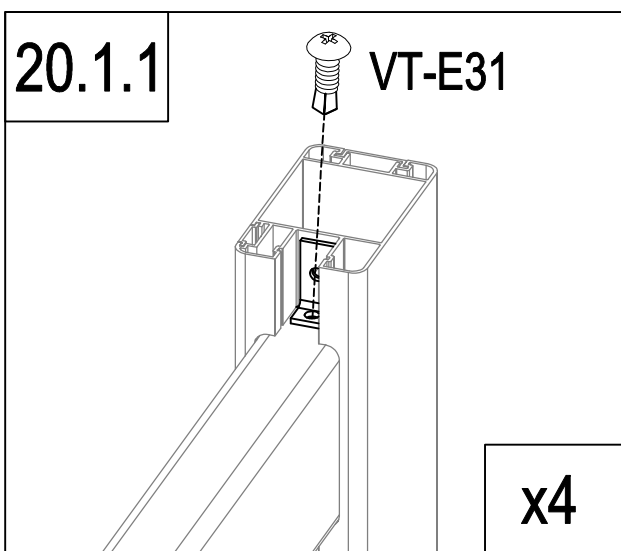
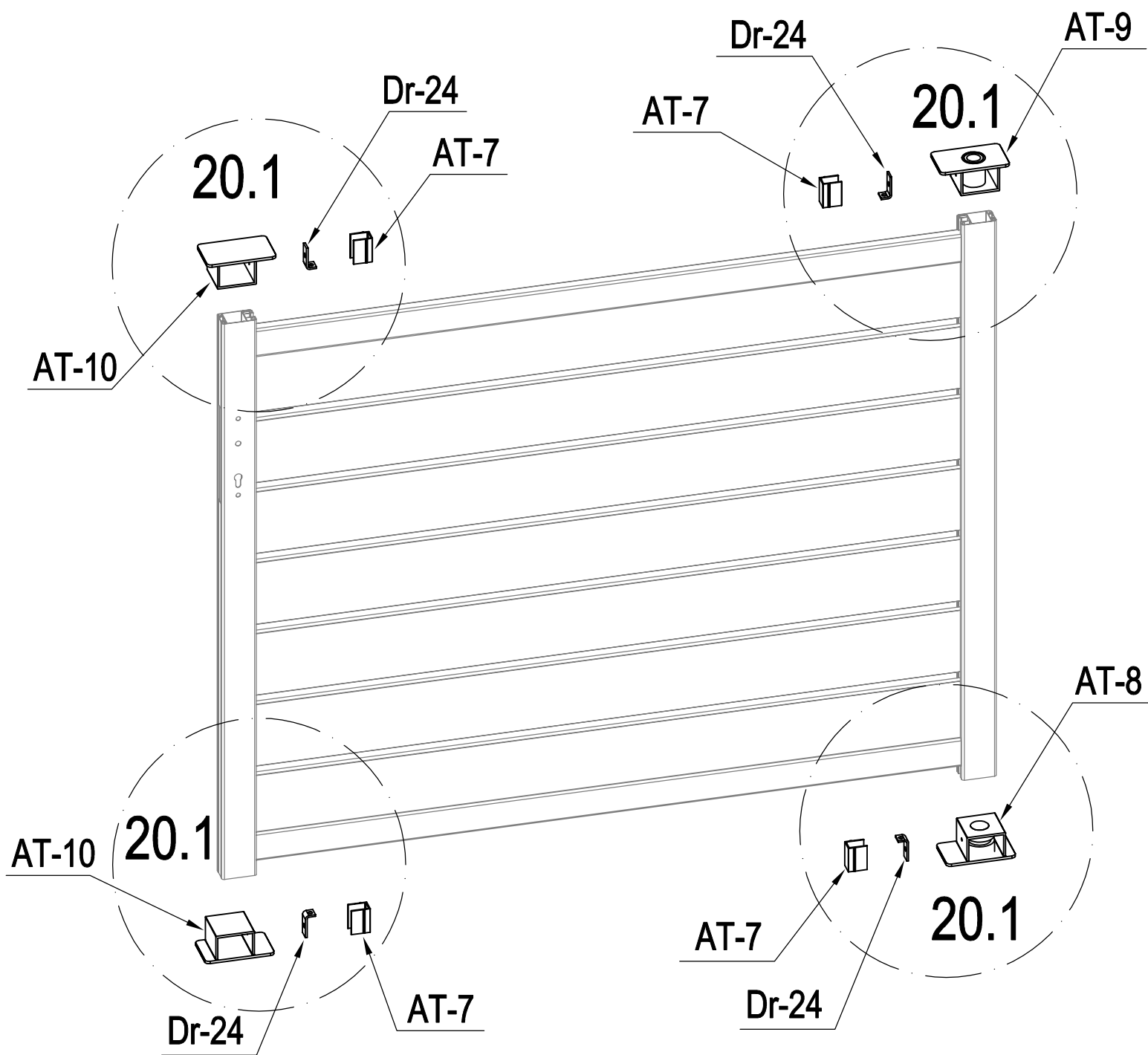


	VT-A11	2
---	--------	---



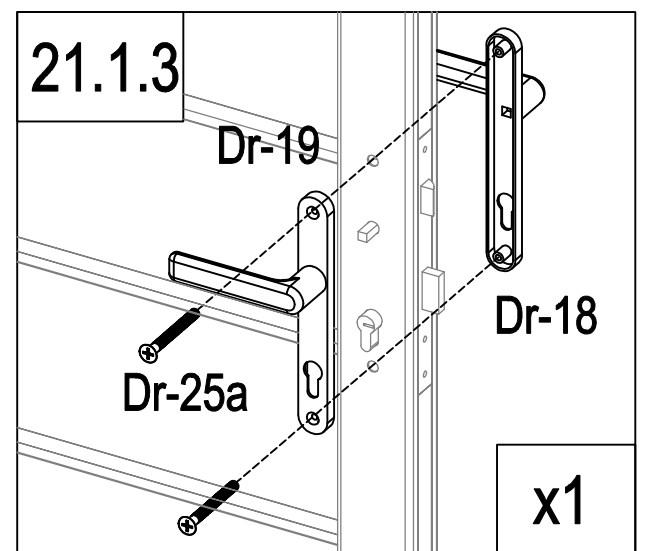
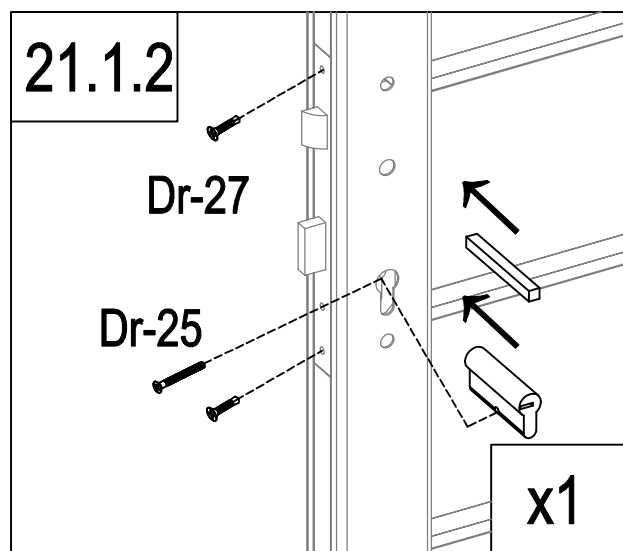
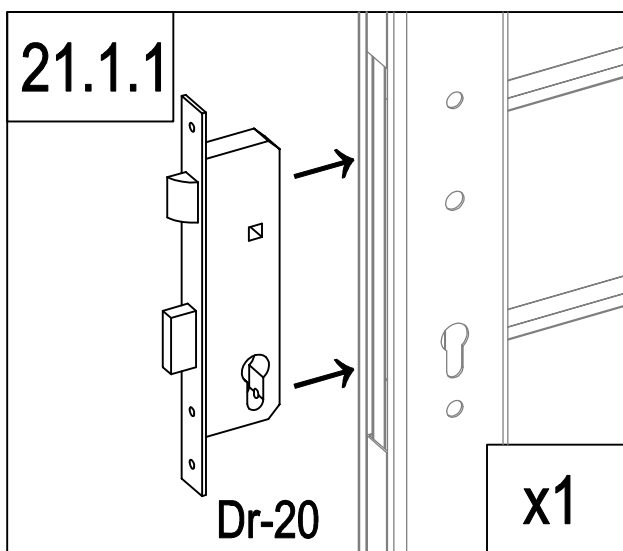
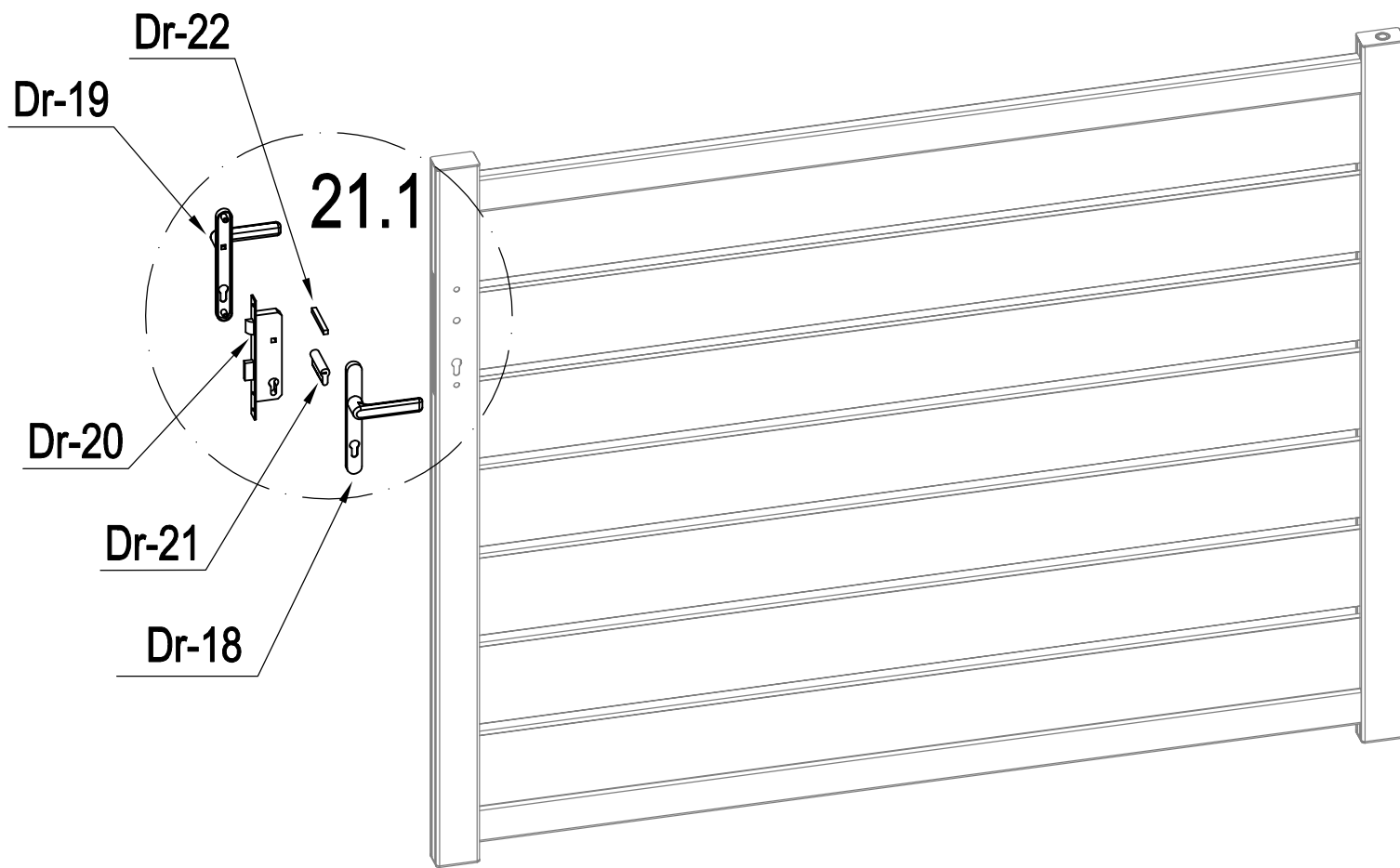
	VT-A5	1
	VT-A5a	1
	SR-A5a	1





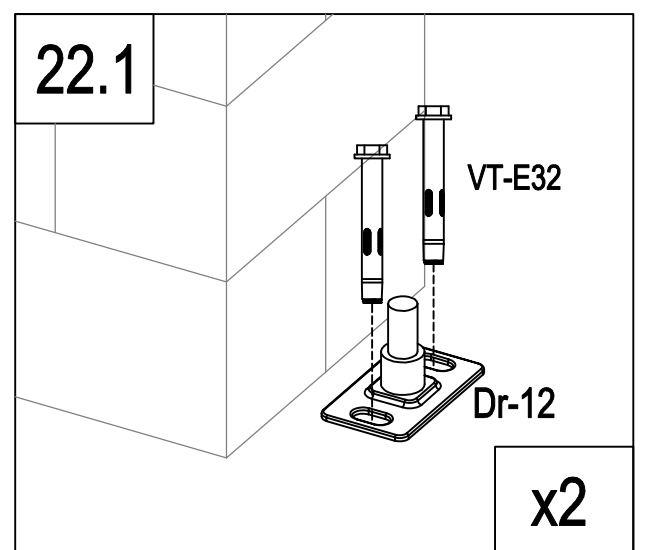
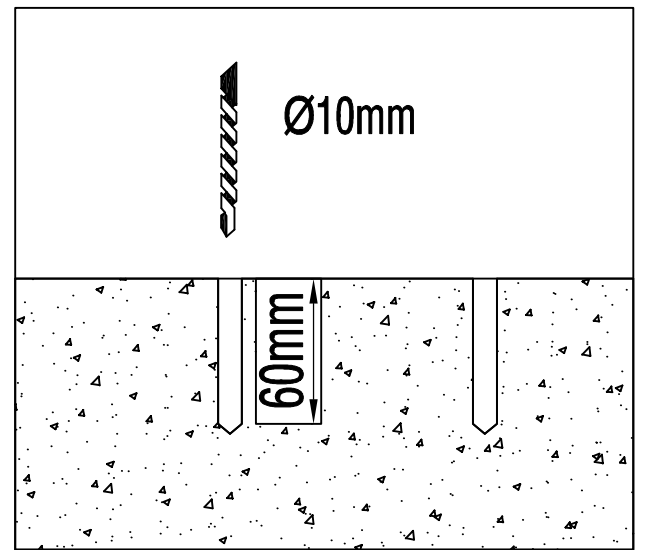
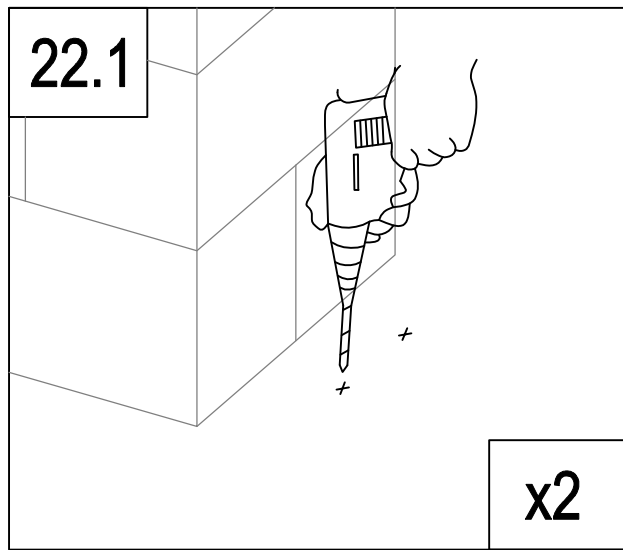
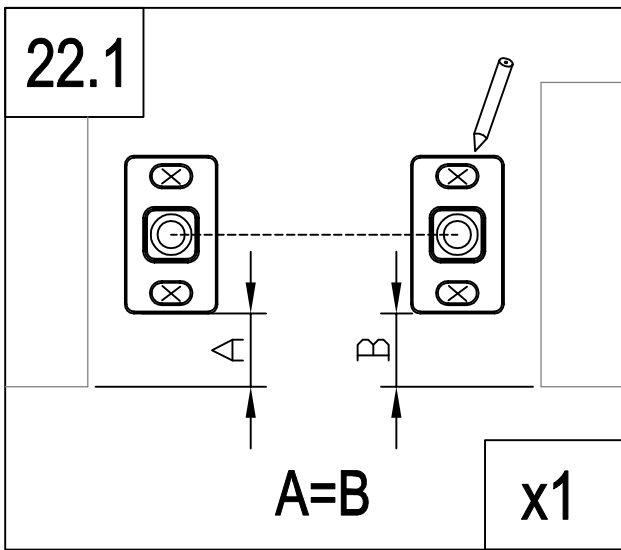
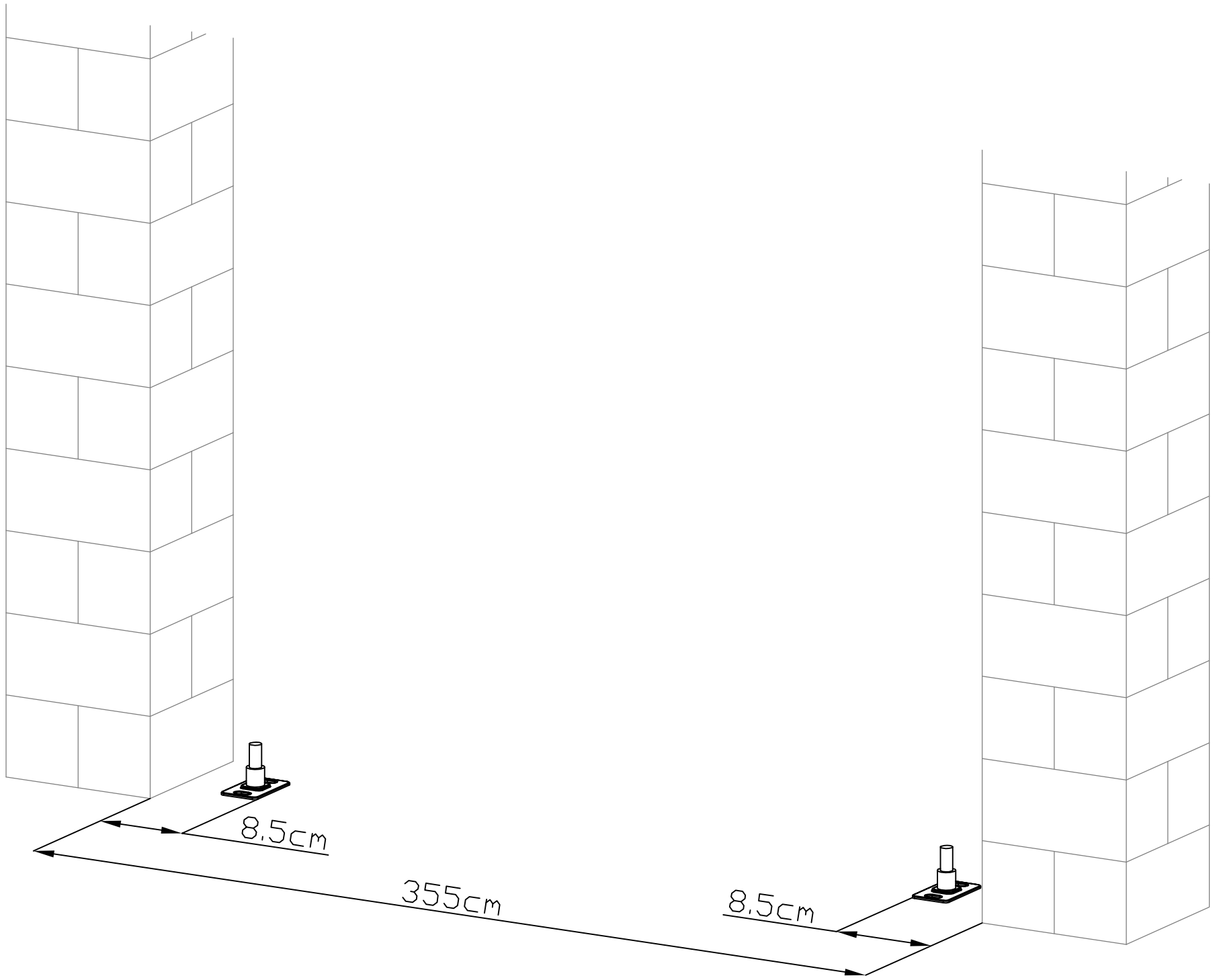
	AT-8	1
	AT-9	1
	AT-10	2
	Dr-24	4

	AT-7	4
	VT-E30	4
	VT-E31	4

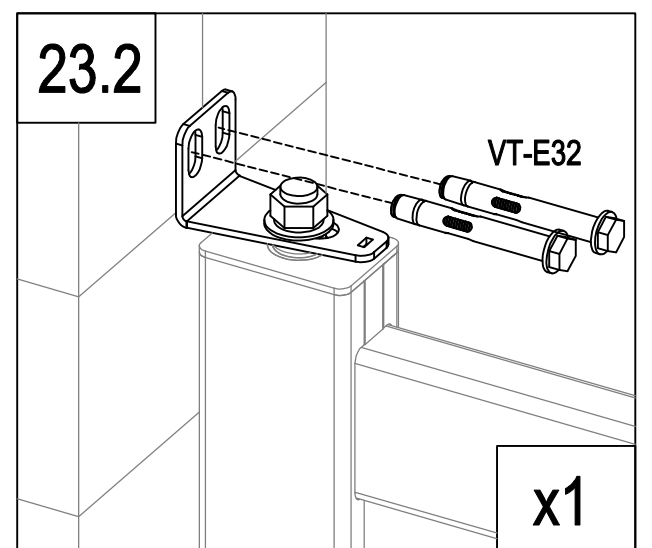
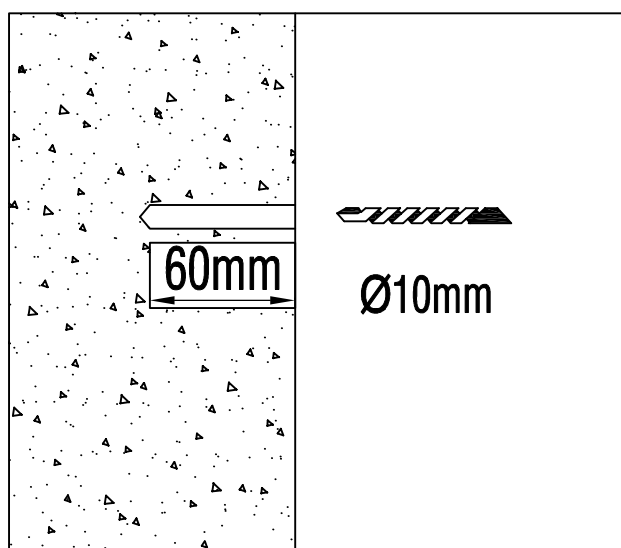
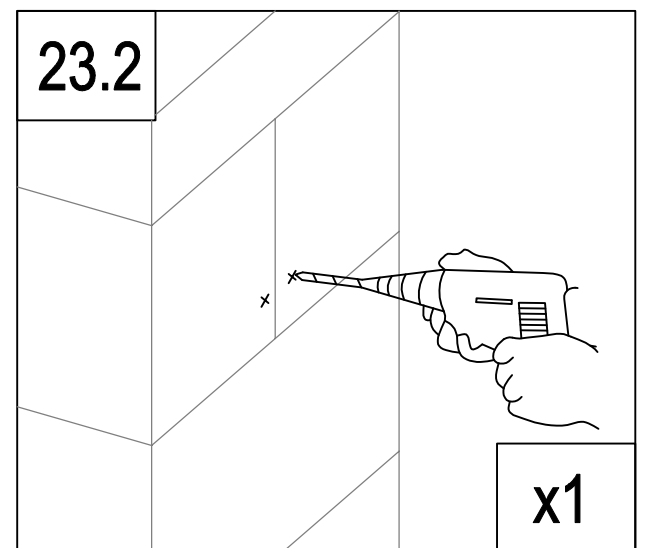
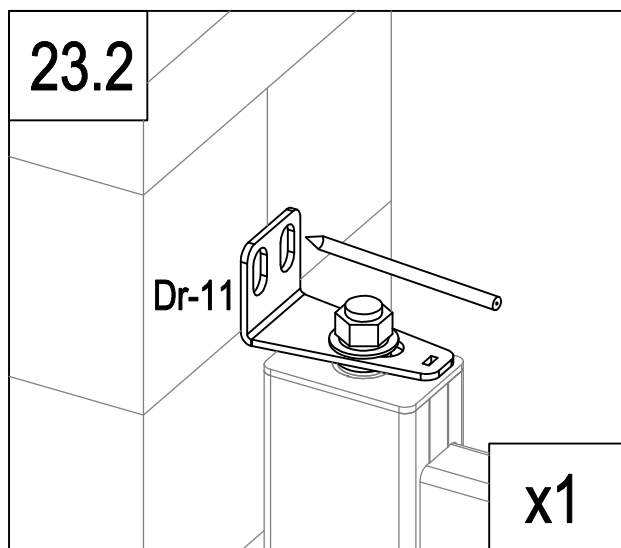
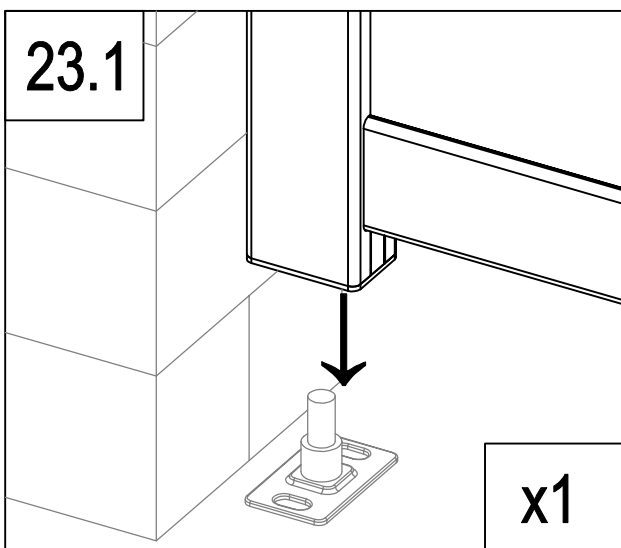
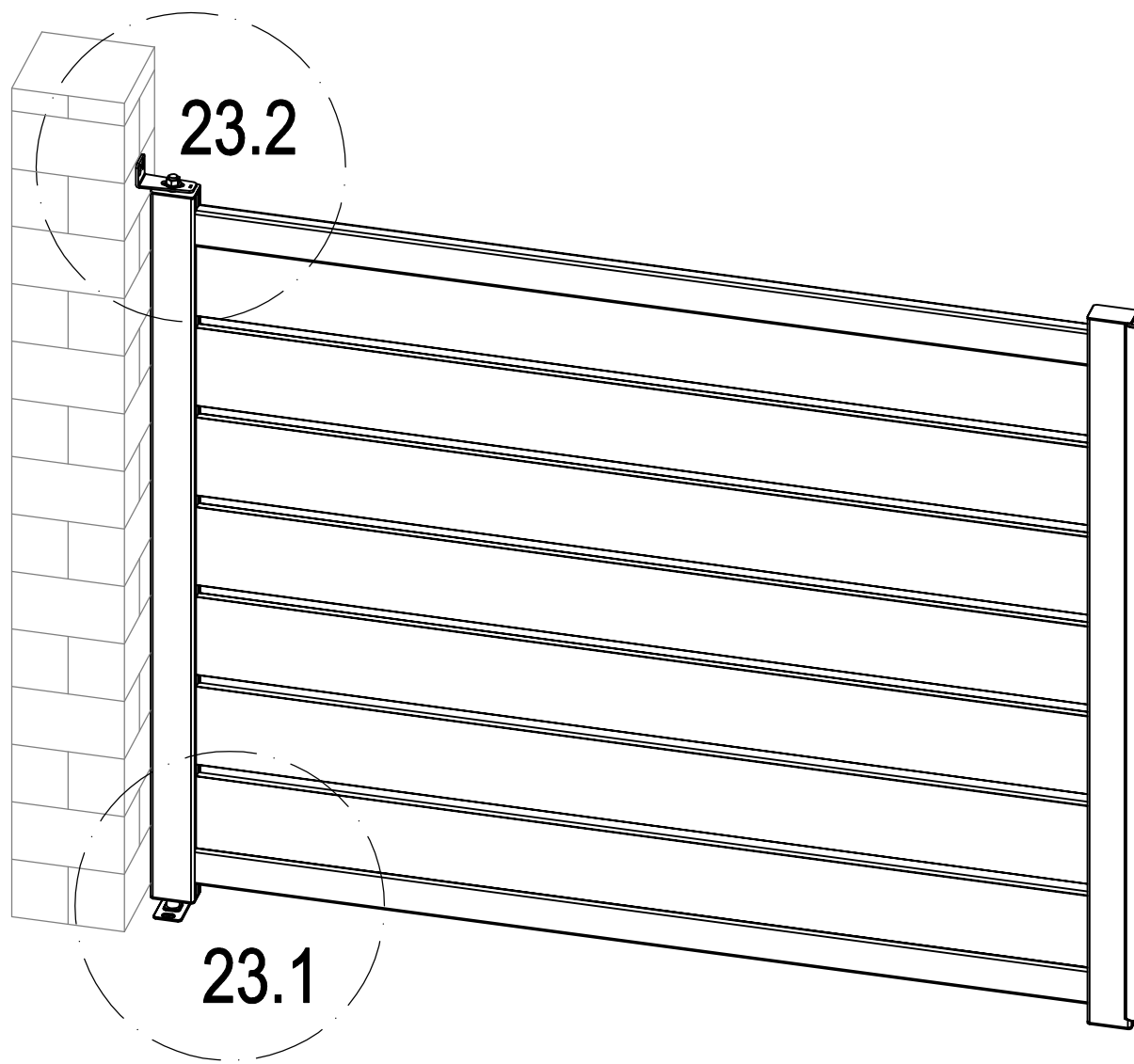


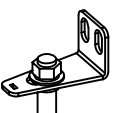

	Dr-20	1
	Dr-21	1
	Dr-22	1
	Dr-25	1

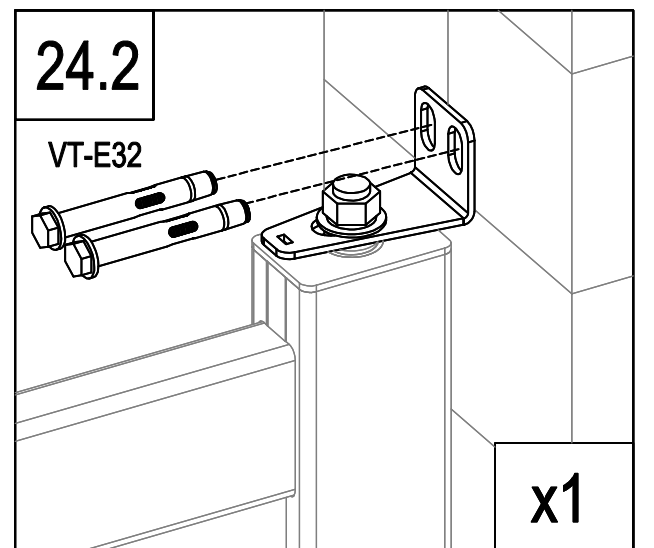
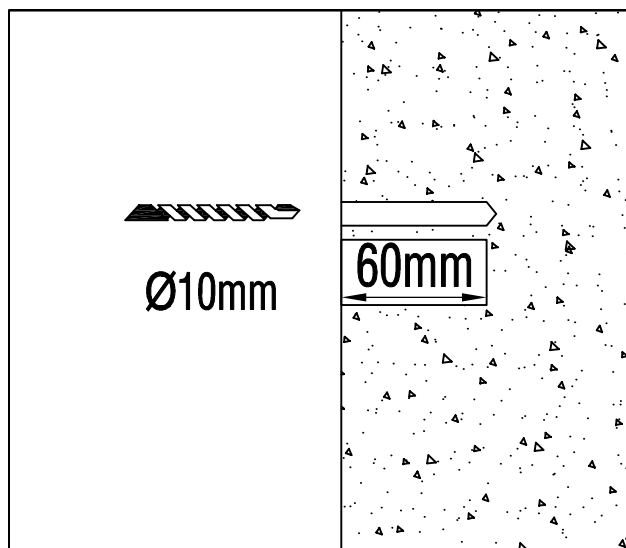
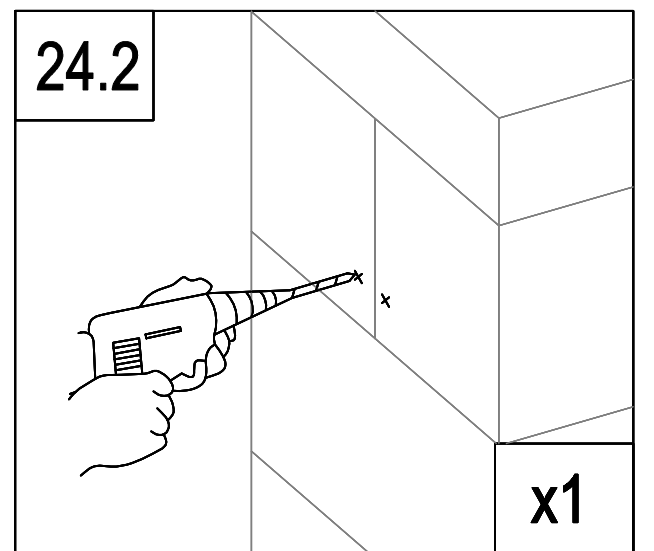
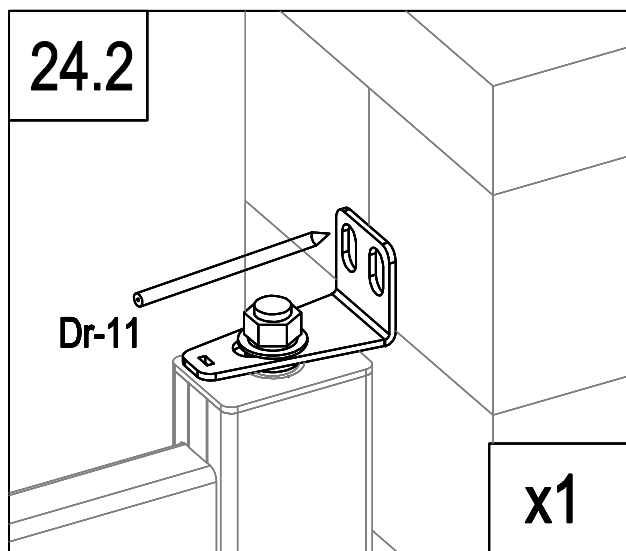
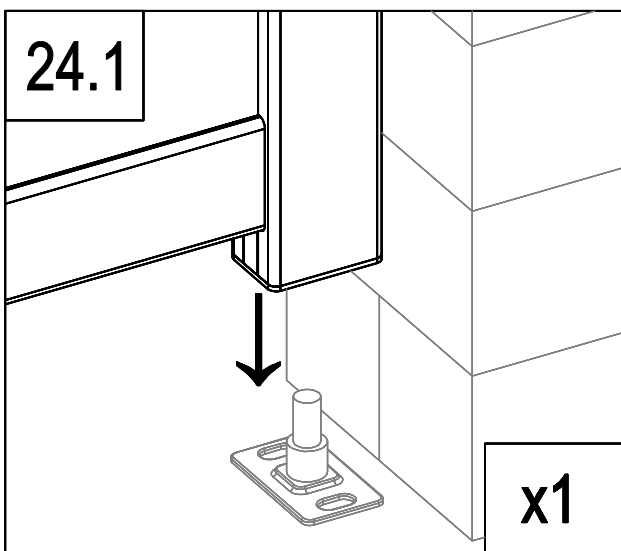
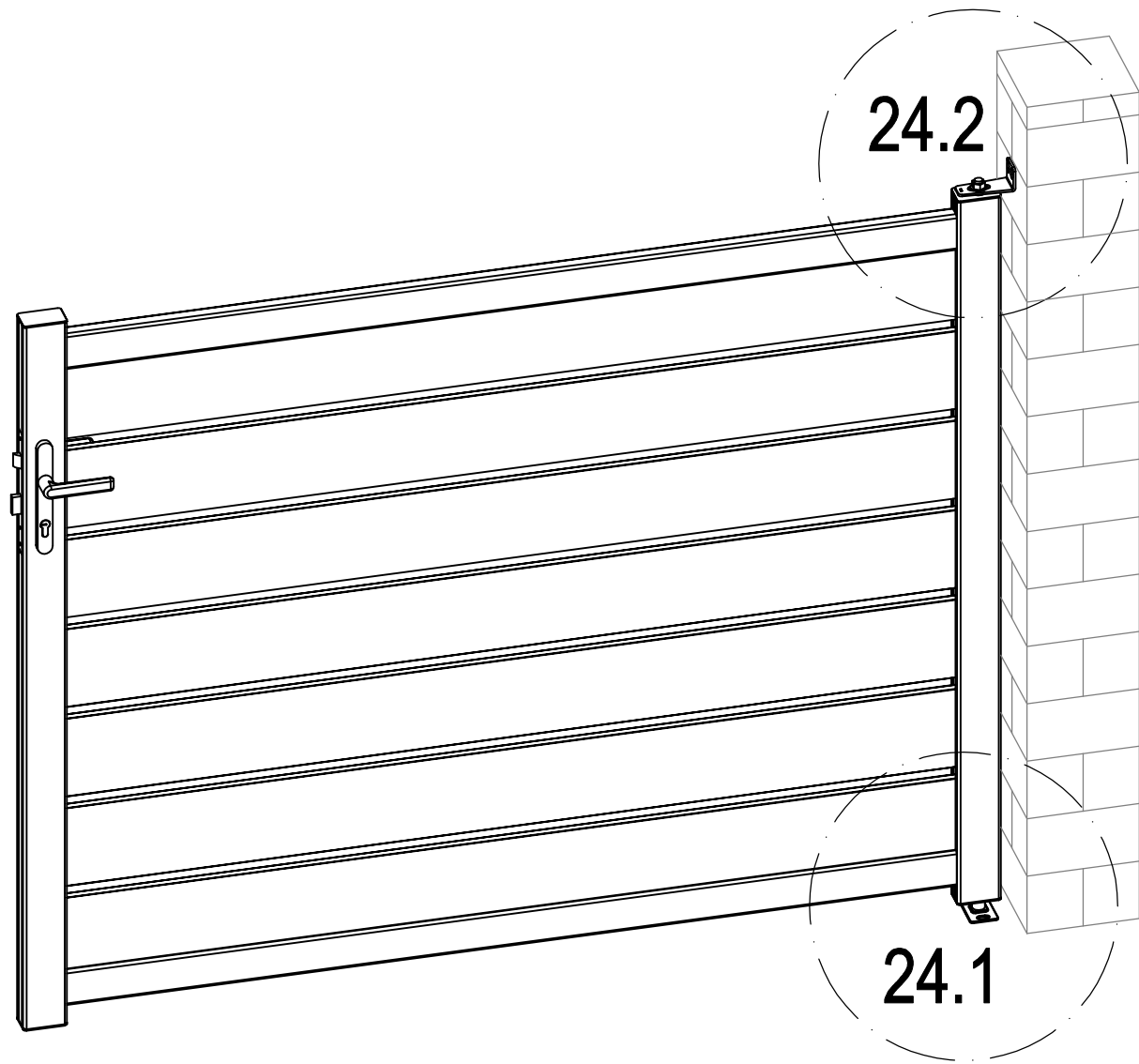
	Dr-18	1
	Dr-19	1
	Dr-25a	2
	Dr-27	2

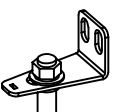



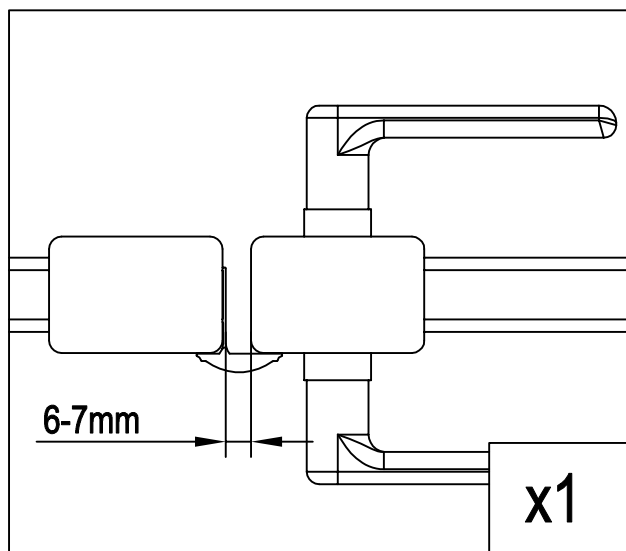
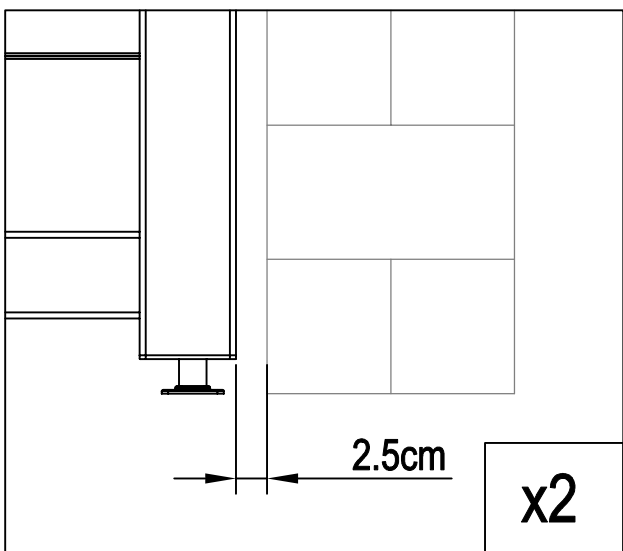
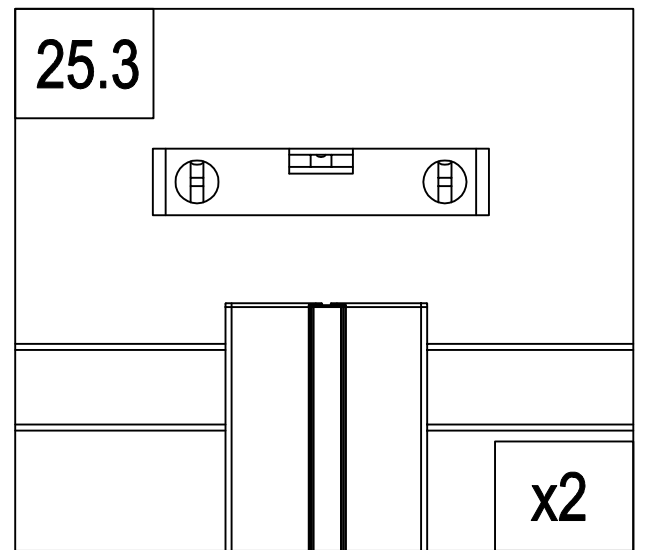
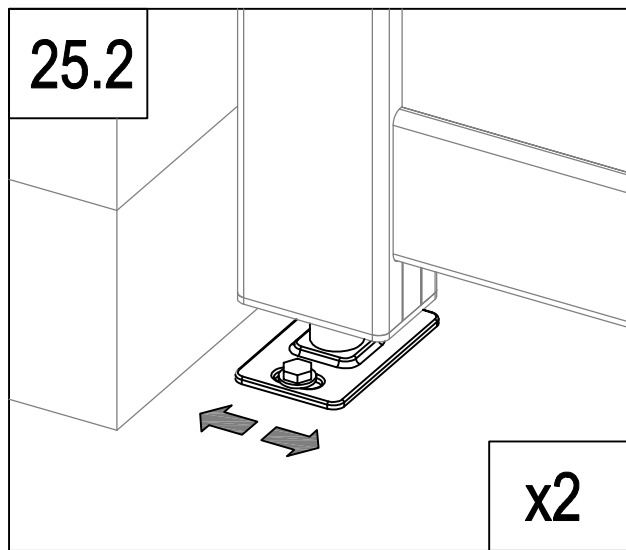
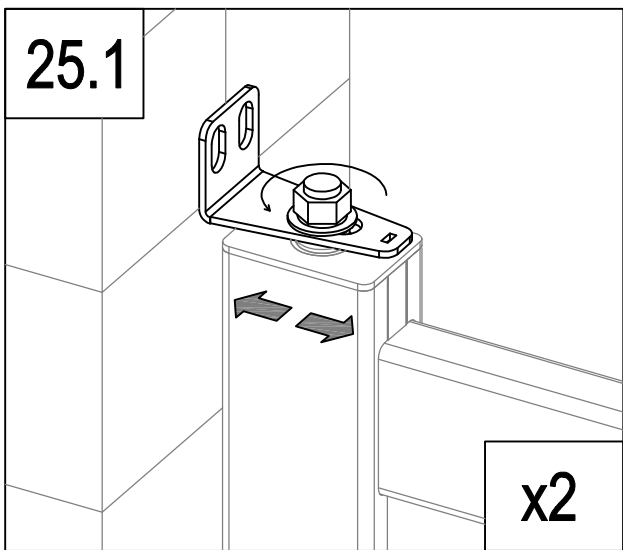
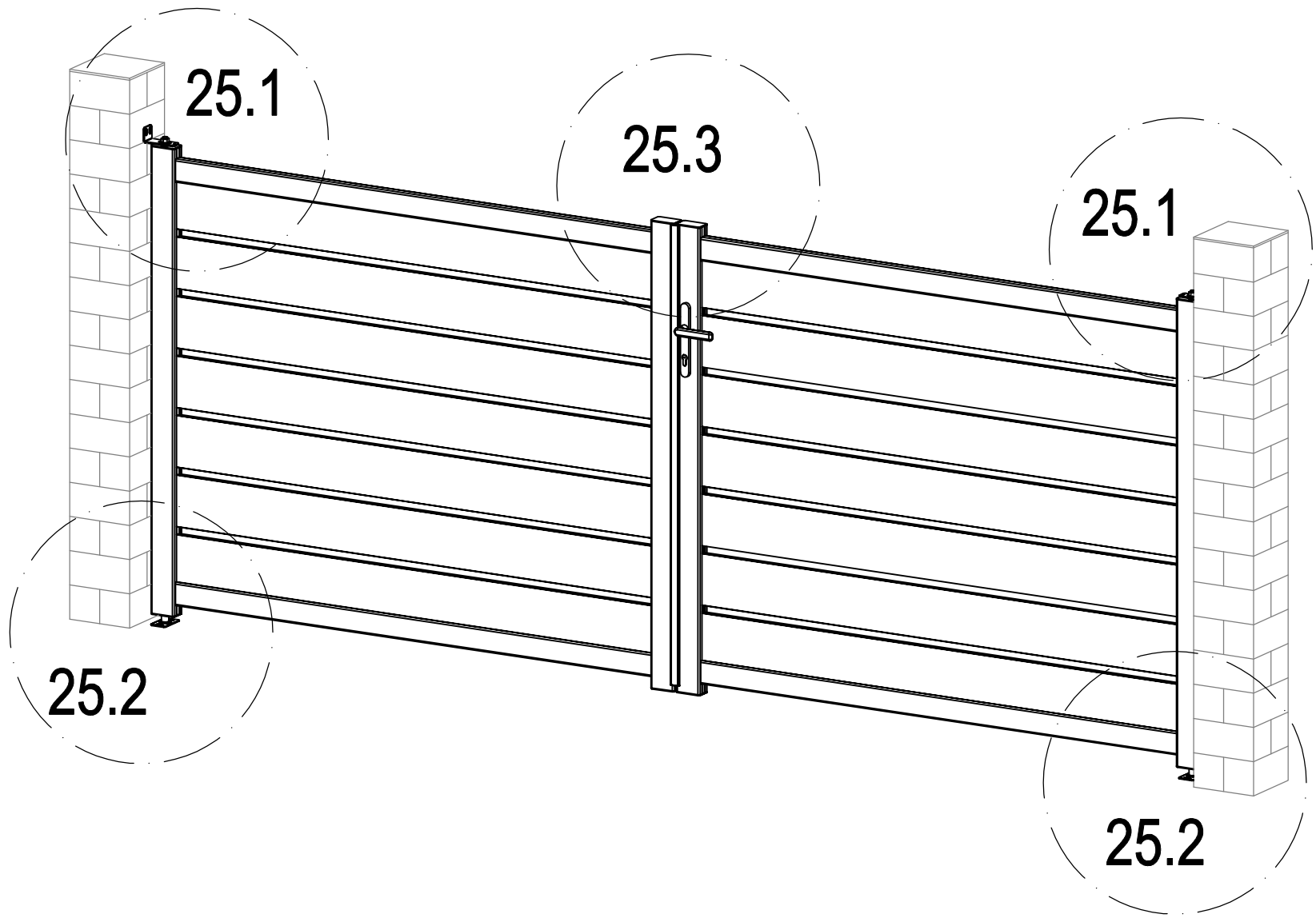
	Dr-12	2
	VT-E32	4

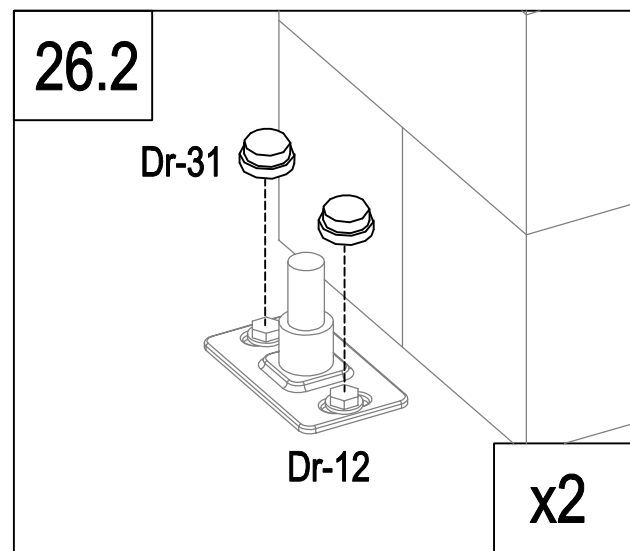
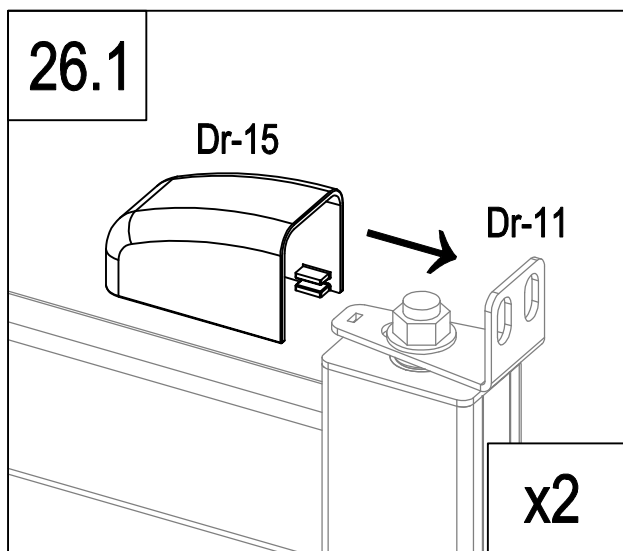
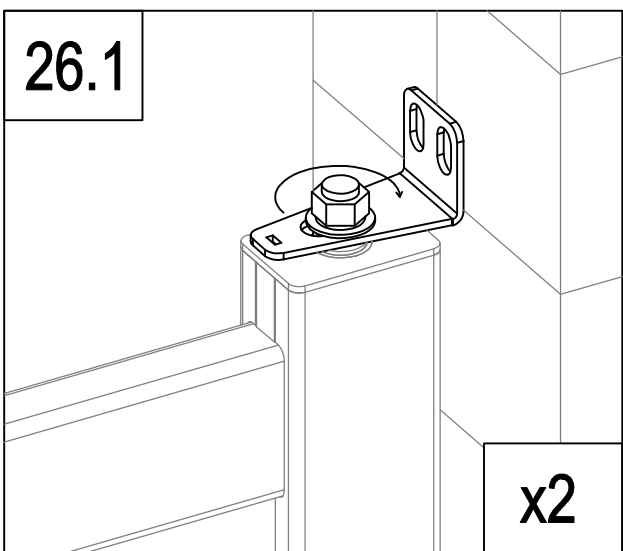
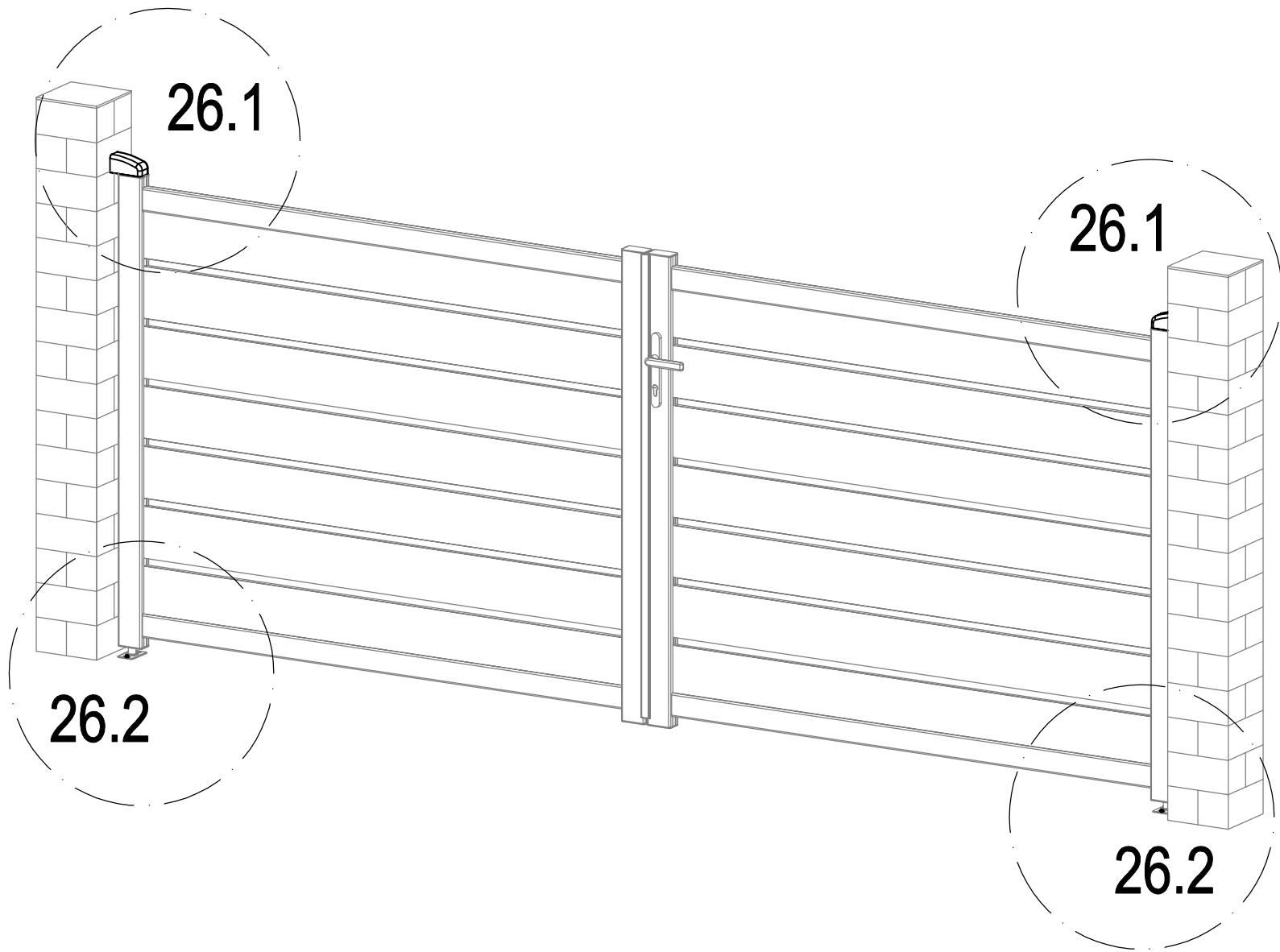


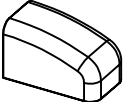

	Dr-11	1
	VT-E32	2

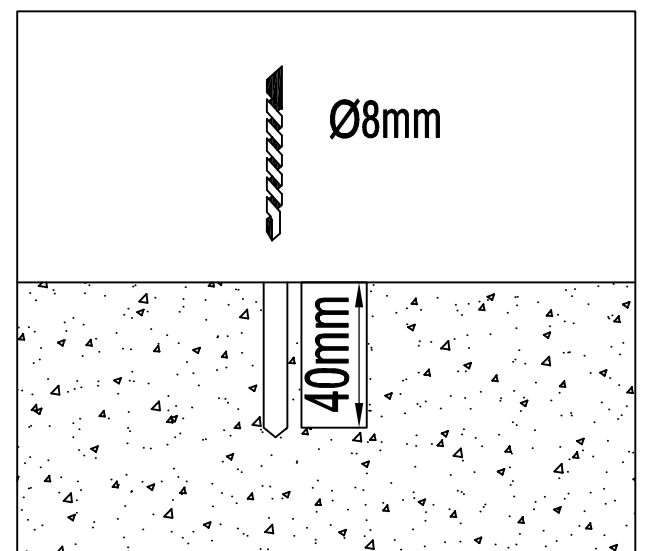
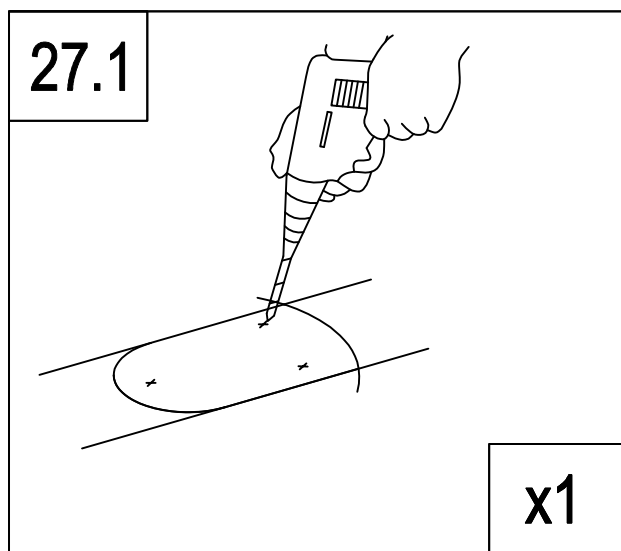
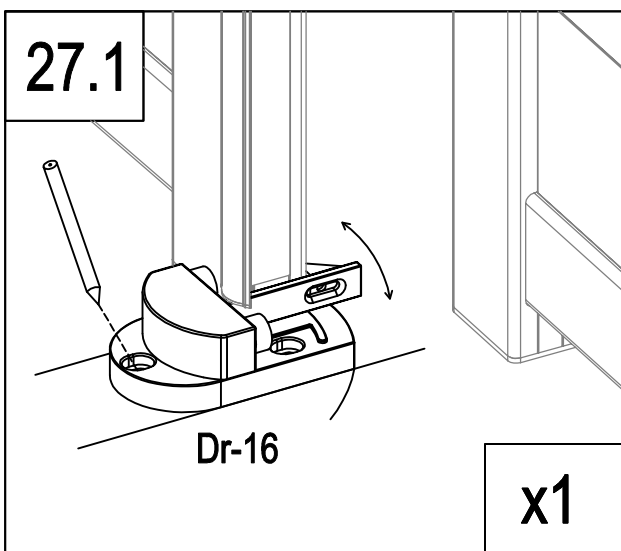
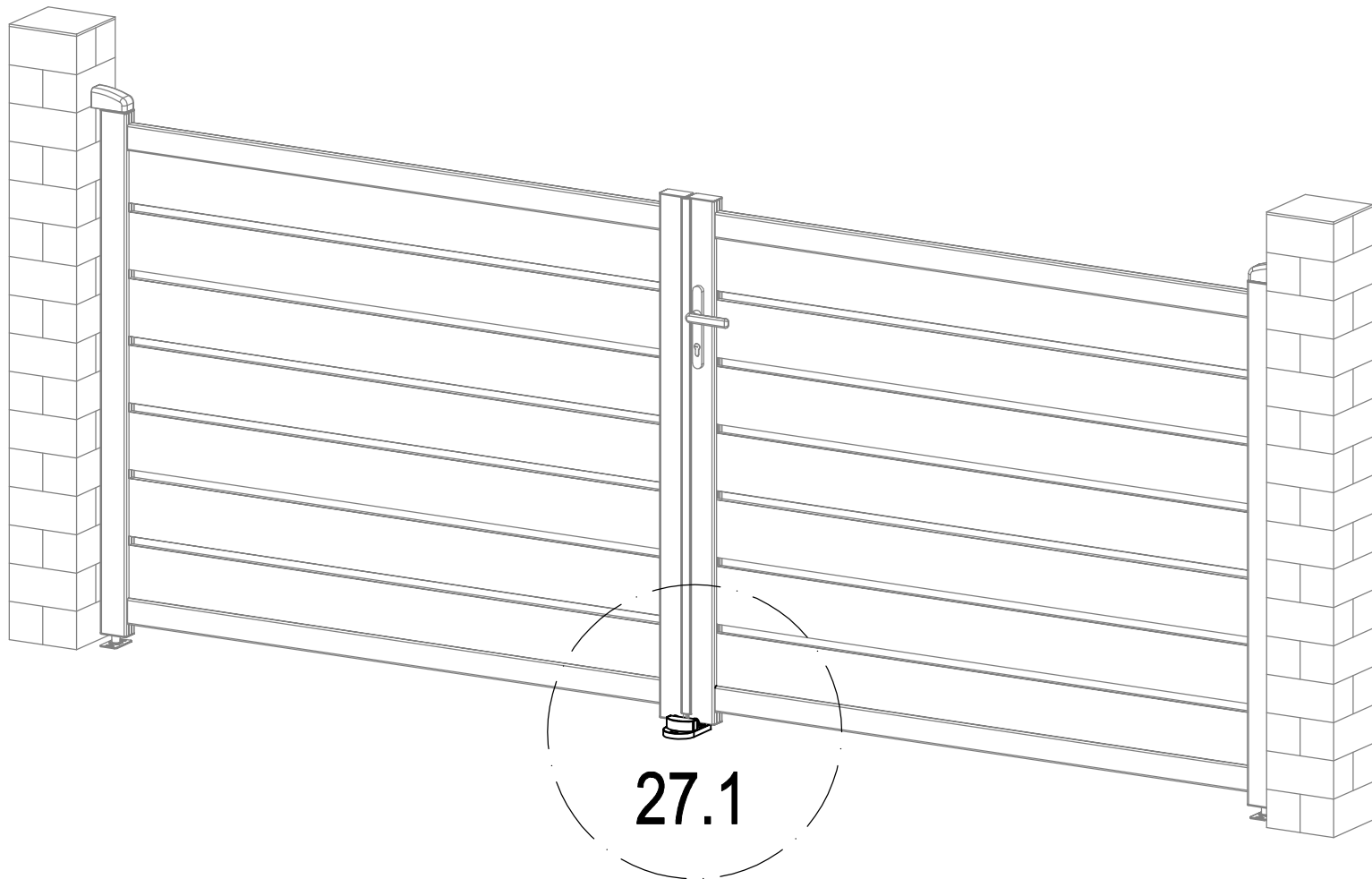


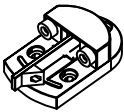


	Dr-11	1
	VT-E32	2

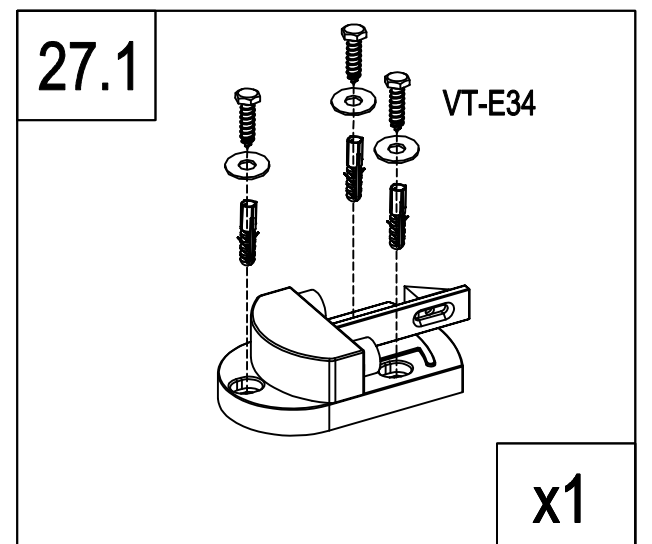


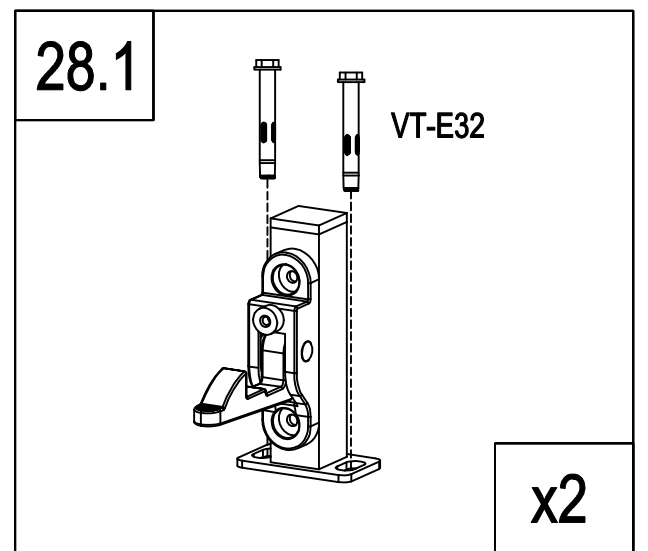
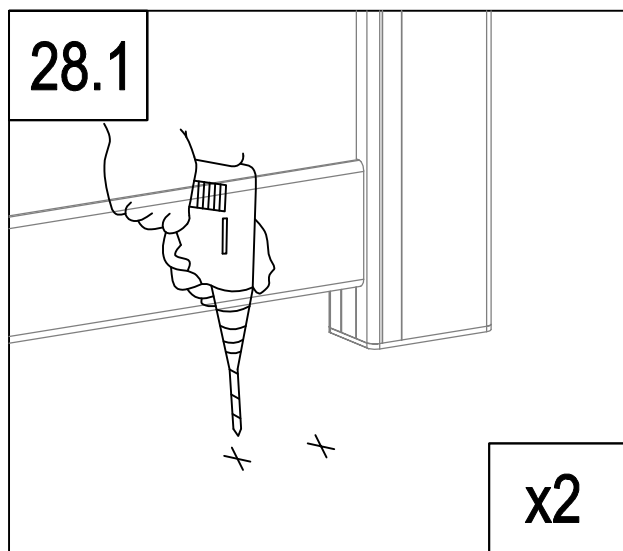
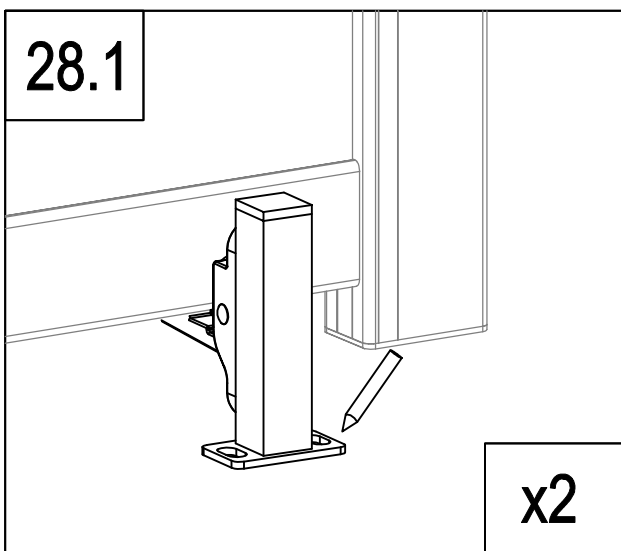
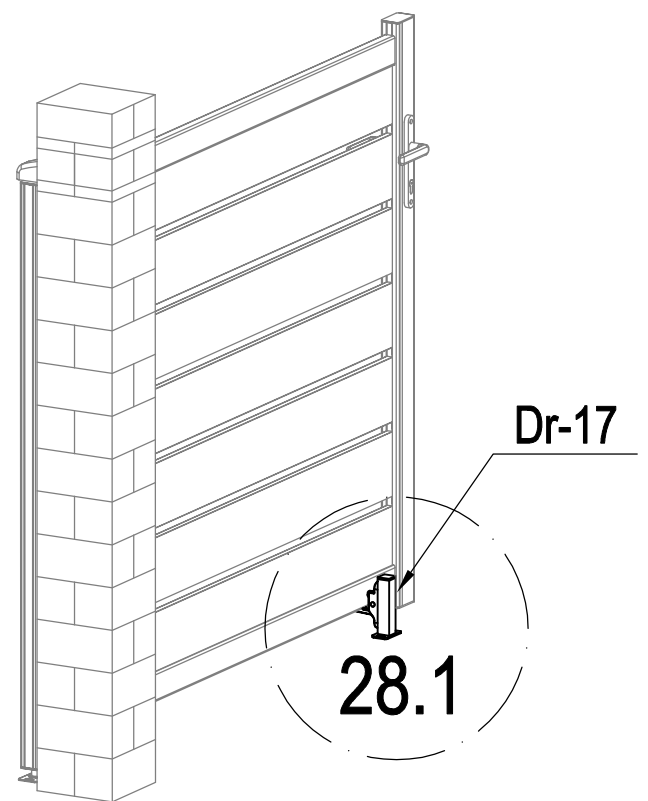
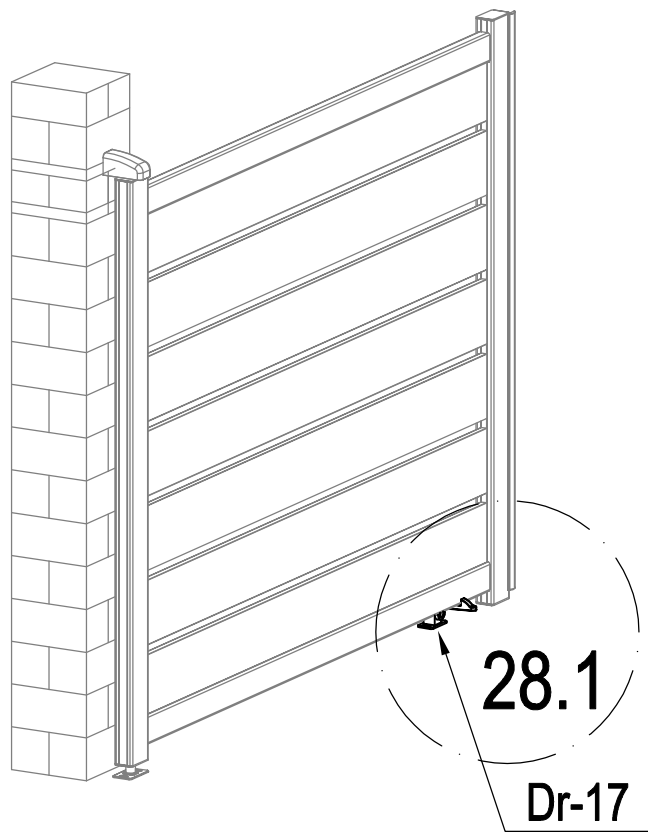



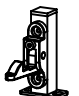
	Dr-15	2
	Dr-31	4



	Dr-16	1
	VT-E34	3
	VT-E35	3





	VT-E32	4
	Dr-17	2