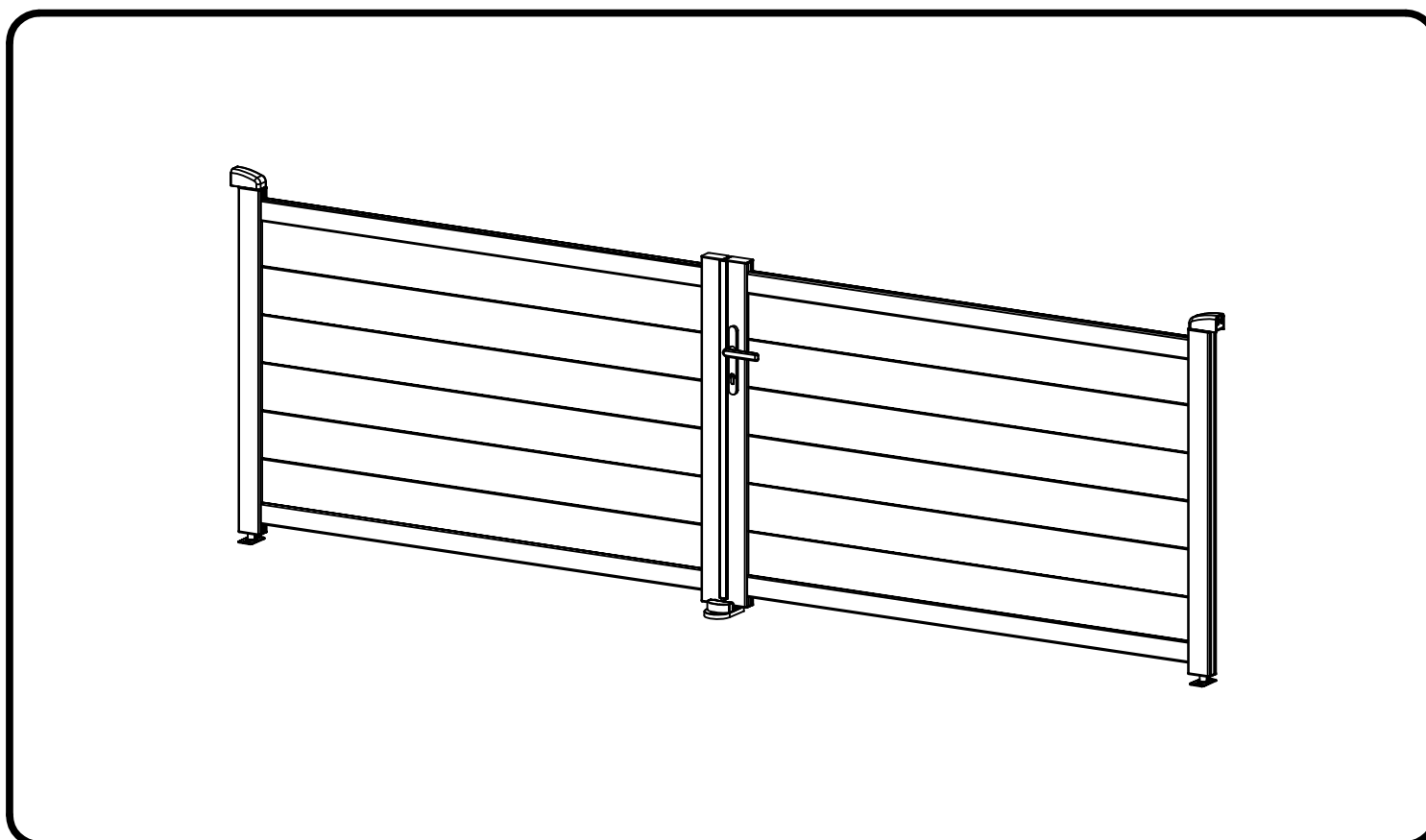


# CASANOVO

## EIGER 350B115



6-7H



x2

COM-000224

[x1]

COM-000225

[x1]

FR

EN

ES

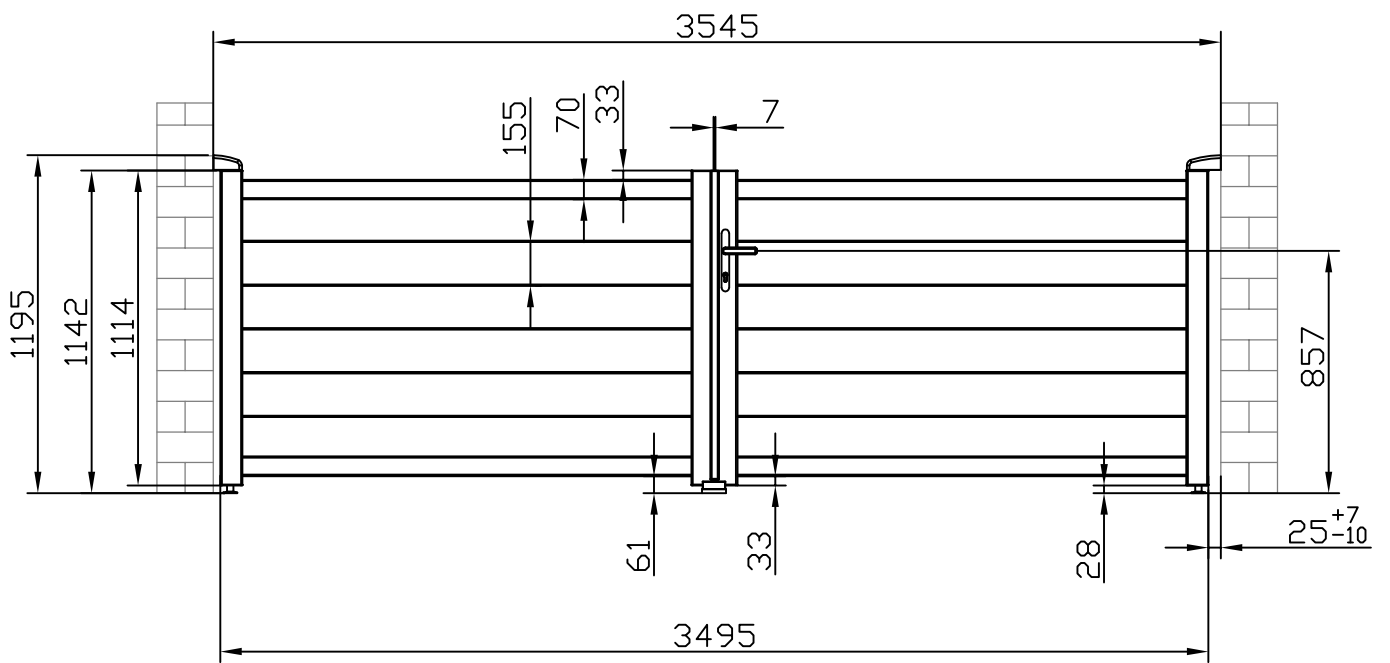
DE

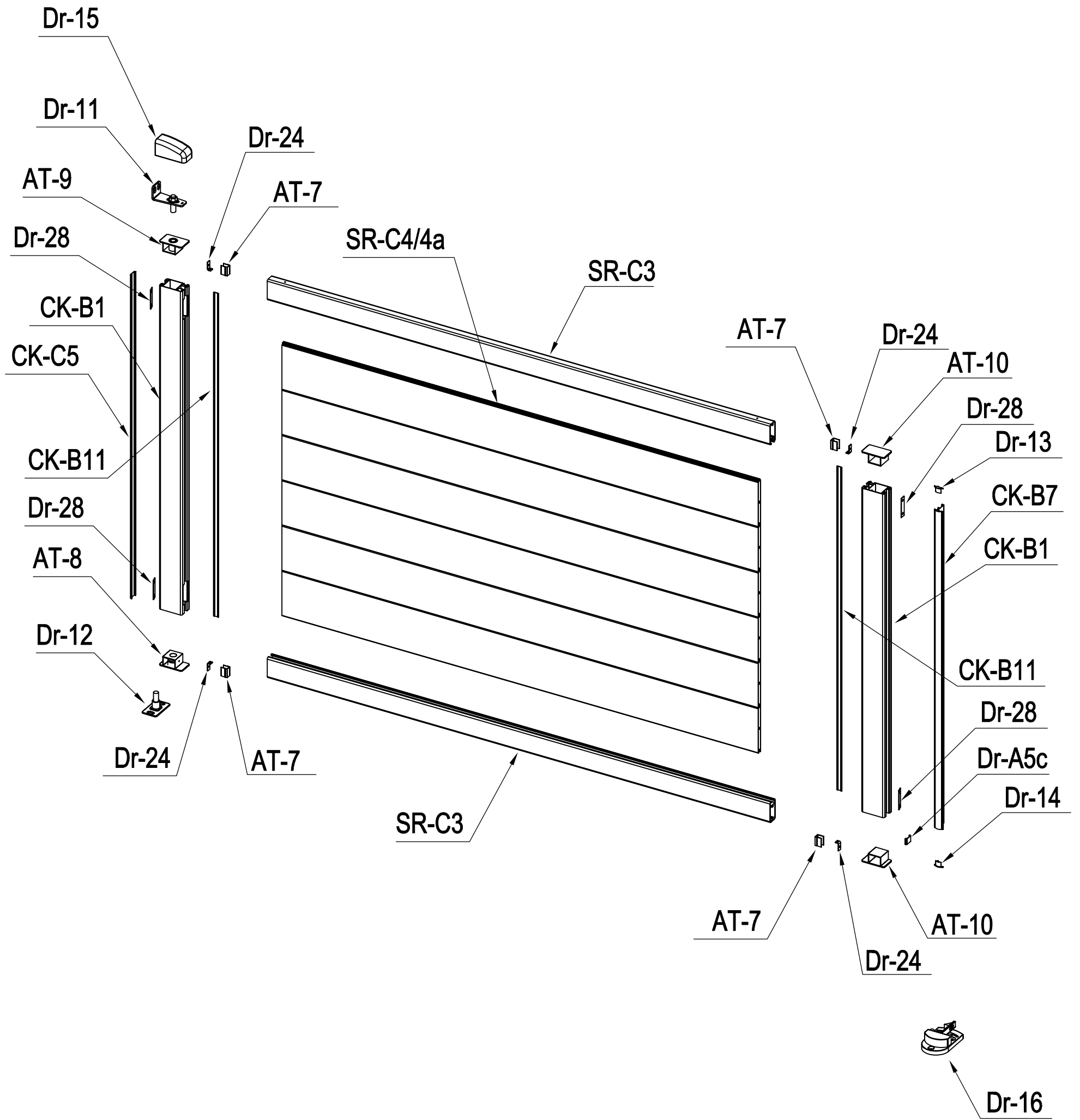
IT

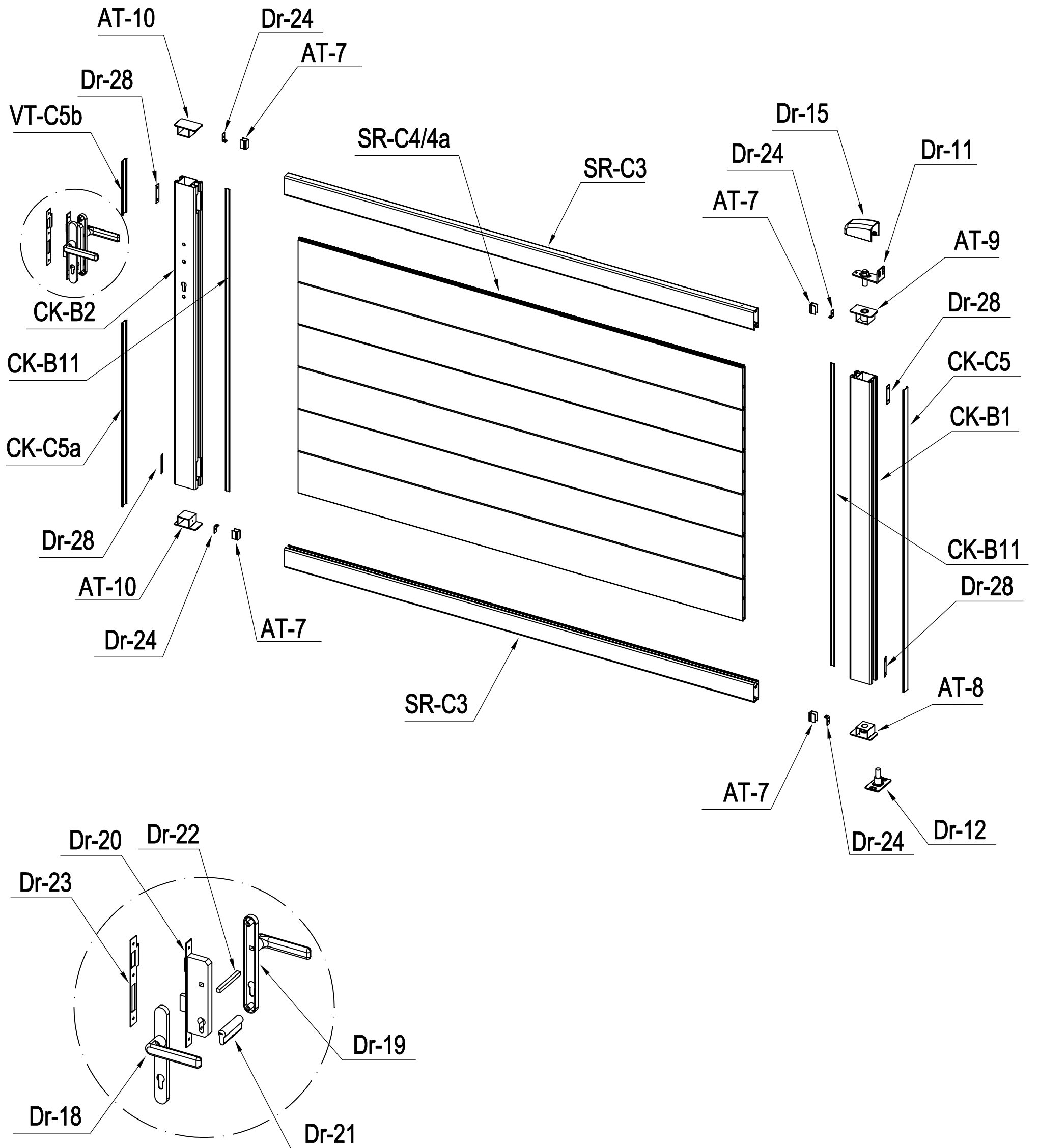
NL

PL

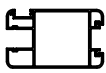
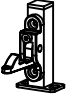

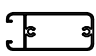
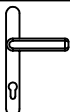

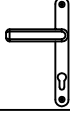
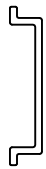



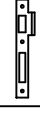

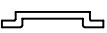




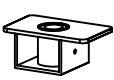

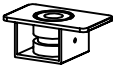



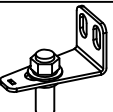

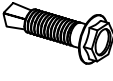




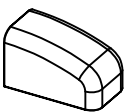
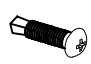
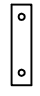
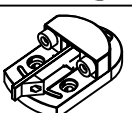


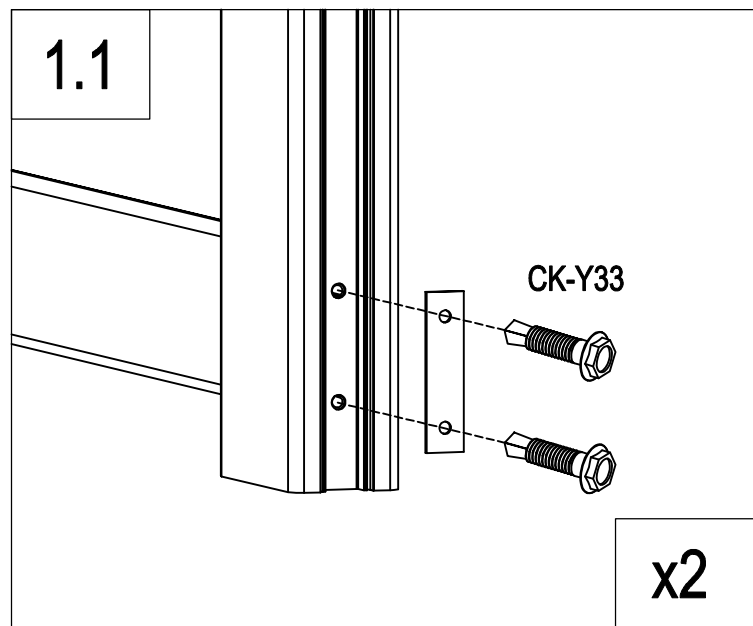
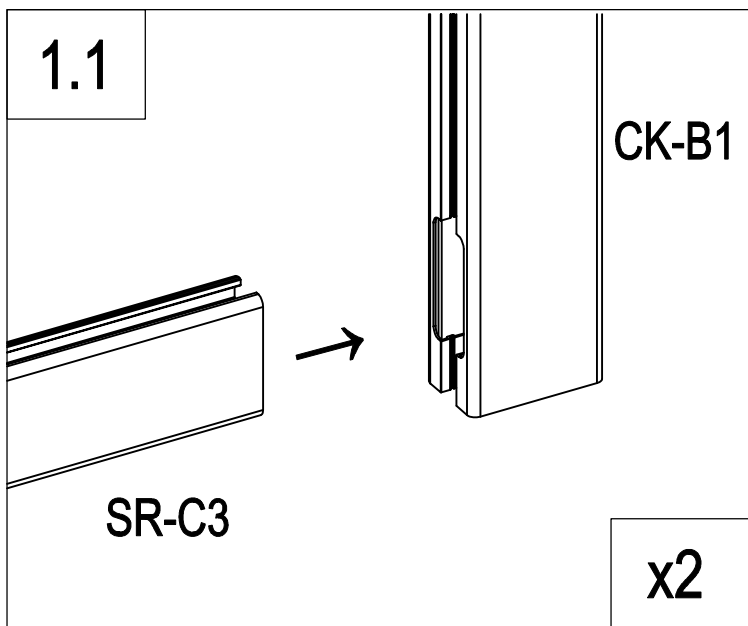
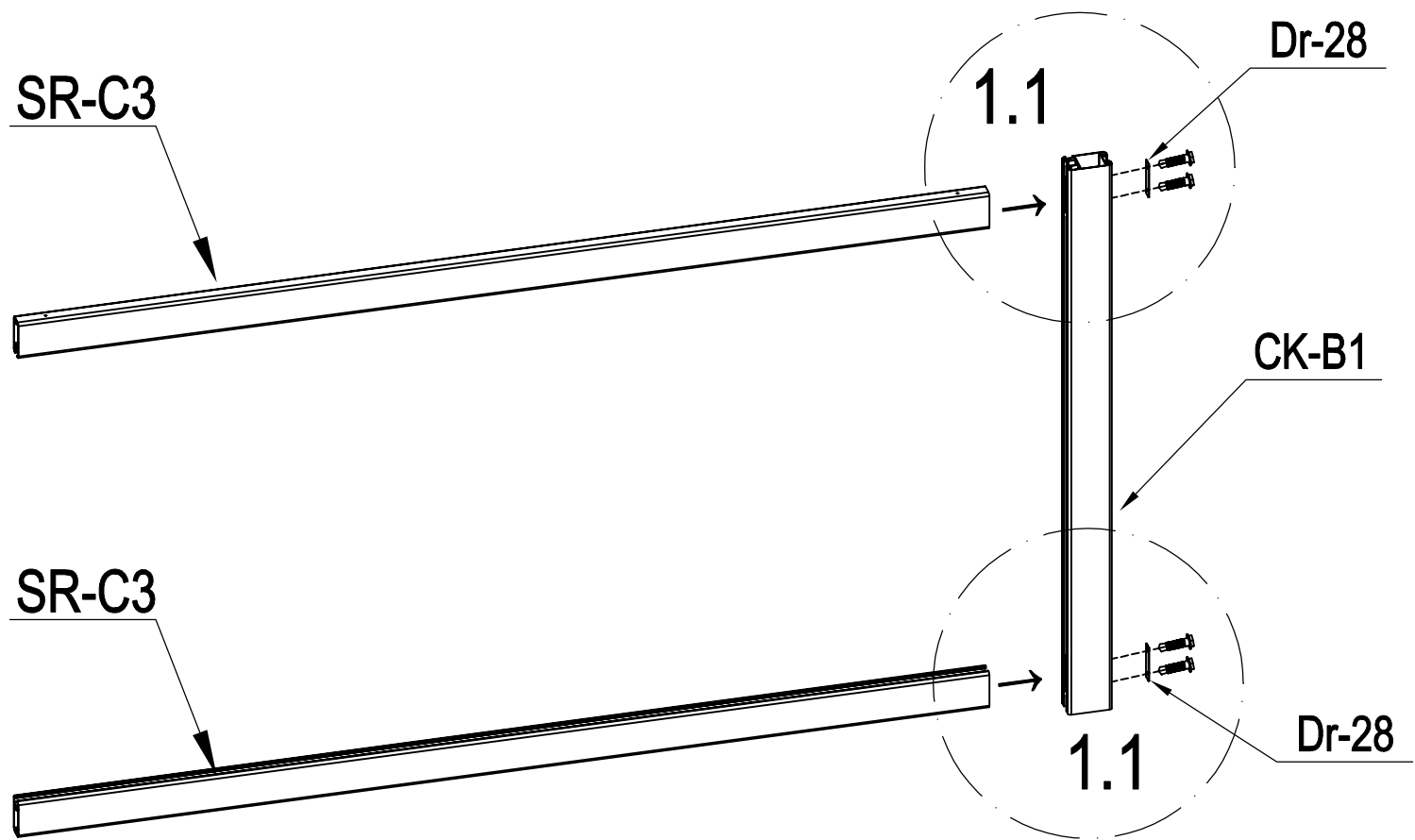


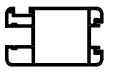
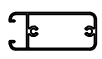




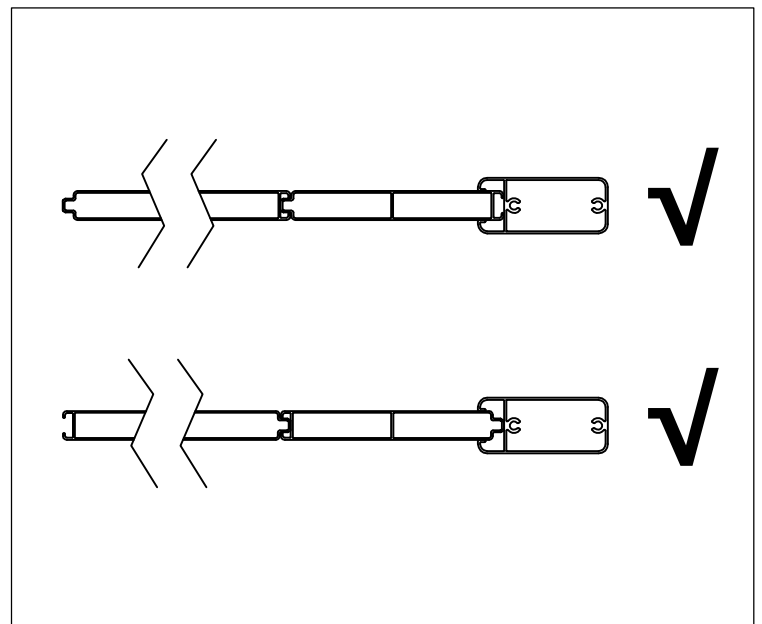
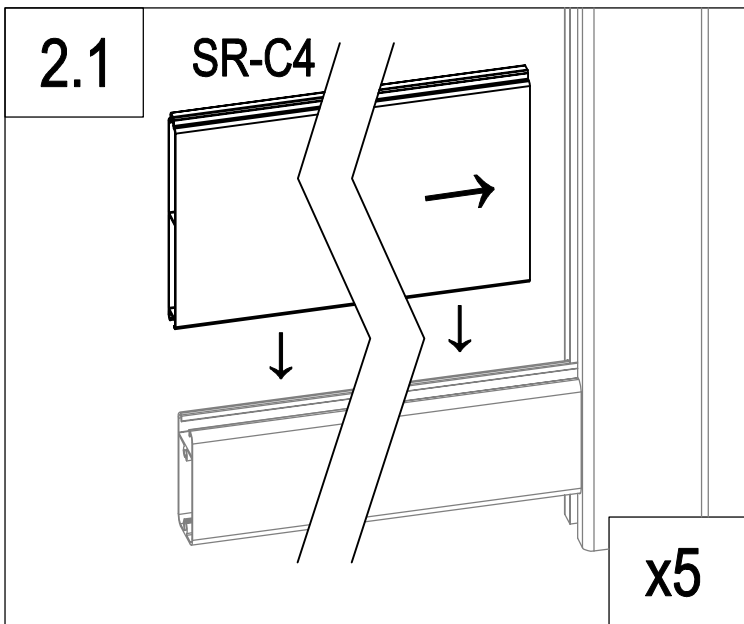
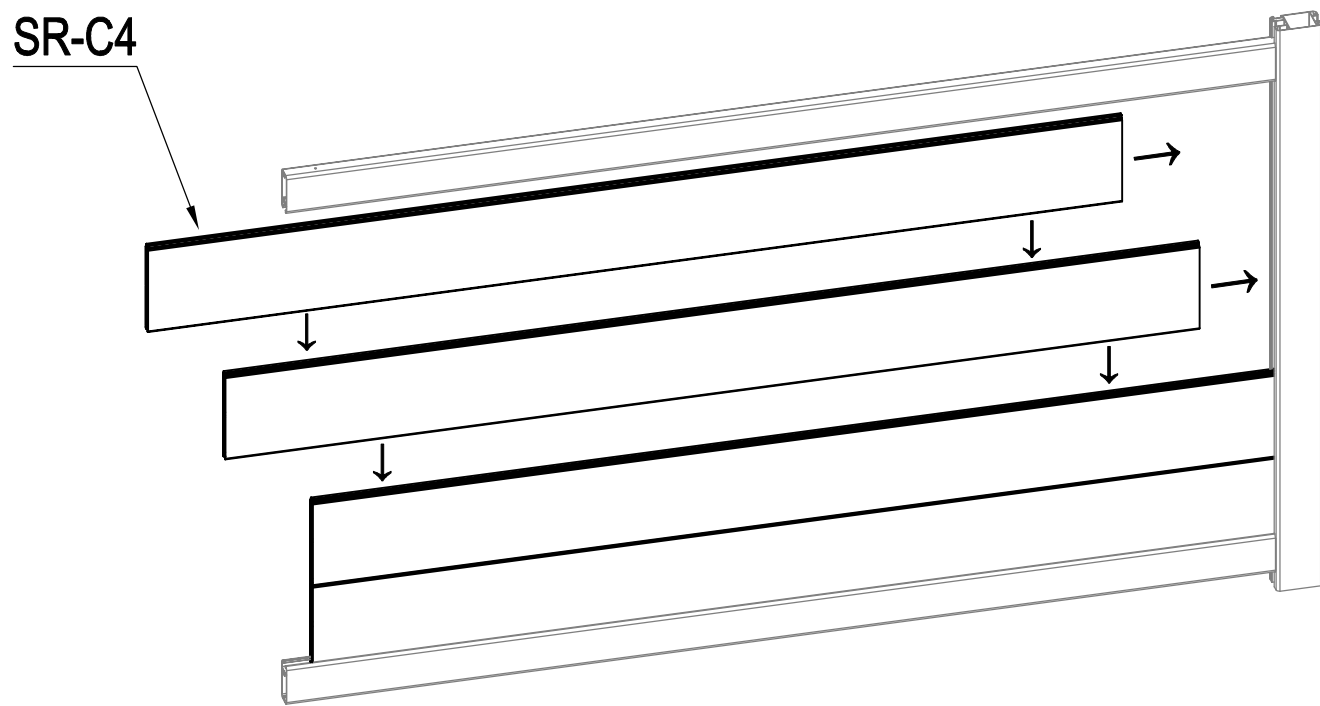


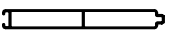
# PART LIST

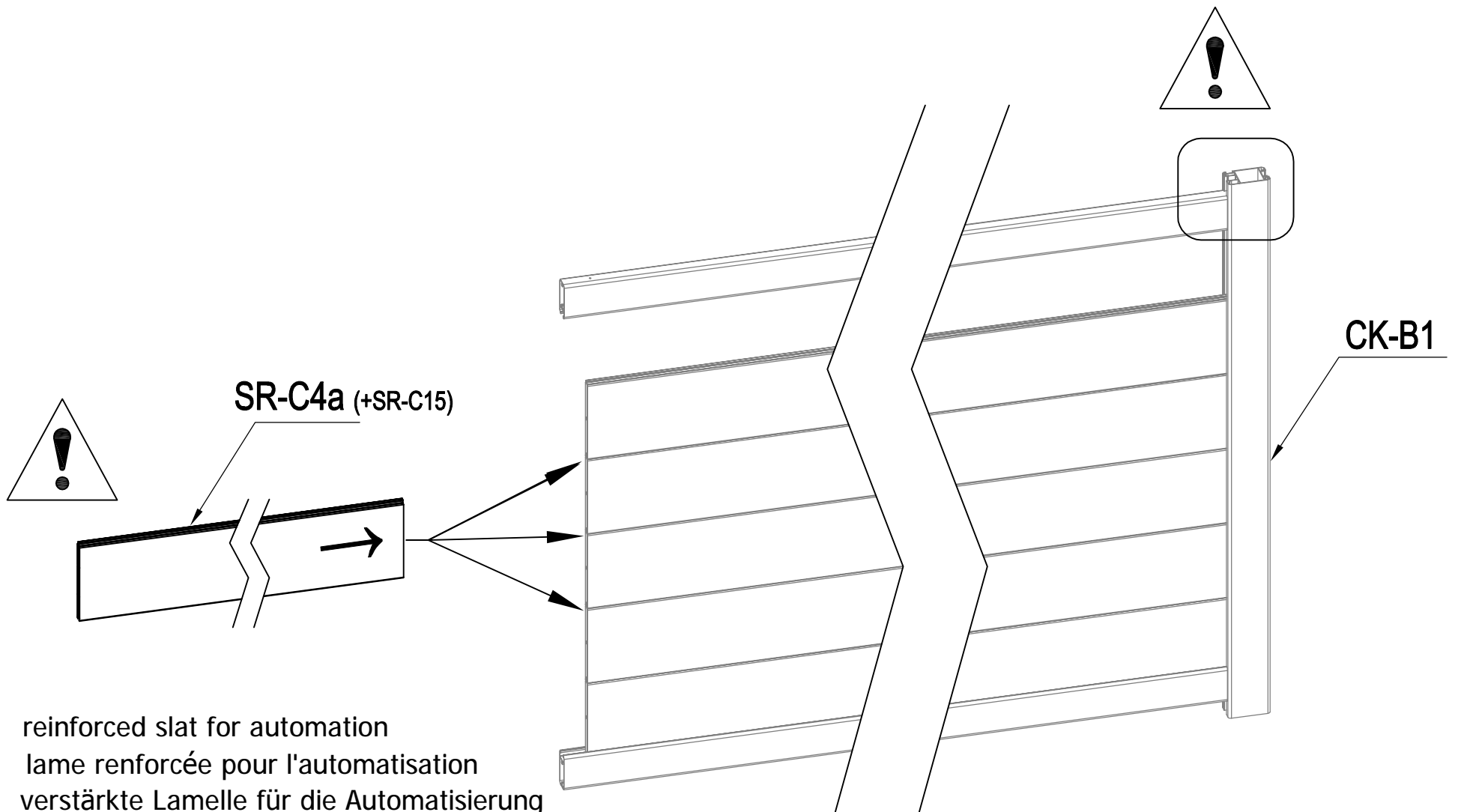
IMAGE	NO.	L.(mm)	QTY	IMAGE	NO.	L.(mm)	QTY
	CK-B1	1108	3		Dr-17		2
	CK-B2	1108	1			Dr-31	
	SR-C3	1721	4			Dr-18	
	SR-C4	1630	10			Dr-19	
	SR-C4a (+SR-C15)	1630	2			Dr-20	
	CK-C5	1108	2			Dr-21	
	VT-C5b	194.5	1			Dr-22	
	CK-C5a	673	1			Dr-23	
Dr-A5c	19.5	1		Dr-24			8
	CK-B11	1108		4		Dr-25	
	AT-7	29.5	8			Dr-25a	
	CK-B7	1088	1			Dr-26	
	AT-8		2			Dr-27	
	AT-9		2			CK-Y30	
	AT-10		4			CK-Y31	
	Dr-11		2			CK-Y32	
	Dr-12		2			CK-Y33	
	Dr-13		1			CK-Y34	
	Dr-14		1			CK-Y35	
	Dr-15		2			CK-Y36	
	Dr-16		1			Dr-28	
							



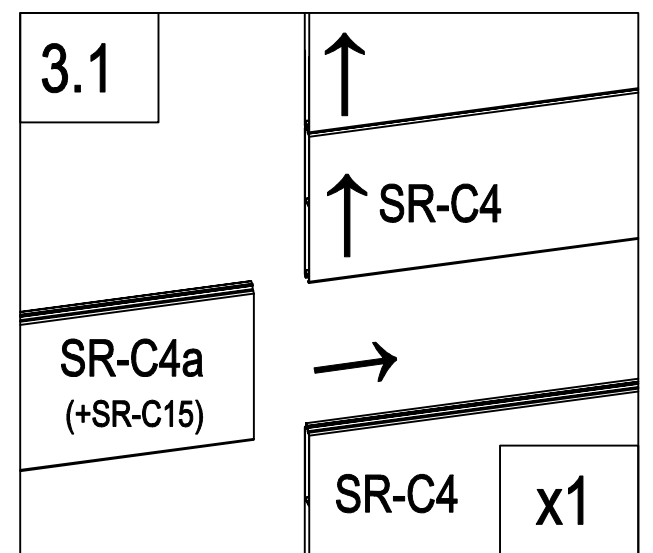
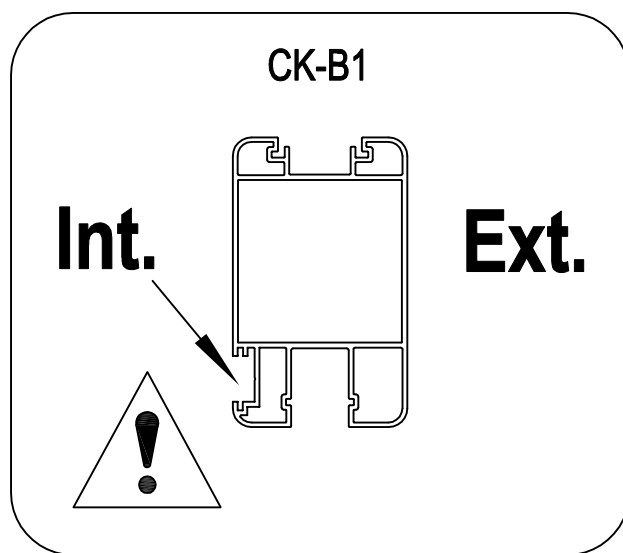
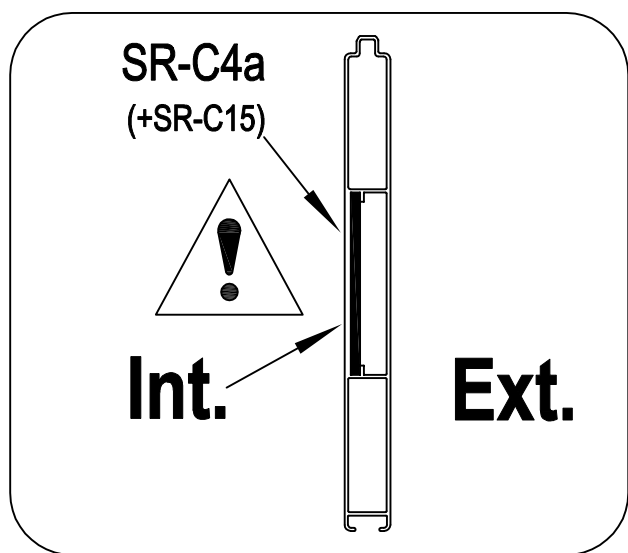
	CK-B1	1
	SR-C3	2
	Dr-28	2
	CK-Y33	4




	SR-C4	5
---	-------	---

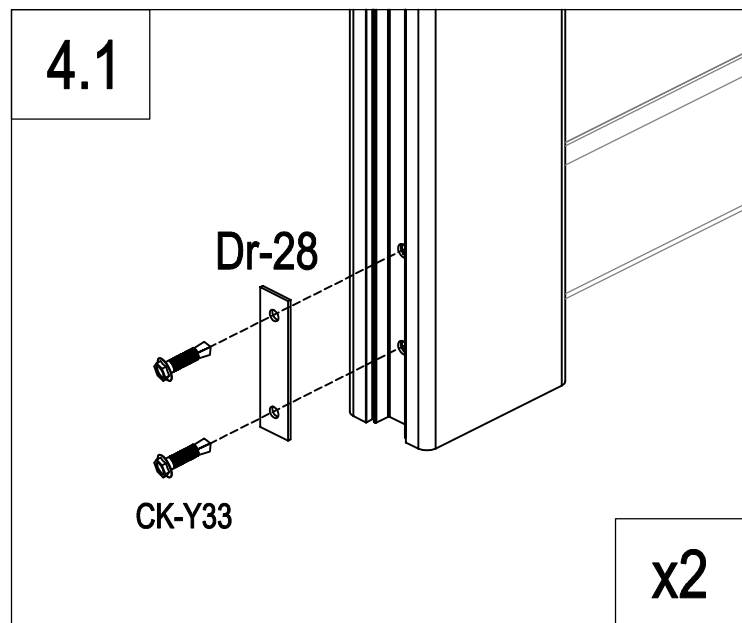
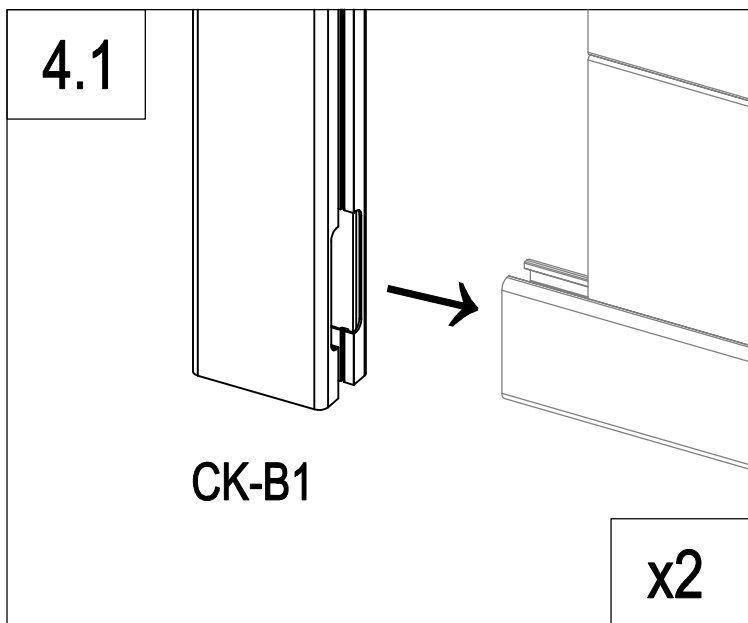
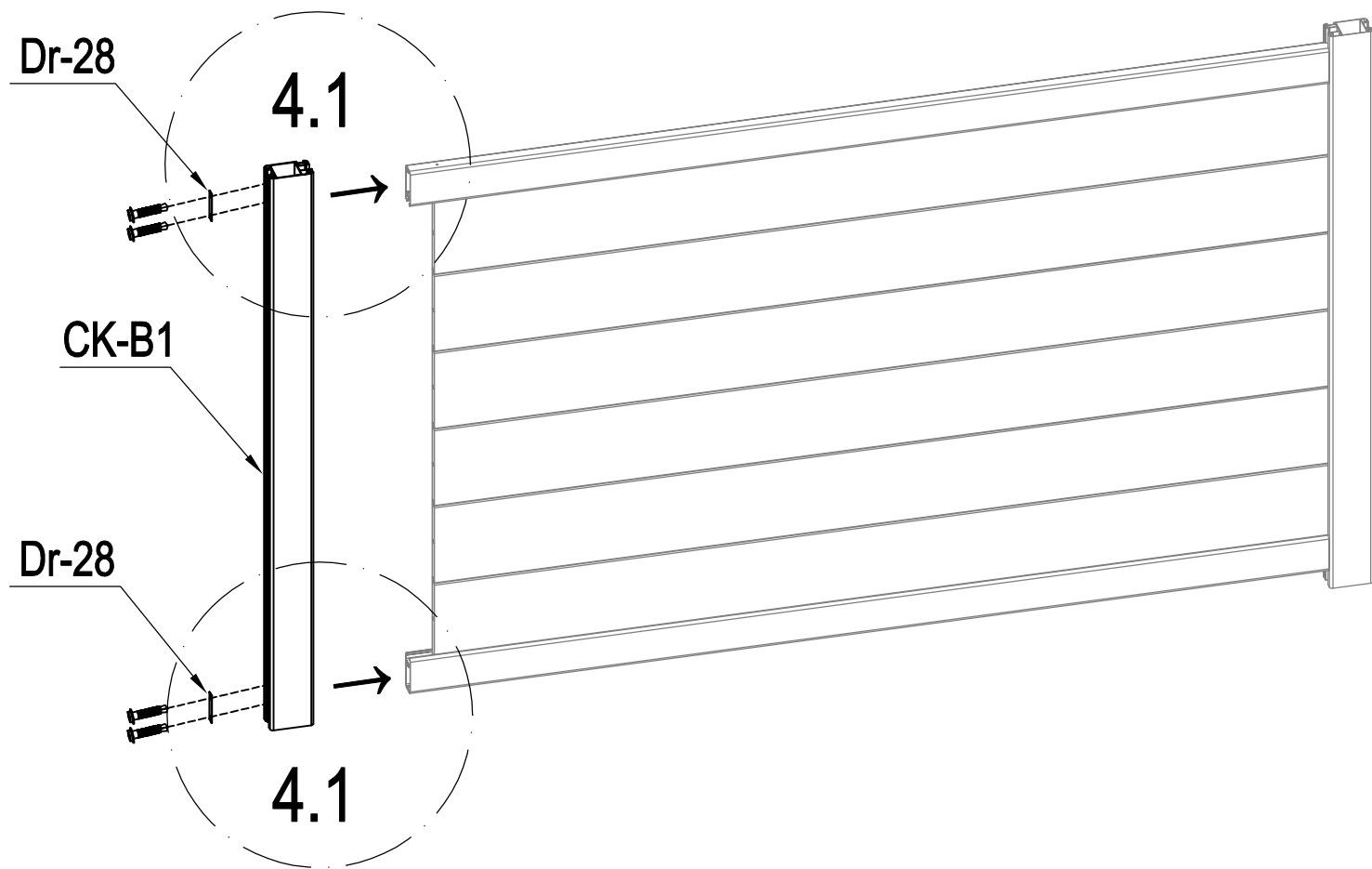


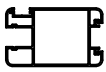

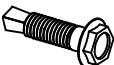
- EN: reinforced slat for automation
- FR: lame renforcée pour l'automatisation
- DE: verstärkte Lamelle für die Automatisierung
- ES: Lámina reforzada para la automatización
- PT: ripa reforçada para automatização
- IT: lamella rinforzata per l'automazione
- NL: versterkte lat voor automatisering
- PL: wzmocniona listwa do automatyzacji

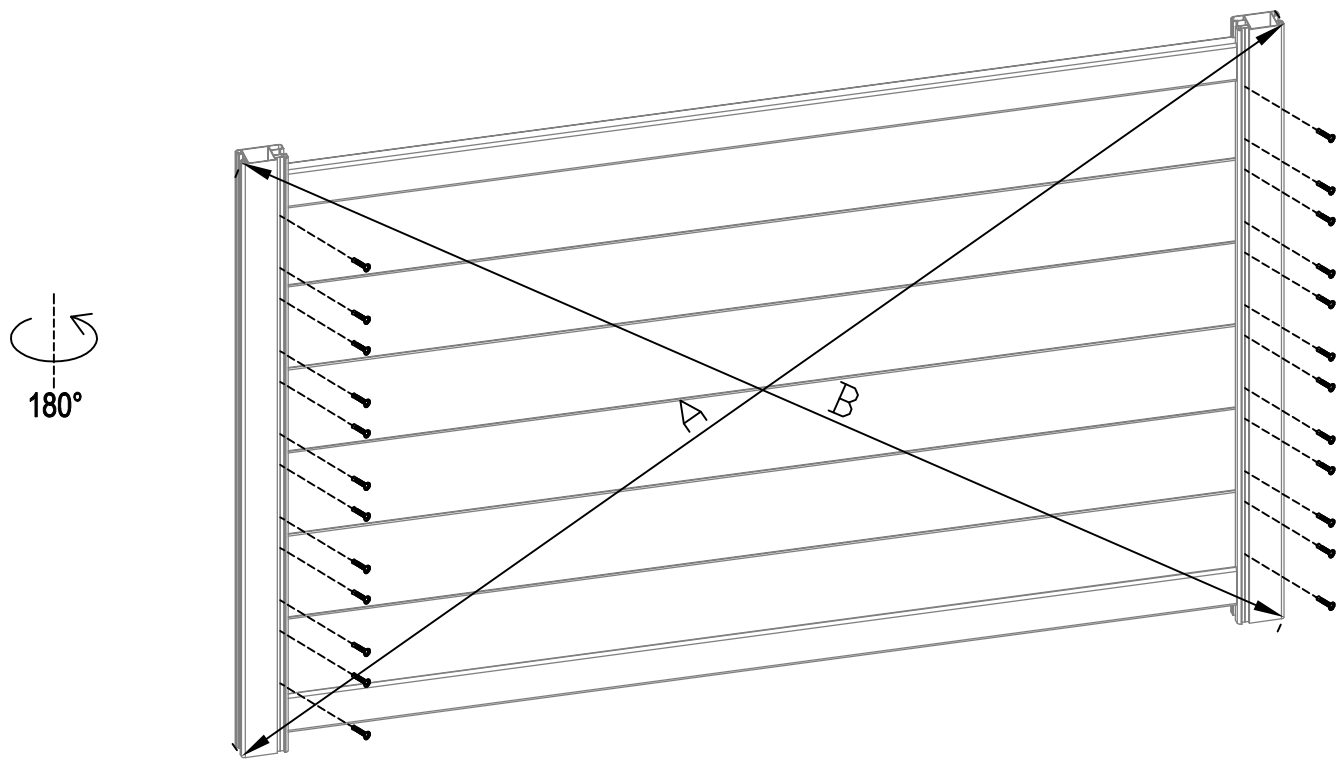


	SR-C4a (+SR-C15)	1
---	------------------	---

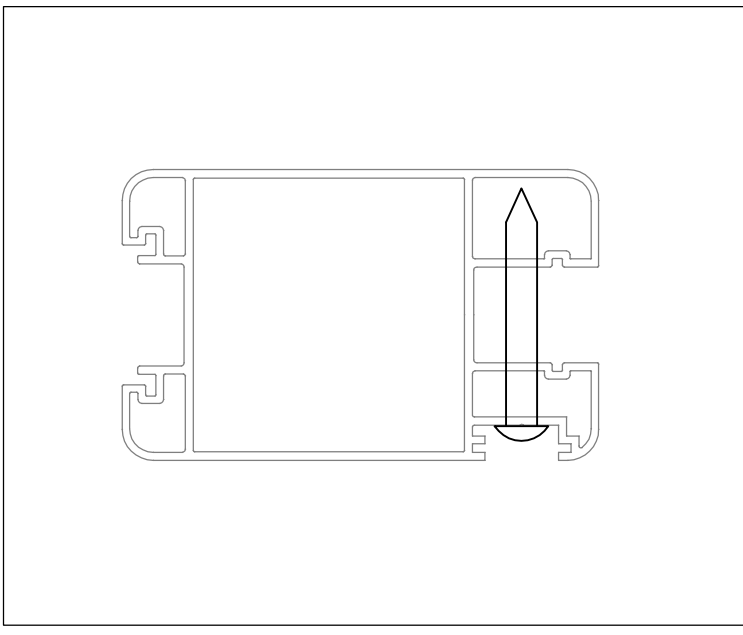
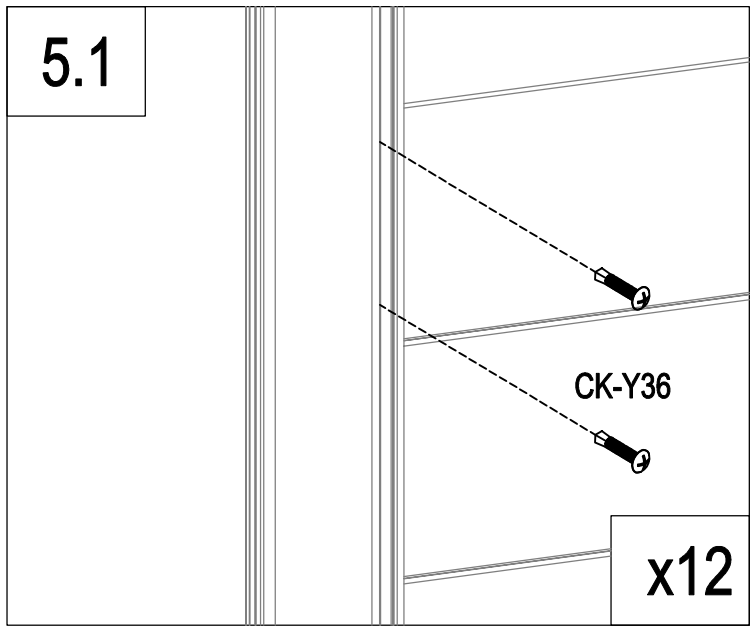


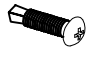


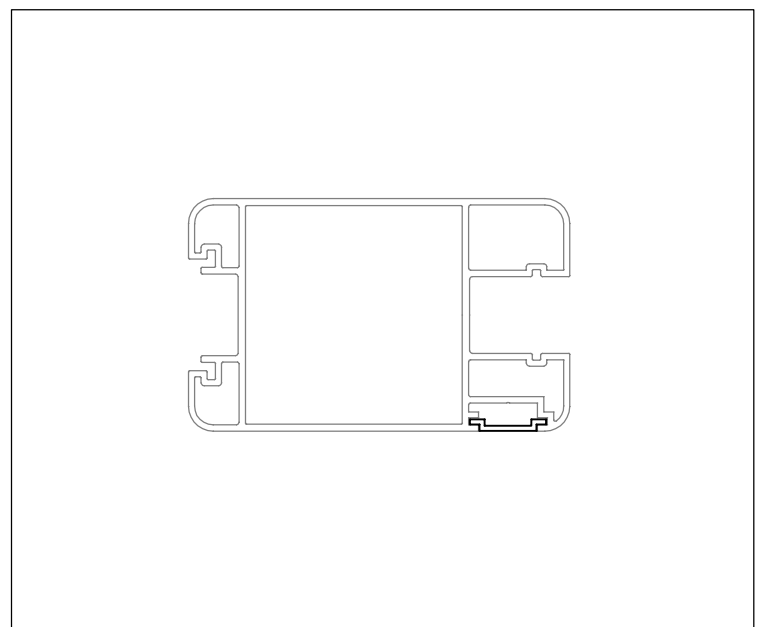
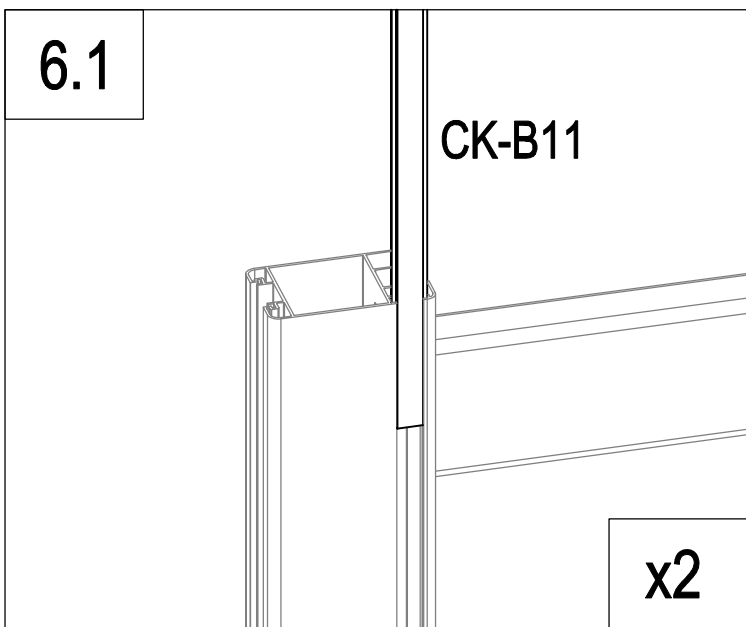
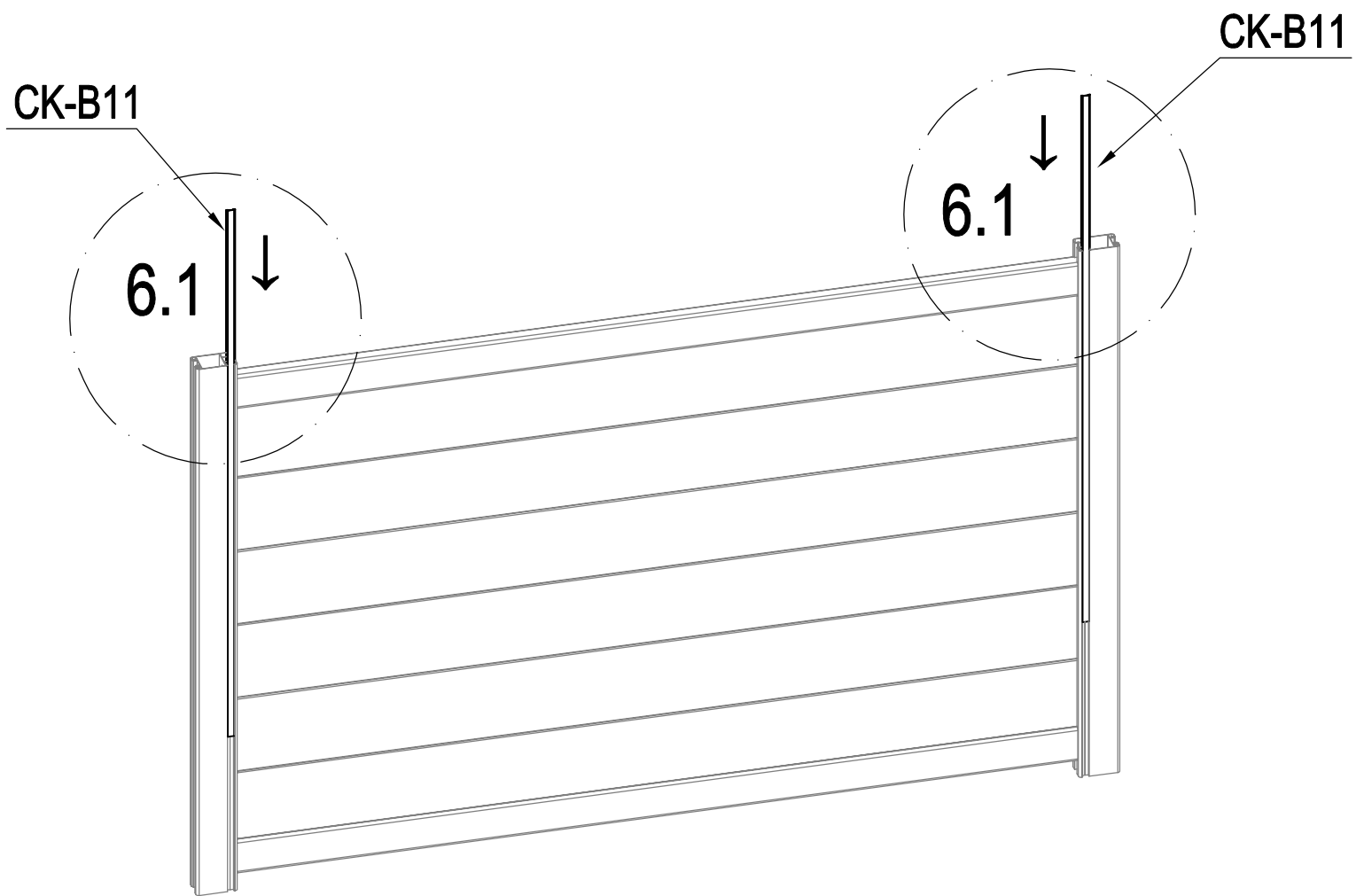
	CK-B1	1
	Dr-28	2
	CK-Y33	4



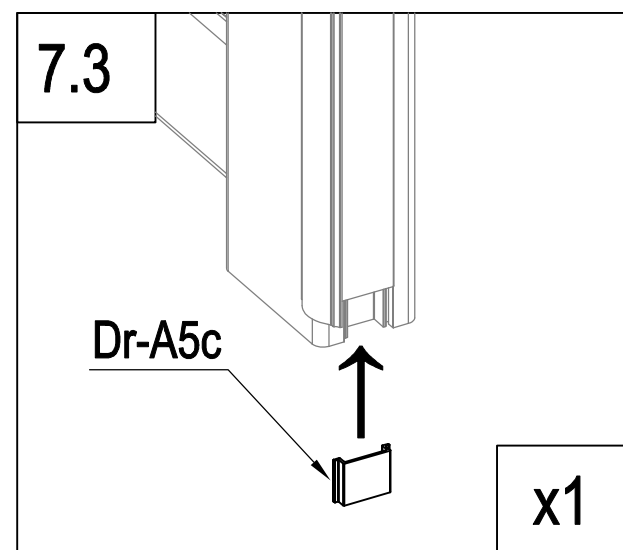
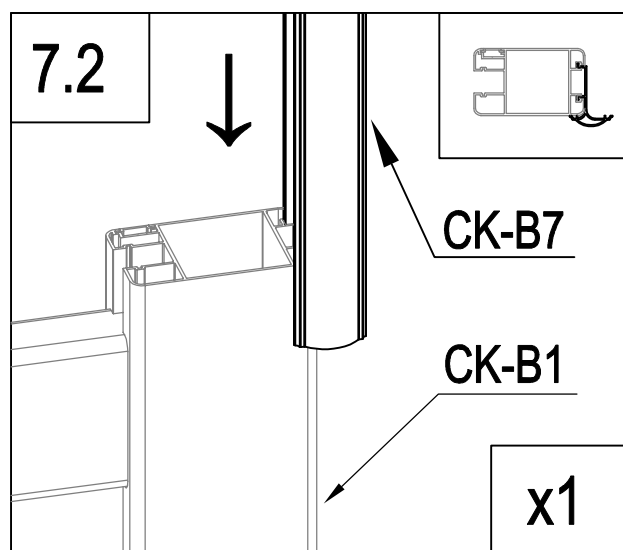
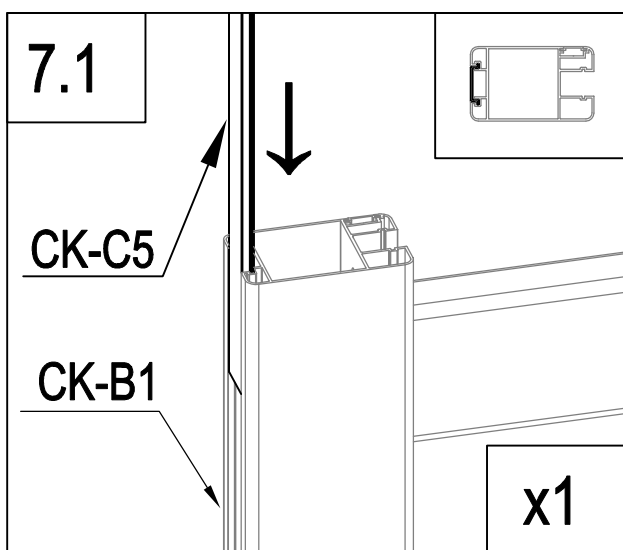
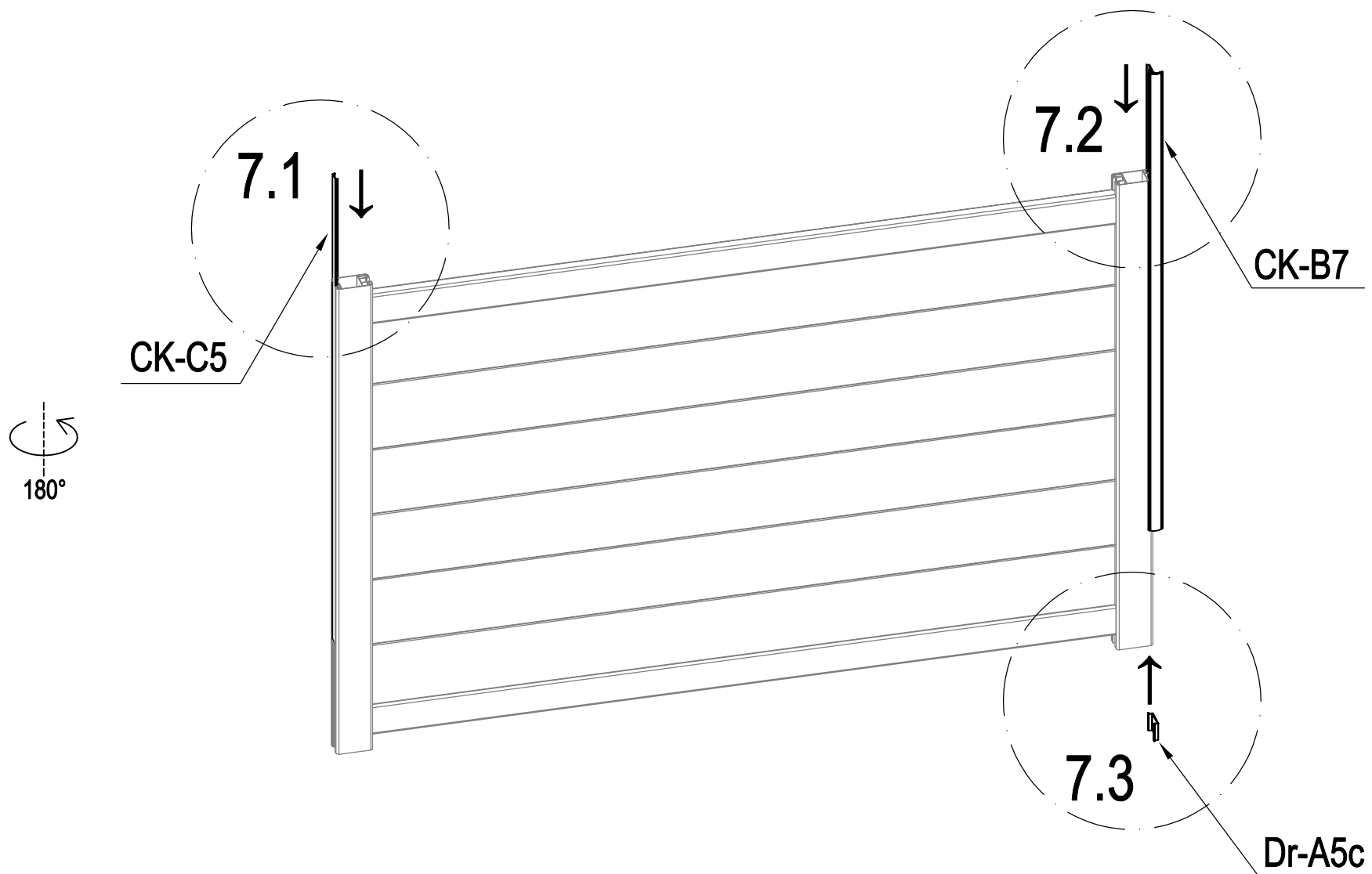
A=B

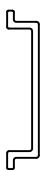
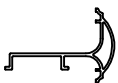


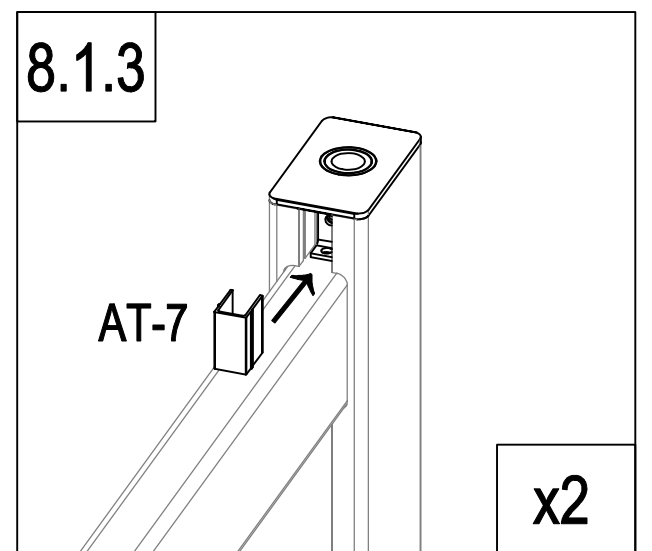
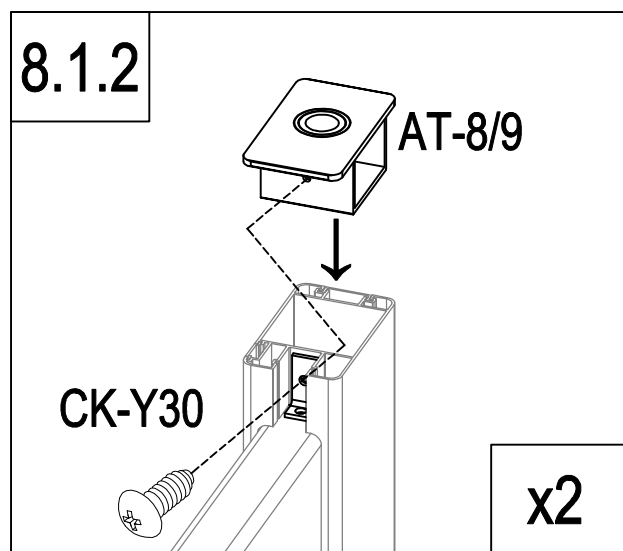
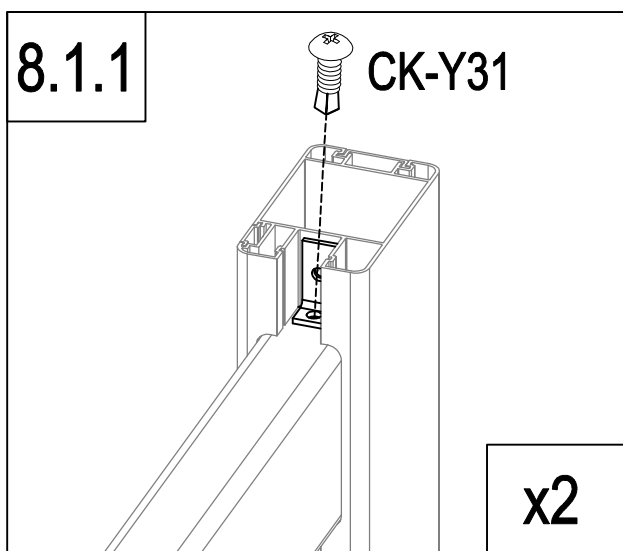
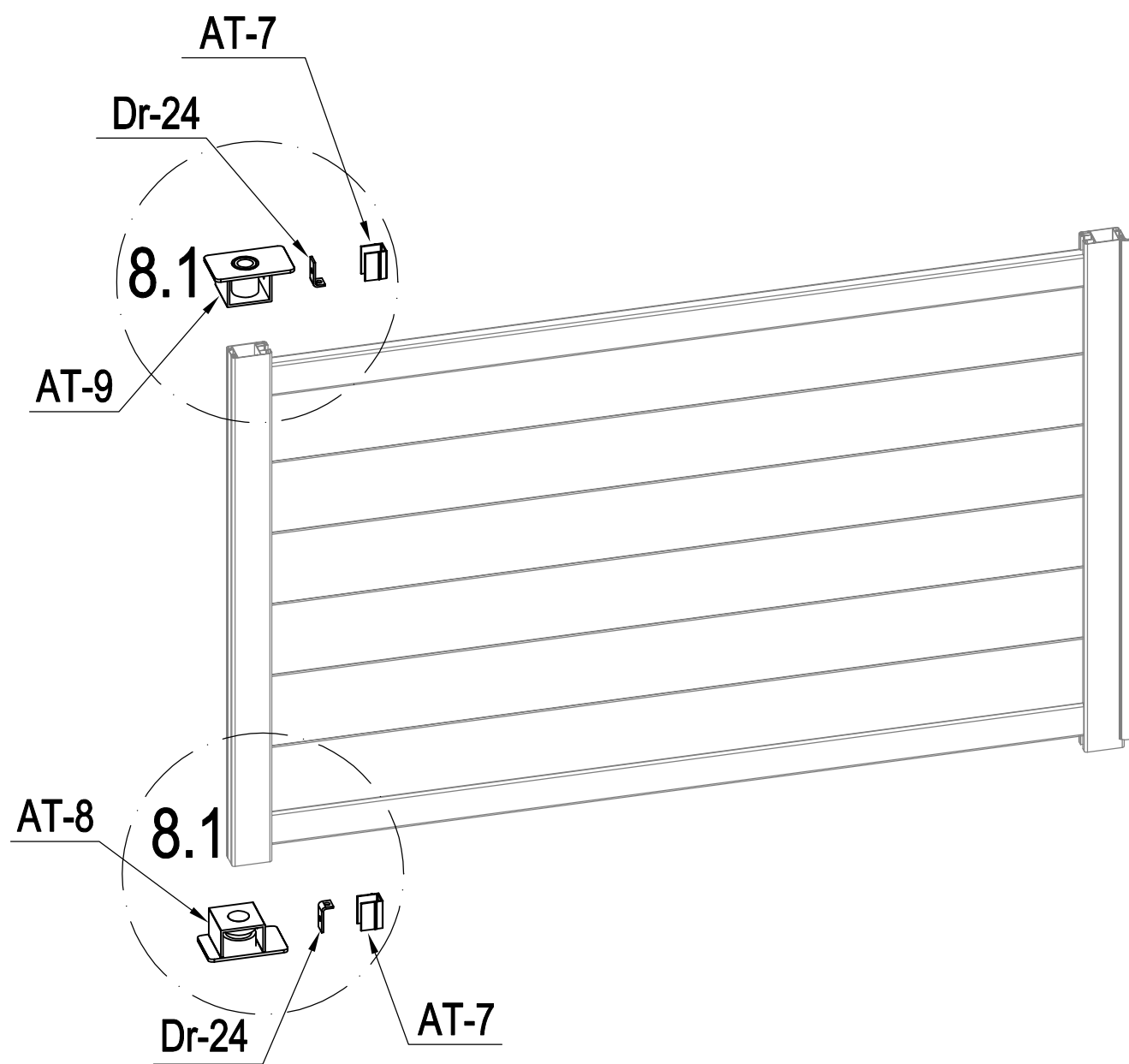
	<p>CK-Y36</p>	<p>24</p>
---	---------------	-----------

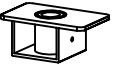





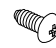
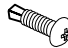
	<b>CK-B11</b>	<b>2</b>
---	---------------	----------

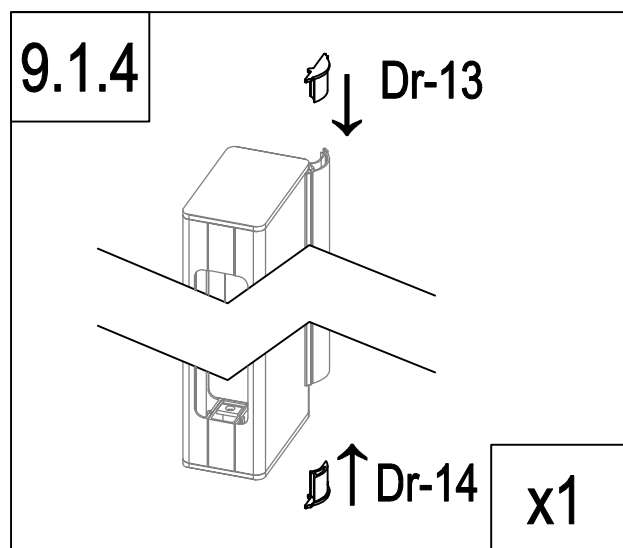
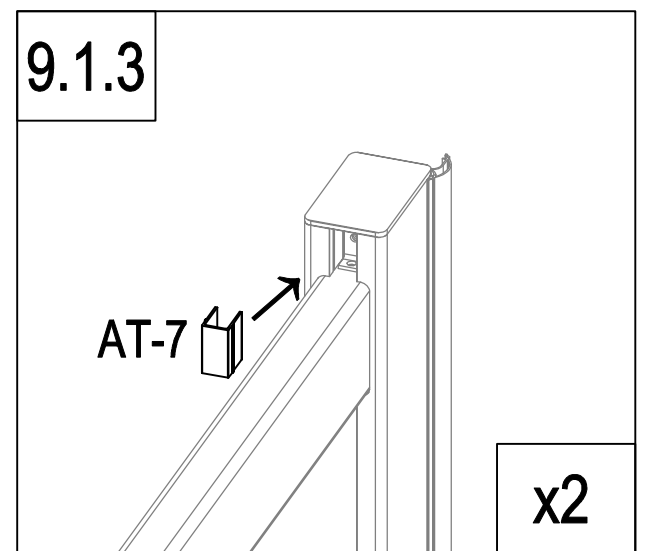
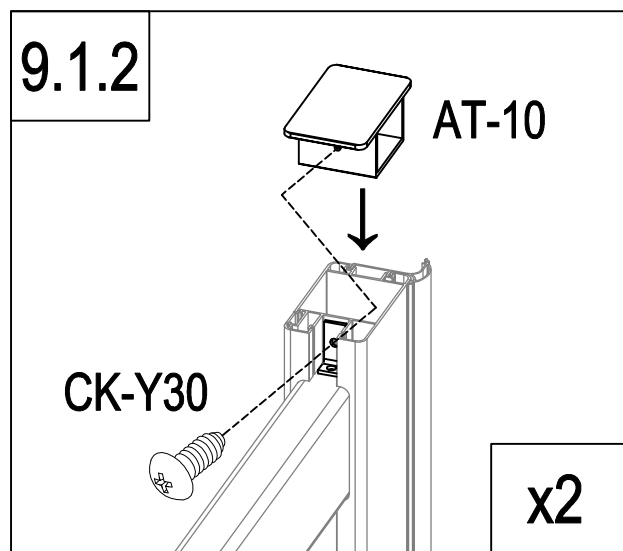
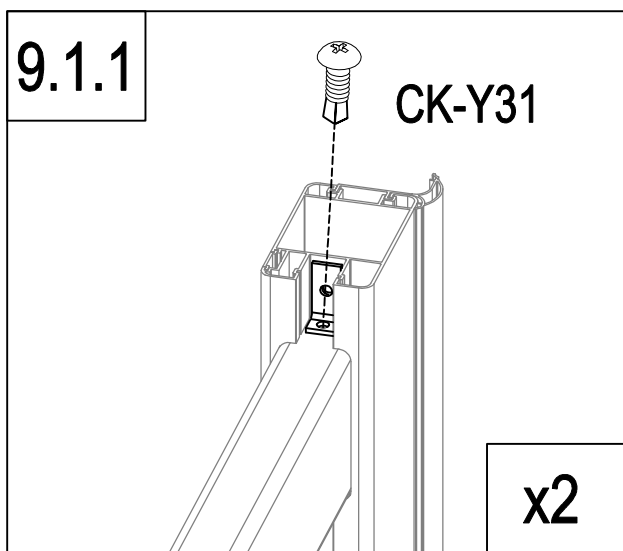
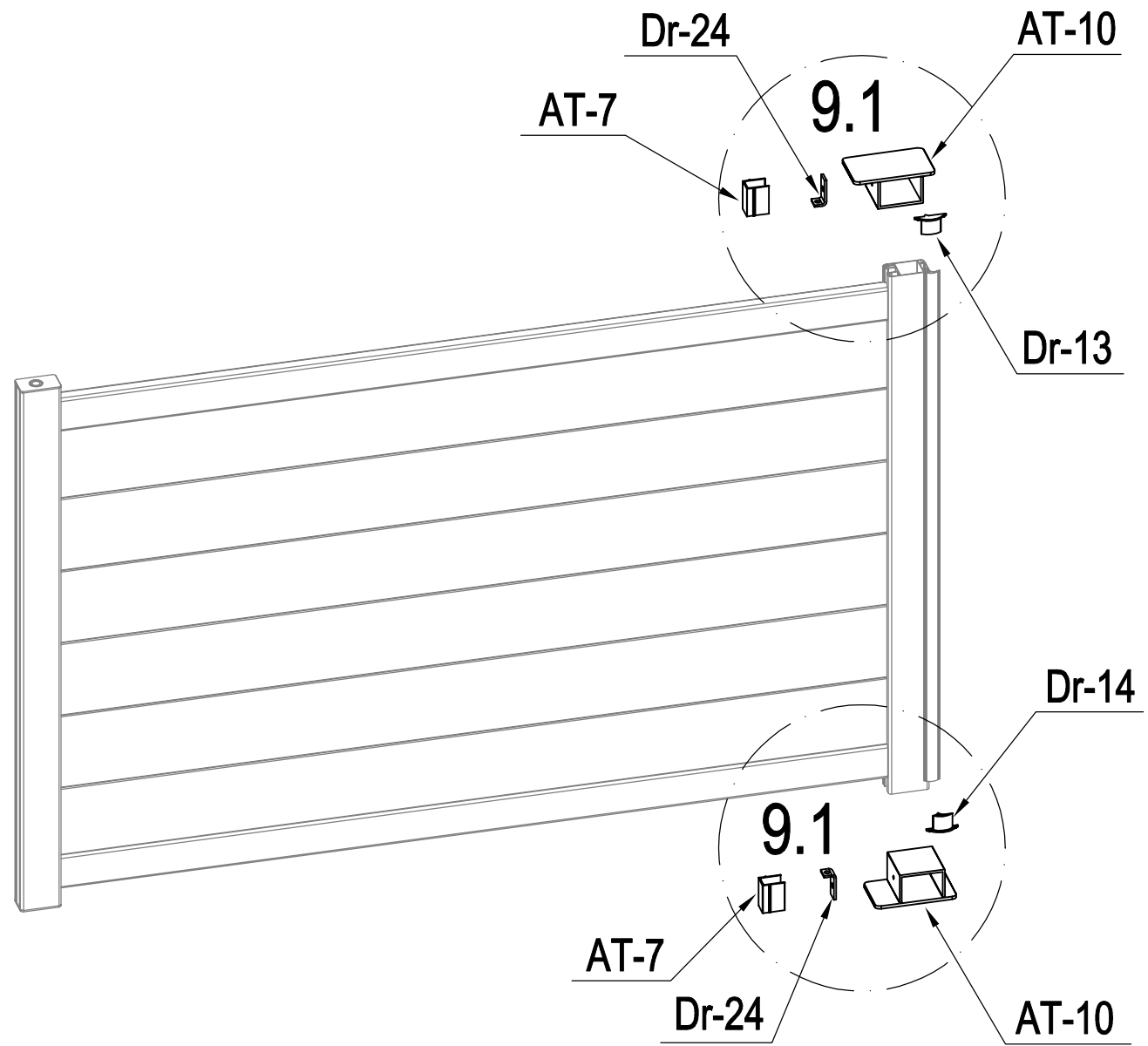


	CK-C5	1
	Dr-A5c	1
	CK-B7	1



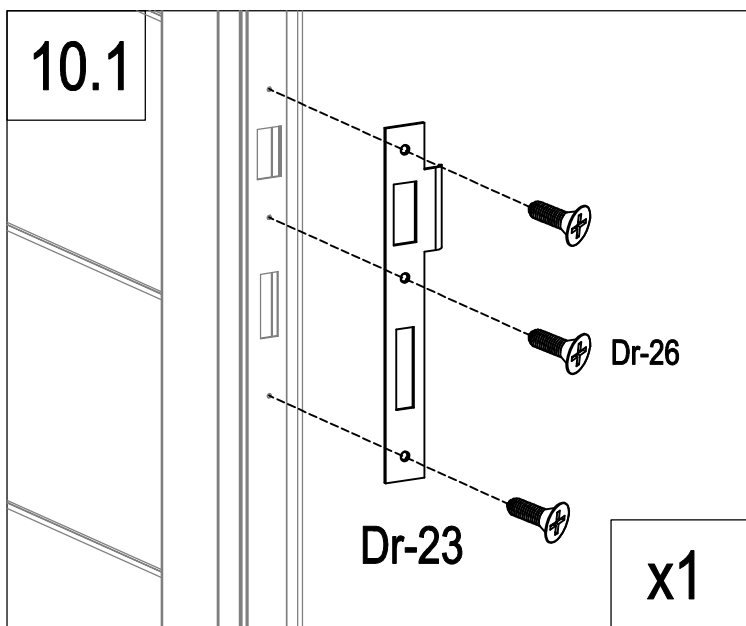
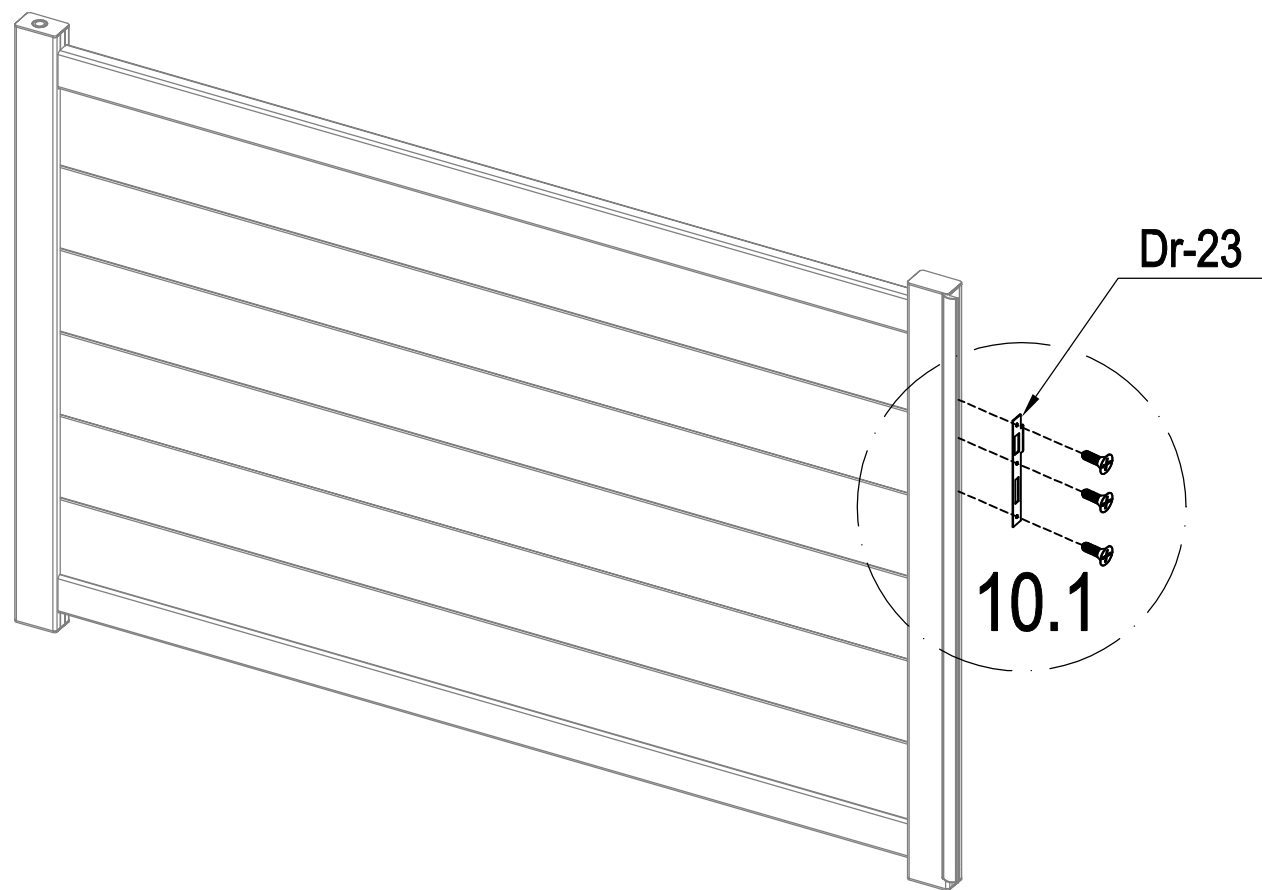
	AT-8	1
	AT-9	1
	Dr-24	2

	AT-7	2
	CK-Y30	2
	CK-Y31	2

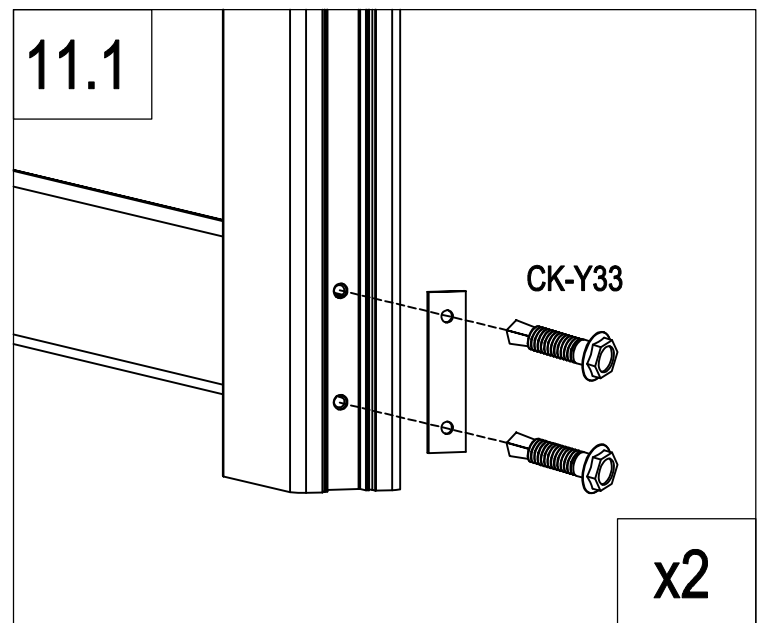
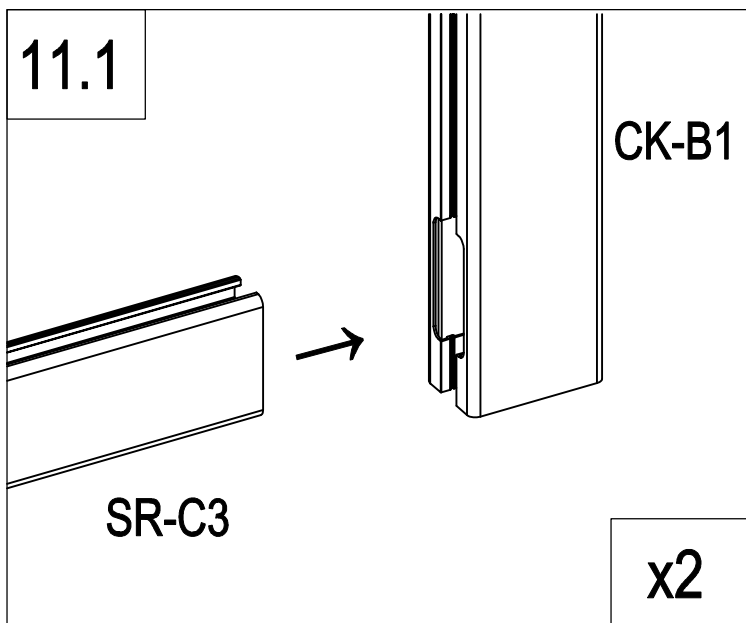
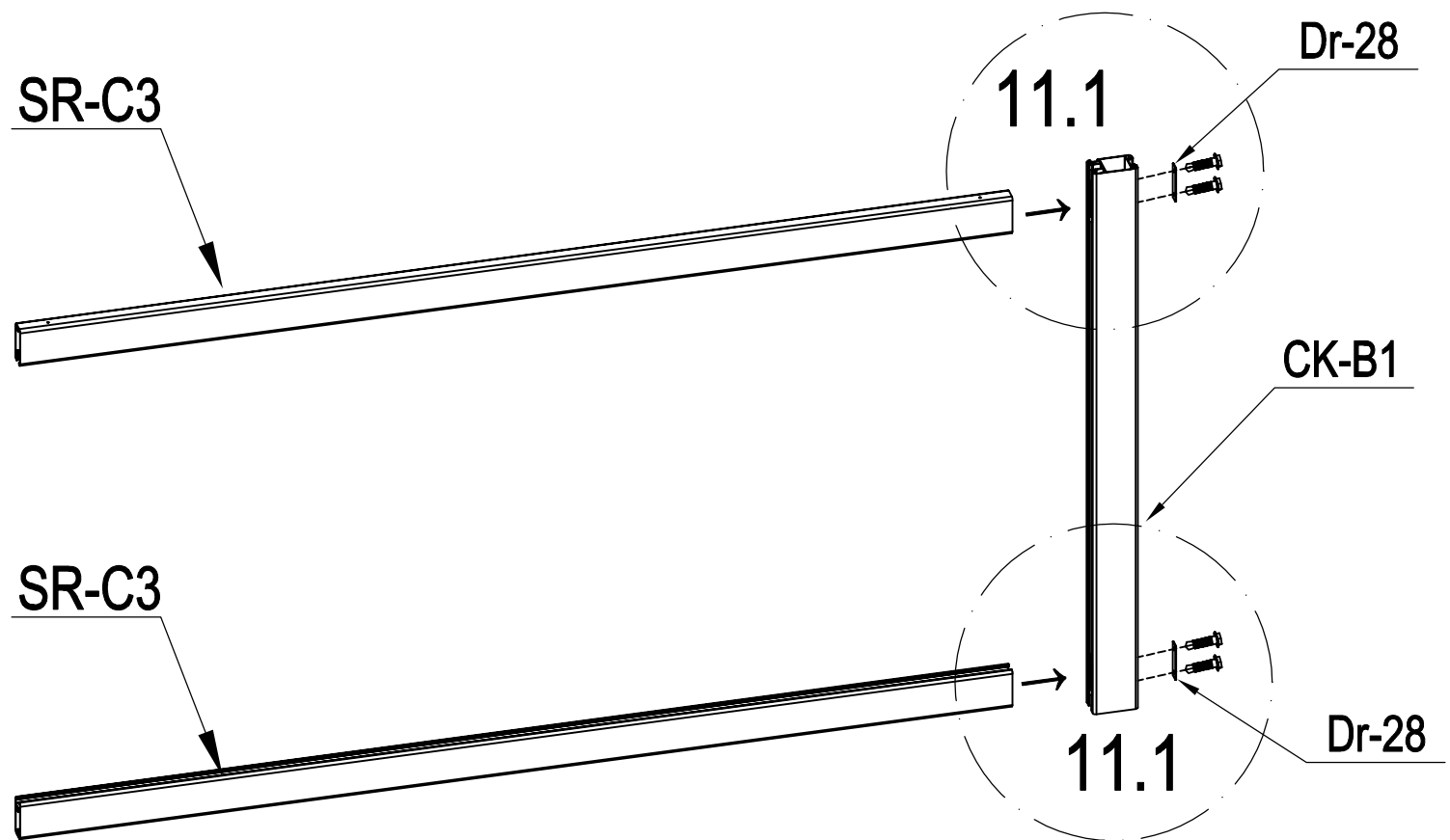


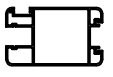
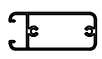


	AT-10	2
	Dr-24	2
	AT-7	2
	Dr-13	1

	Dr-14	1
	CK-Y30	2
	CK-Y31	2

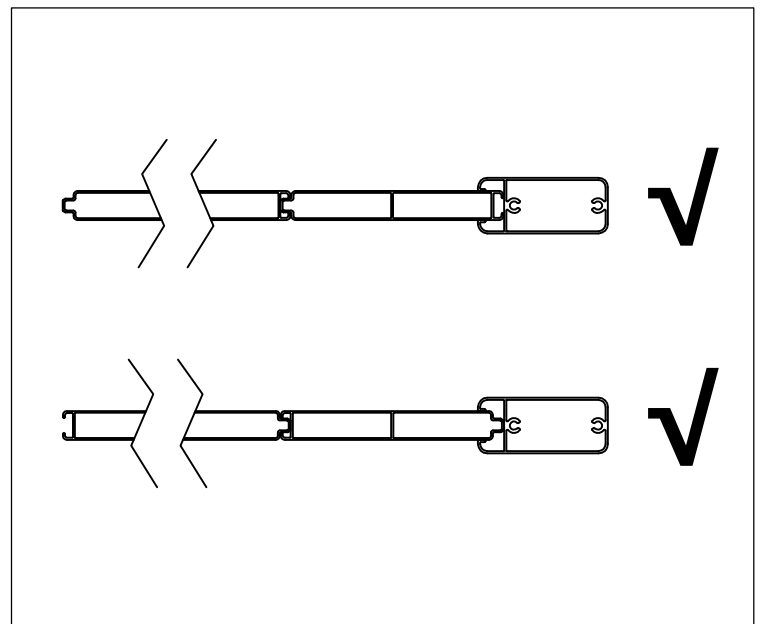
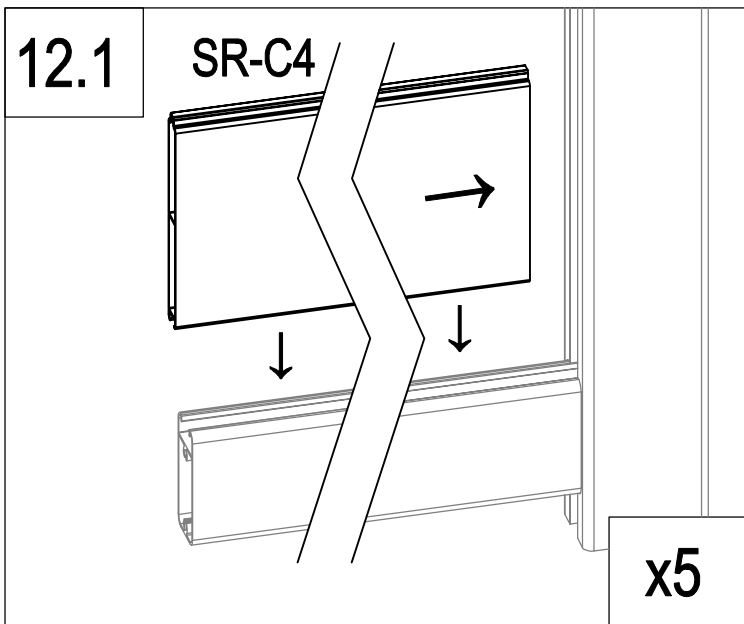
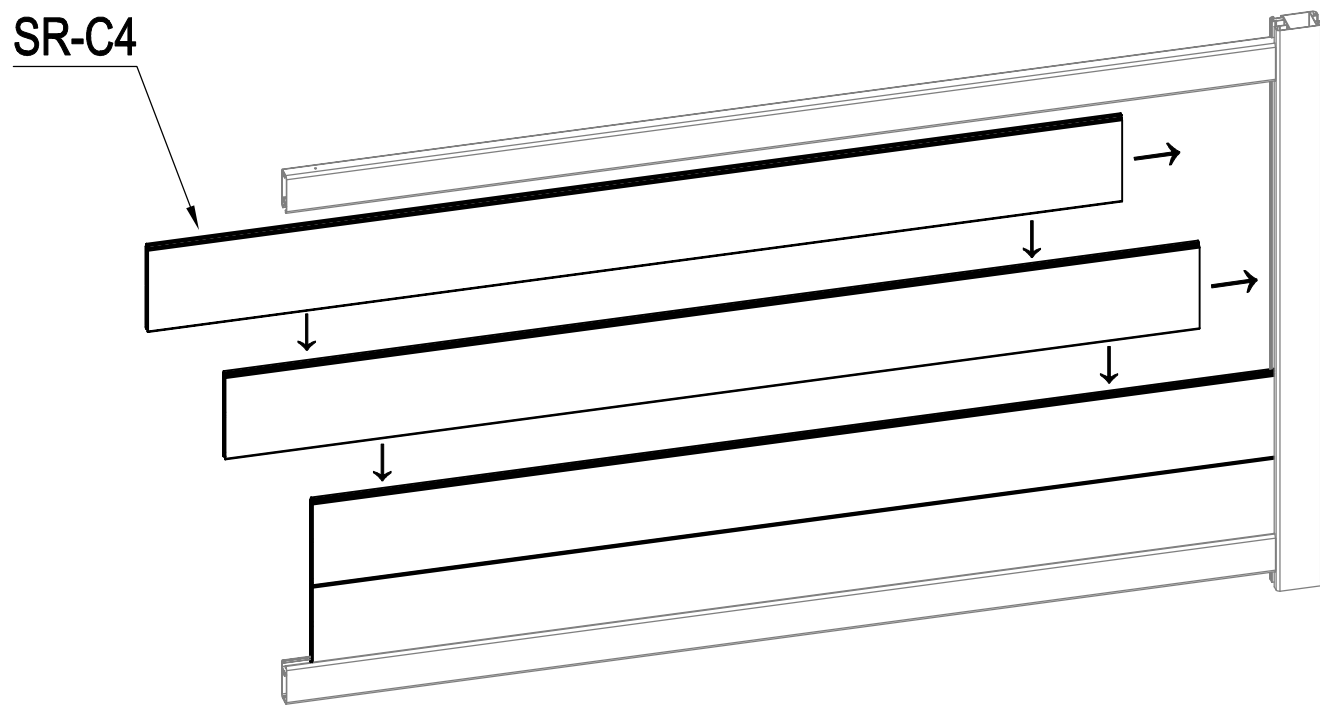


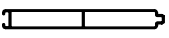
	Dr-23	1
	Dr-26	3

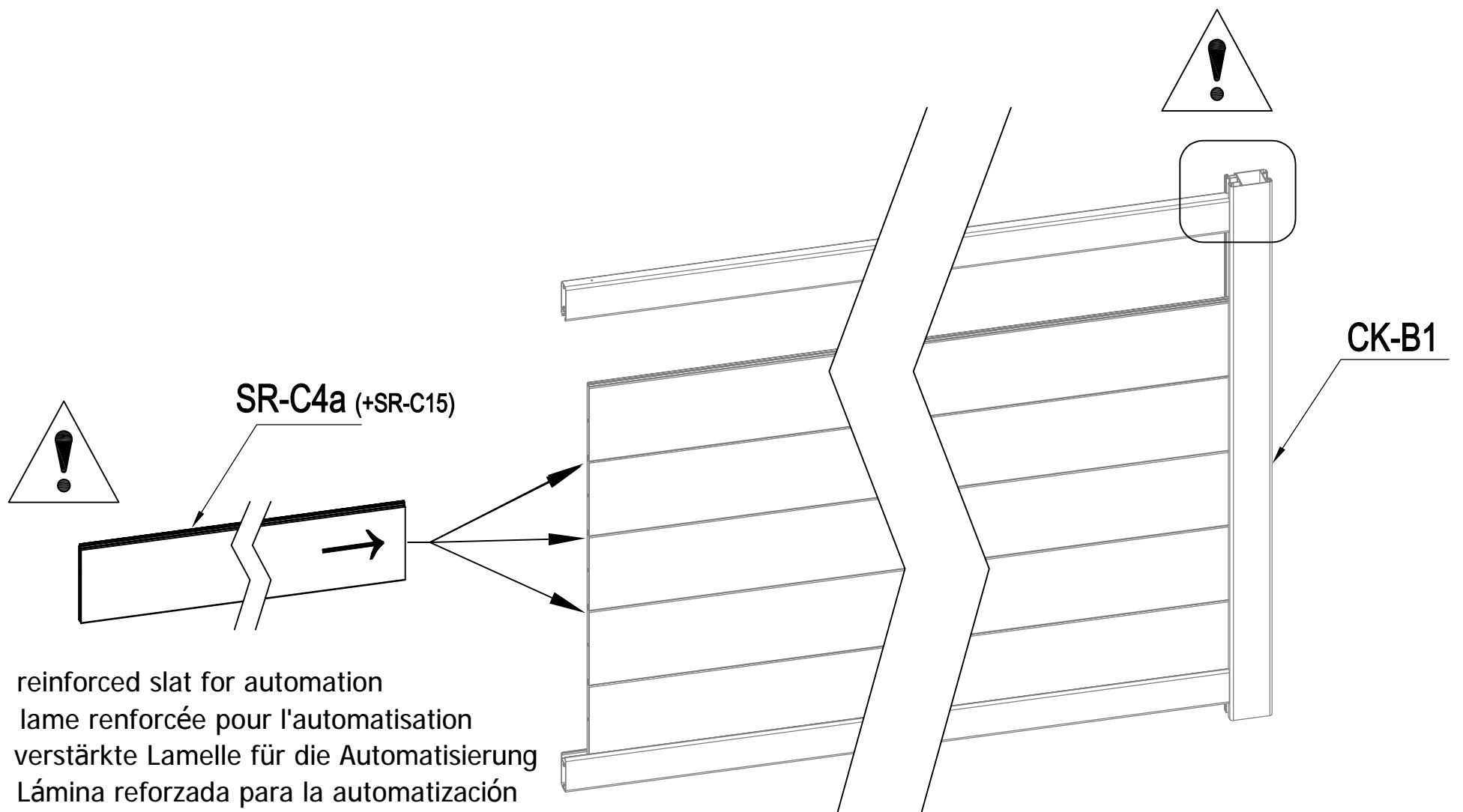


	CK-B1	1
	SR-C3	2
	Dr-28	2
	CK-Y33	4

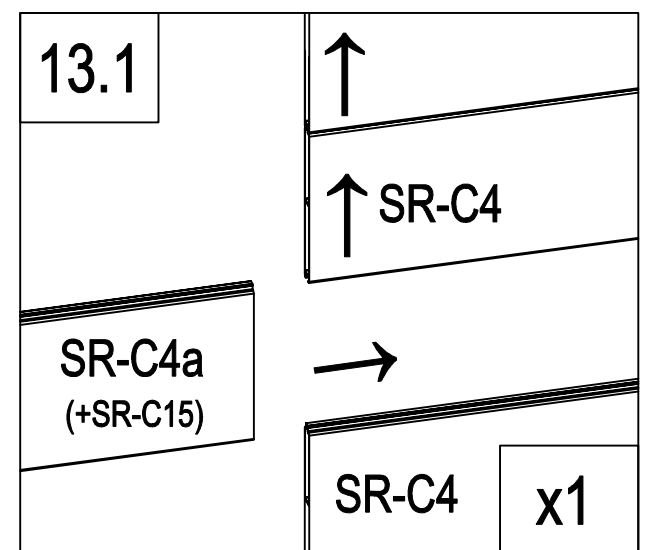
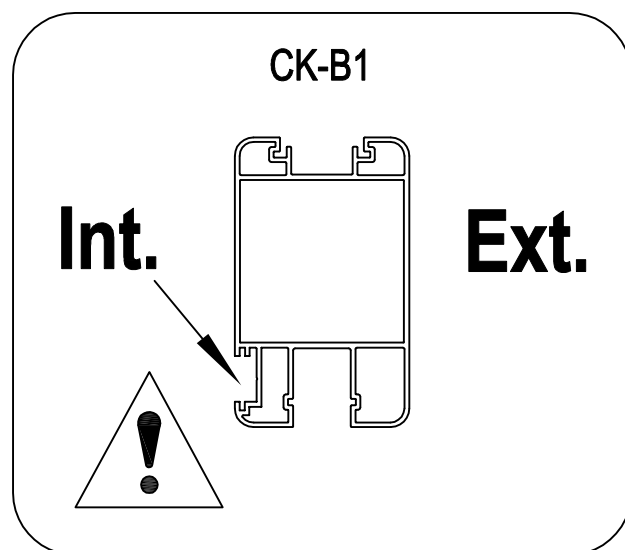
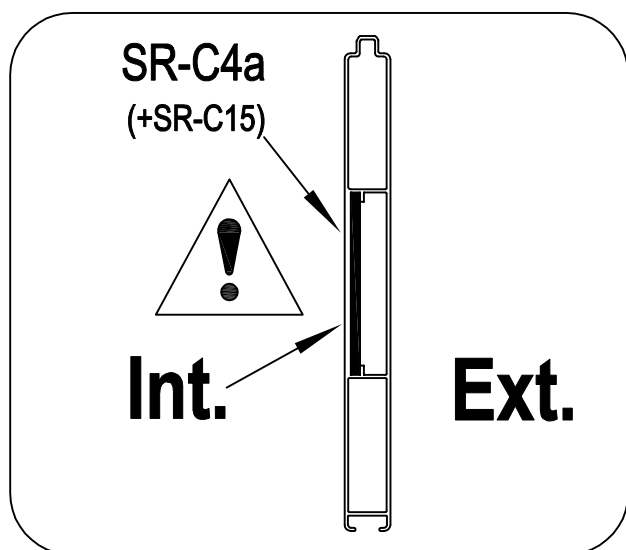





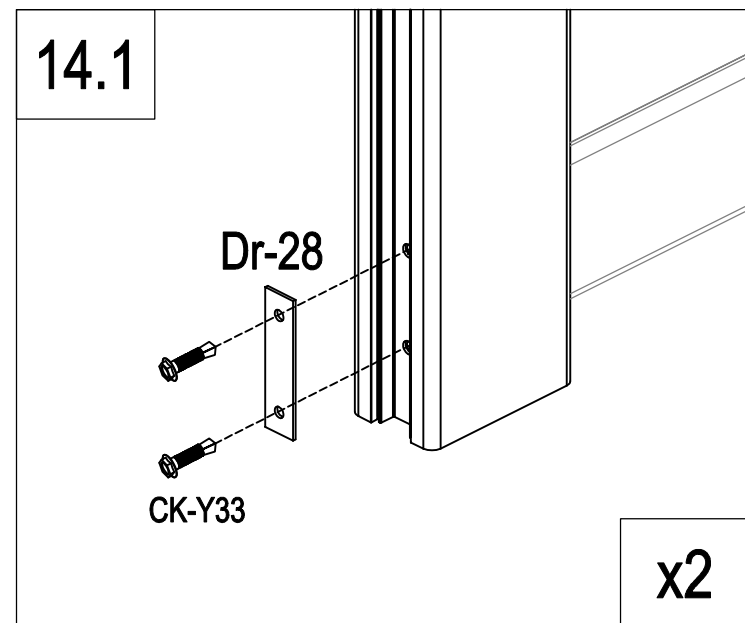
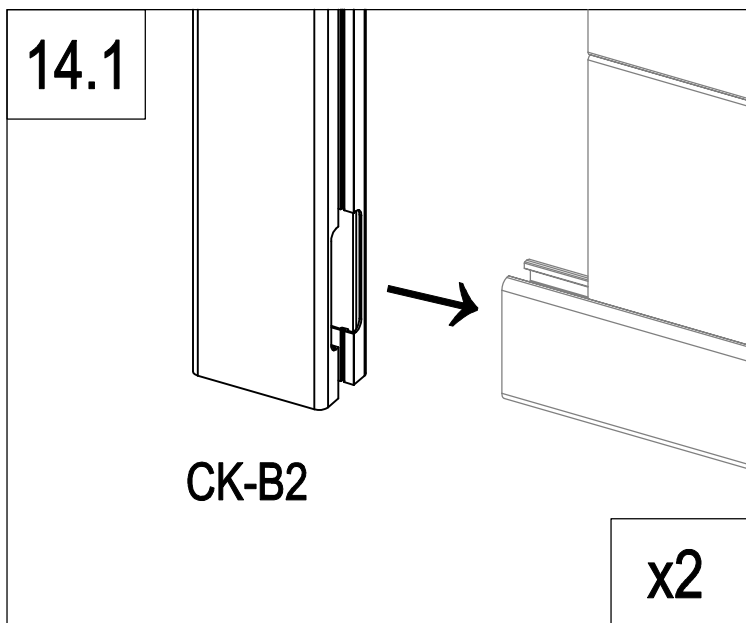
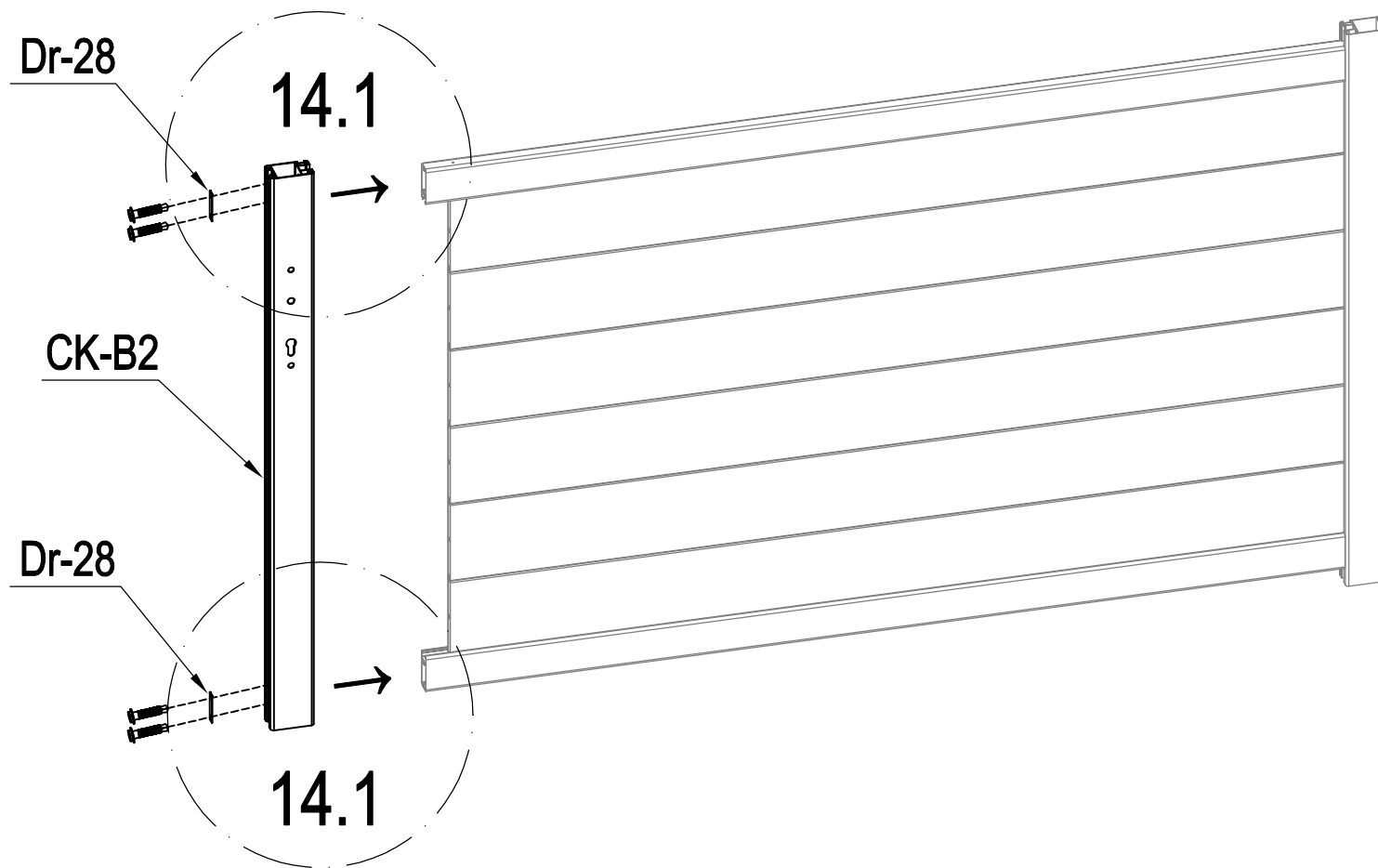
	SR-C4	5
---	-------	---

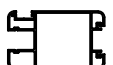




- EN: reinforced slat for automation  
 FR: lame renforcée pour l'automatisation  
 DE: verstärkte Lamelle für die Automatisierung  
 ES: Lámina reforzada para la automatización  
 PT: ripa reforçada para automatização  
 IT: lamella rinforzata per l'automazione  
 NL: versterkte lat voor automatisering  
 PL: wzmocniona listwa do automatyzacji

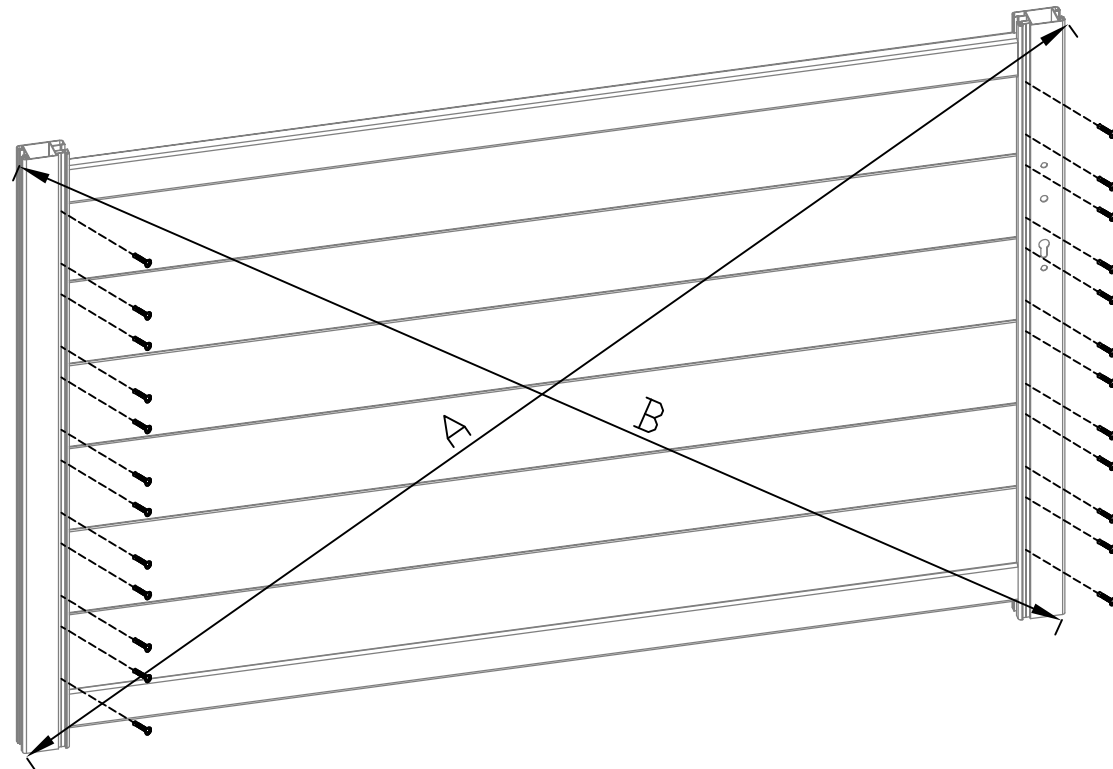


	SR-C4a (+SR-C15)	1
---	------------------	---

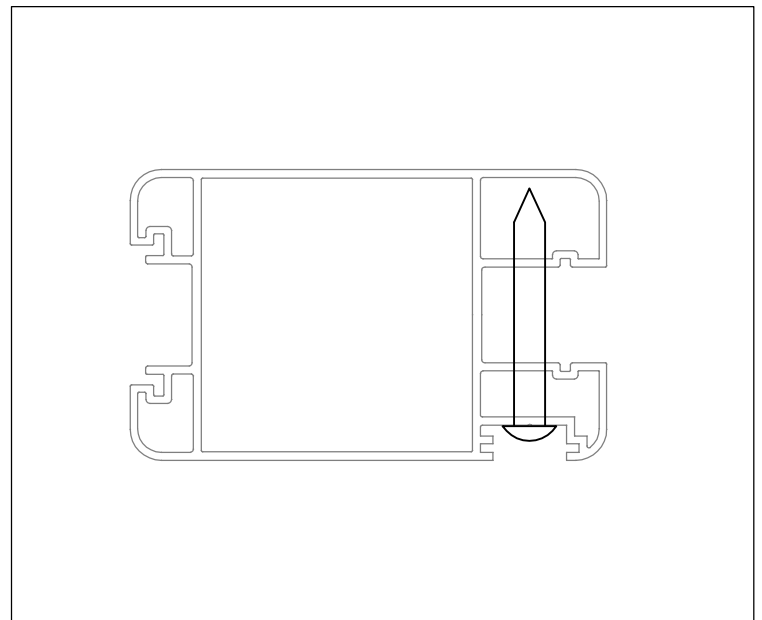
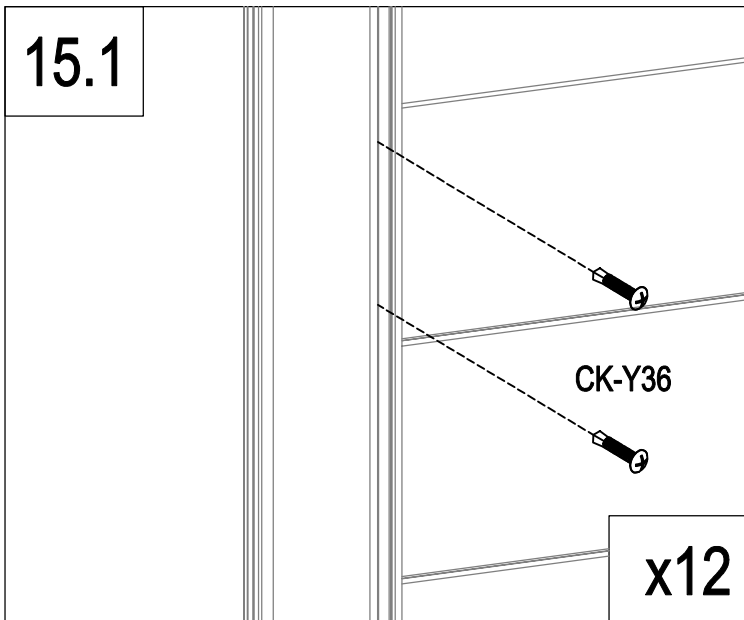


	CK-B2	1
	Dr-28	2
	CK-Y33	4

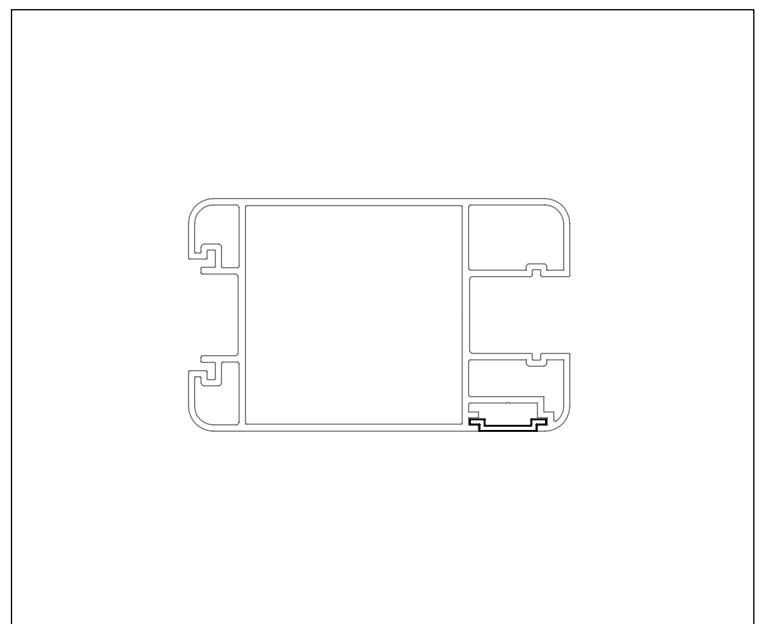
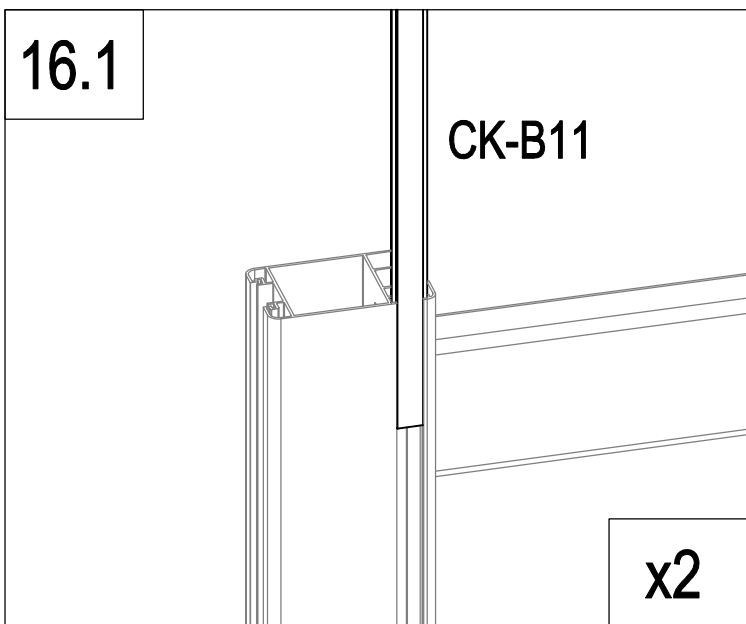
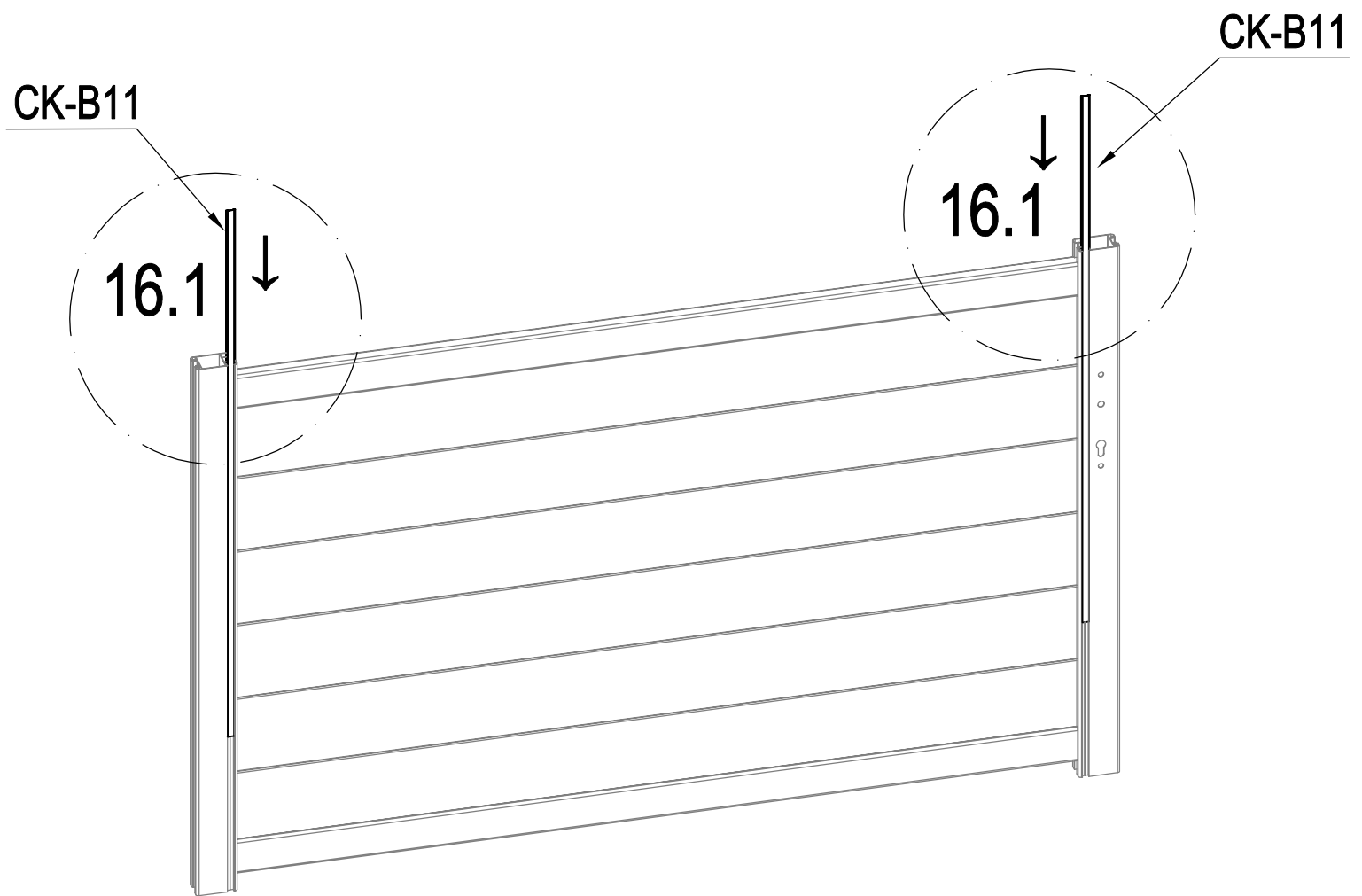
180°



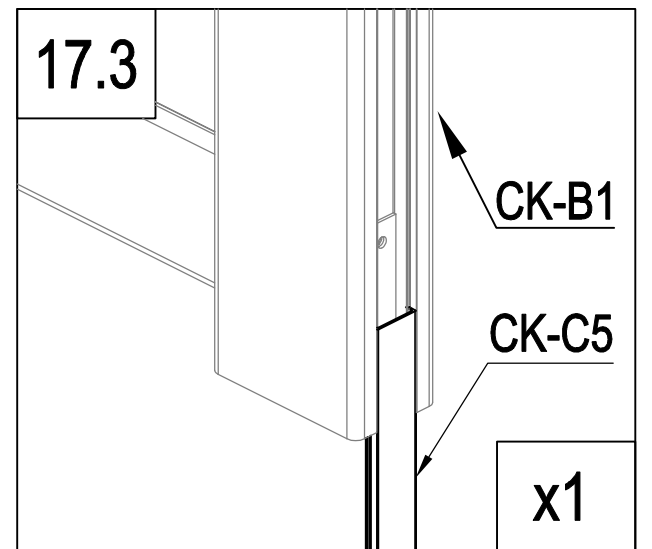
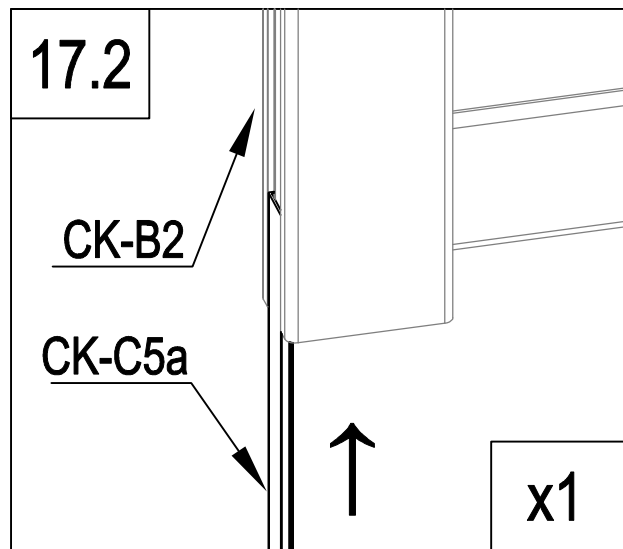
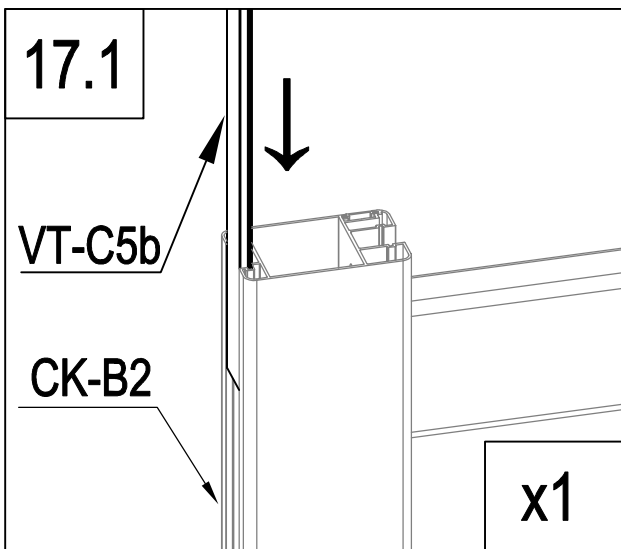
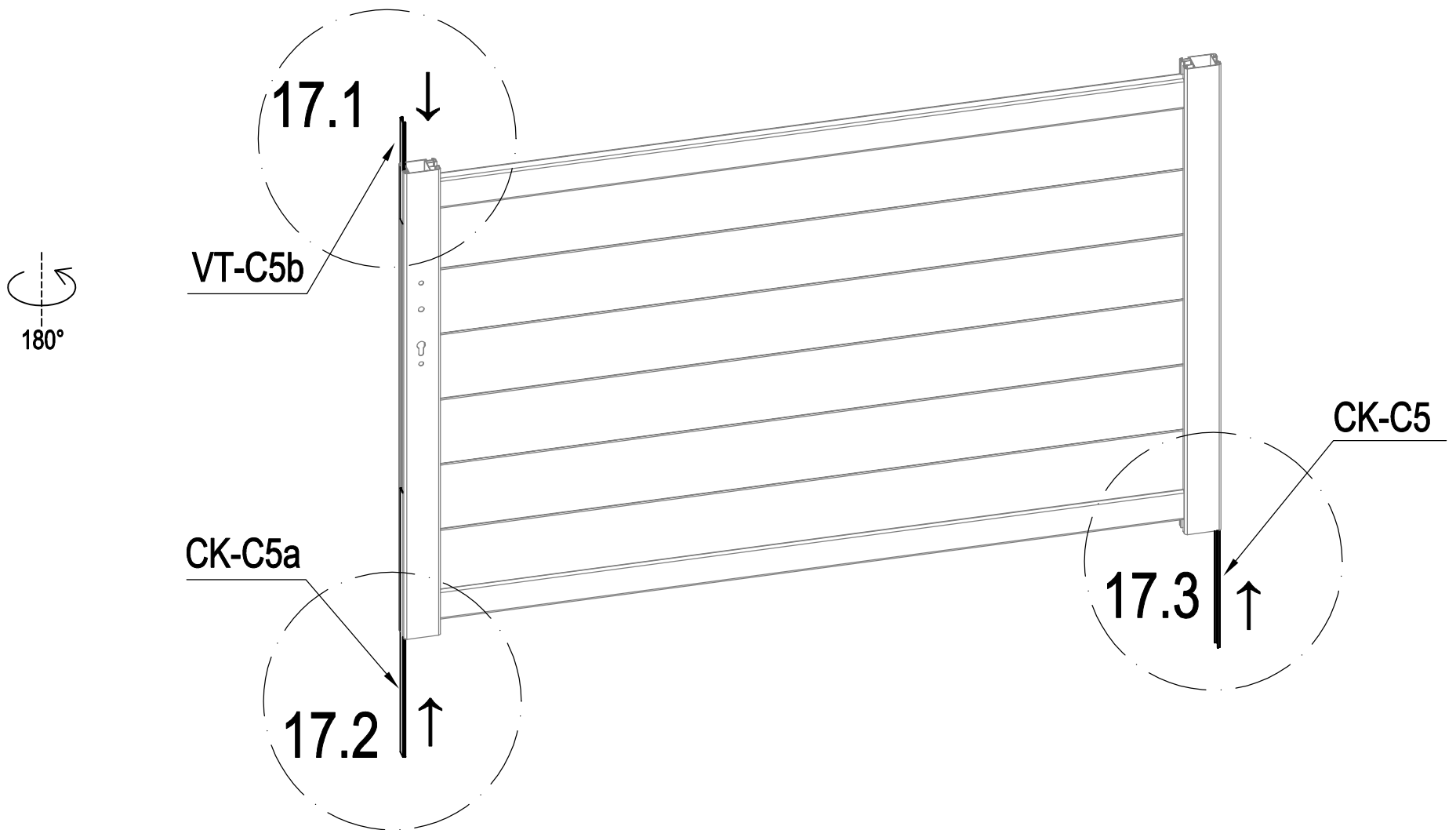
A=B

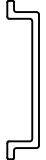


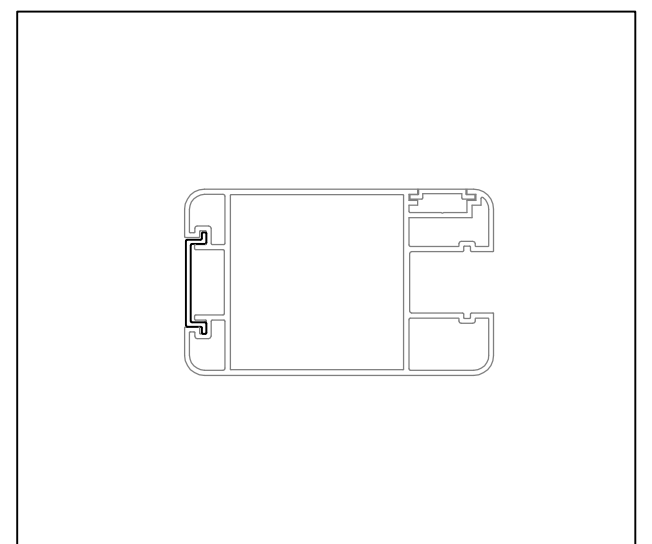
	CK-Y36	24
---	--------	----

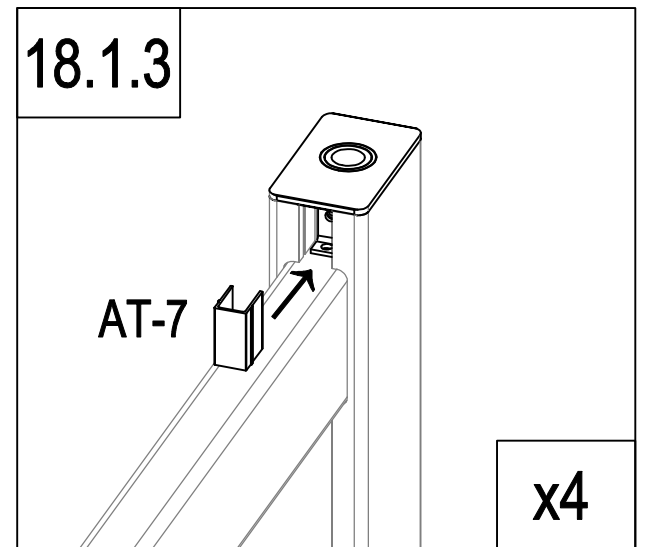
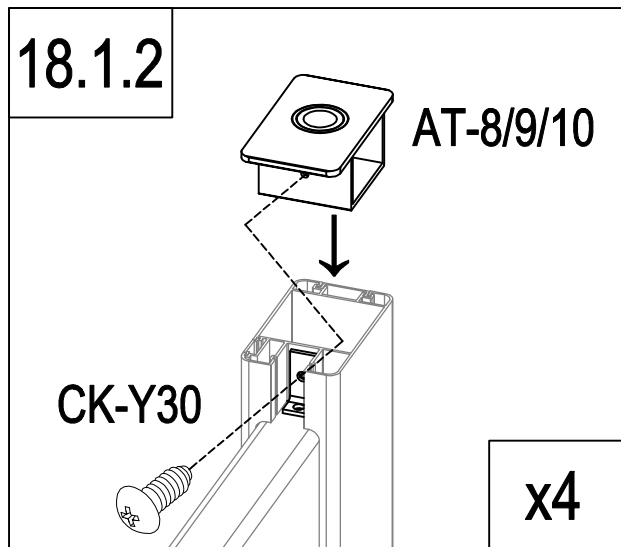
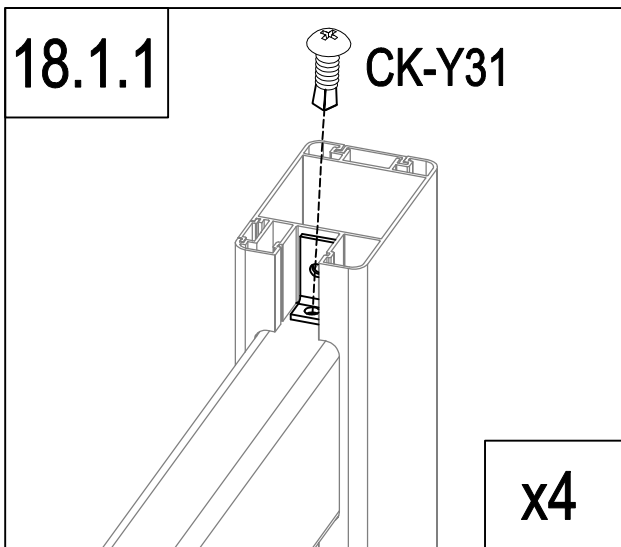
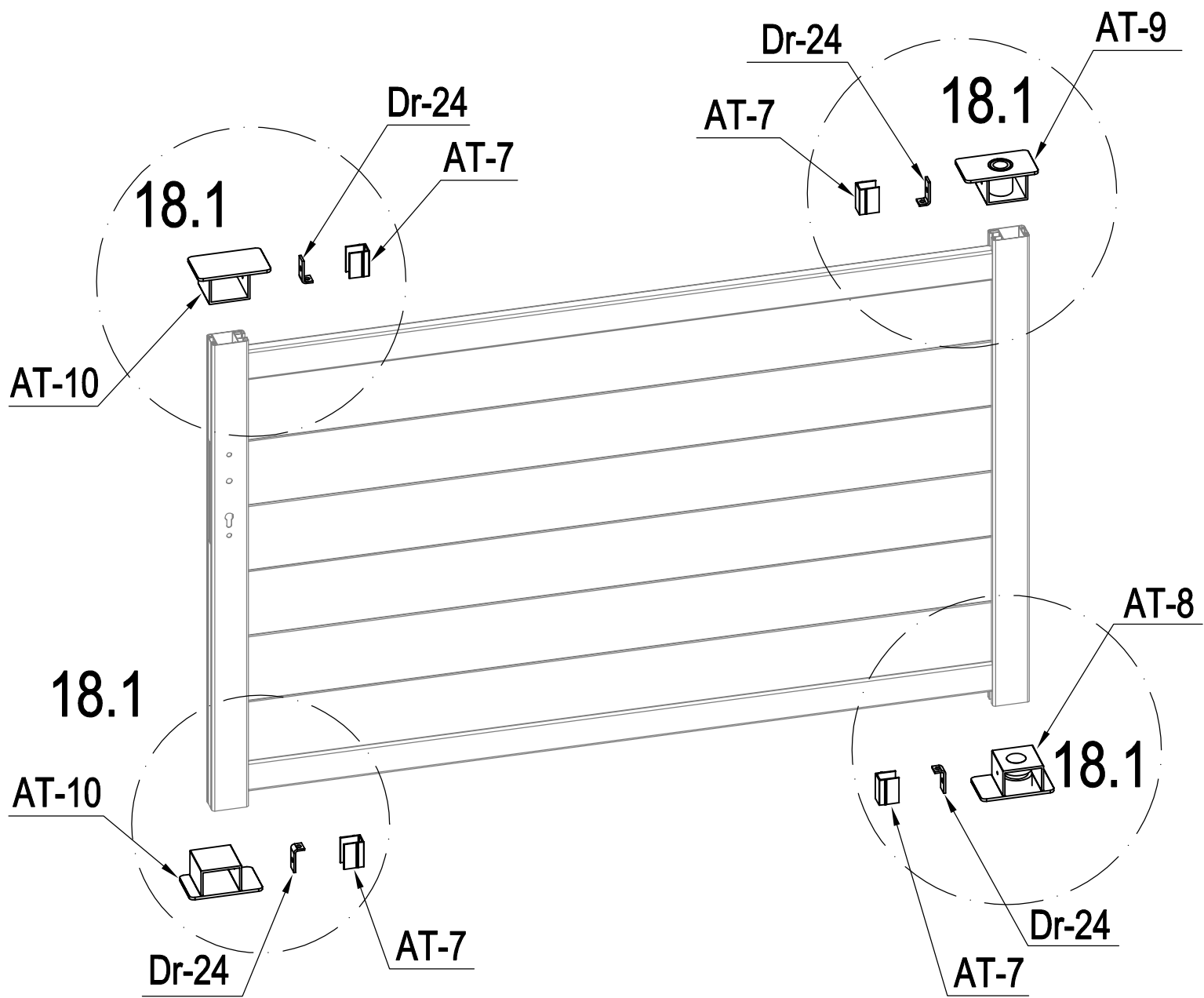


	CK-B11	2
---	--------	---



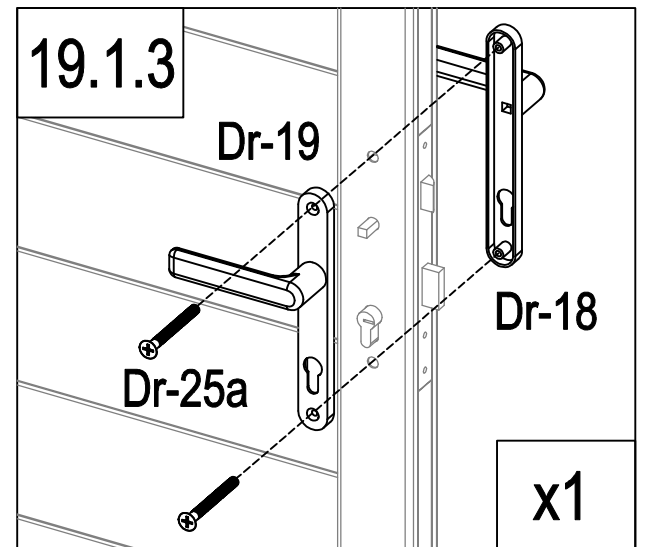
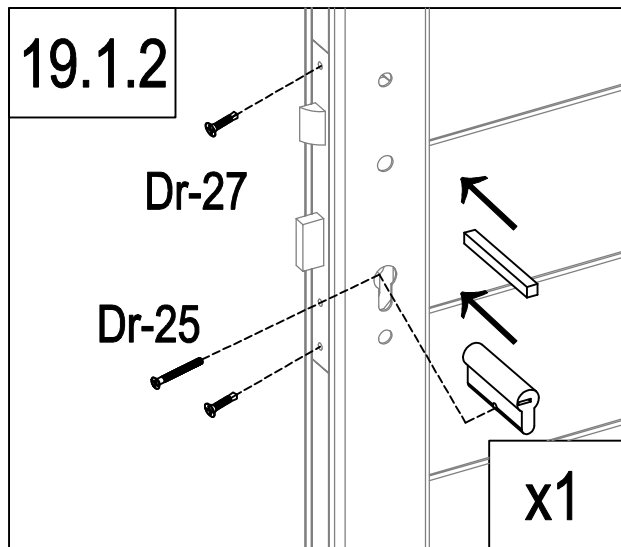
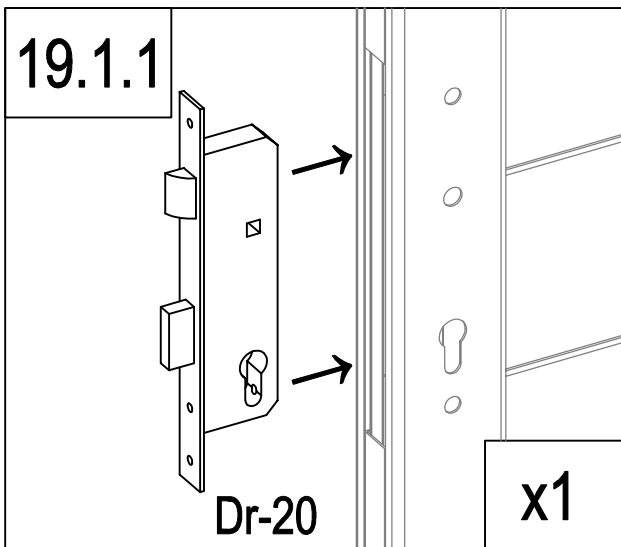
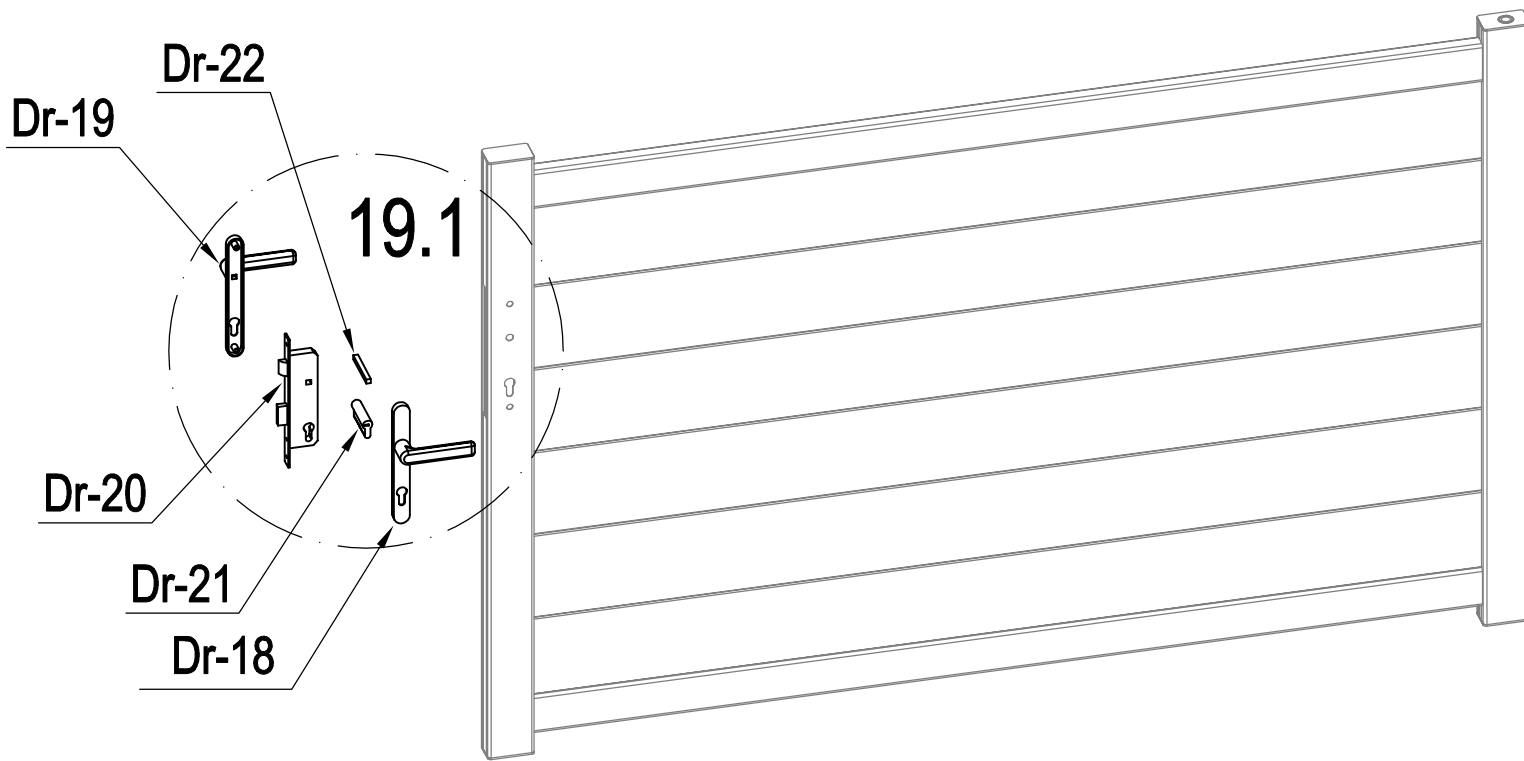
	CK-C5	1
	CK-C5a	1
	VT-C5b	1





	AT-8	1
	AT-9	1
	AT-10	2
	Dr-24	4

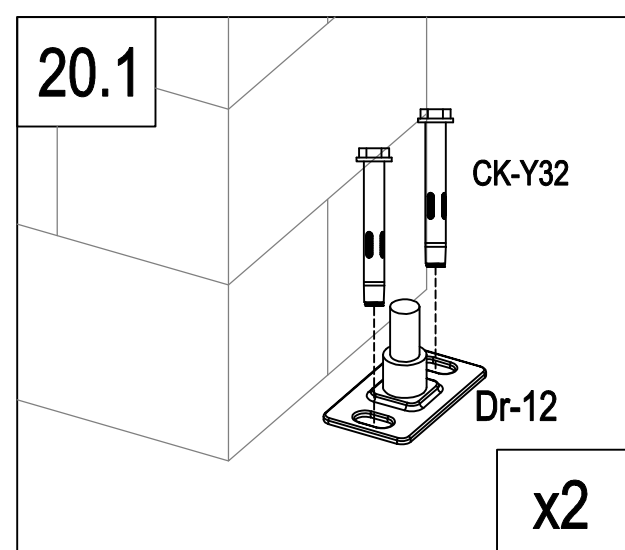
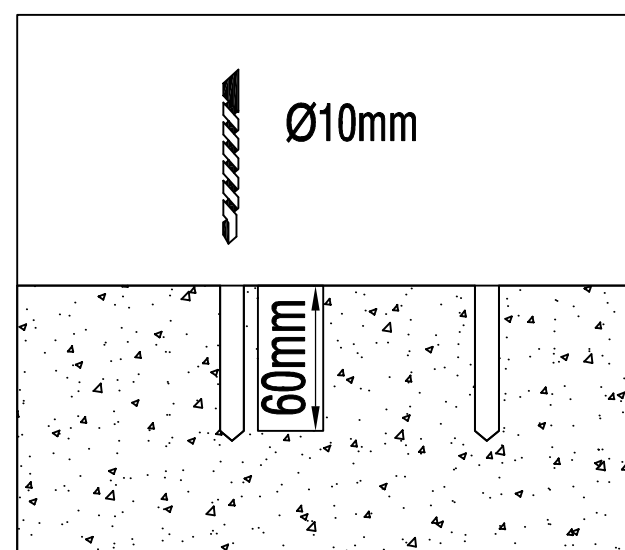
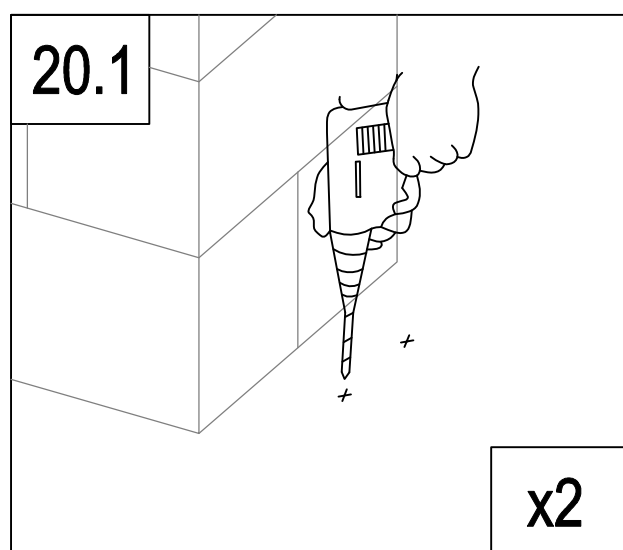
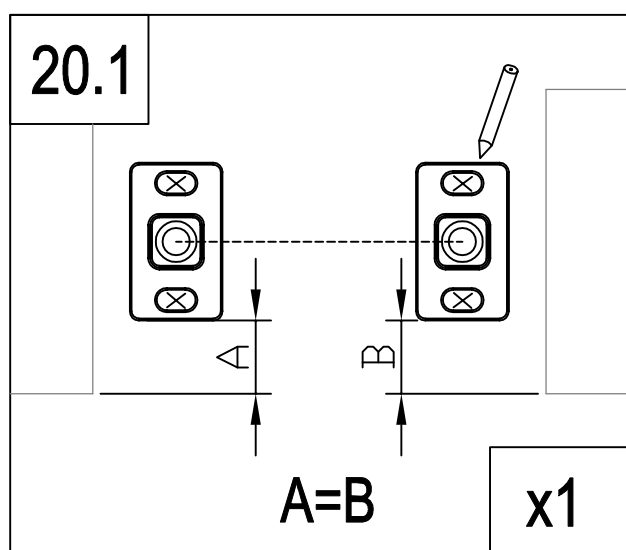
	AT-7	4
	CK-Y30	4
	CK-Y31	4



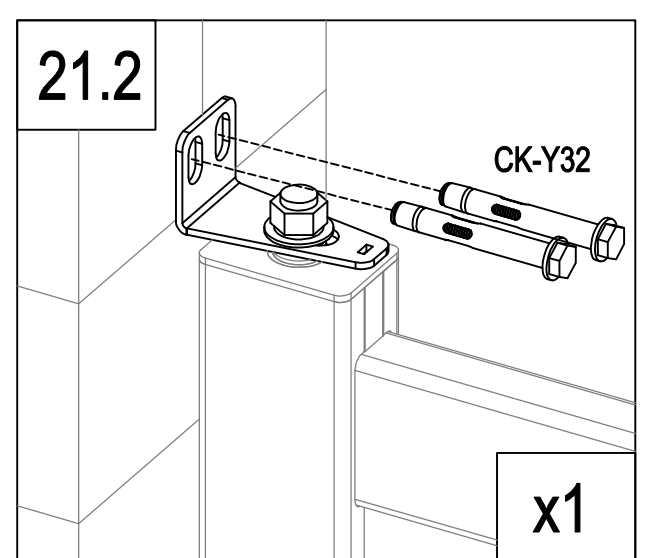
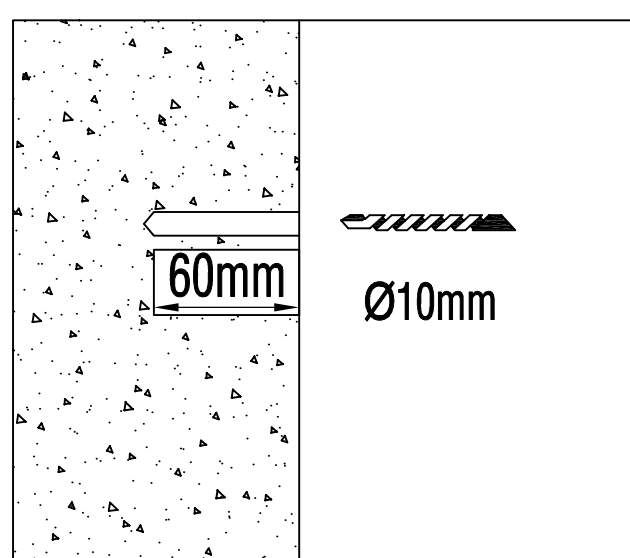
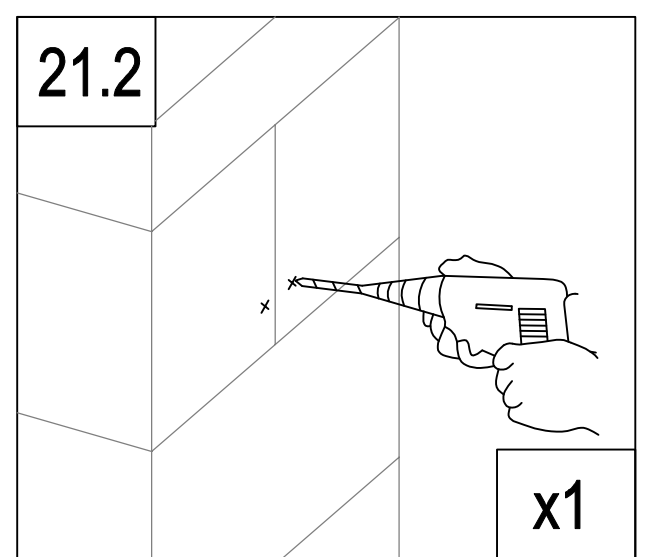
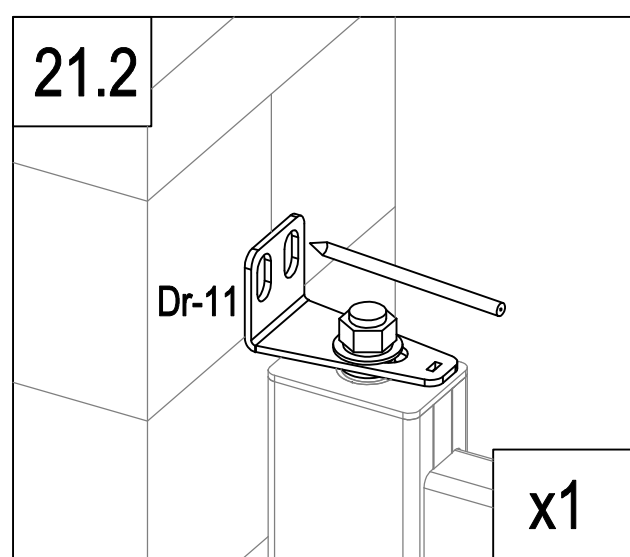
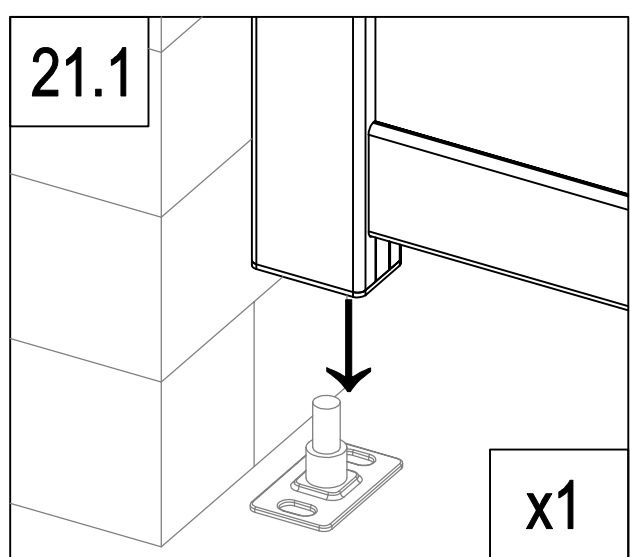
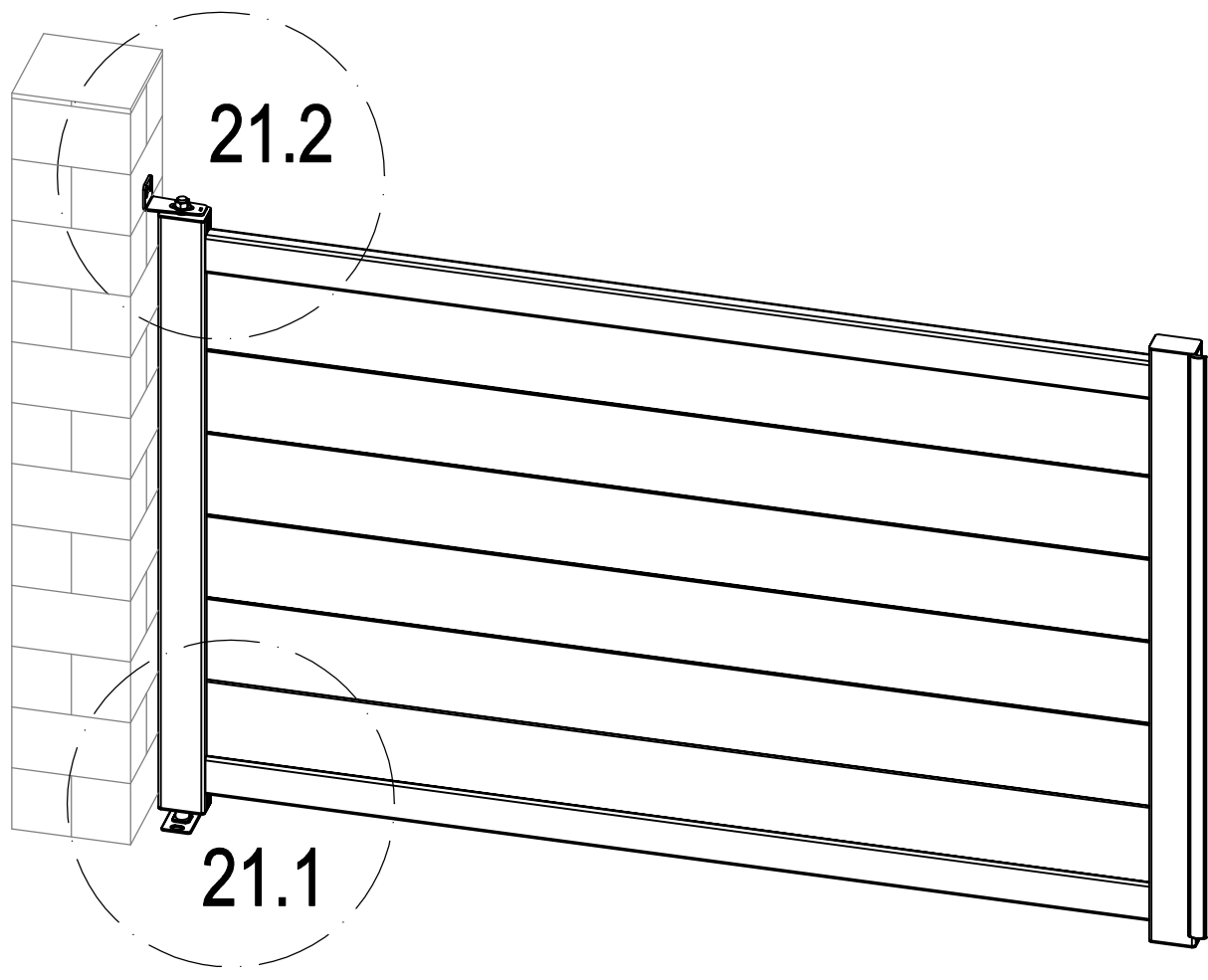
	Dr-20	1
	Dr-21	1
	Dr-22	1
	Dr-25	1

	Dr-18	1
	Dr-19	1
	Dr-25a	2
	Dr-27	2

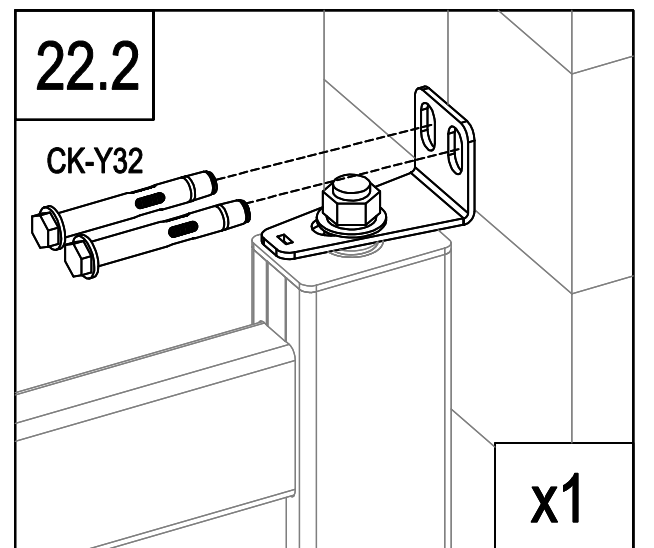
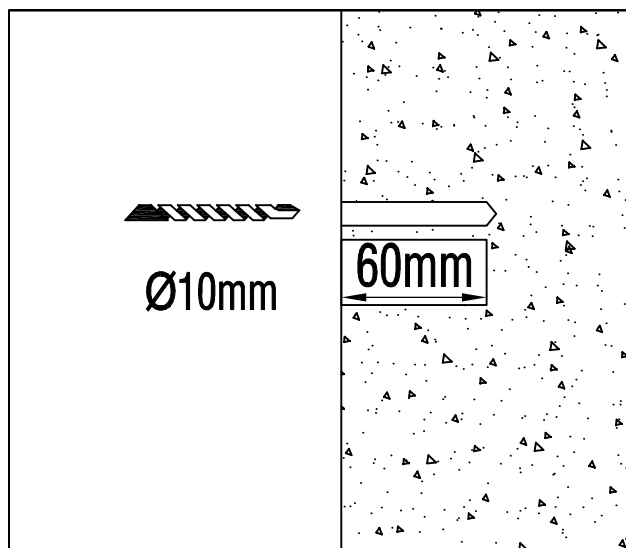
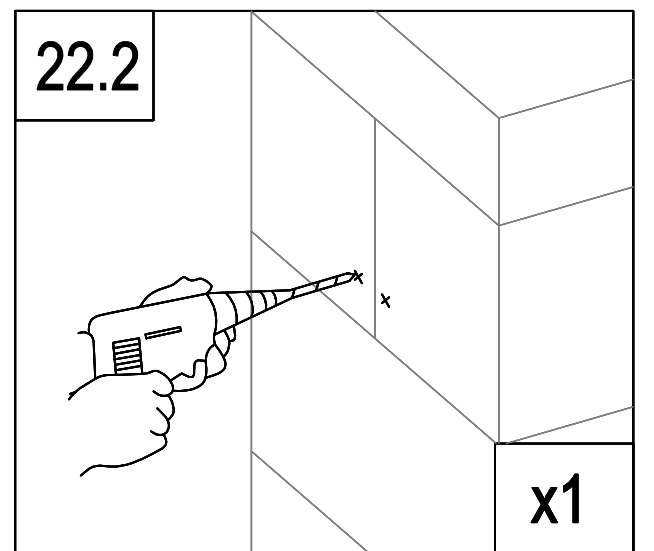
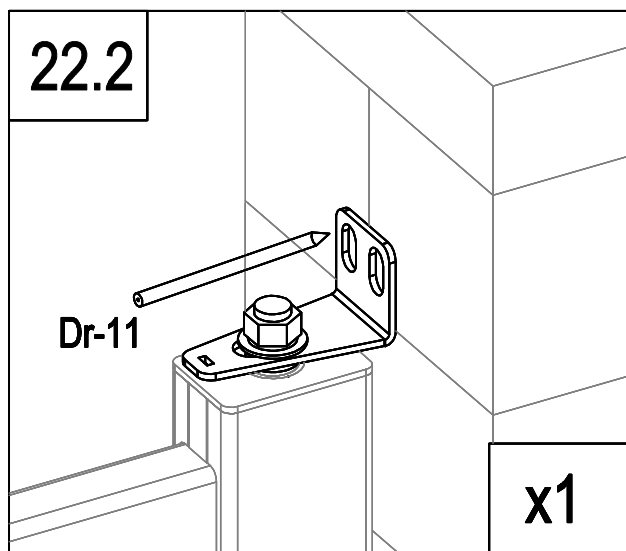
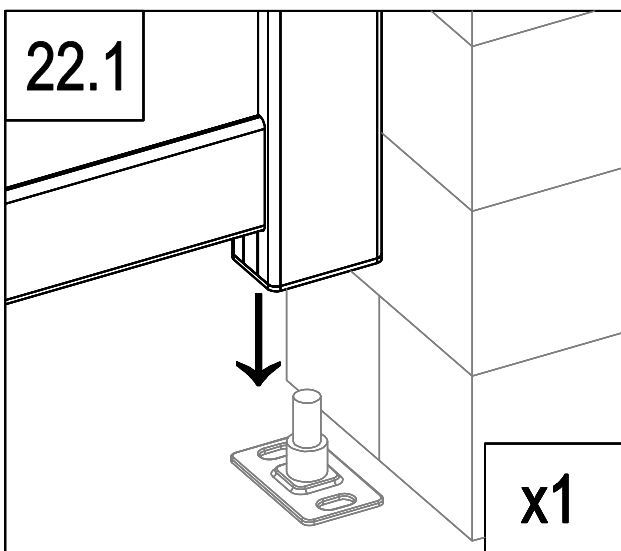
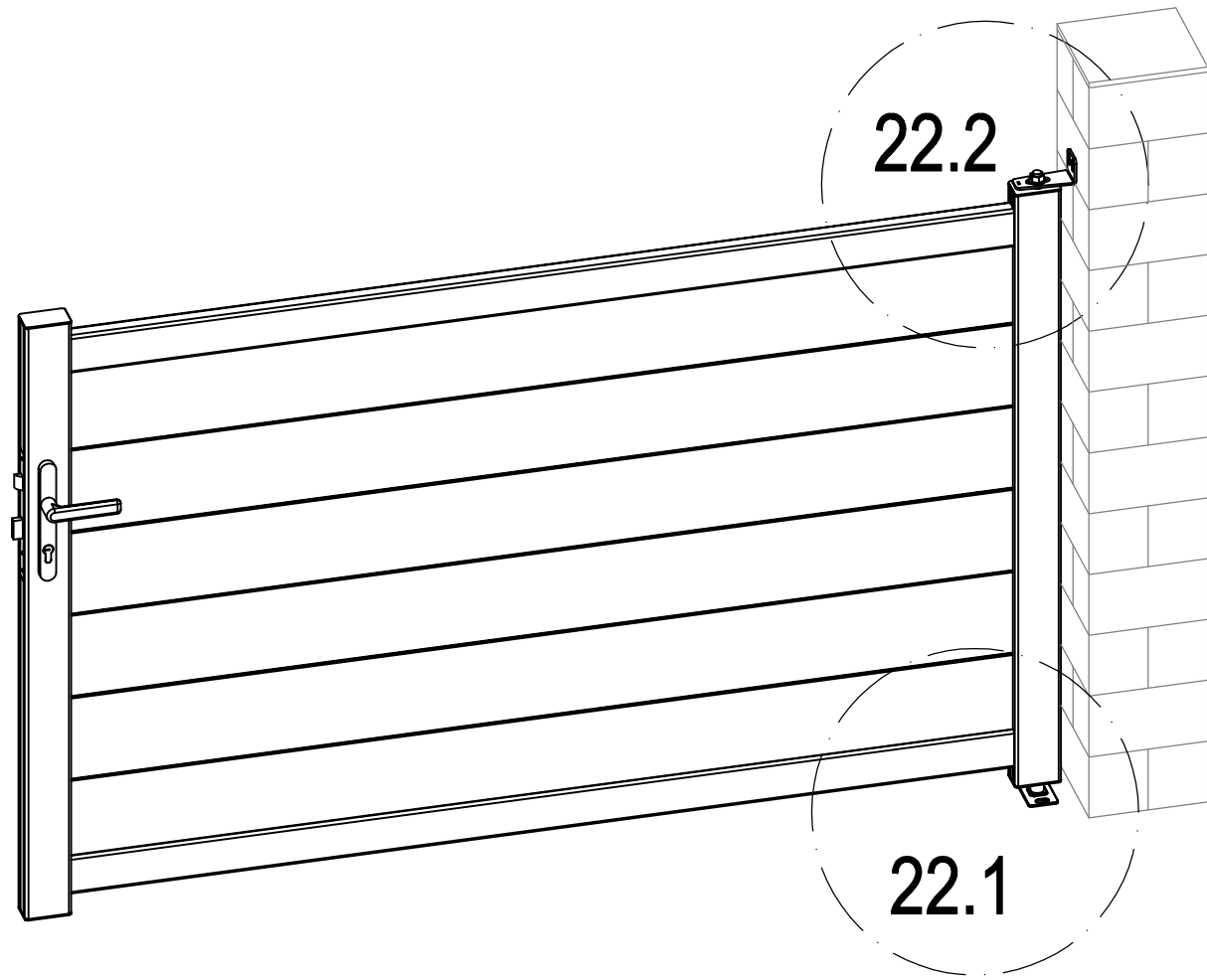


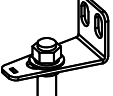



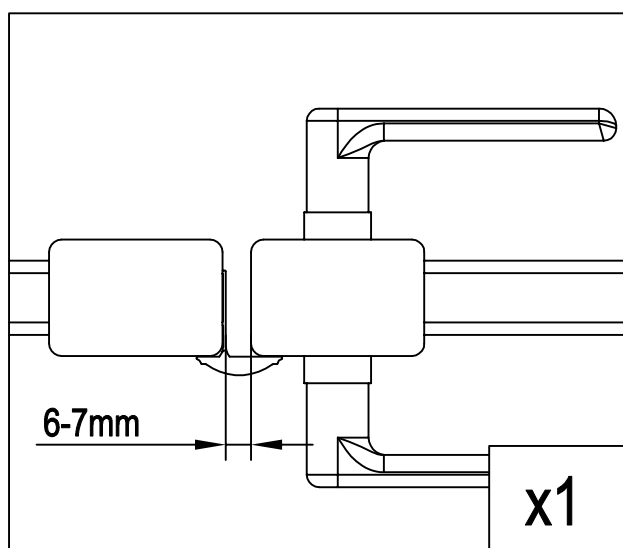
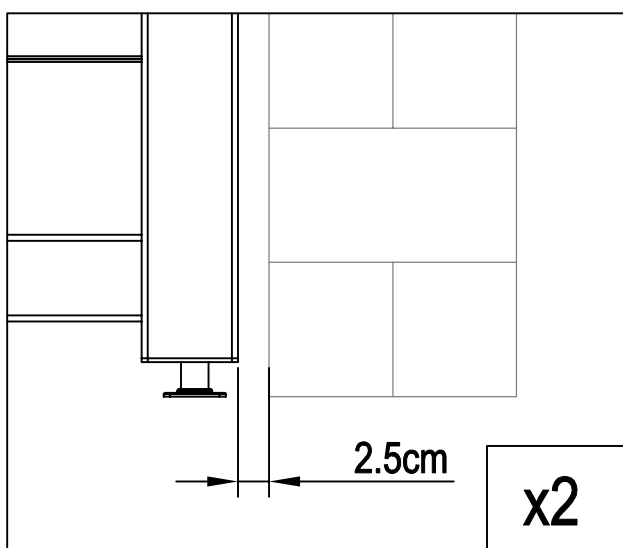
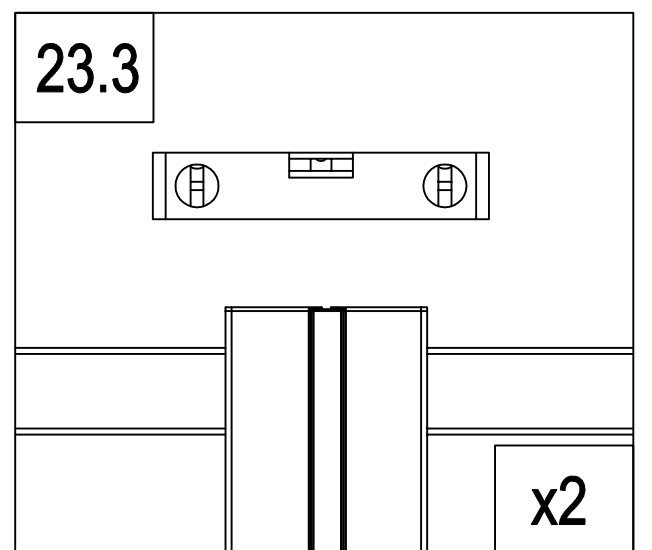
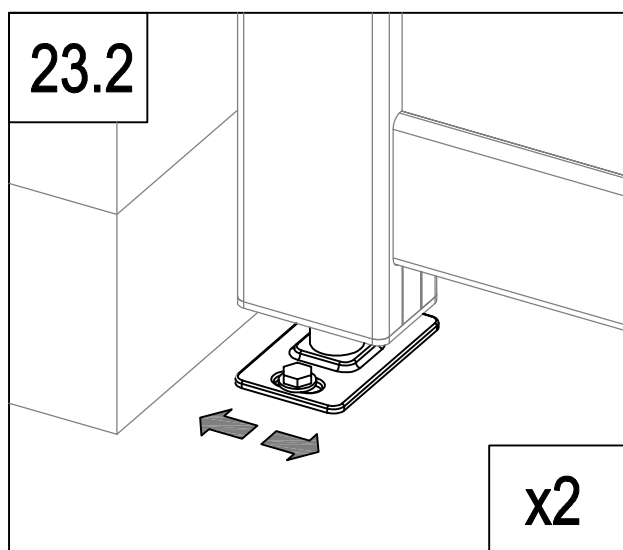
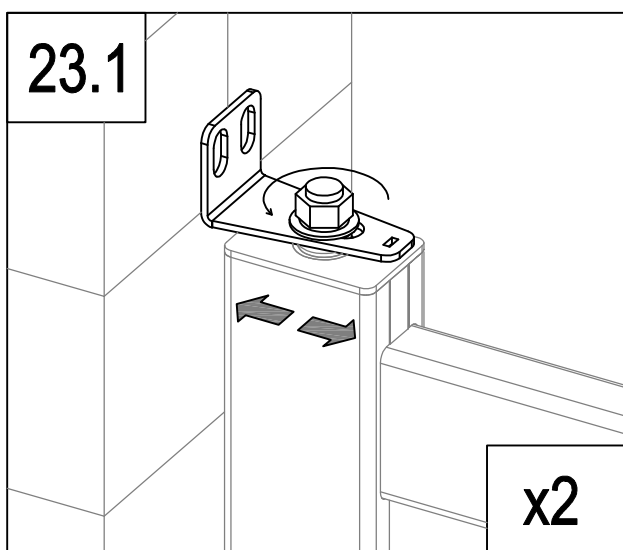
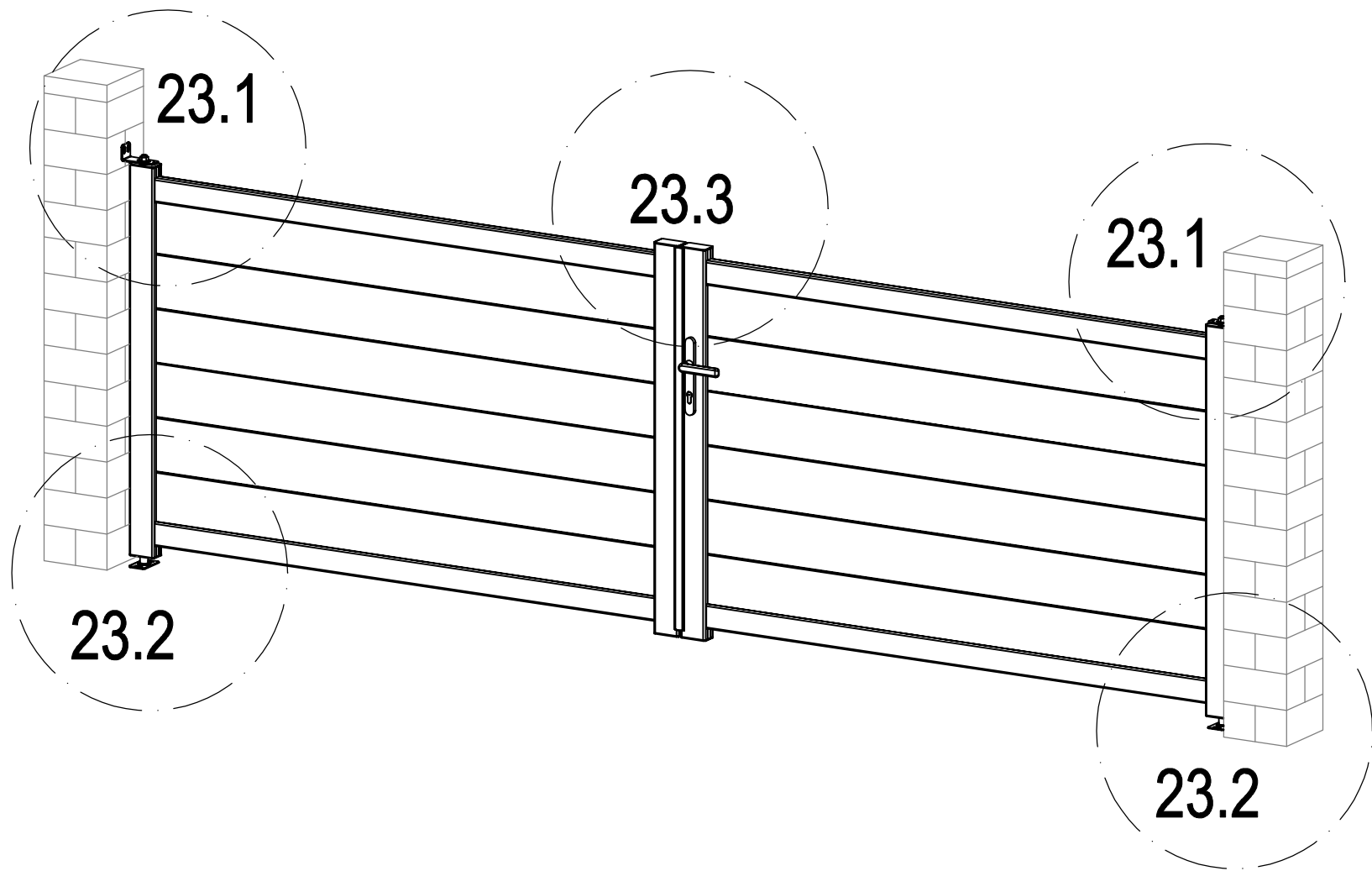
	Dr-12	2
	CK-Y32	4

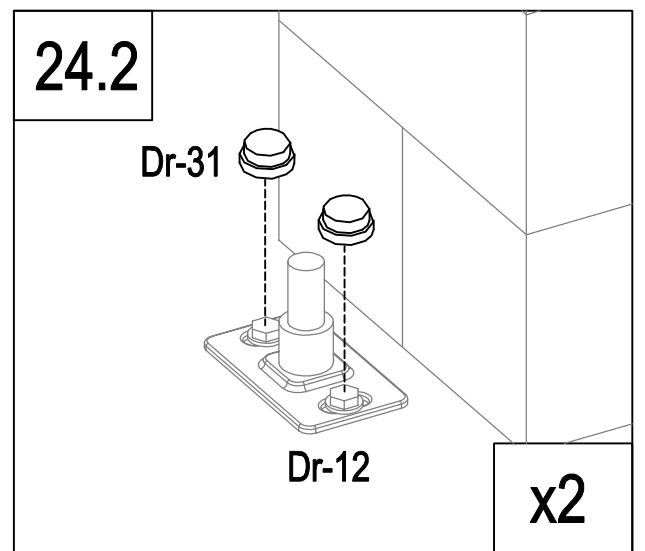
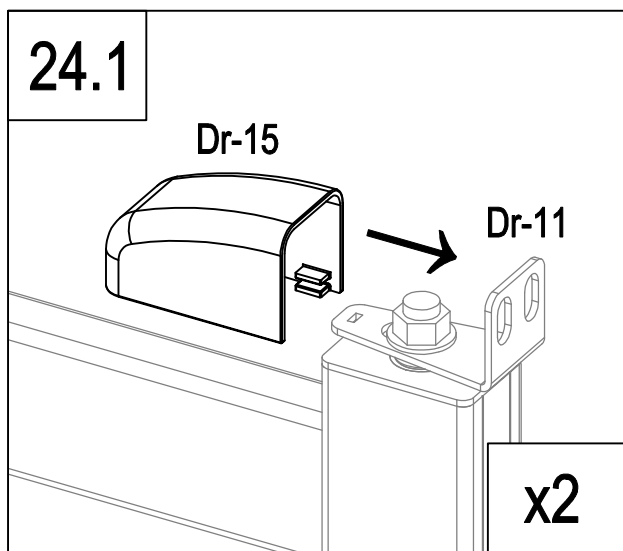
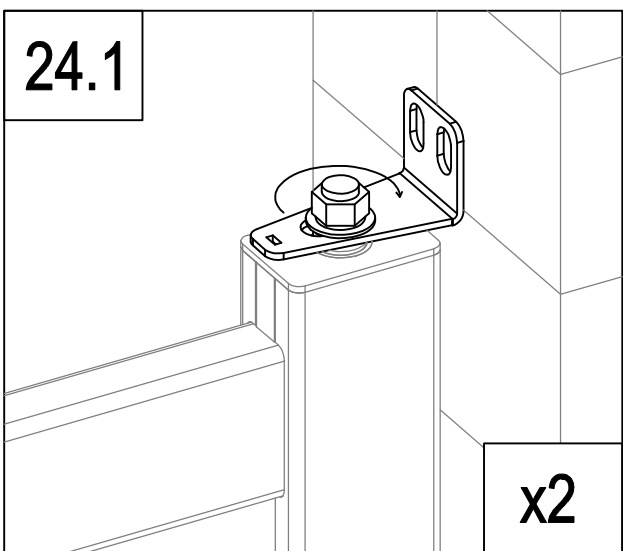
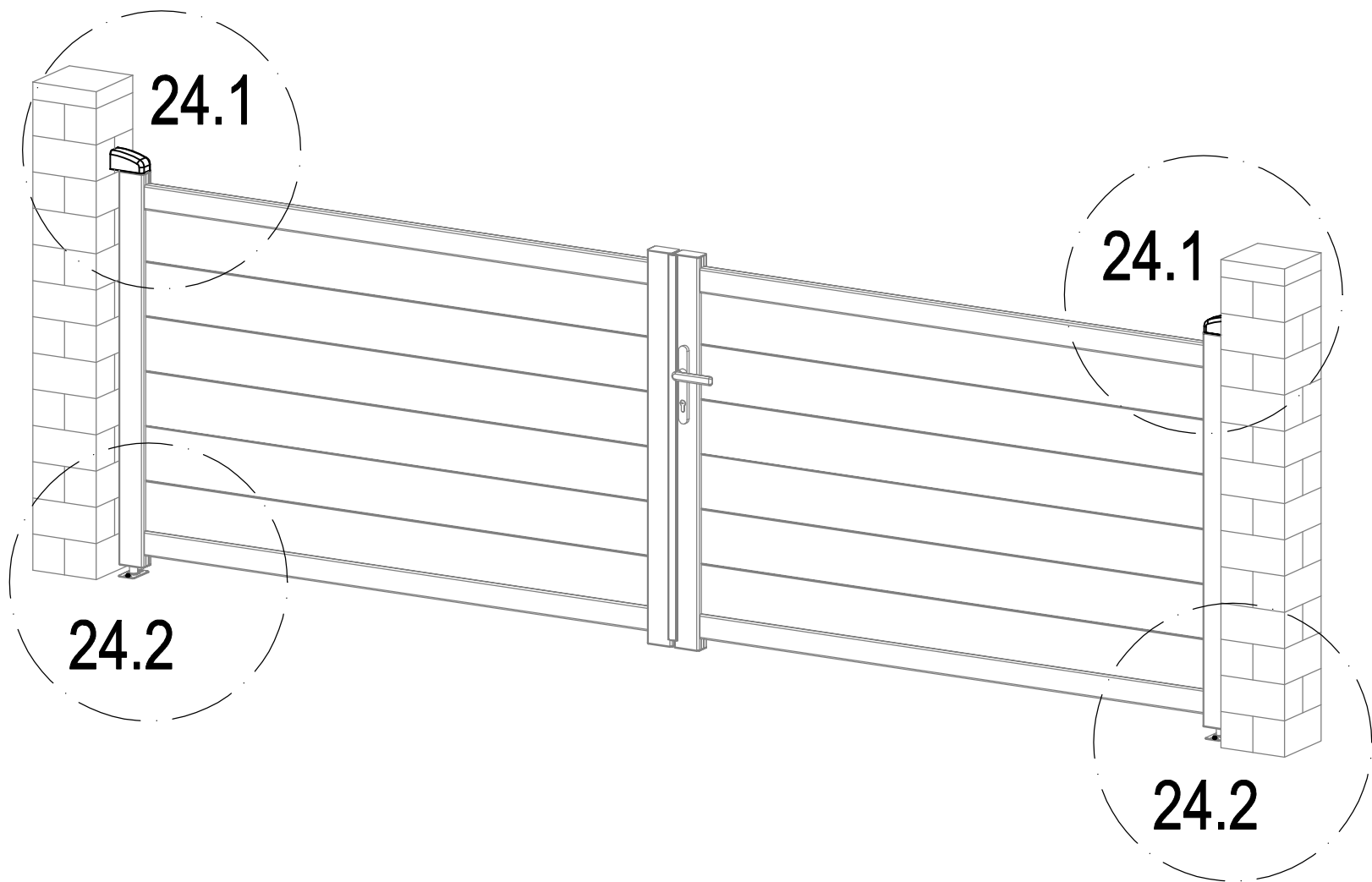


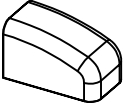

	Dr-11	1
	CK-Y32	2

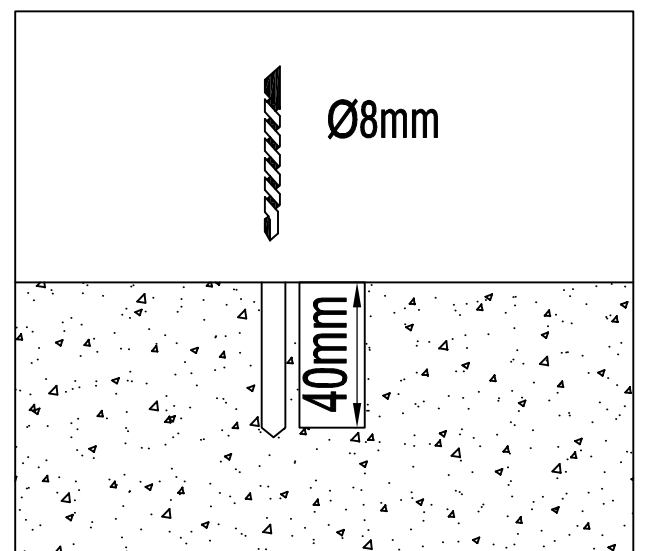
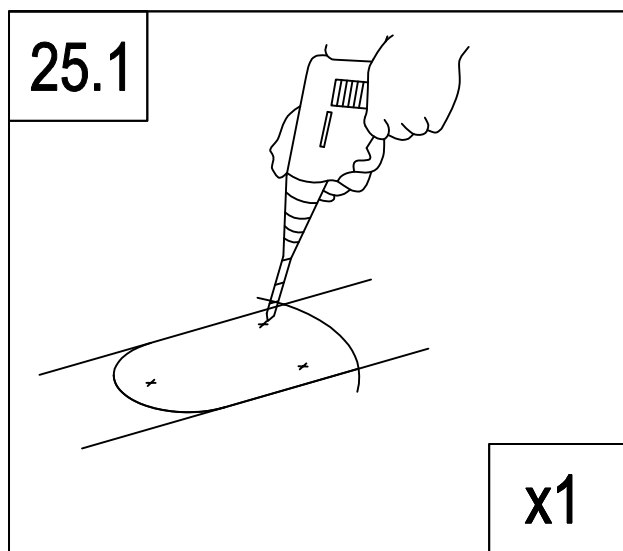
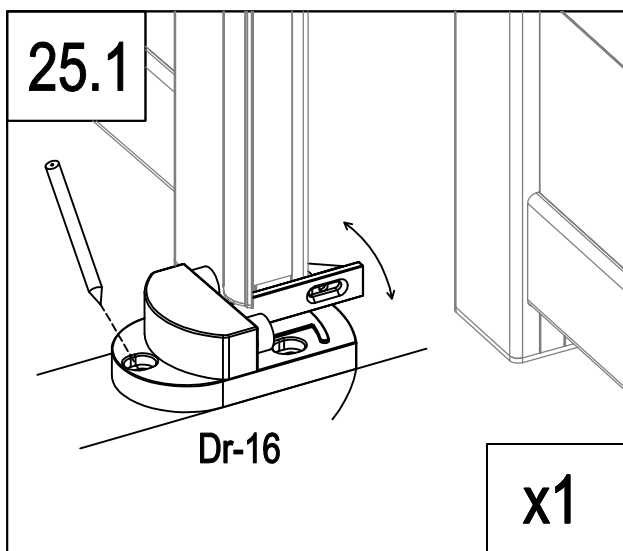
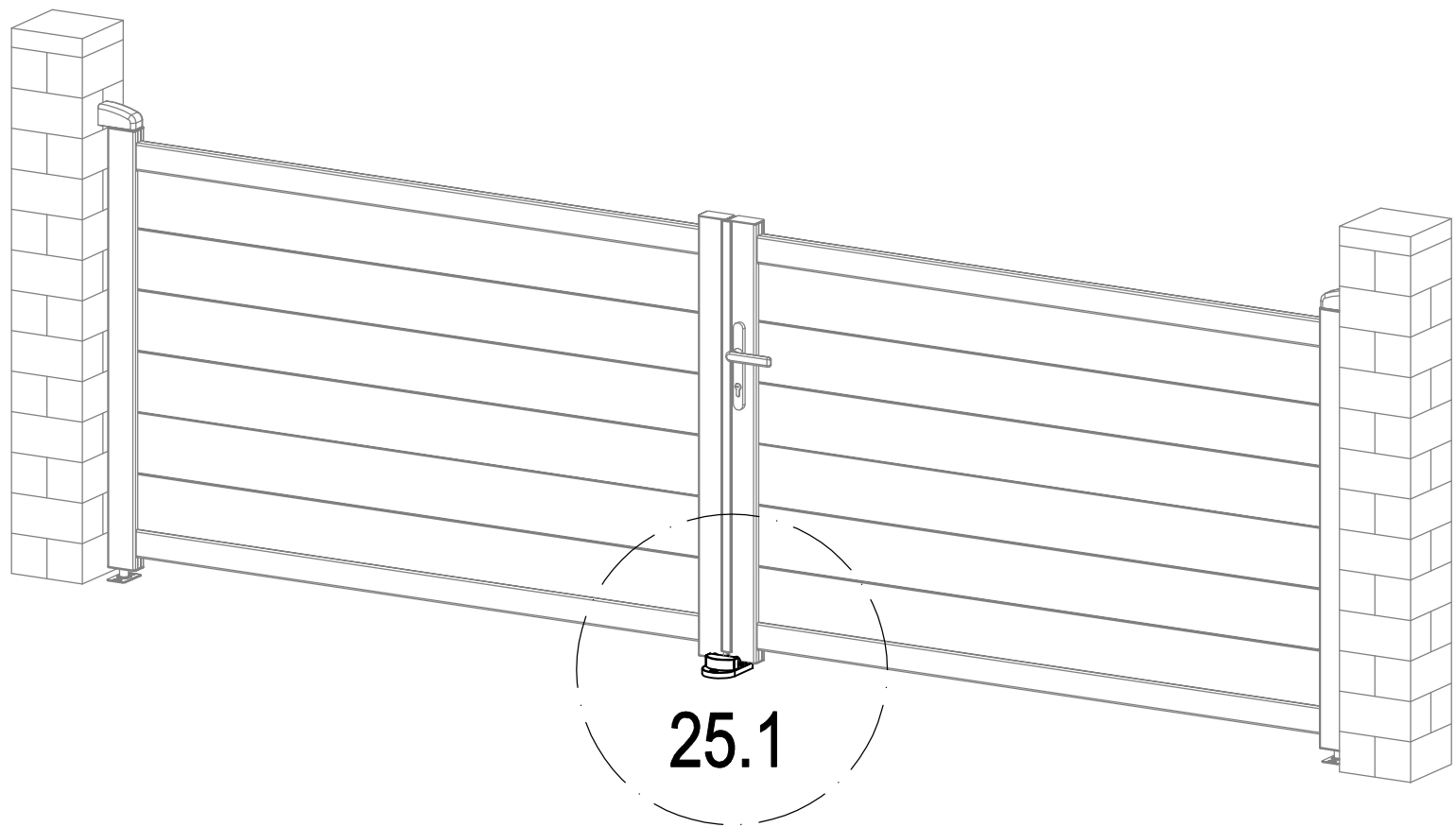


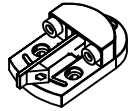


	Dr-11	1
	CK-Y32	2

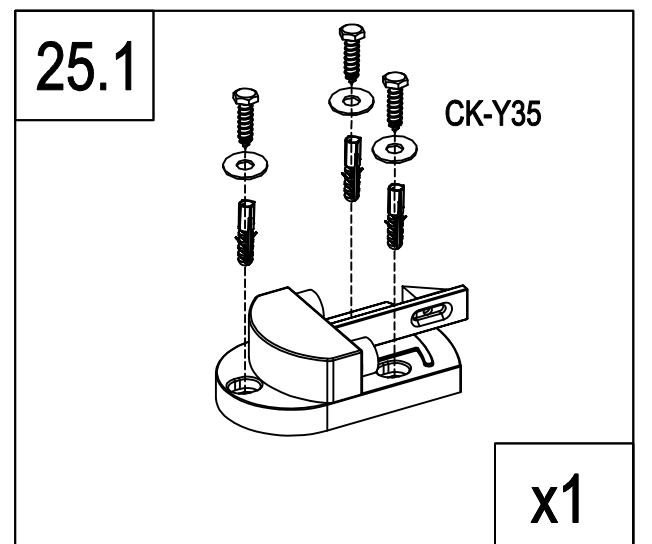


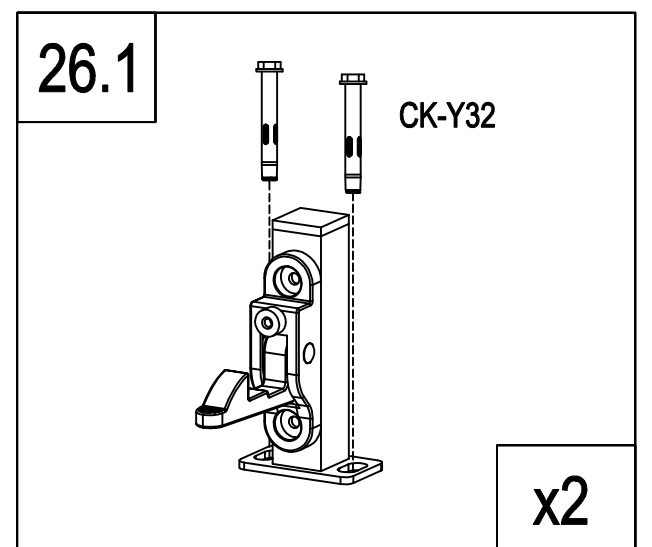
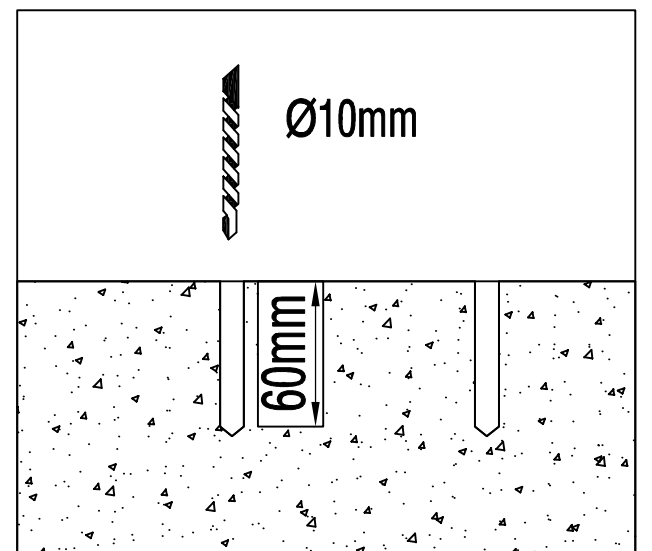
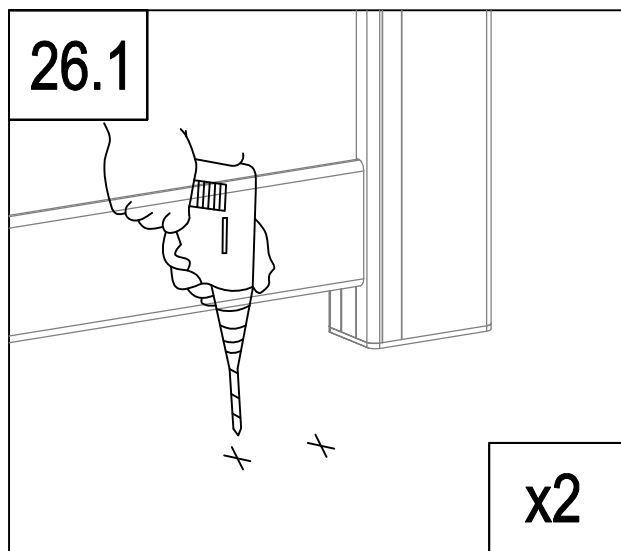
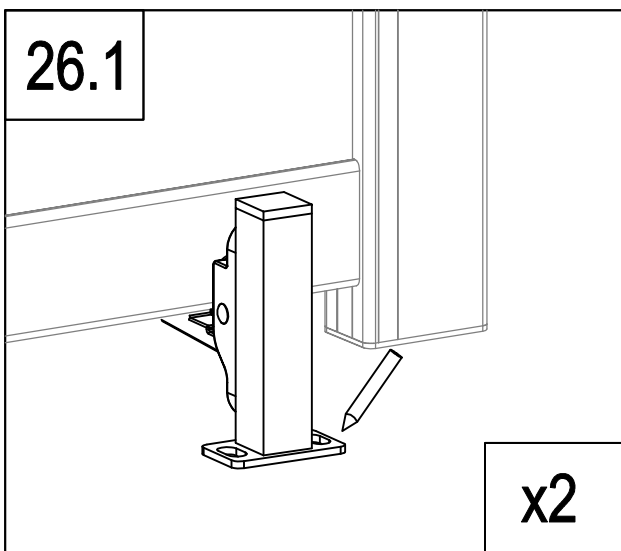
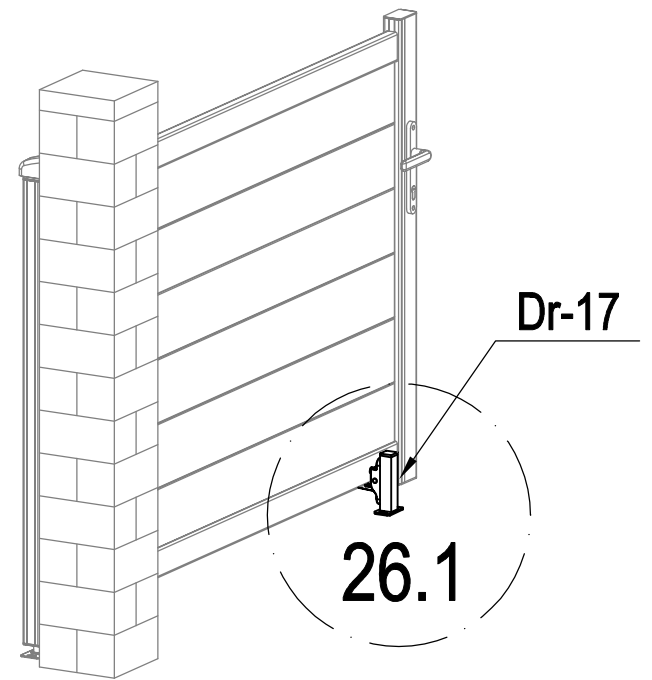
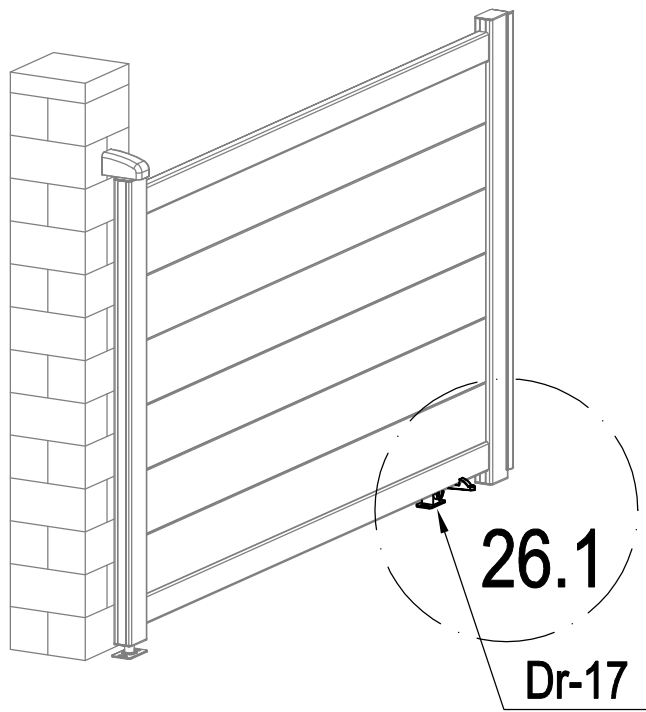



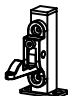
	Dr-15	2
	Dr-31	4



	Dr-16	1
	CK-Y34	3
	CK-Y35	3





	CK-Y32	4
	Dr-17	2