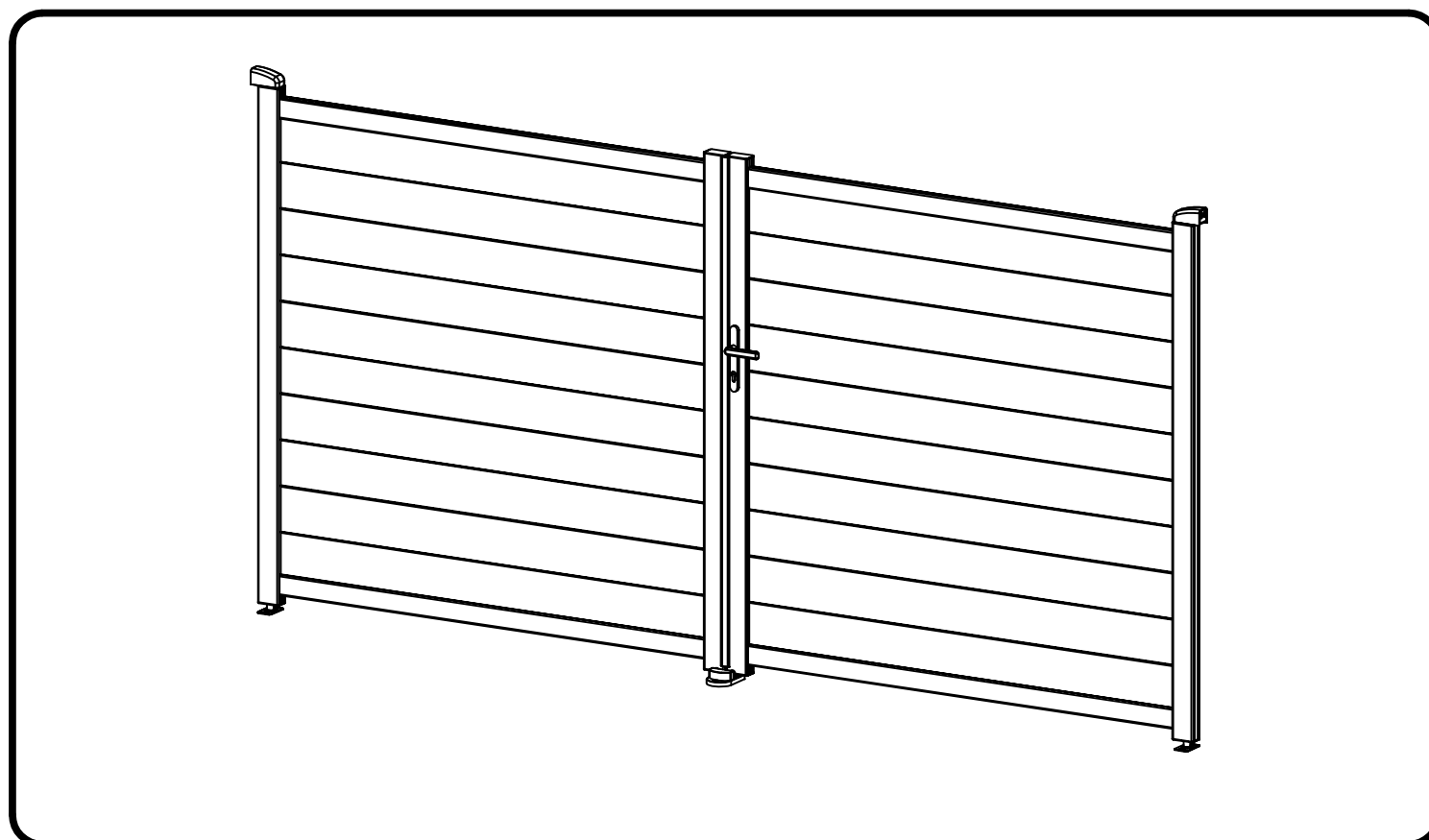


# CASANOV

## EIGER 350B180



6-7H



x2

COM-000071

[x1]

COM-000072

[x1]

COM-000073

[x1]

FR

EN

ES

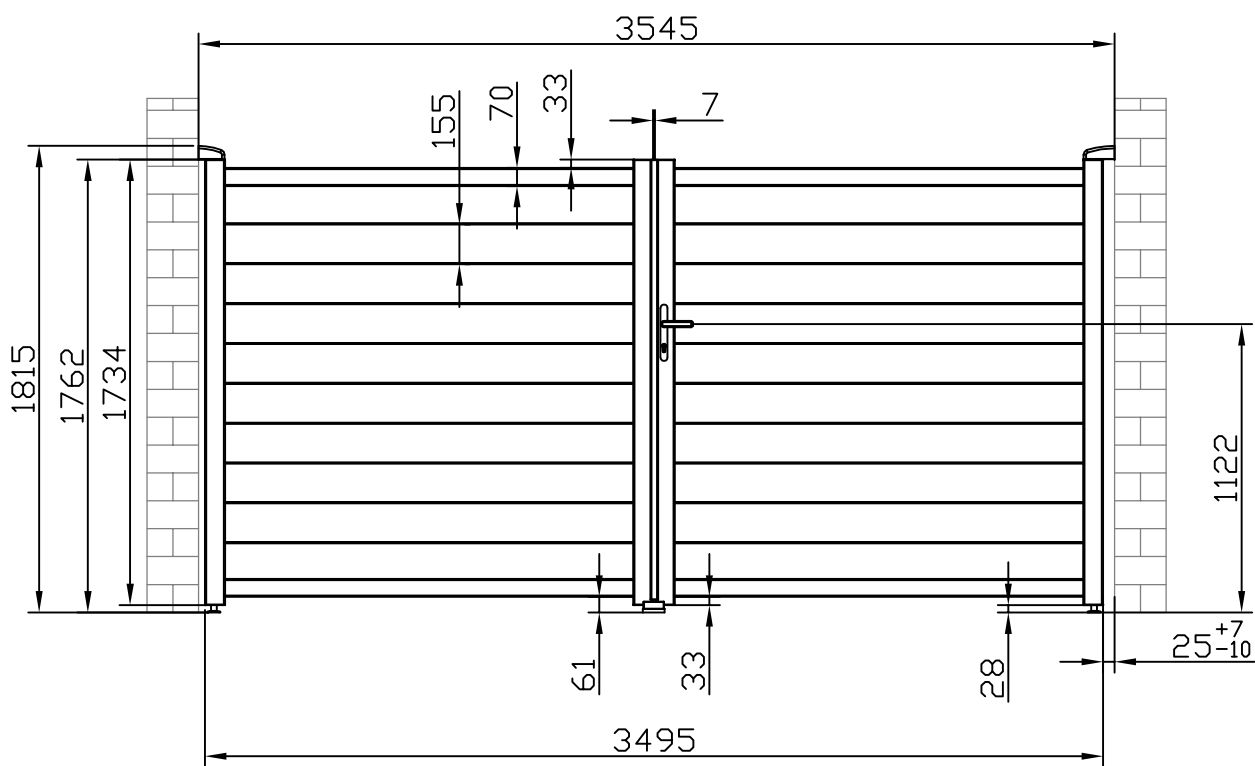
DE

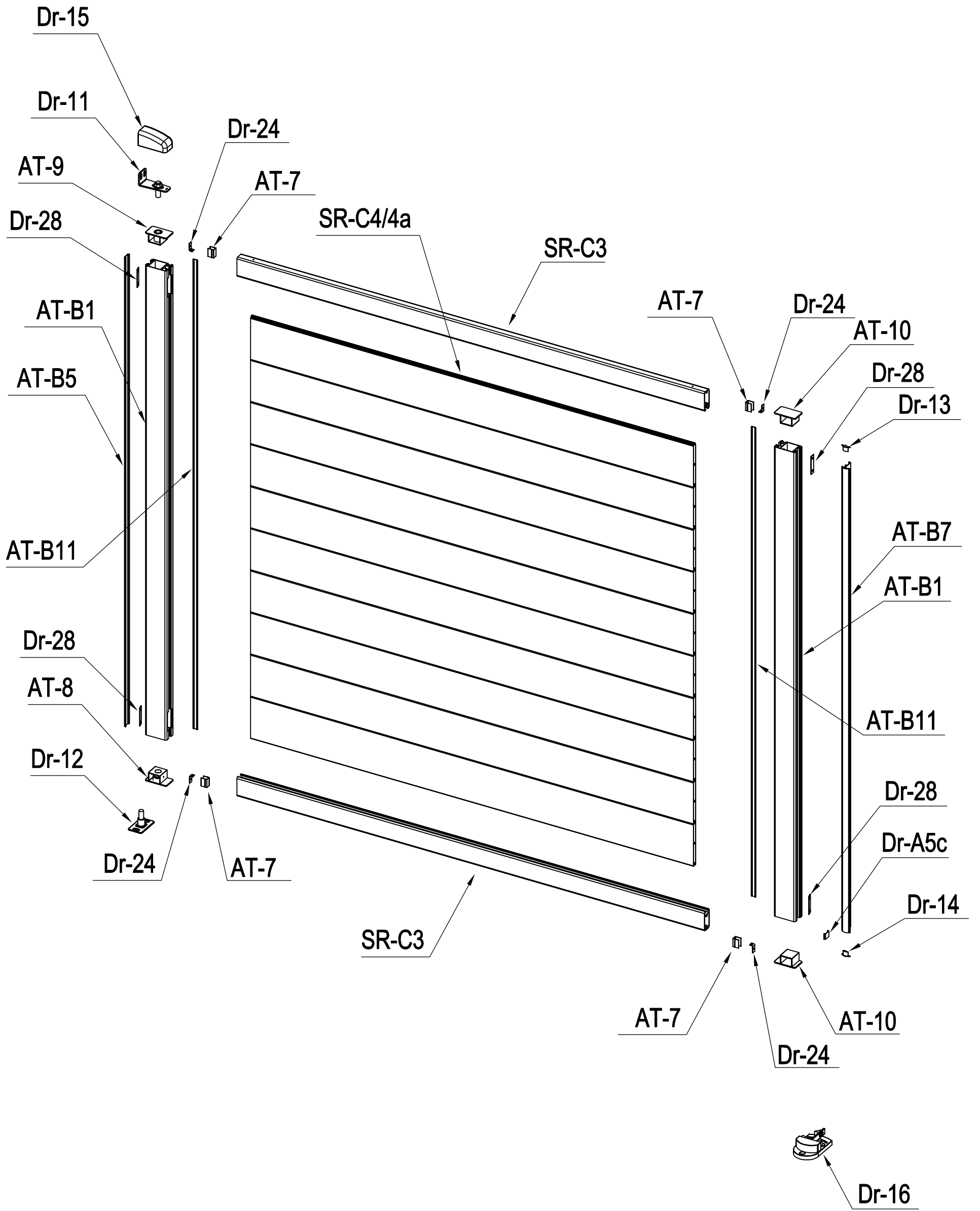
IT

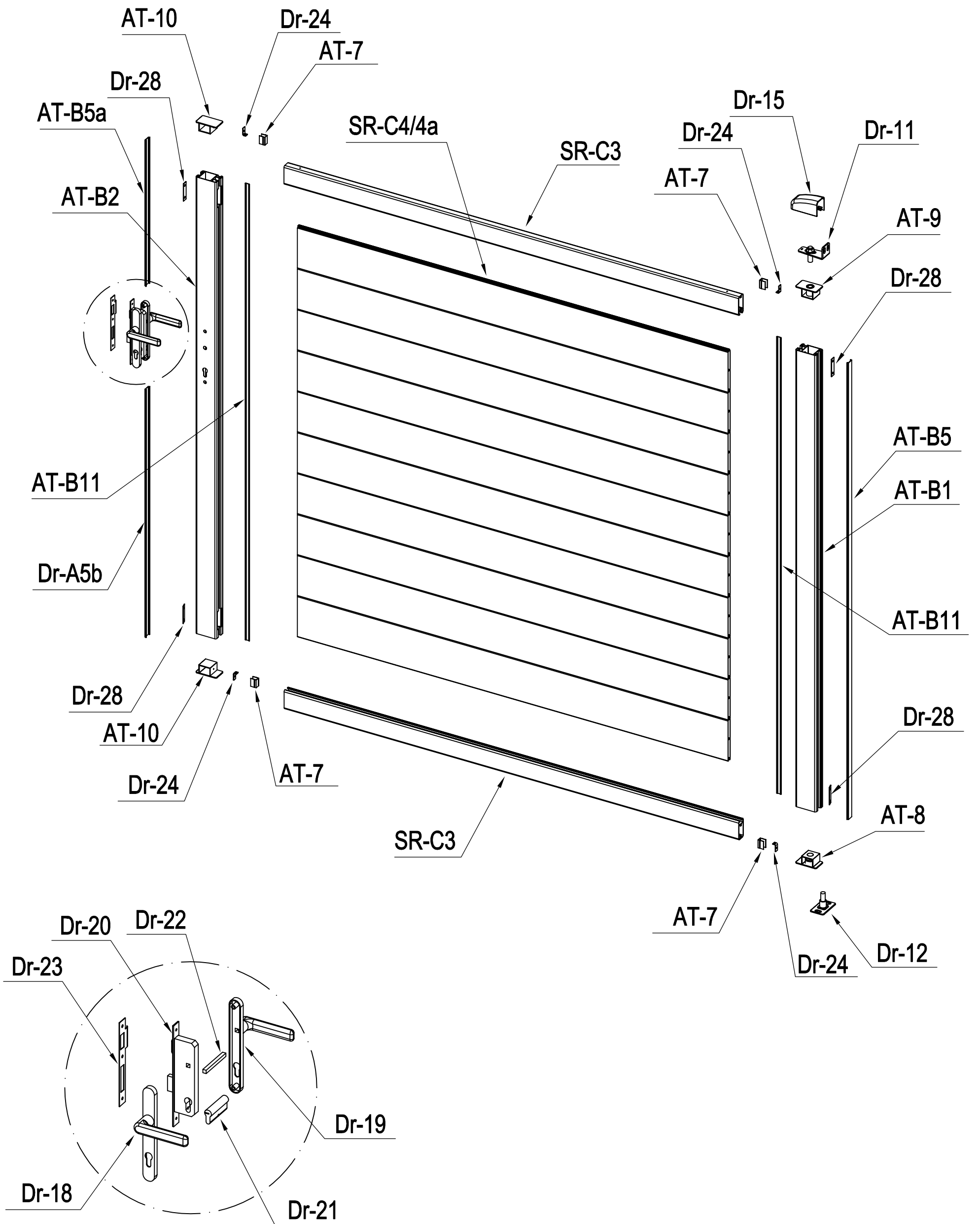
NL

PL

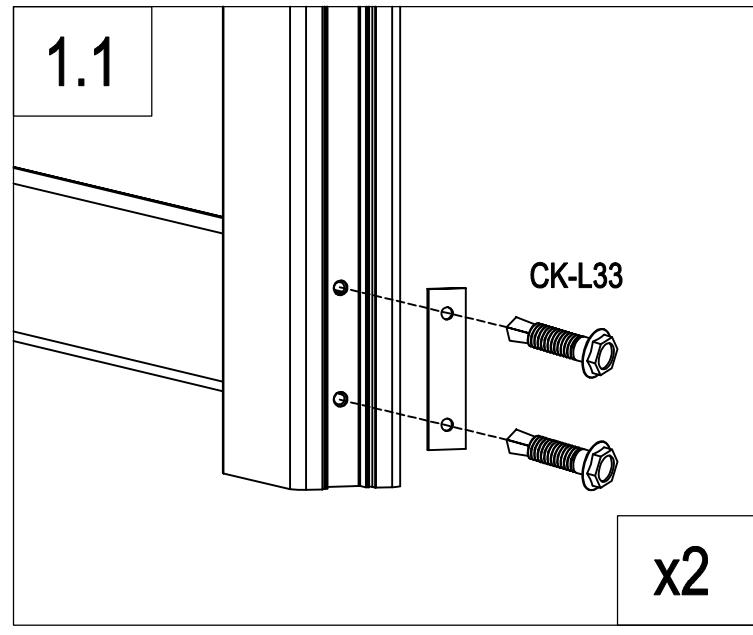
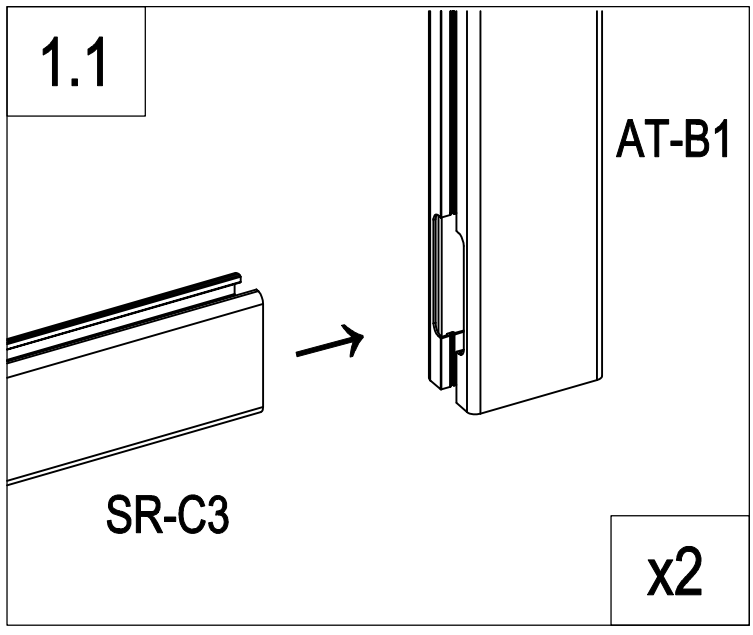
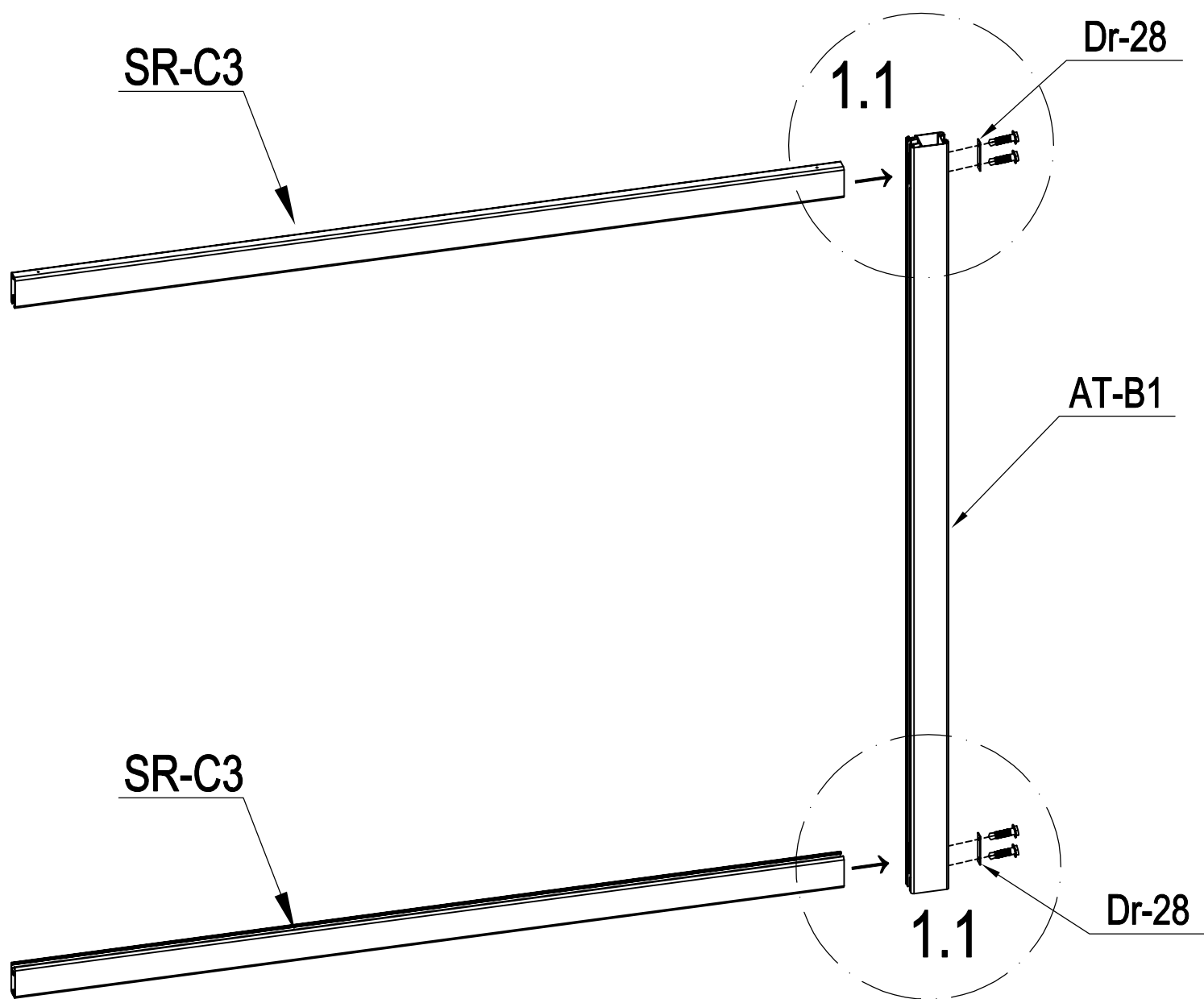


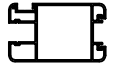
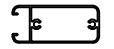




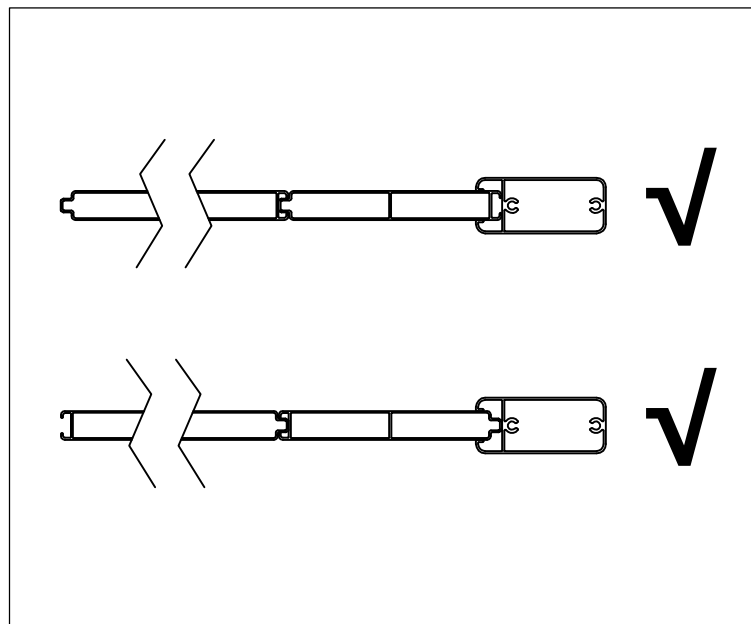
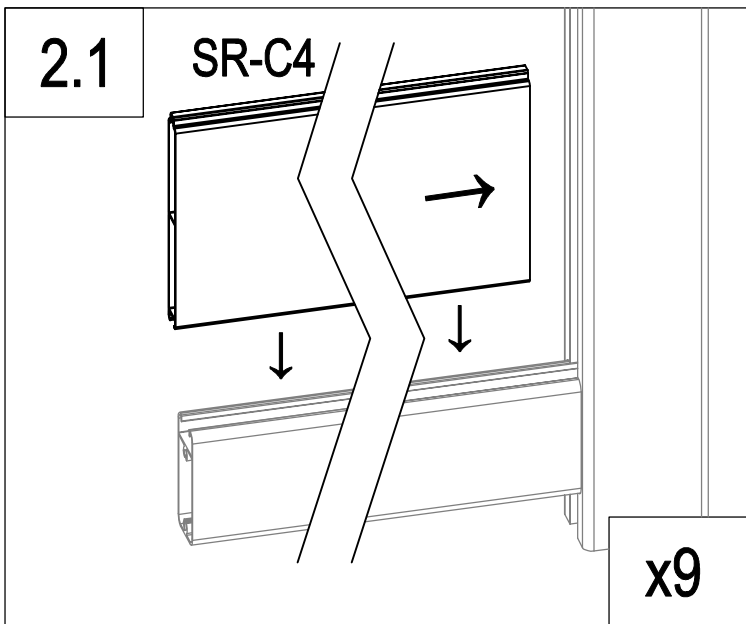
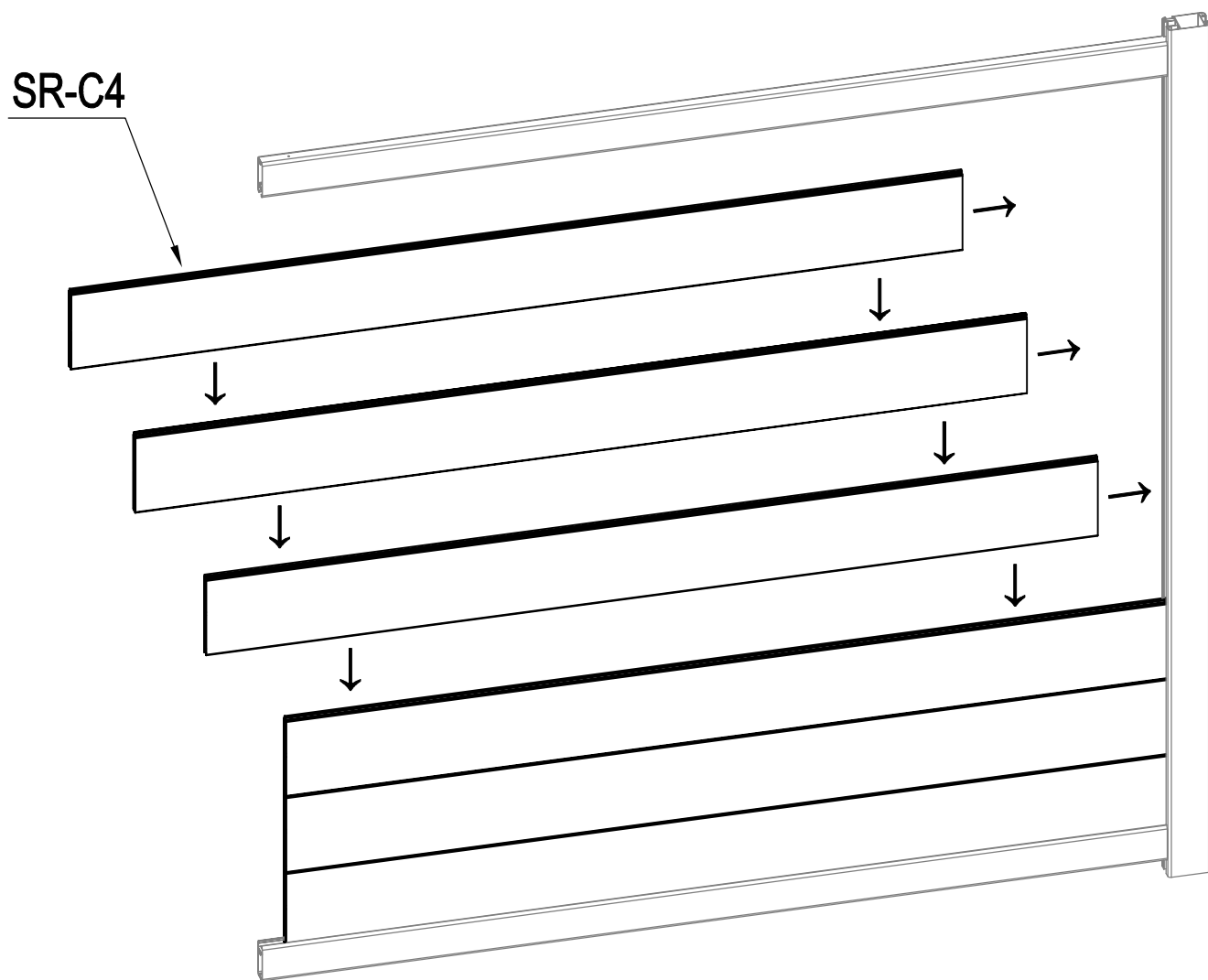


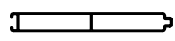


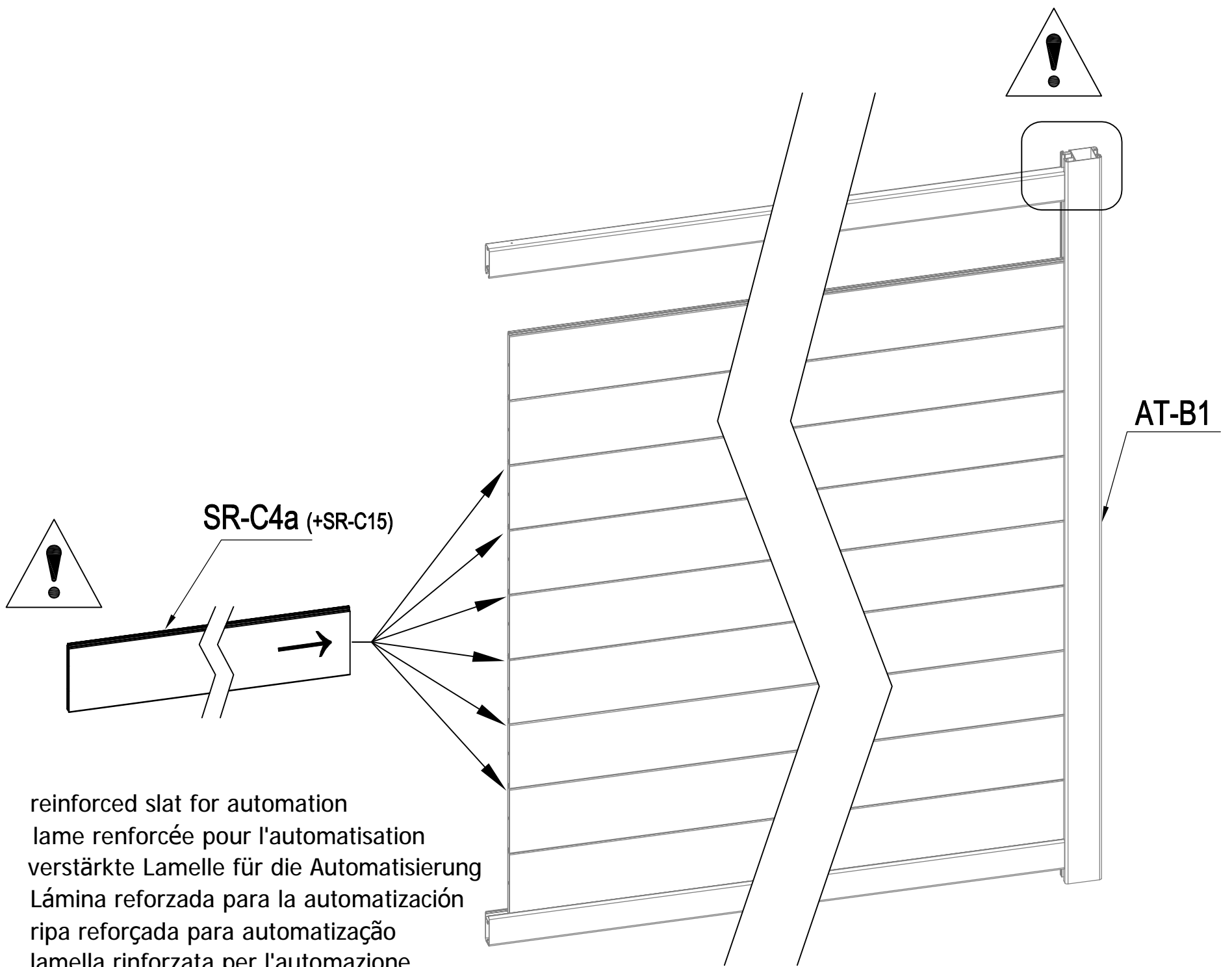




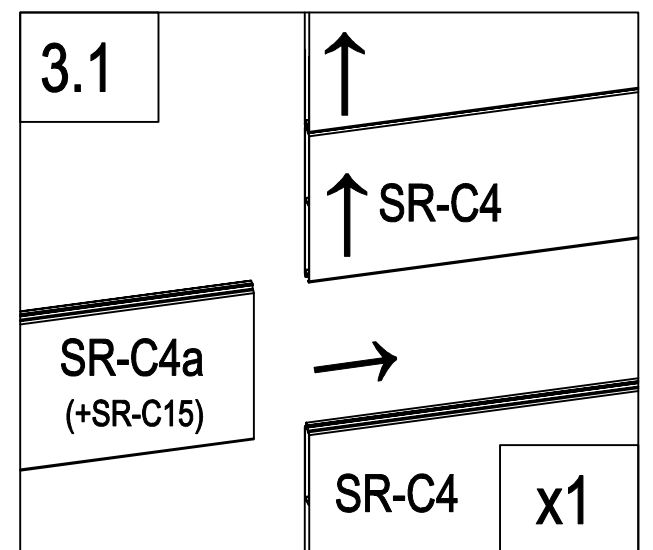
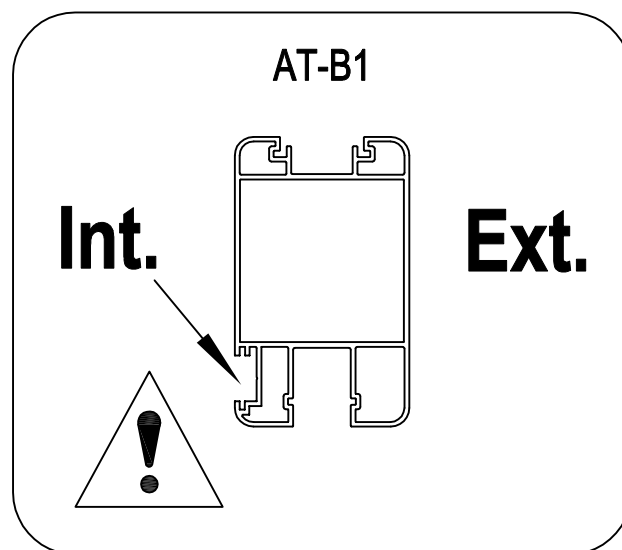
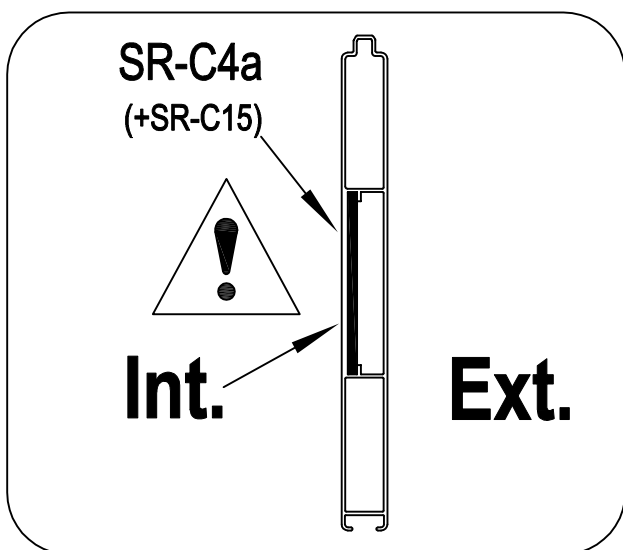
	AT-B1	1
	SR-C3	2
	Dr-28	2
	CK-L33	4




	SR-C4	9
---	-------	---

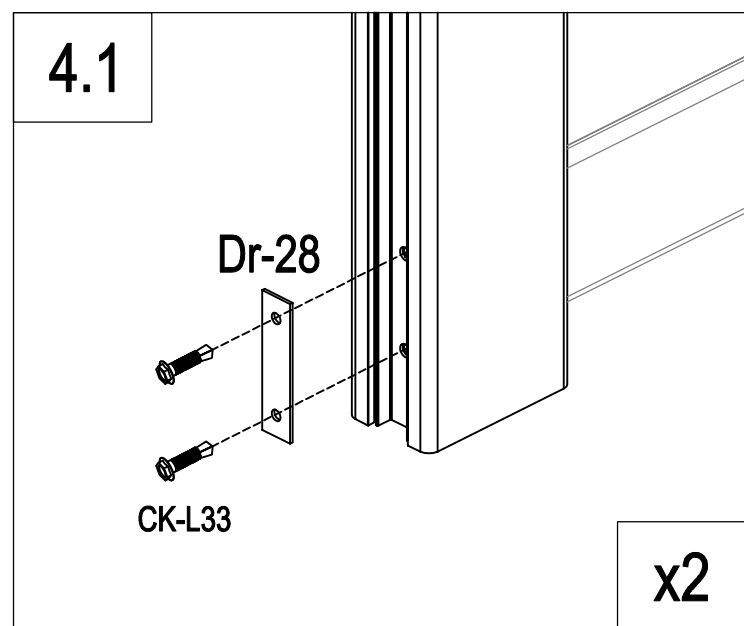
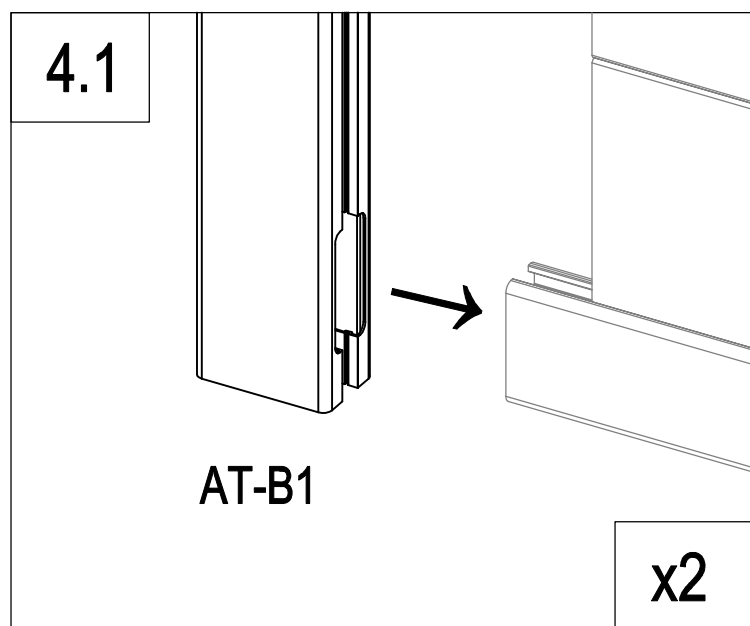
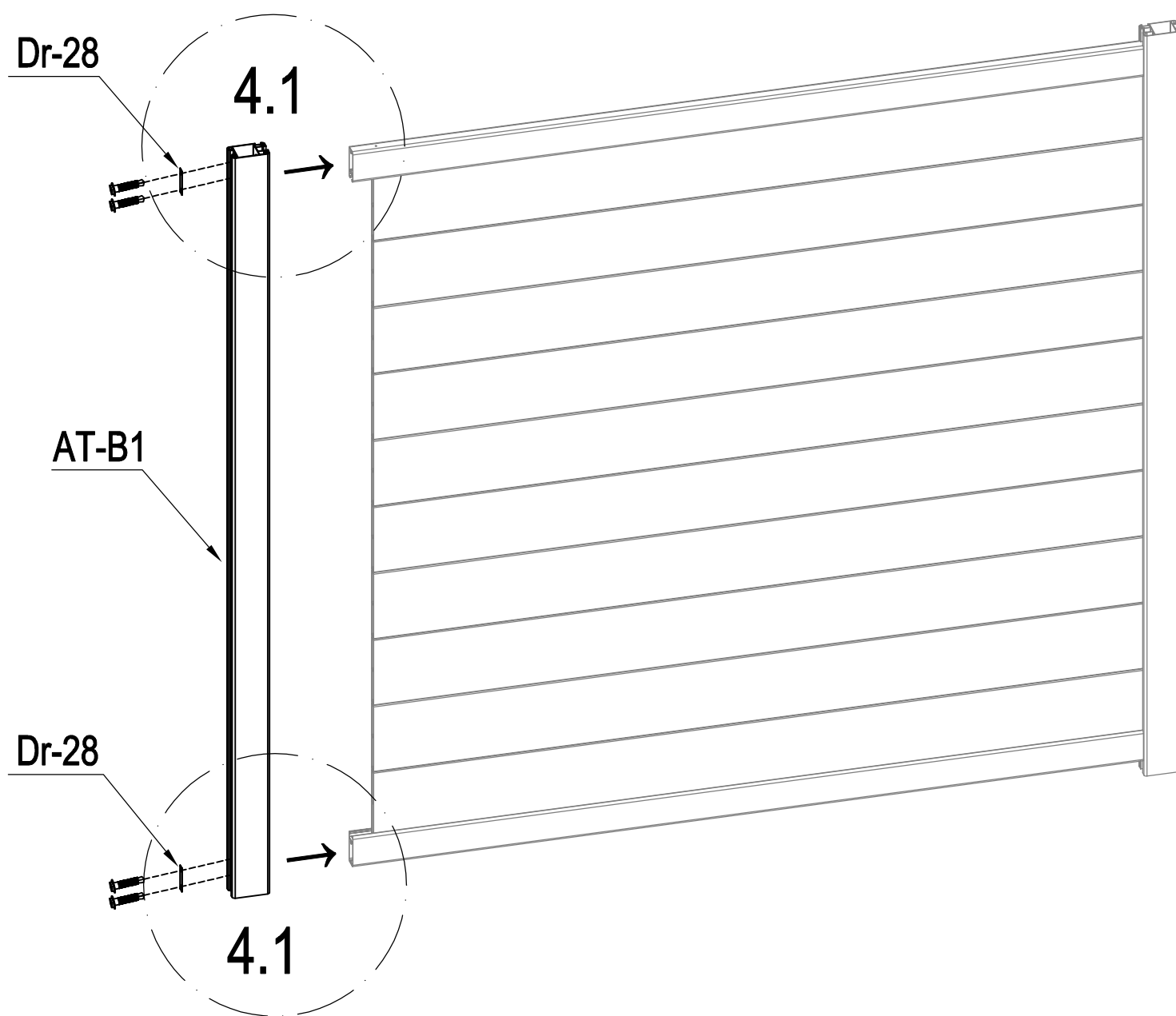


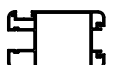


- EN: reinforced slat for automation
- FR: lame renforcée pour l'automatisation
- DE: verstärkte Lamelle für die Automatisierung
- ES: Lámina reforzada para la automatización
- PT: ripa reforçada para automatização
- IT: lamella rinforzata per l'automazione
- NL: versterkte lat voor automatisering
- PL: wzmocniona listwa do automatyzacji

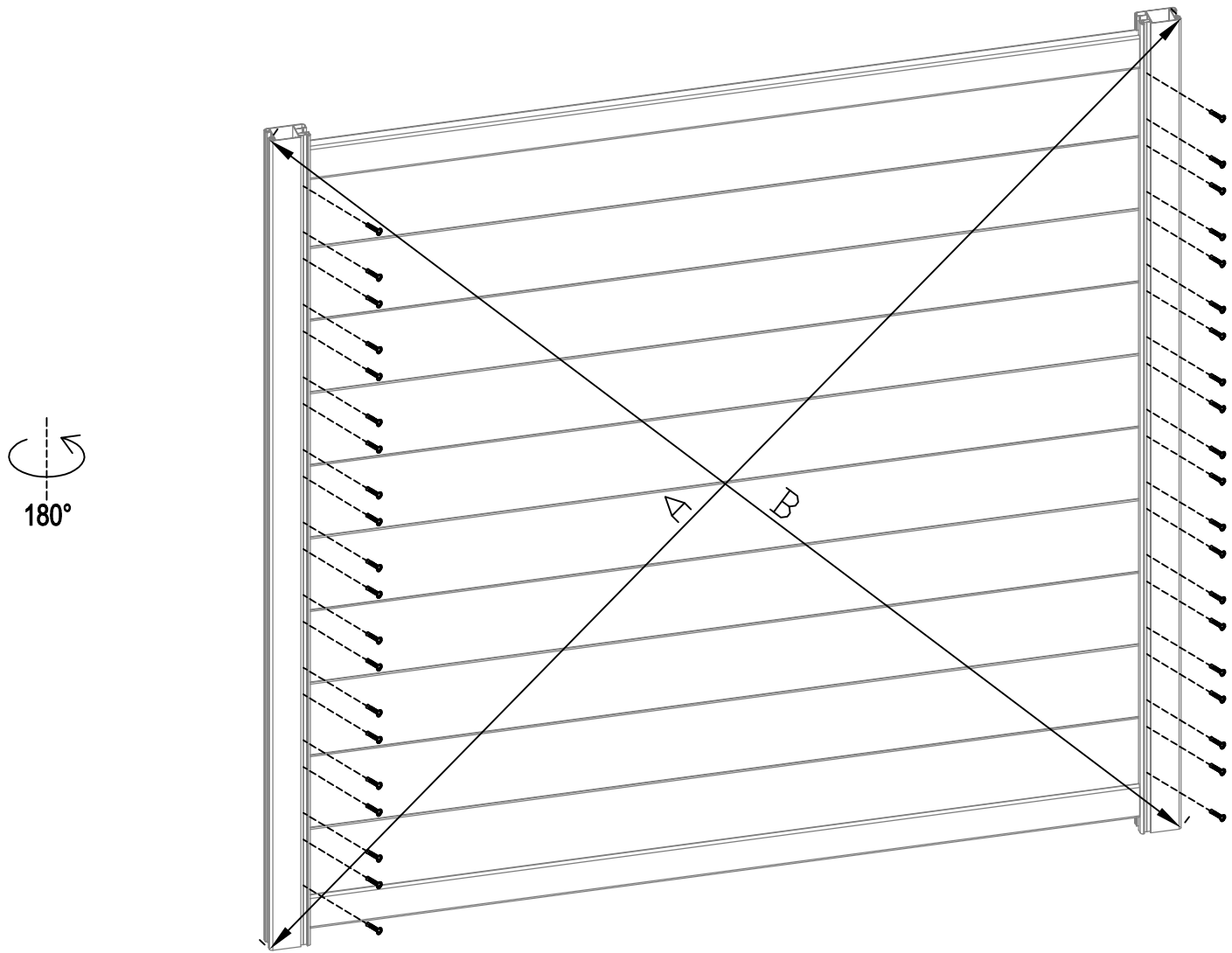


	SR-C4a (+SR-C15)	1
---	------------------	---

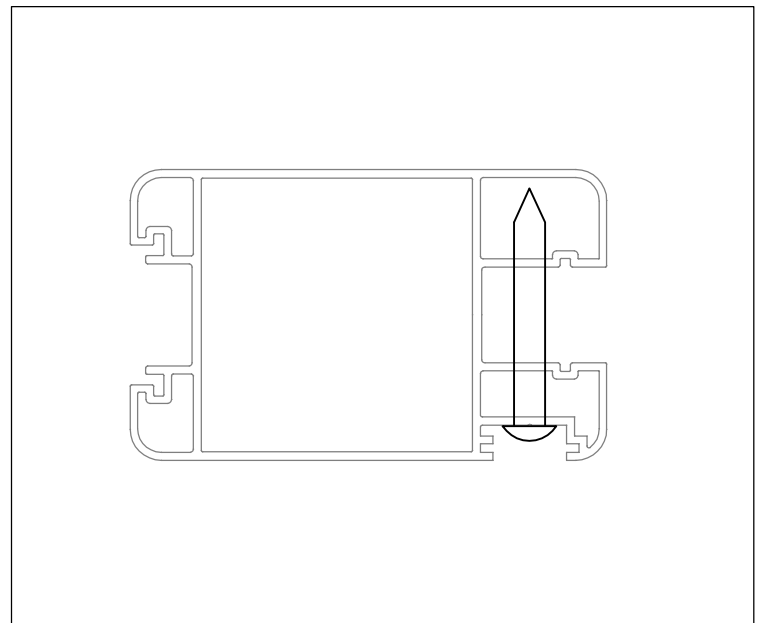
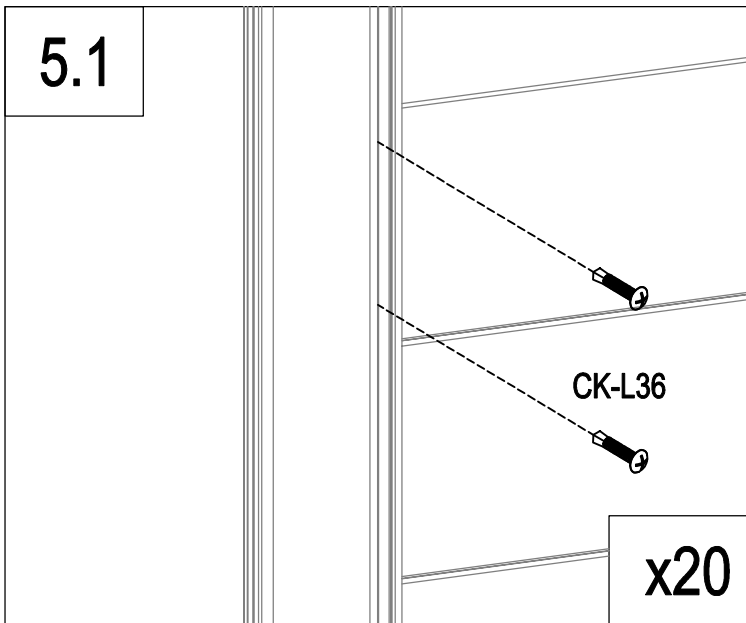





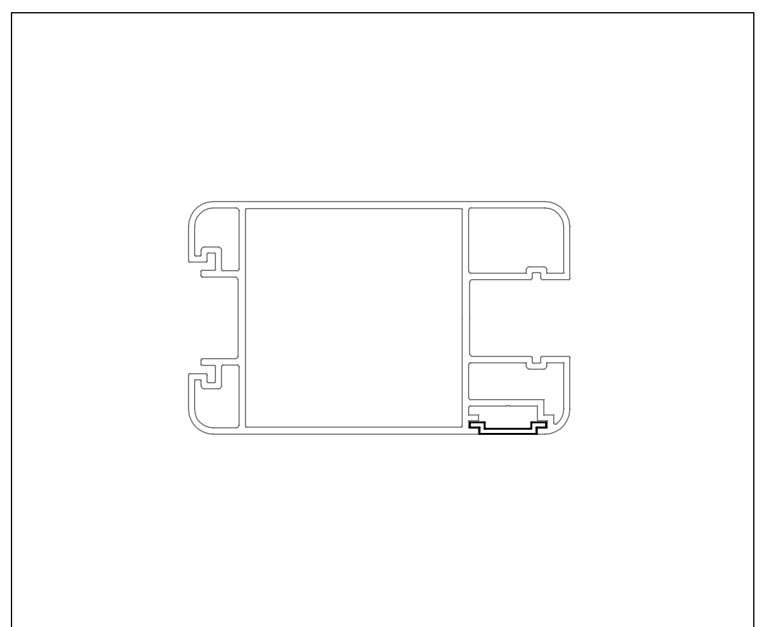
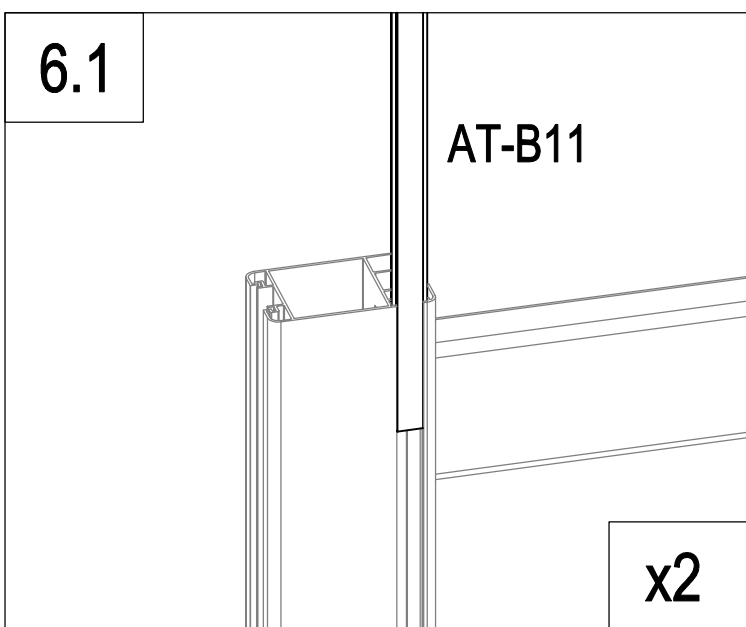
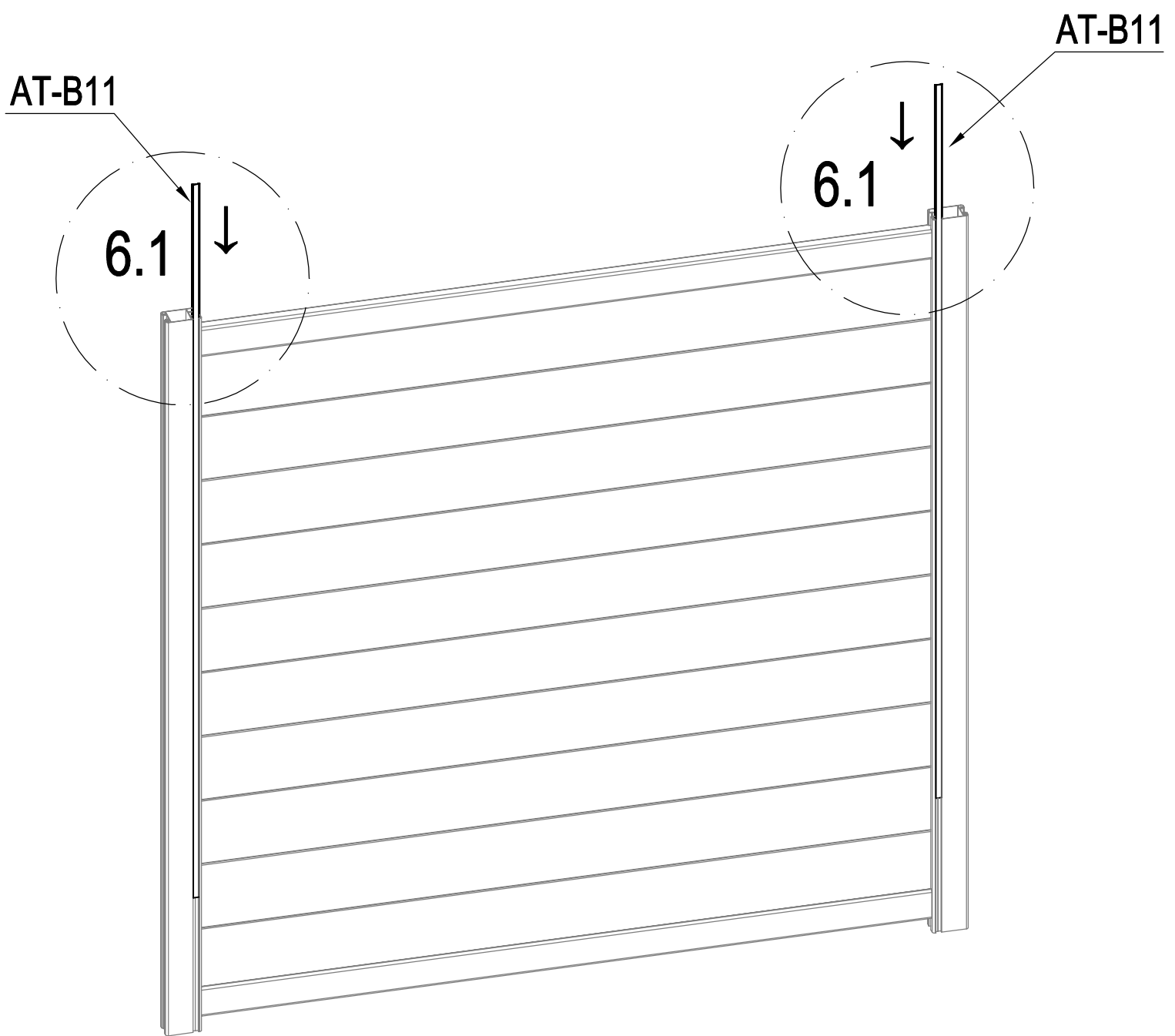
	AT-B1	1
	Dr-28	2
	CK-L33	4

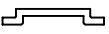


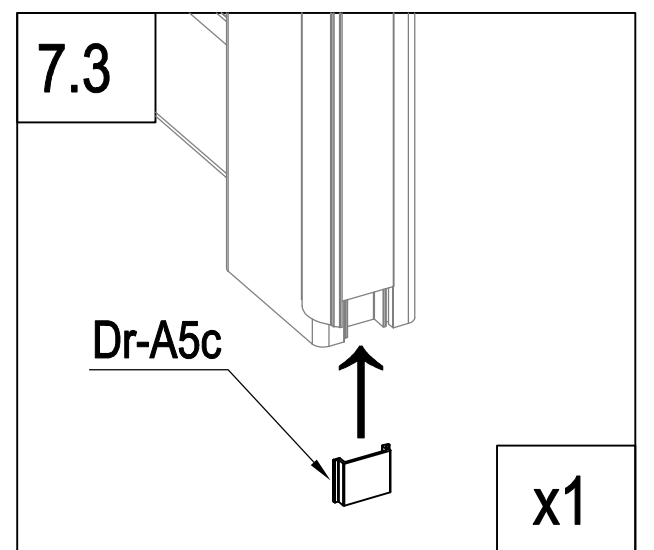
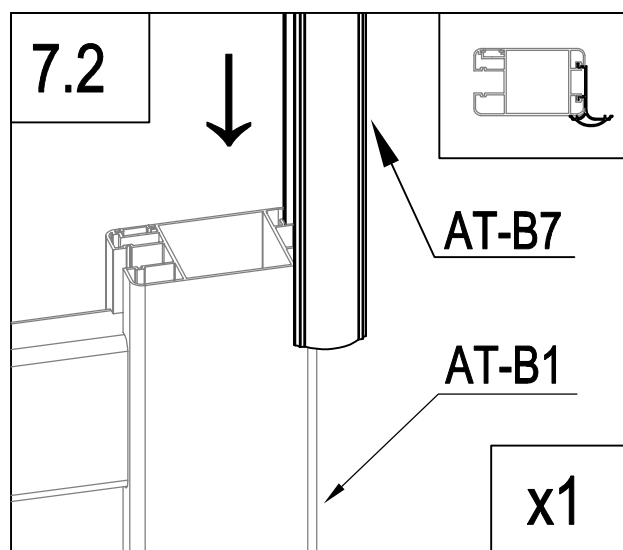
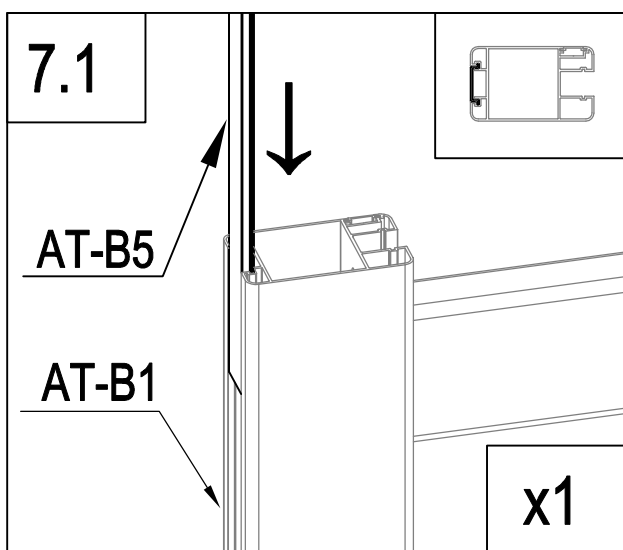
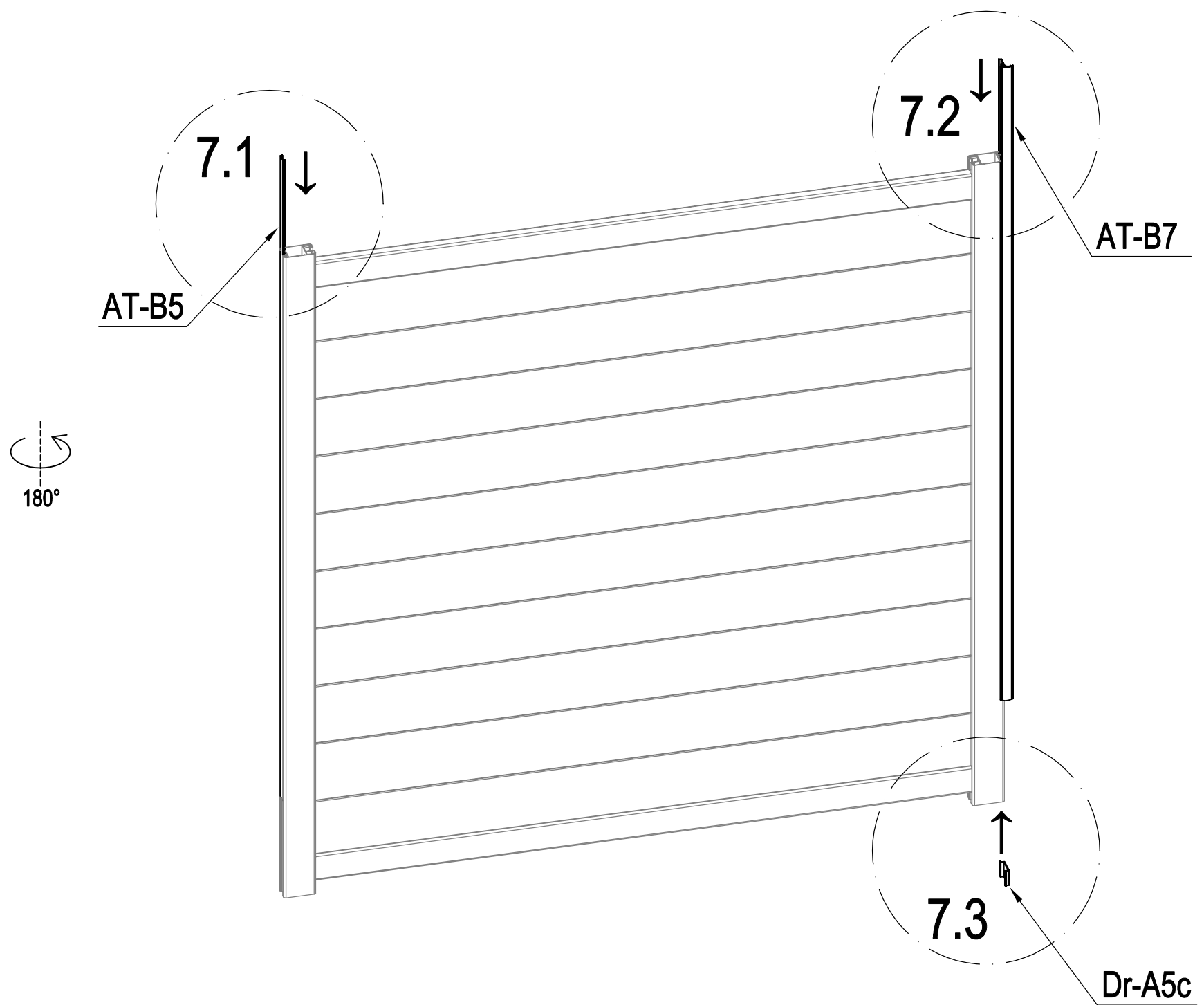
A=B

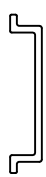
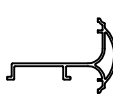


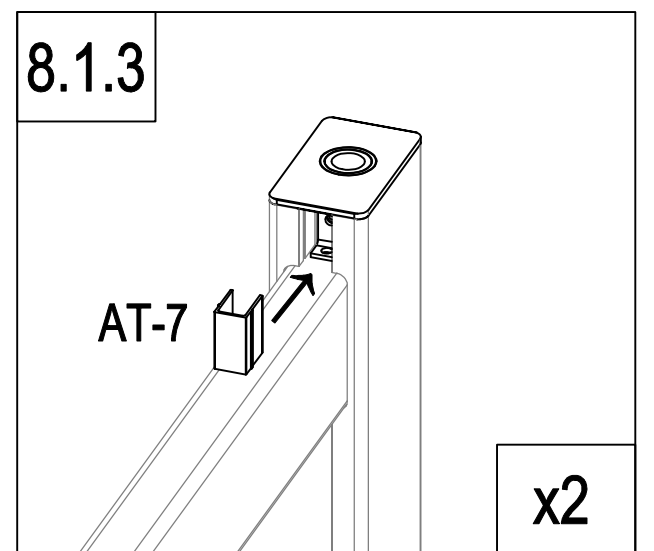
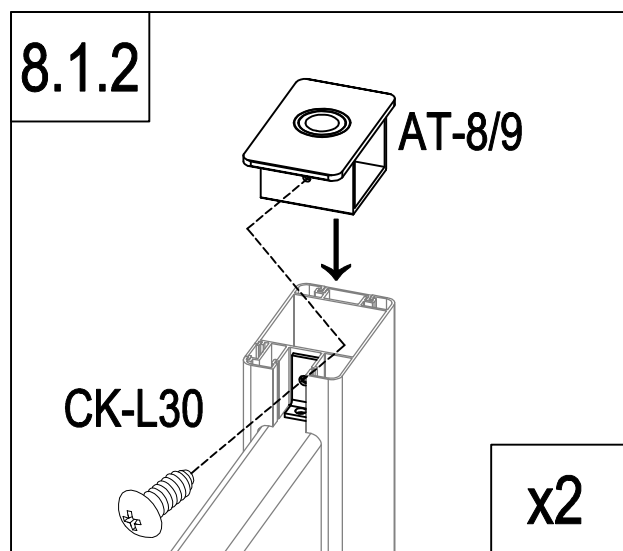
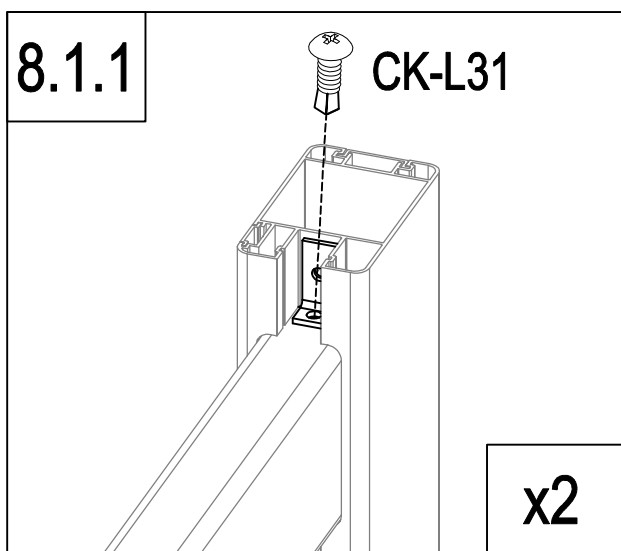
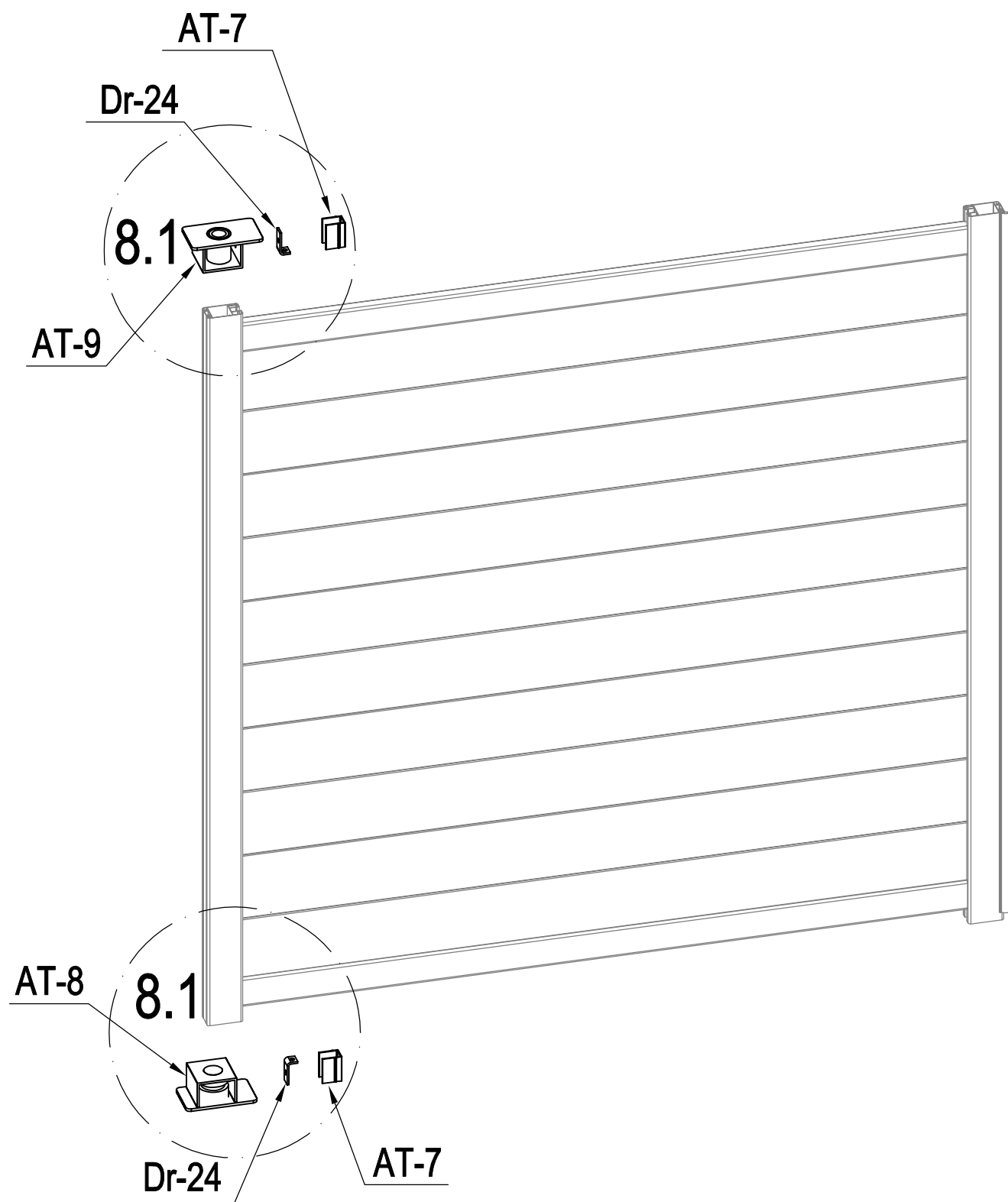
	<p>CK-L36</p>	<p>40</p>
---	---------------	-----------

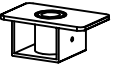





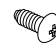
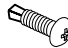
	AT-B11	2
---	--------	---

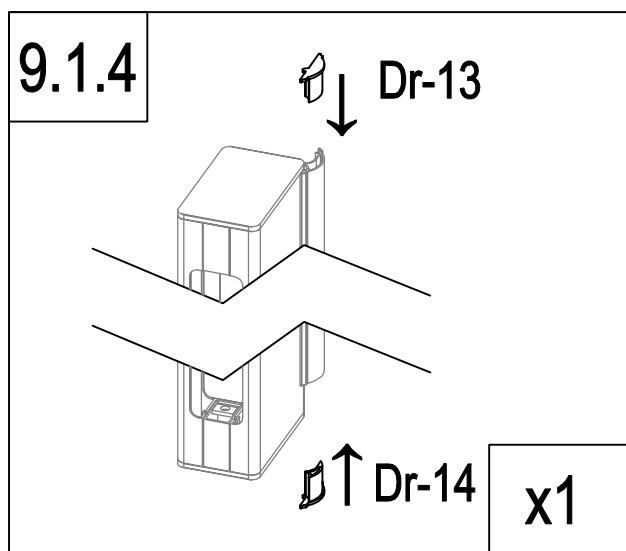
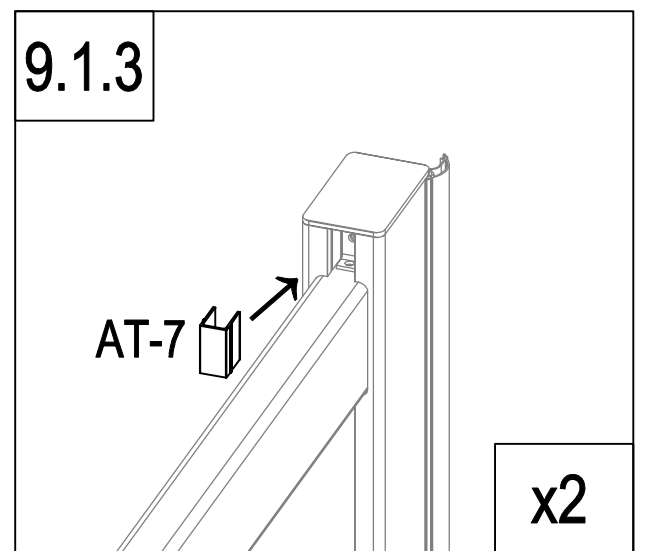
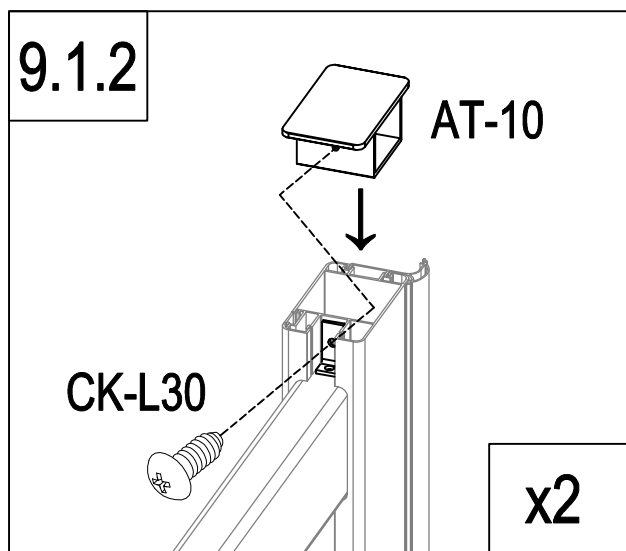
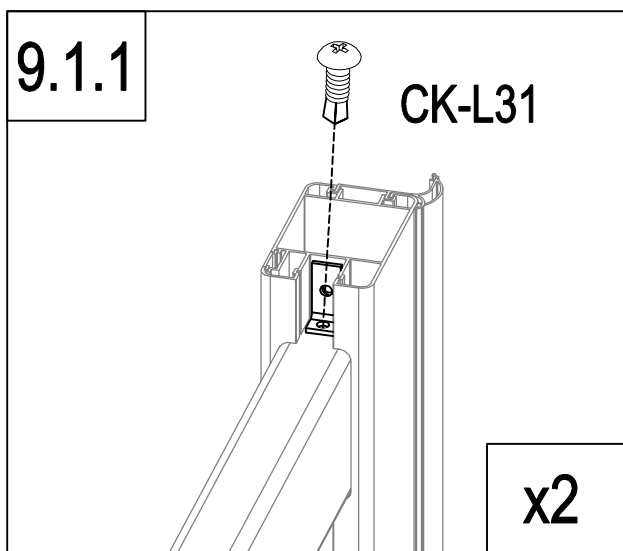
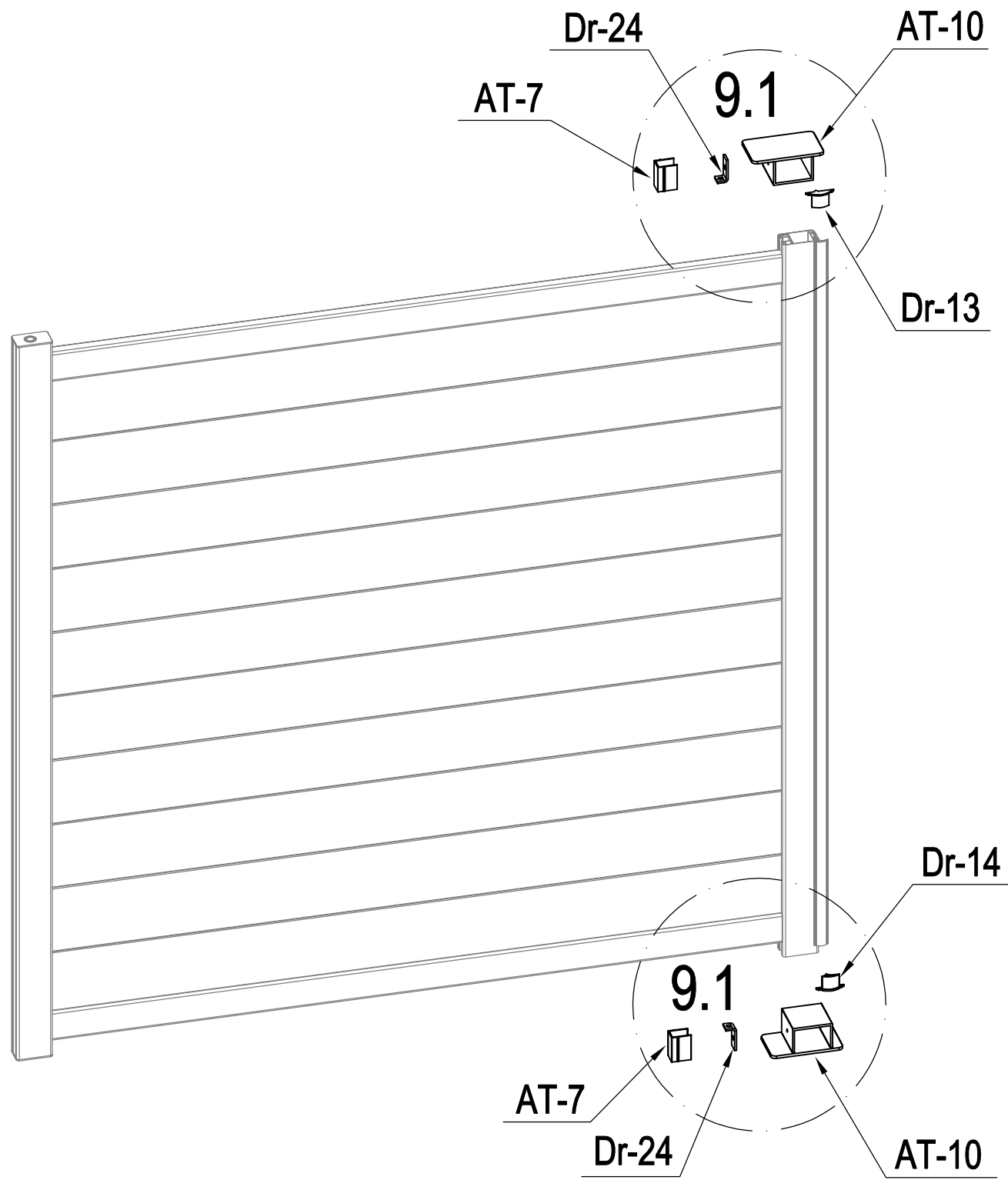


	AT-B5	1
	Dr-A5c	1
	AT-B7	1



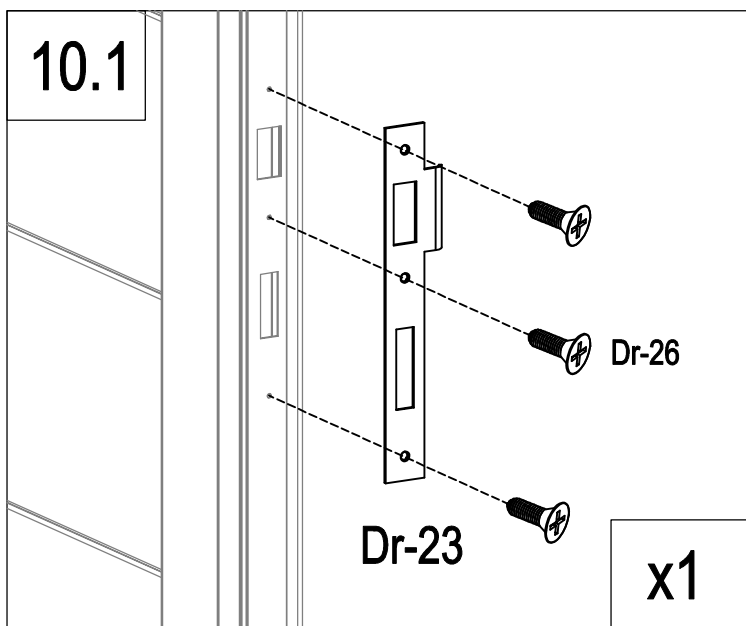
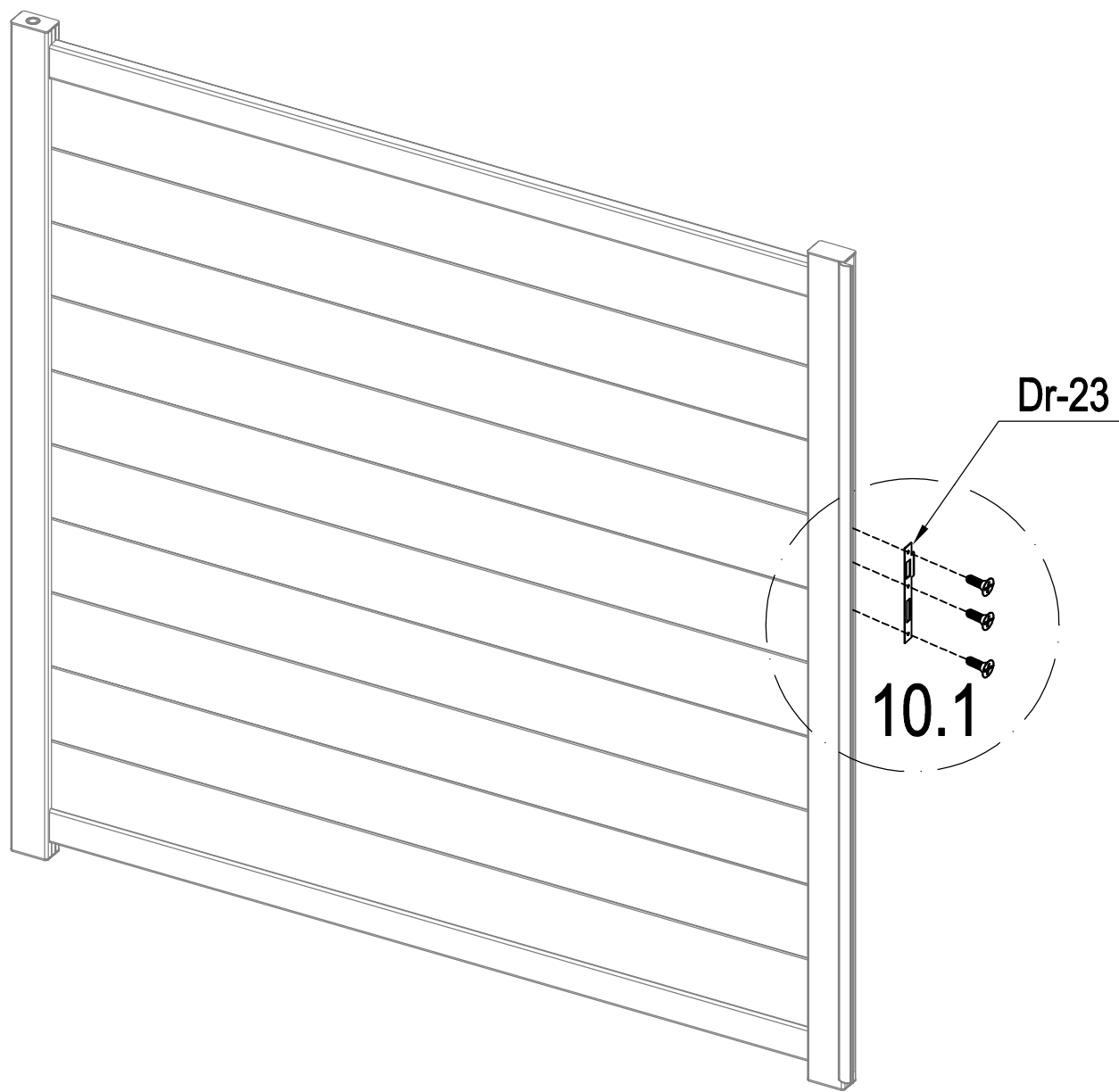
	AT-8	1
	AT-9	1
	Dr-24	2

	AT-7	2
	CK-L30	2
	CK-L31	2

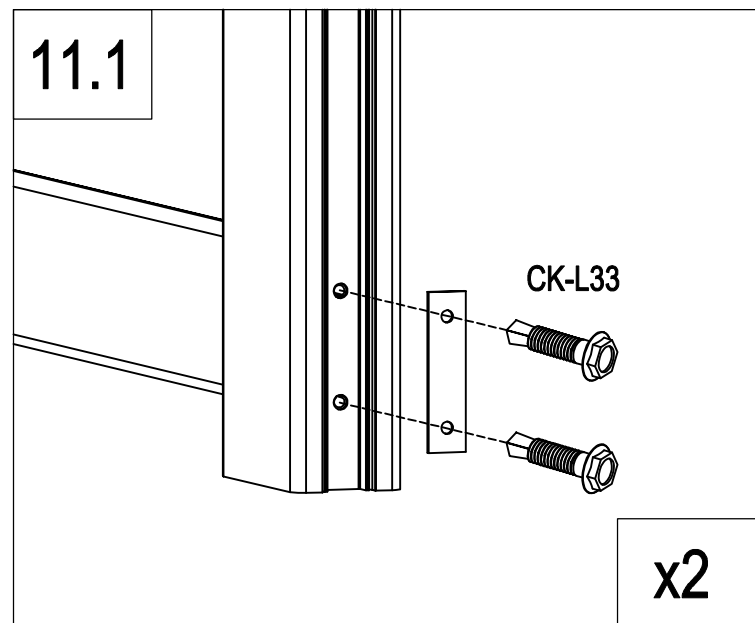
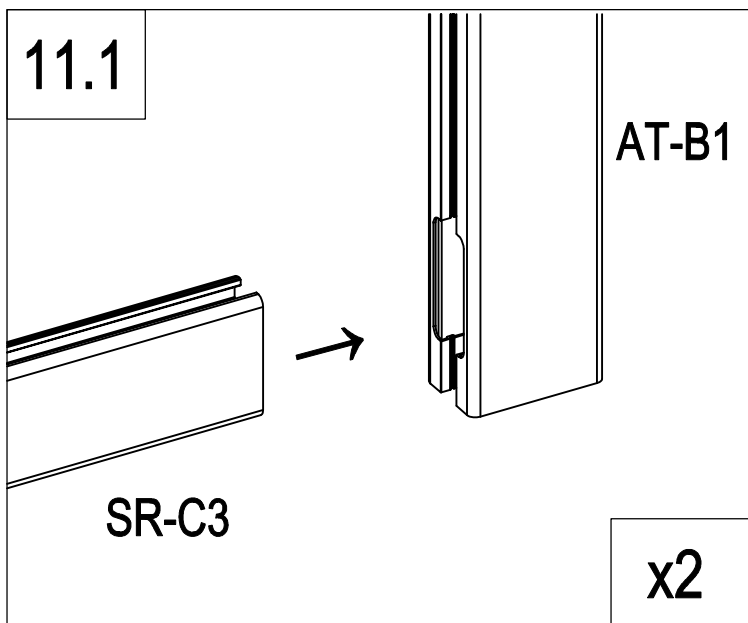
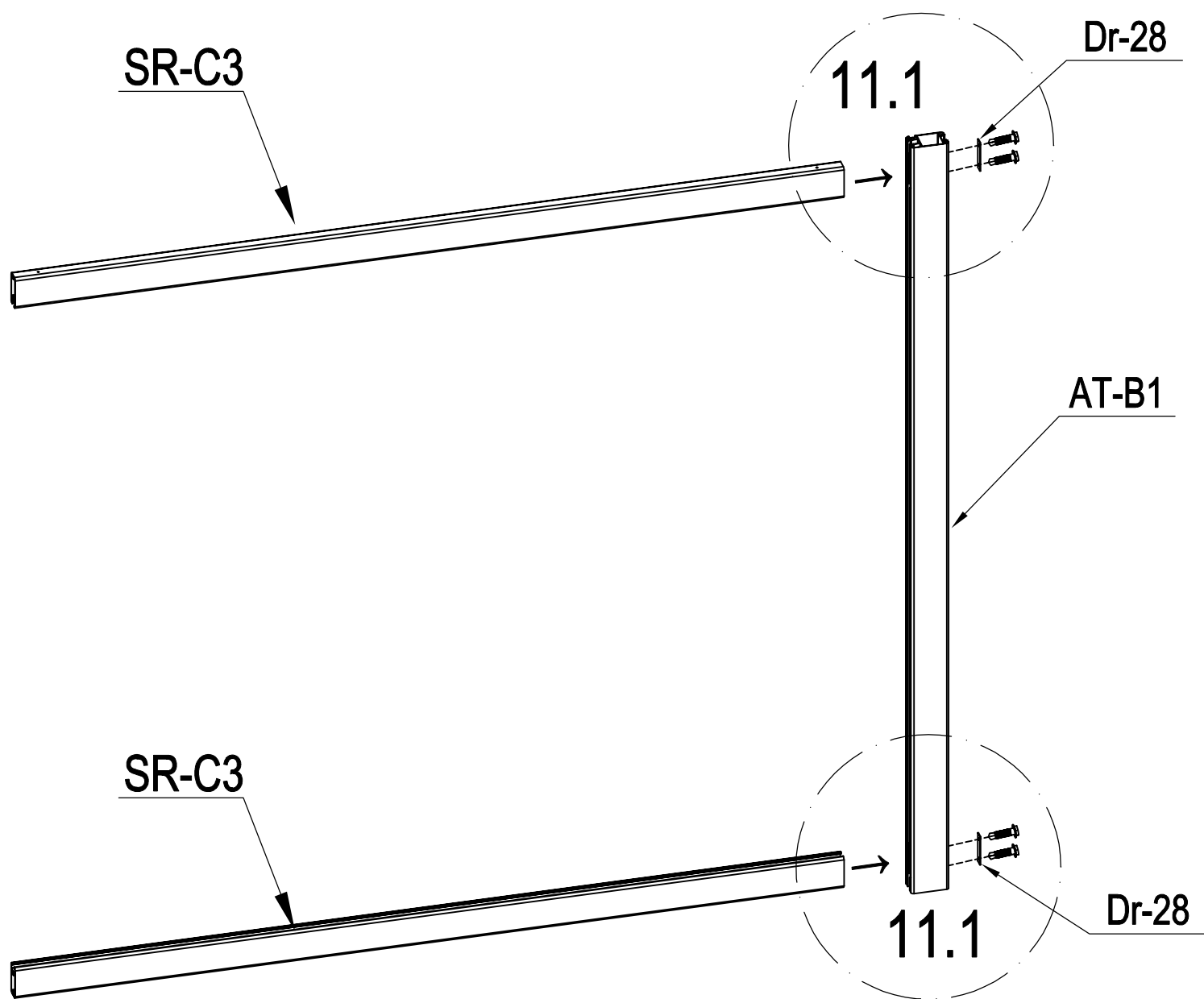


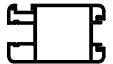
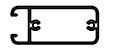


	AT-10	2
	Dr-24	2
	AT-7	2
	Dr-13	1

	Dr-14	1
	CK-L30	2
	CK-L31	2

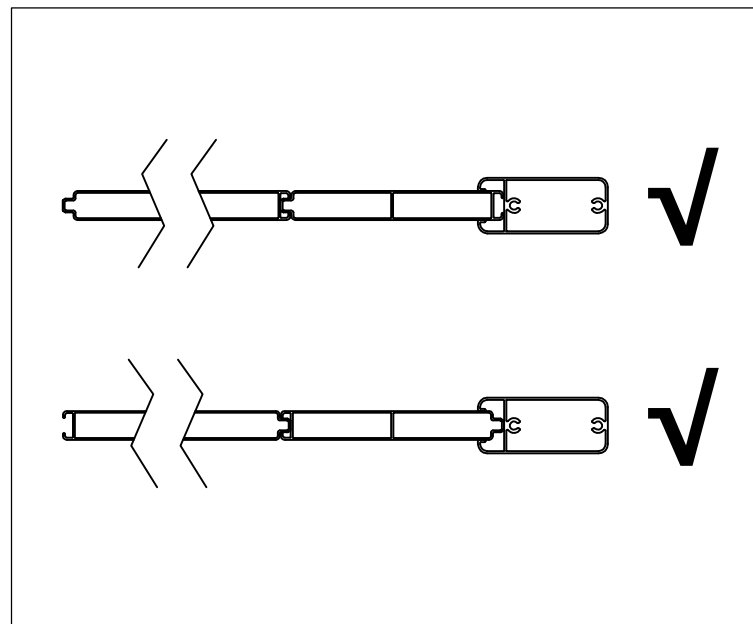
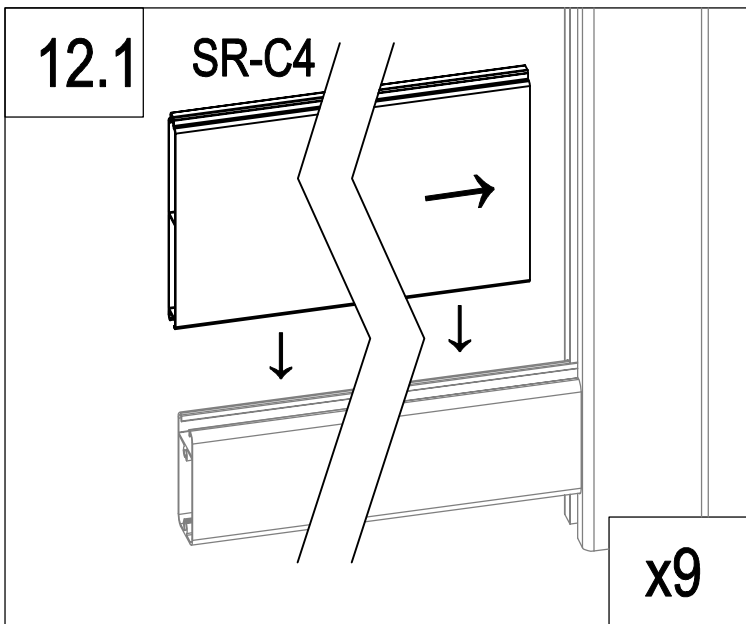
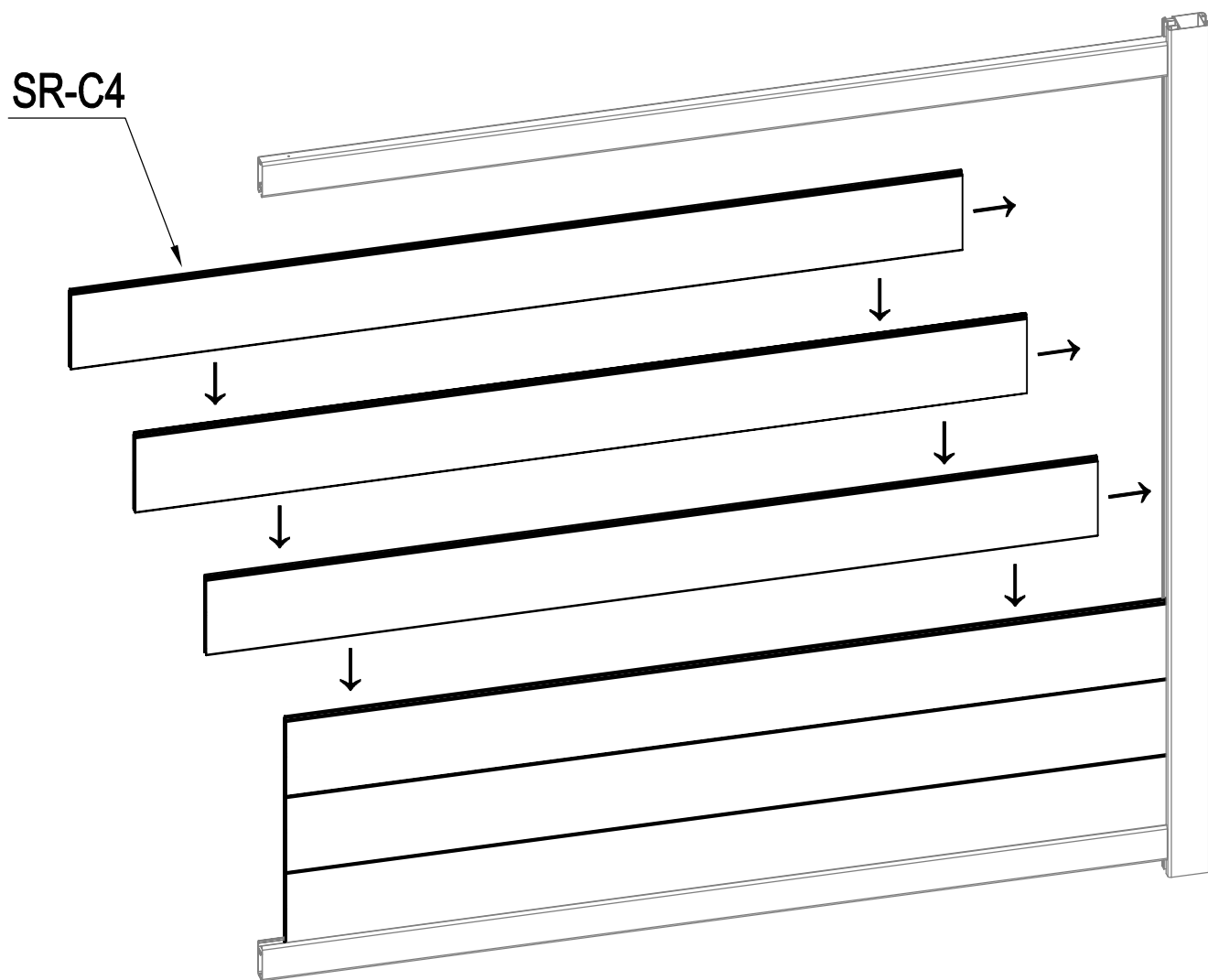


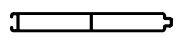
	Dr-23	1
	Dr-26	3

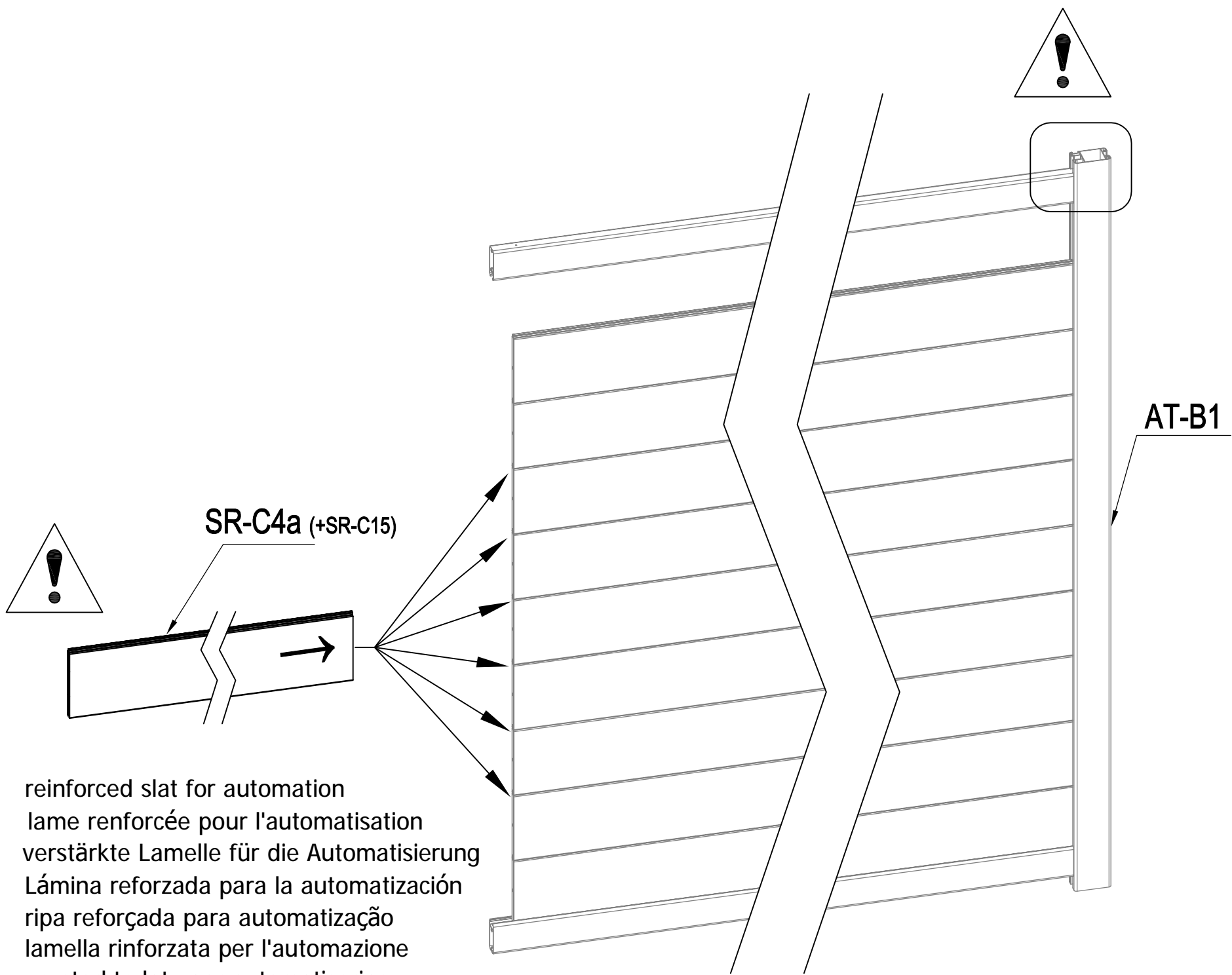


	AT-B1	1
	SR-C3	2
	Dr-28	2
	CK-L33	4

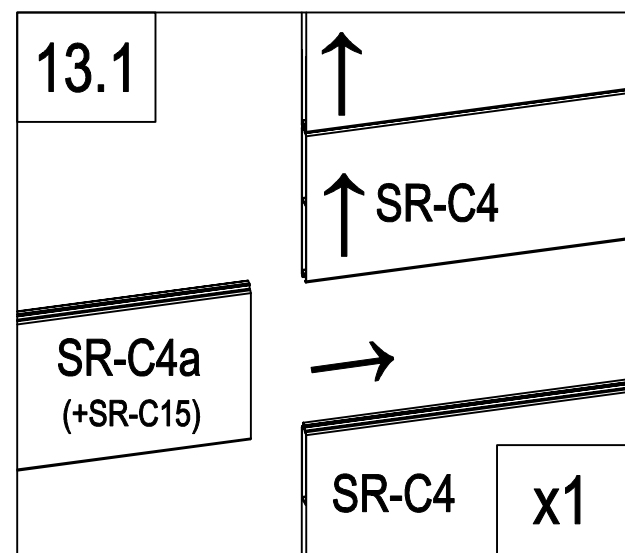
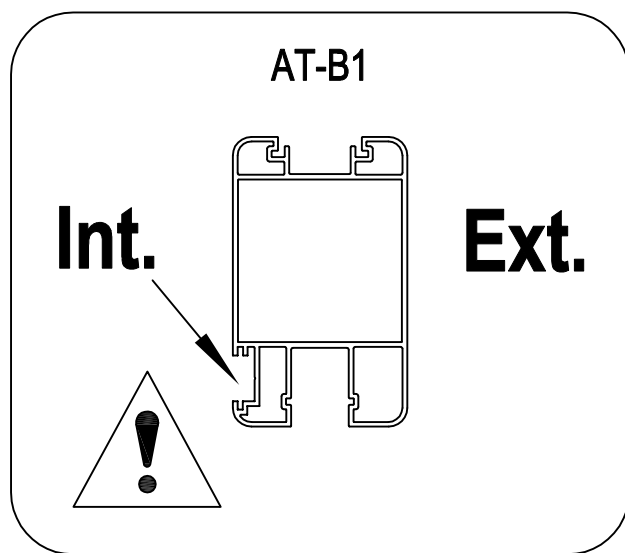
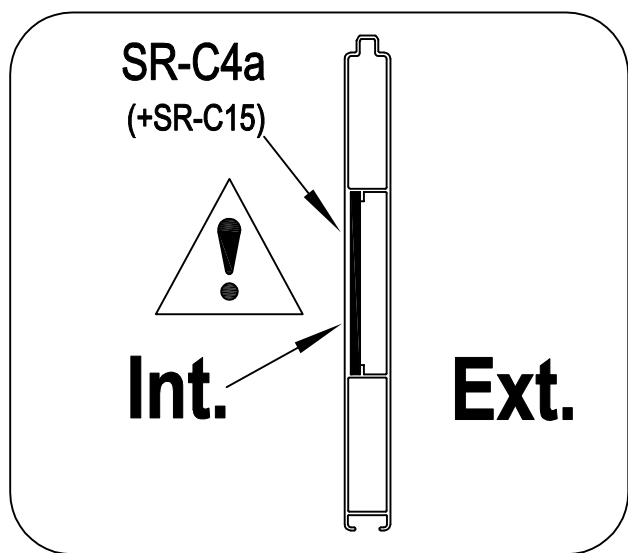





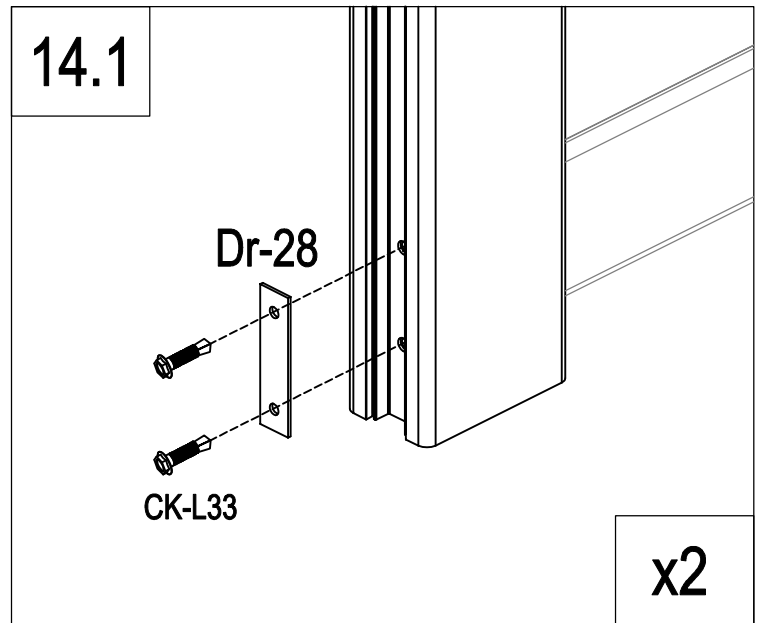
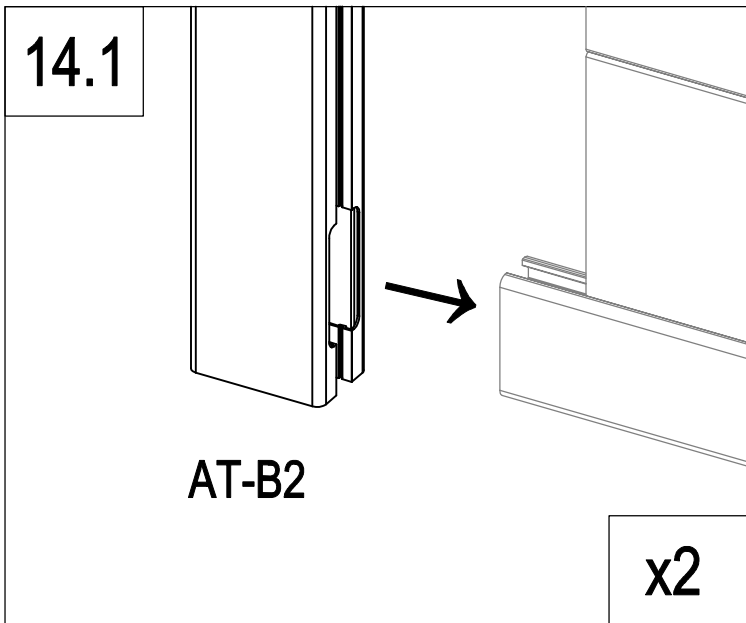
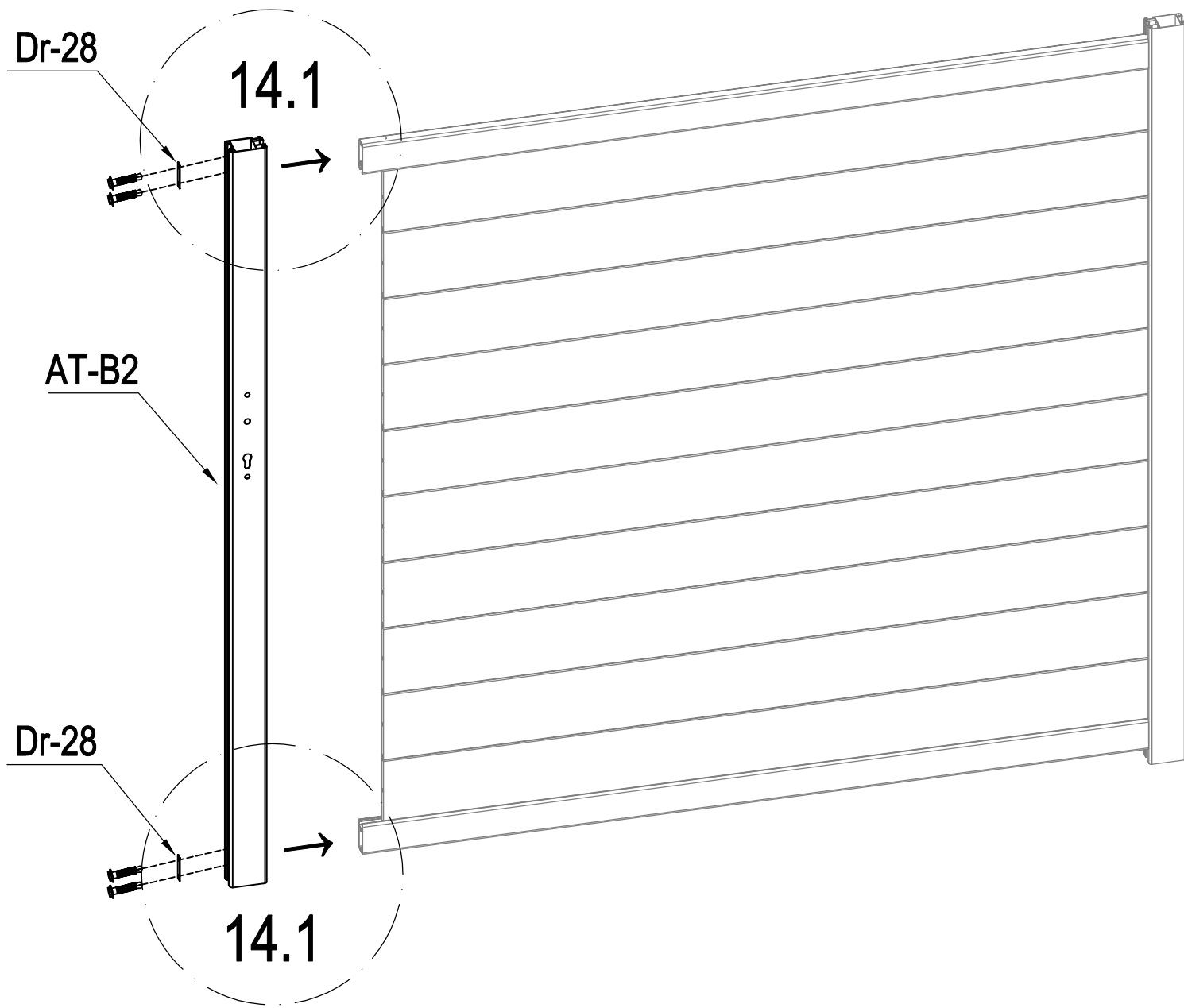
	SR-C4	9
---	-------	---

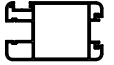
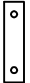



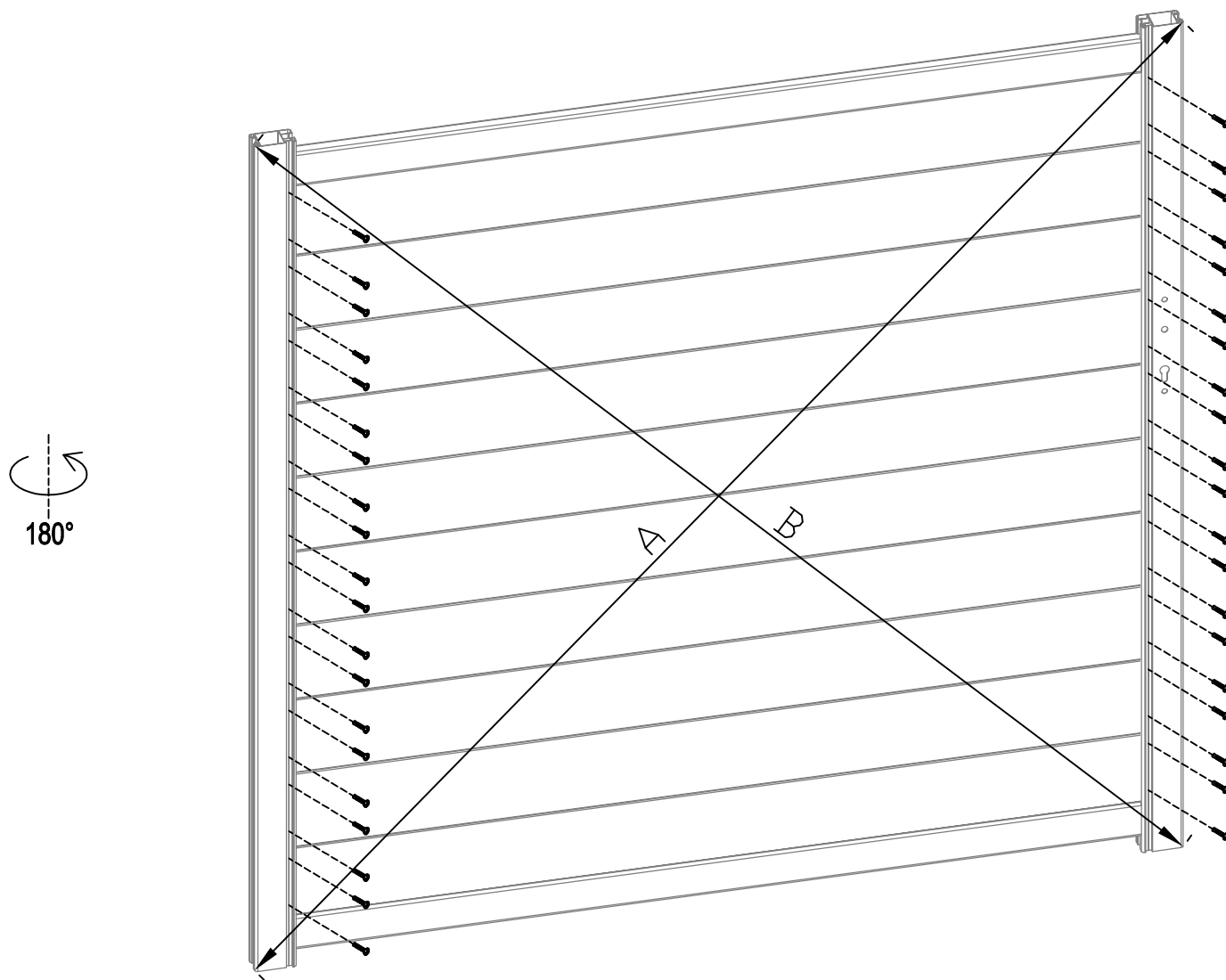
- EN: reinforced slat for automation
- FR: lame renforcée pour l'automatisation
- DE: verstärkte Lamelle für die Automatisierung
- ES: Lámina reforzada para la automatización
- PT: ripa reforçada para automatização
- IT: lamella rinforzata per l'automazione
- NL: versterkte lat voor automatisering
- PL: wzmocniona listwa do automatyzacji



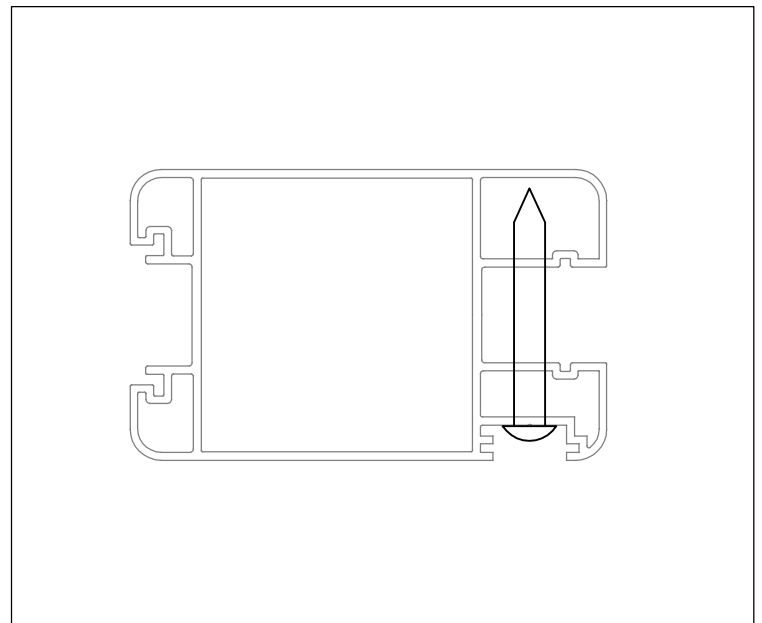
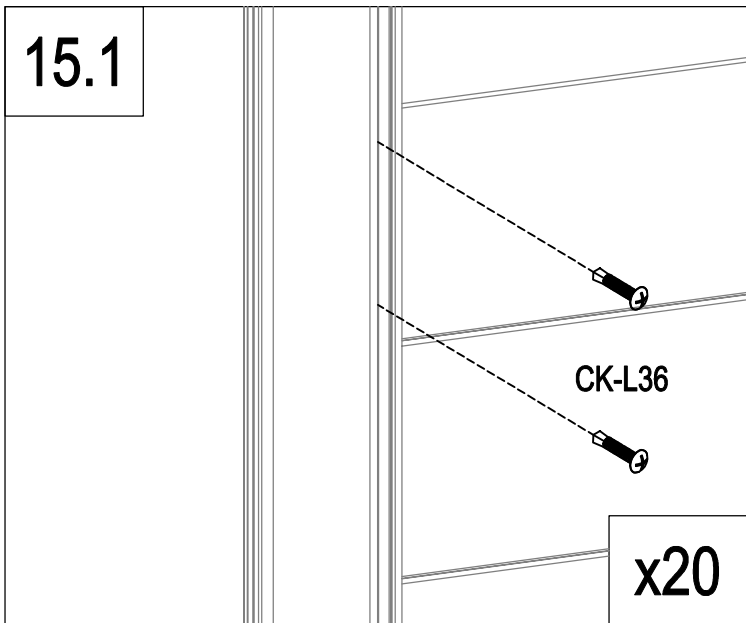
	SR-C4a (+SR-C15)	1
---	------------------	---




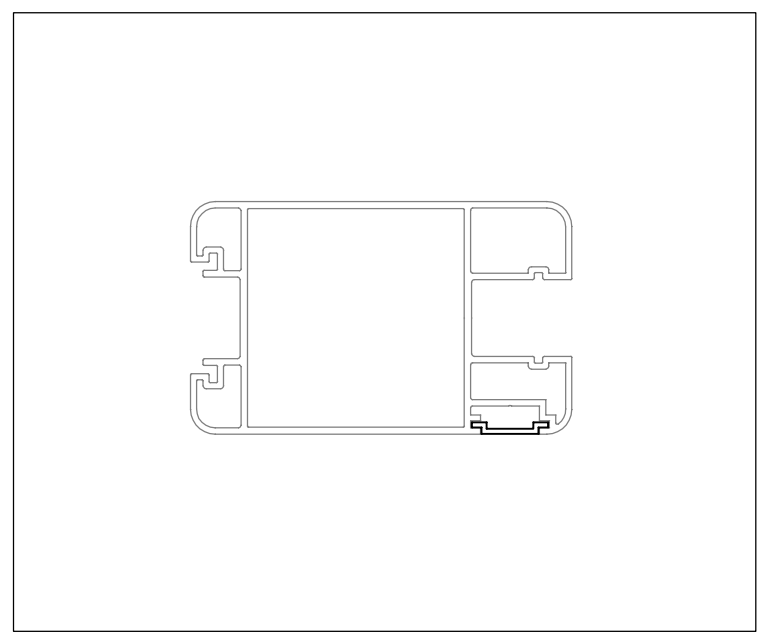
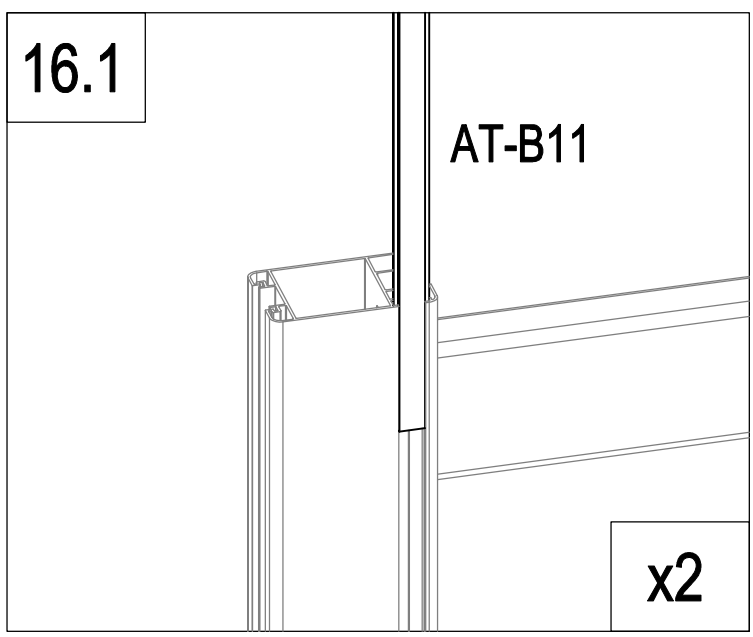
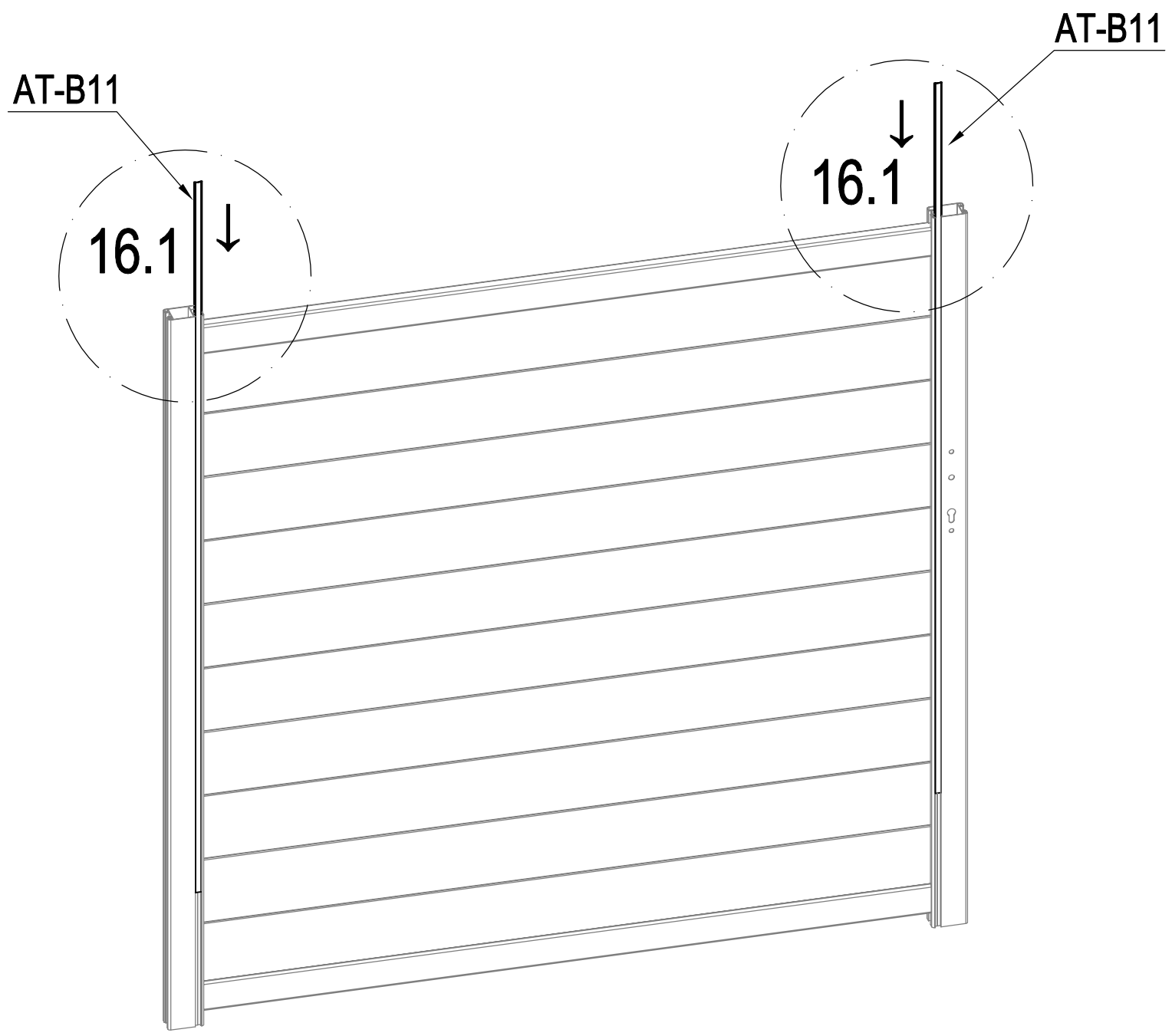
	AT-B2	1
	Dr-28	2
	CK-L33	4

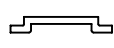


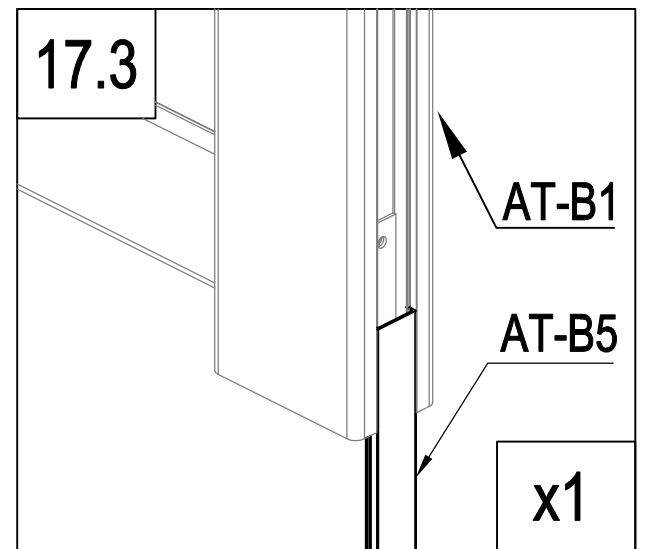
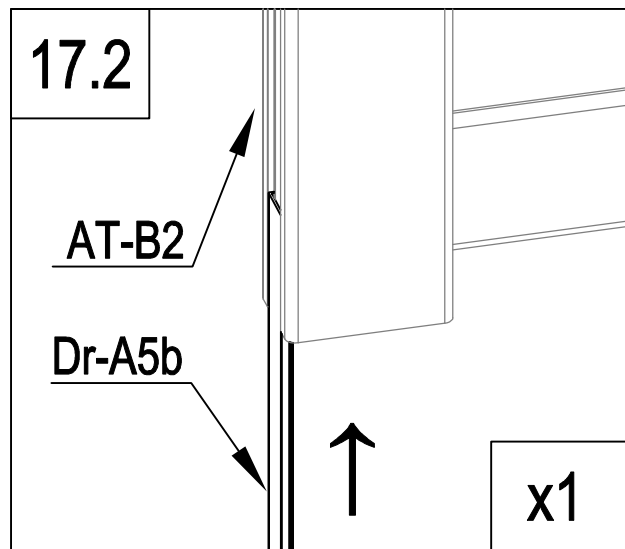
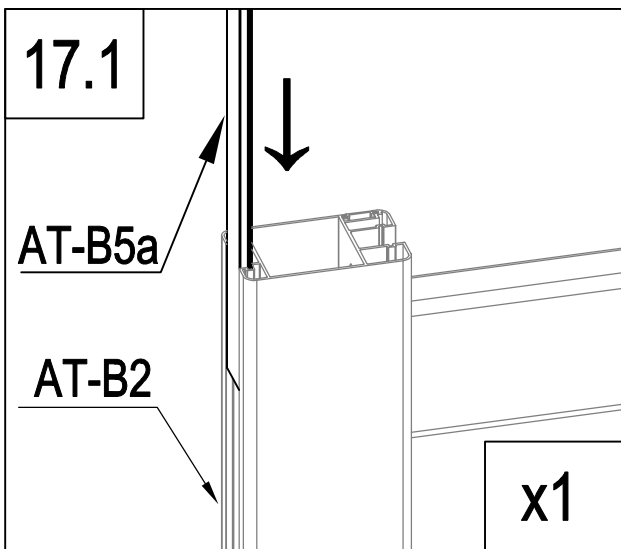
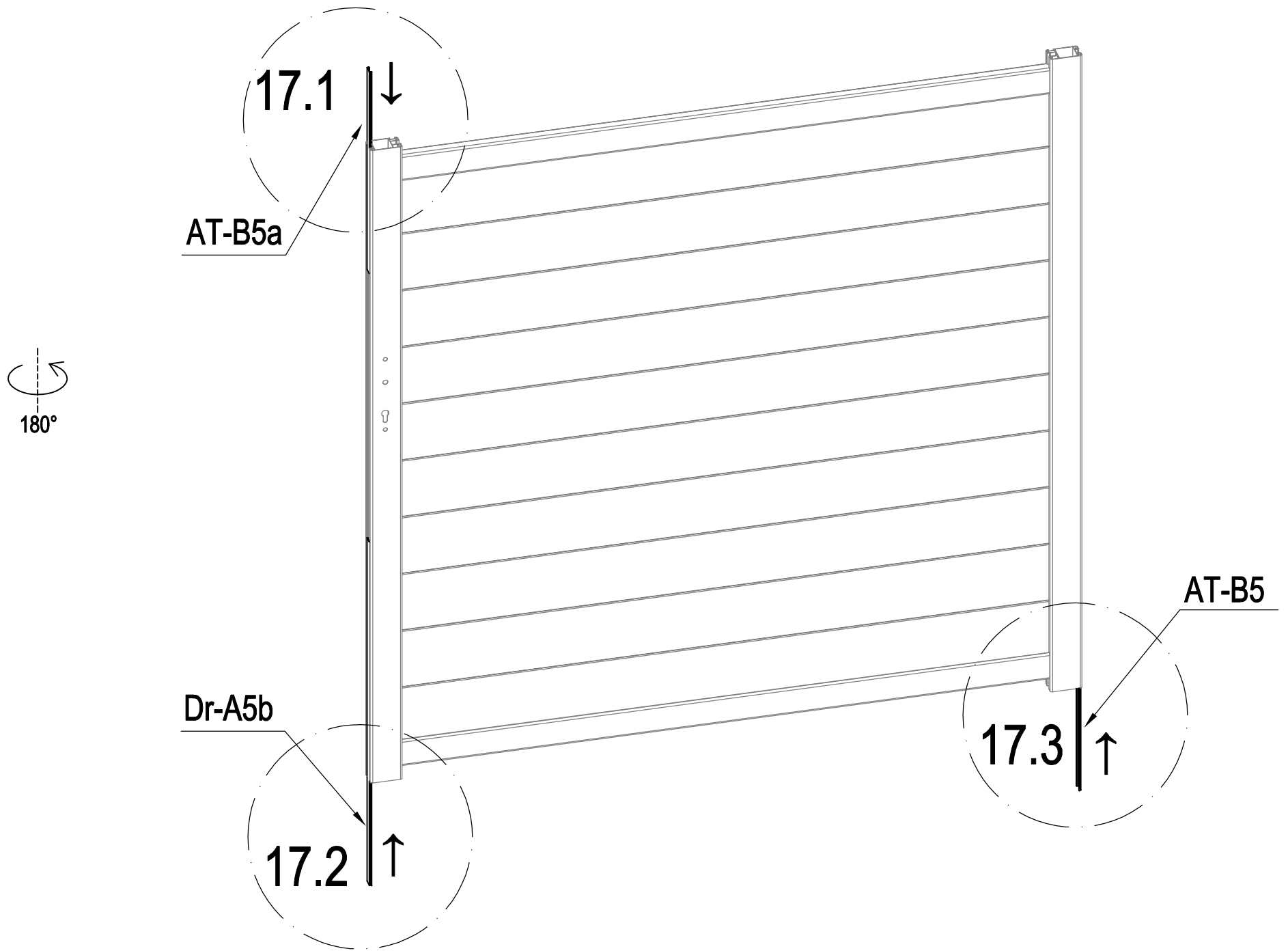
A=B



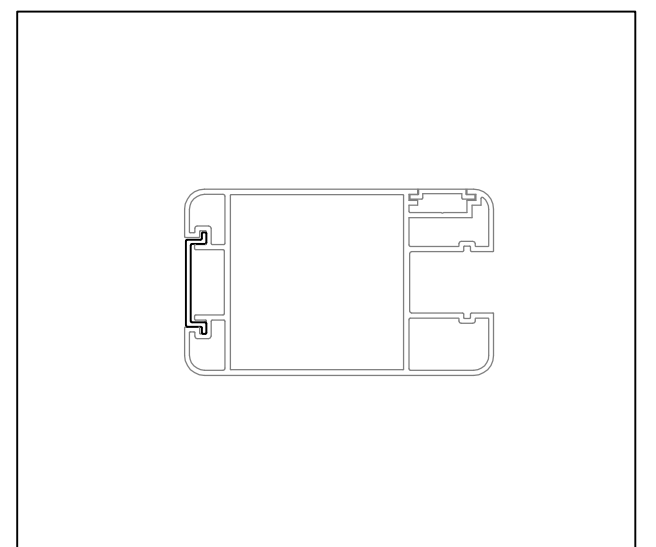
	<p>CK-L36</p>	<p>40</p>
---	---------------	-----------

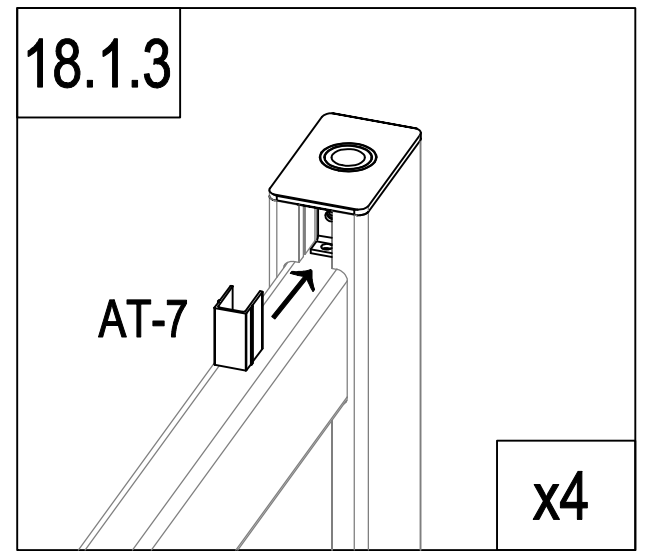
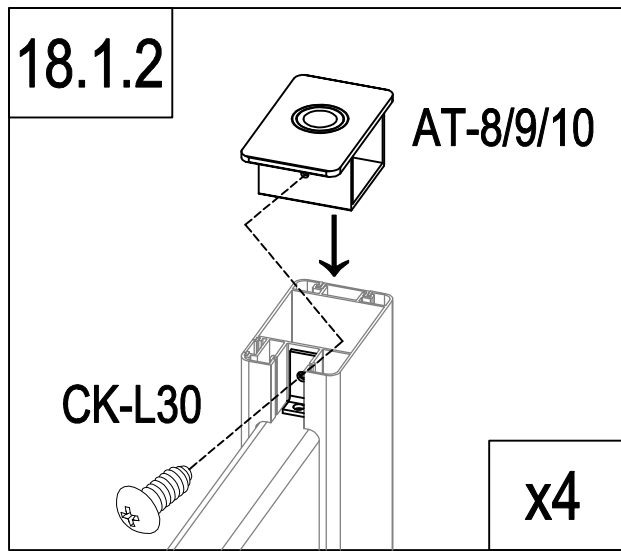
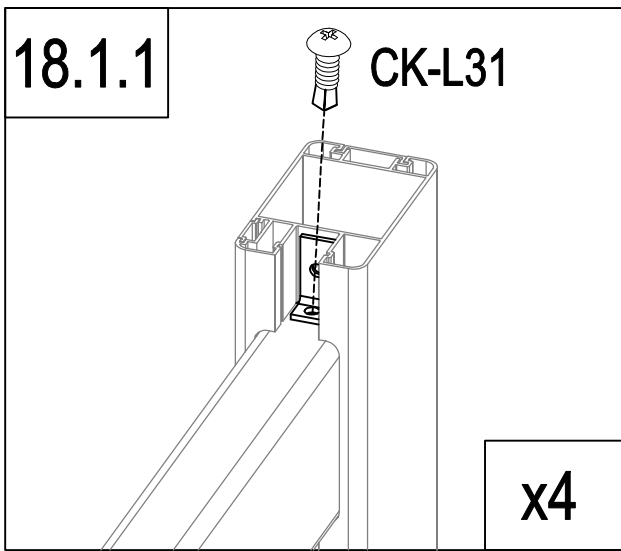
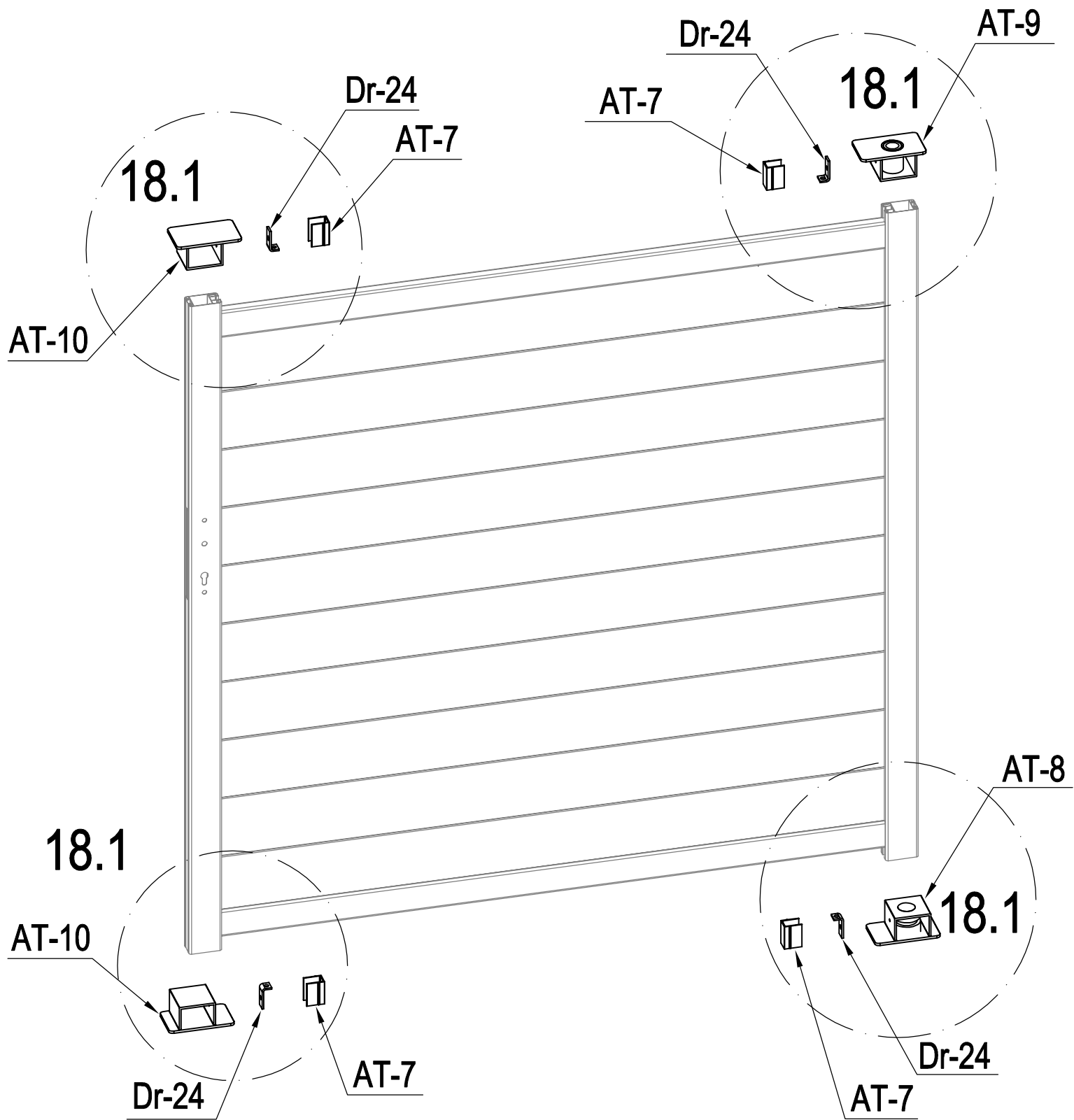


	AT-B11	2
---	--------	---



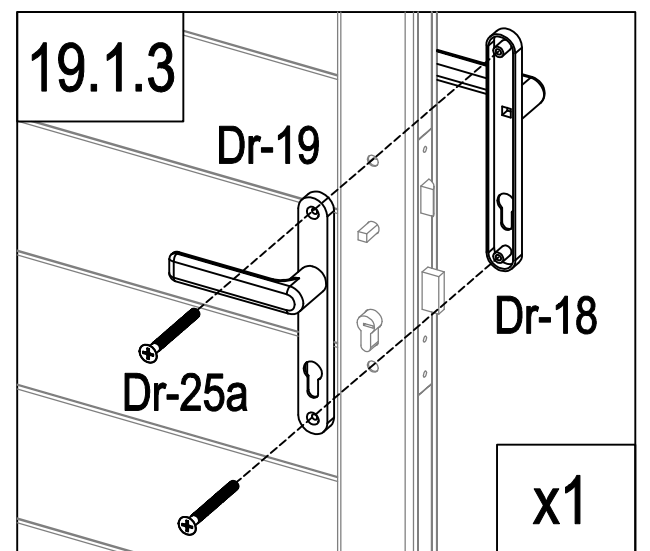
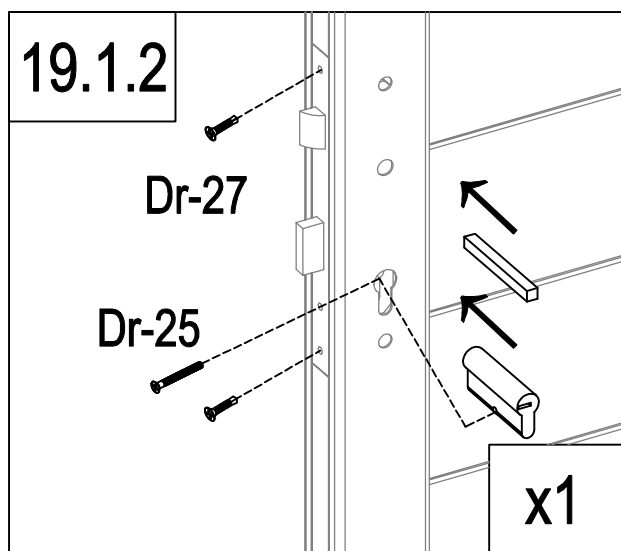
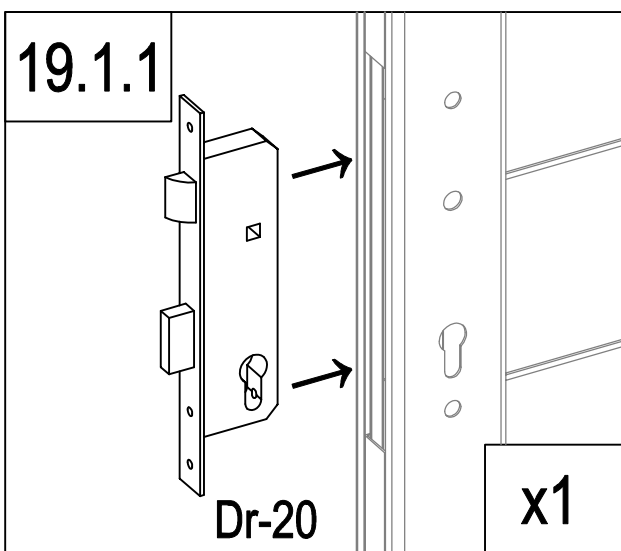
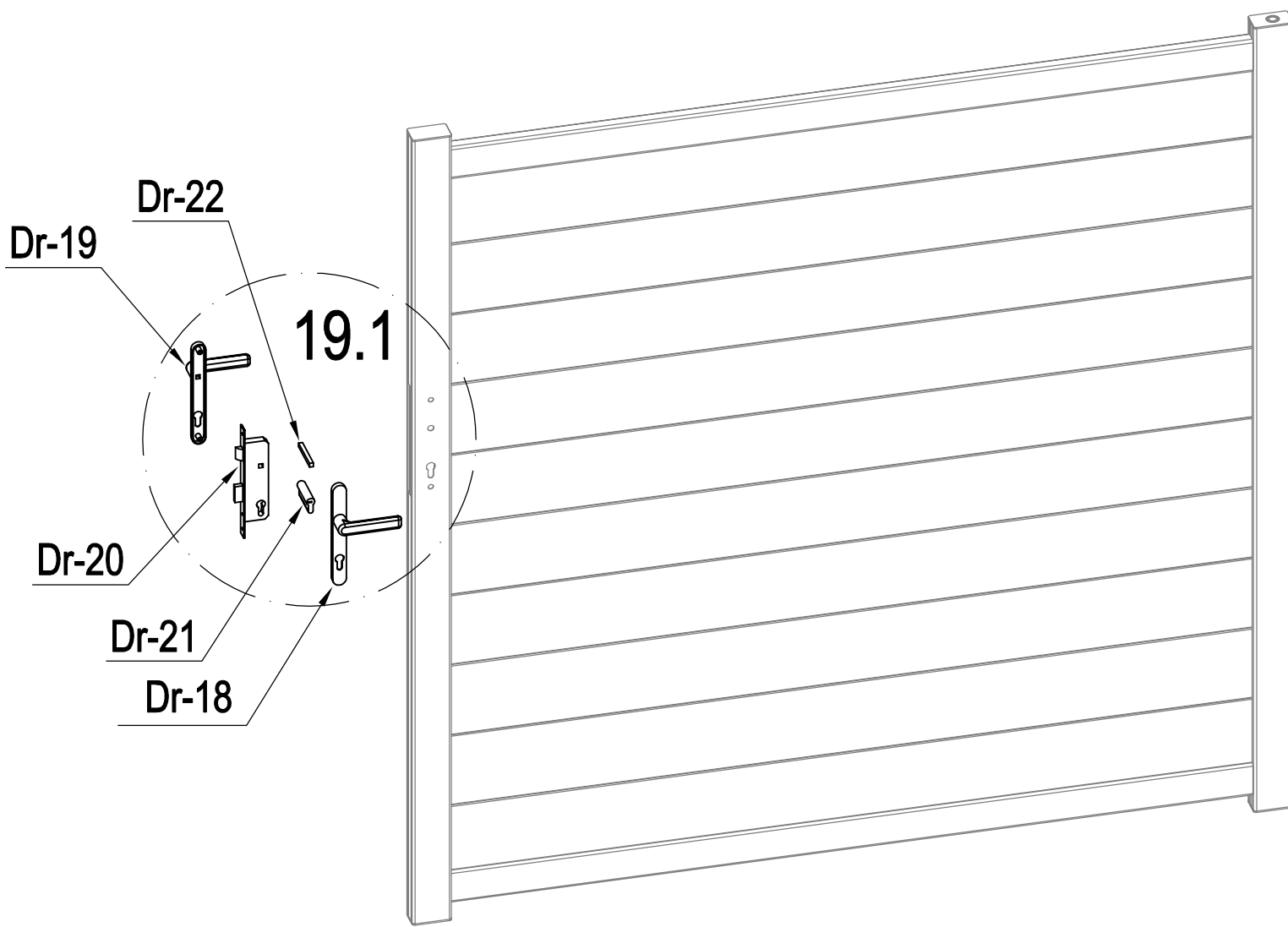
	AT-B5	1
	AT-B5a	1
	Dr-A5b	1





	AT-8	1
	AT-9	1
	AT-10	2
	Dr-24	4

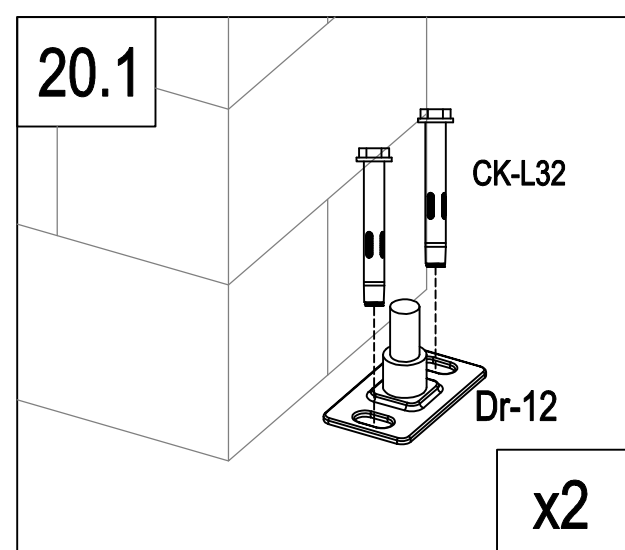
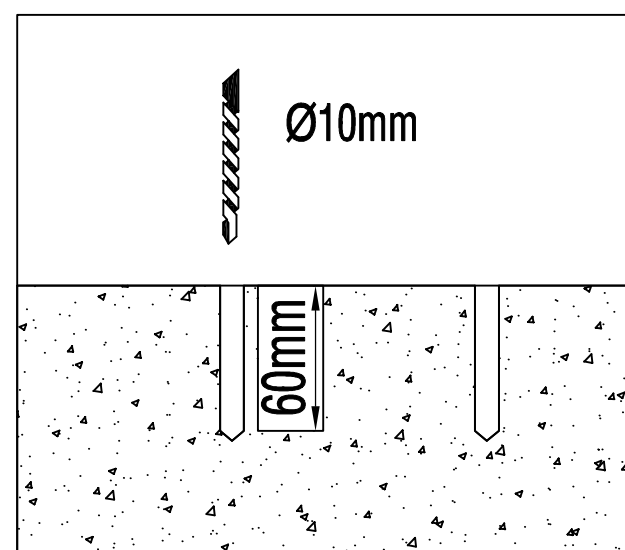
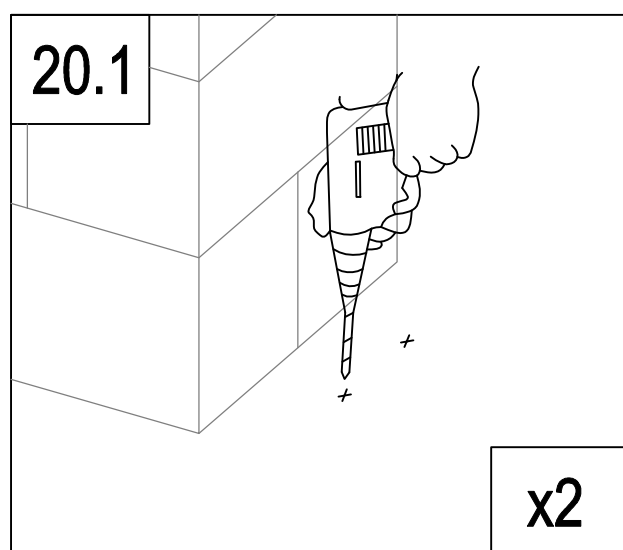
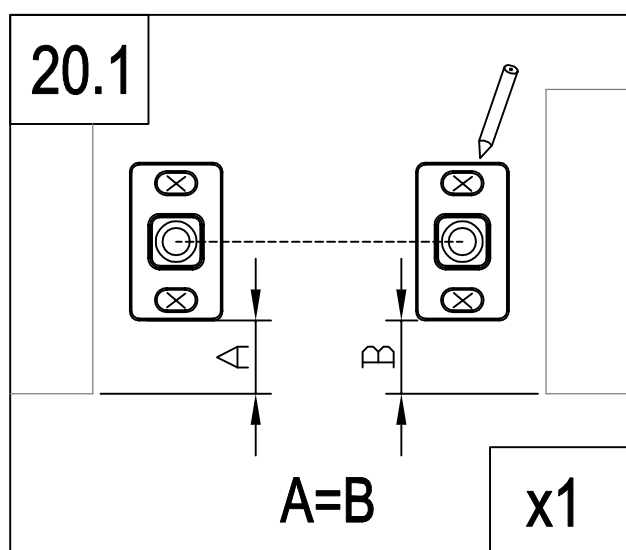
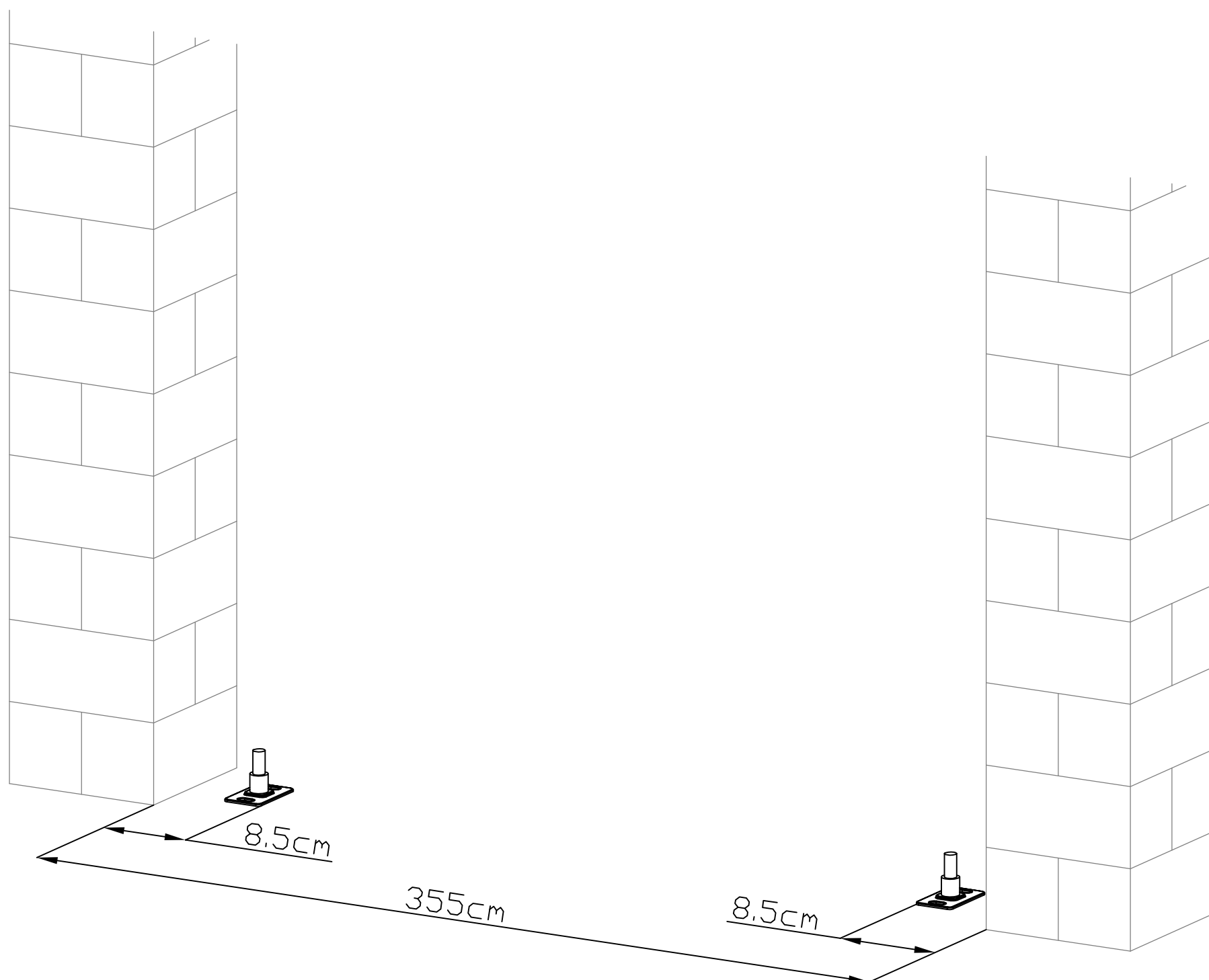
	AT-7	4
	CK-L30	4
	CK-L31	4



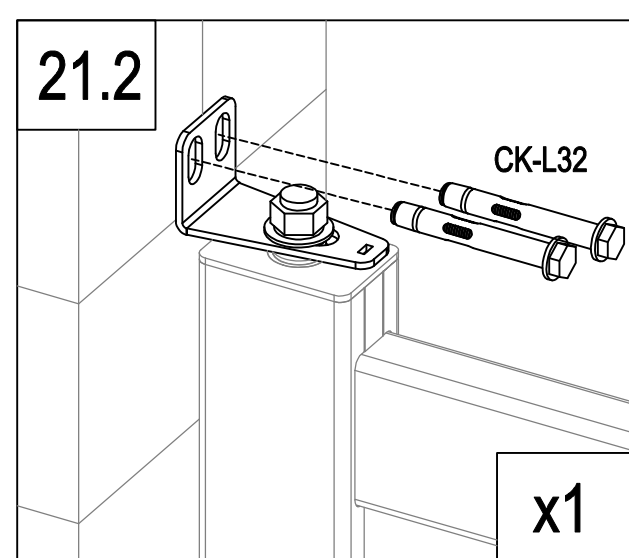
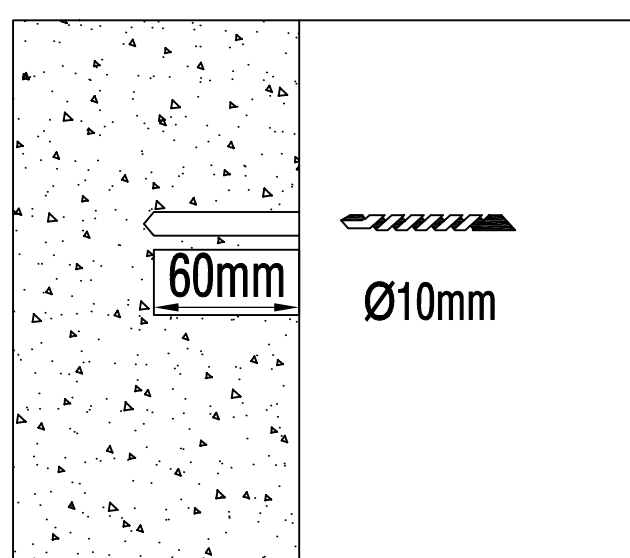
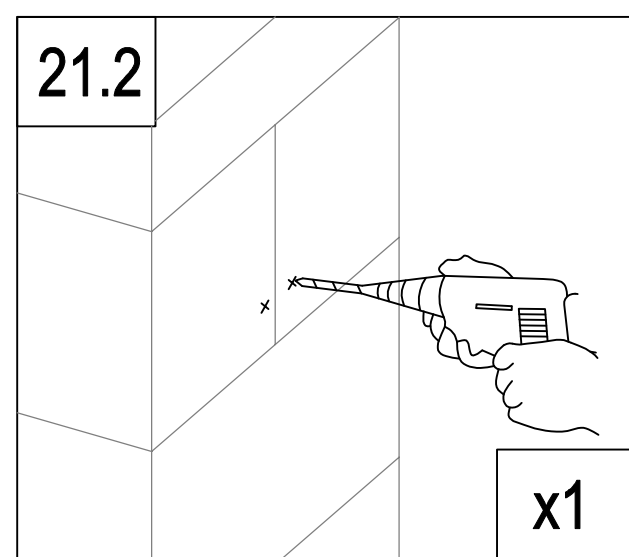
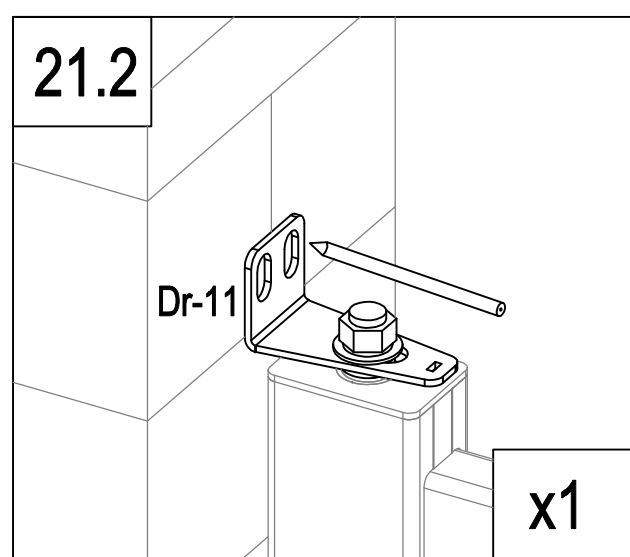
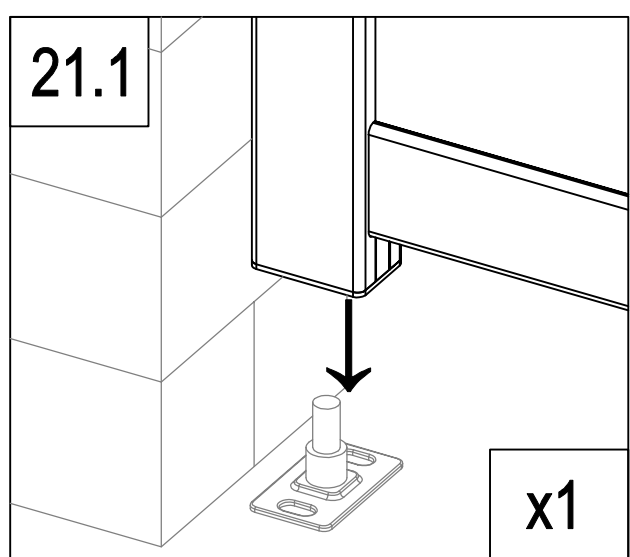
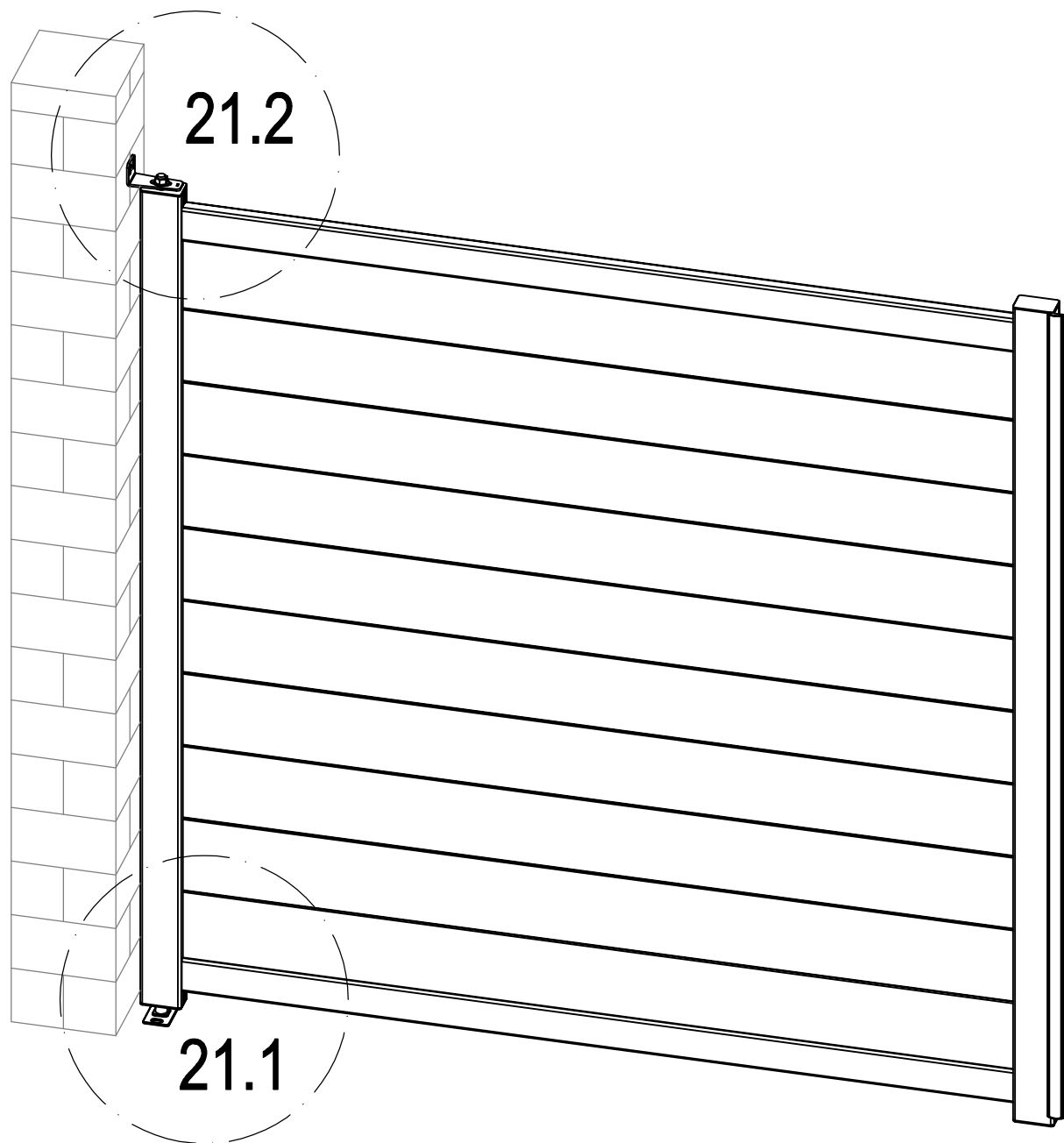
	Dr-20	1
	Dr-21	1
	Dr-22	1
	Dr-25	1

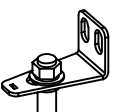

	Dr-18	1
	Dr-19	1
	Dr-25a	2
	Dr-27	2

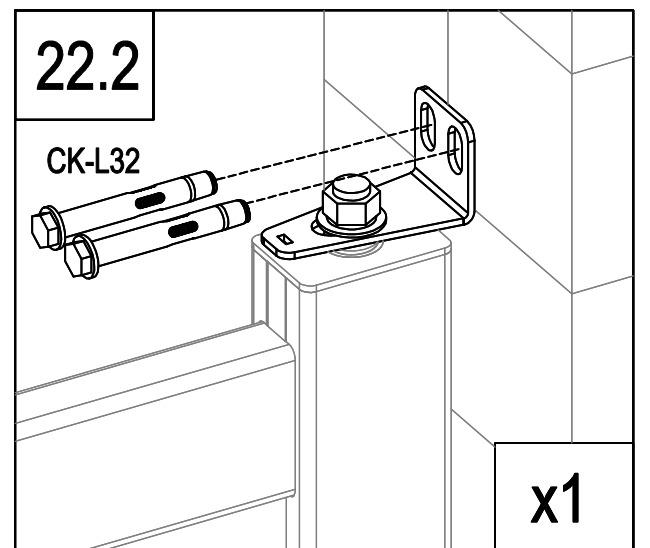
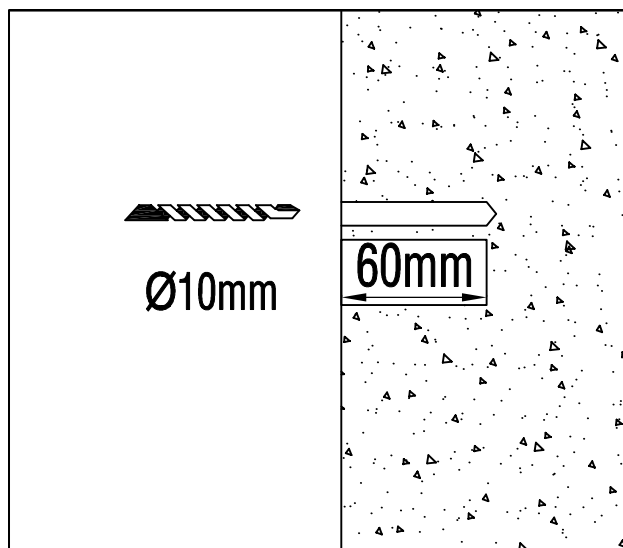
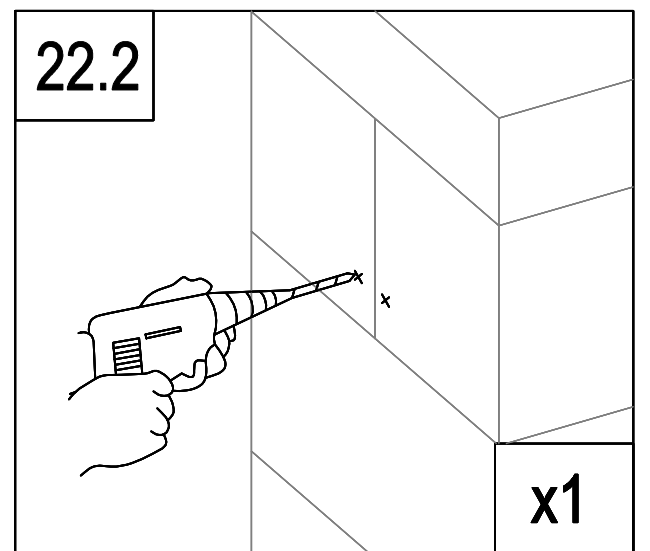
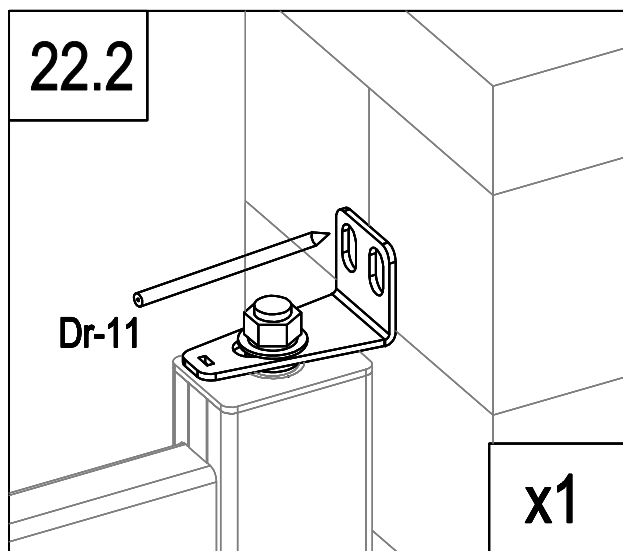
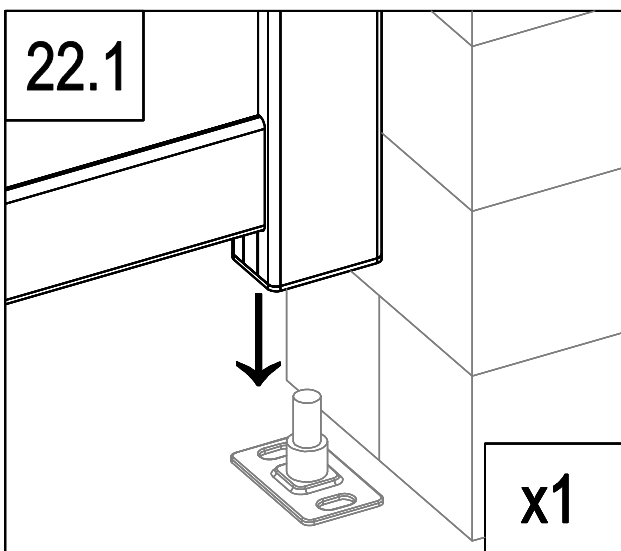
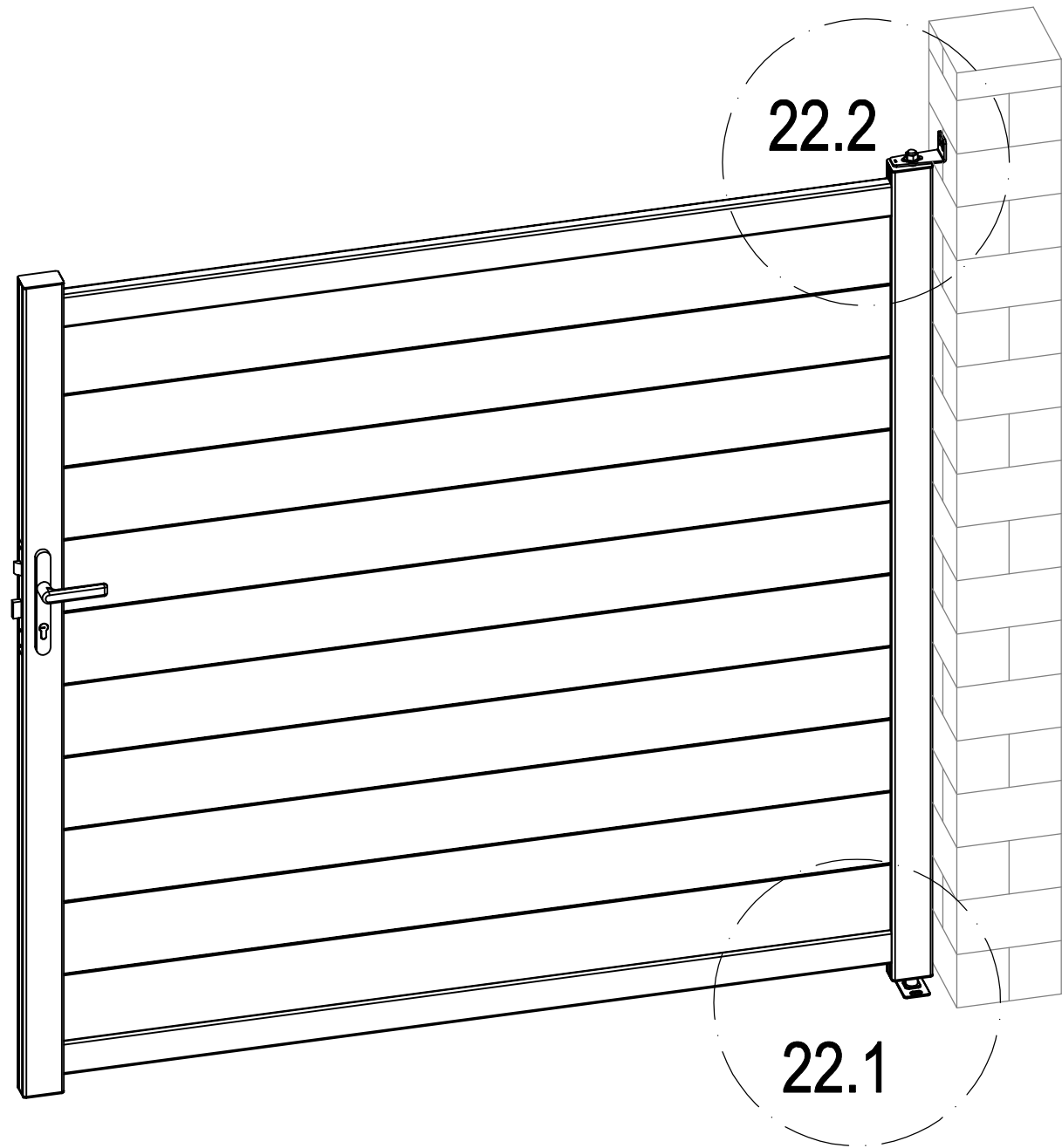






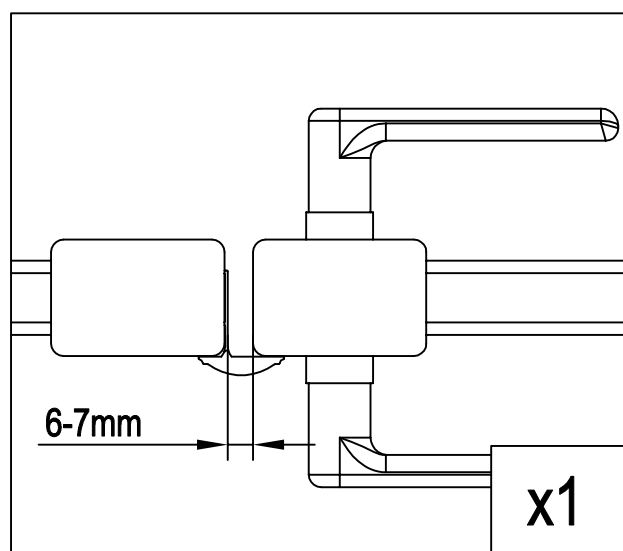
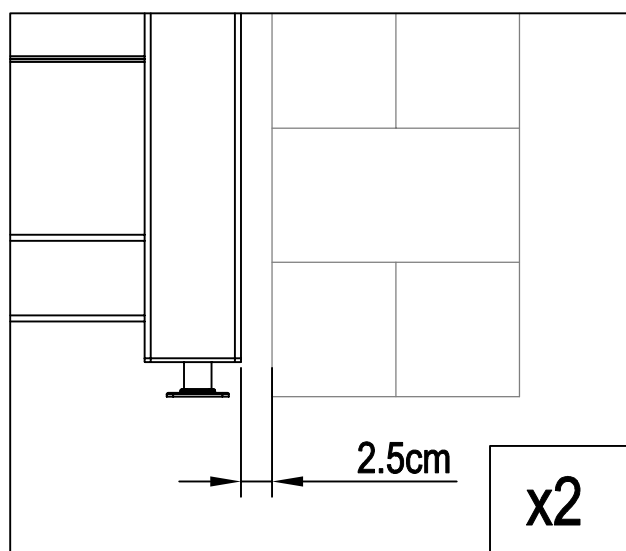
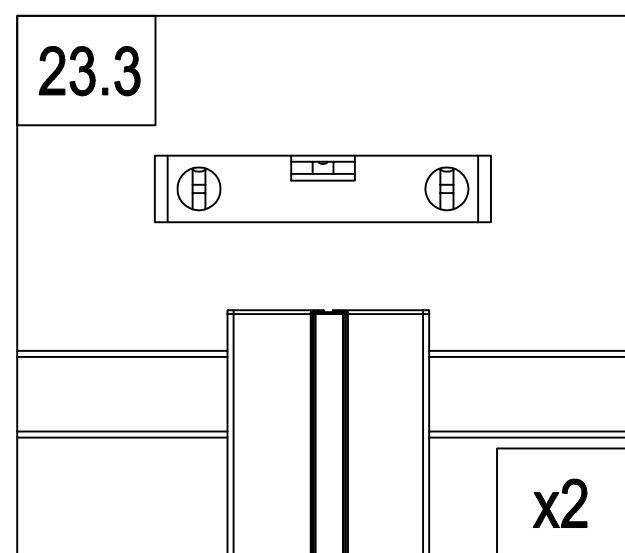
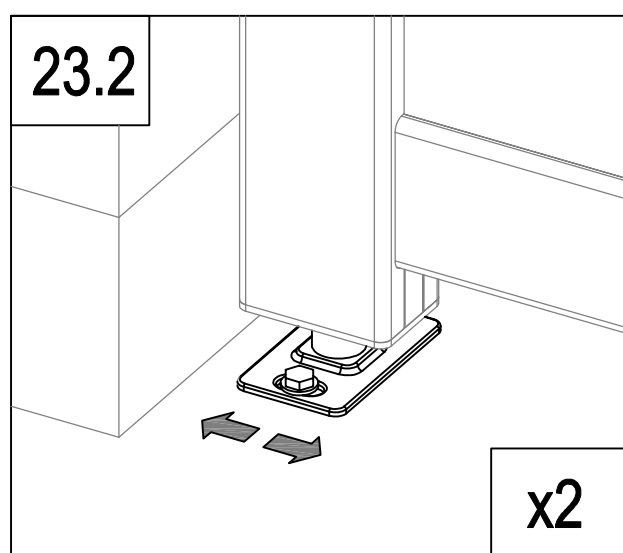
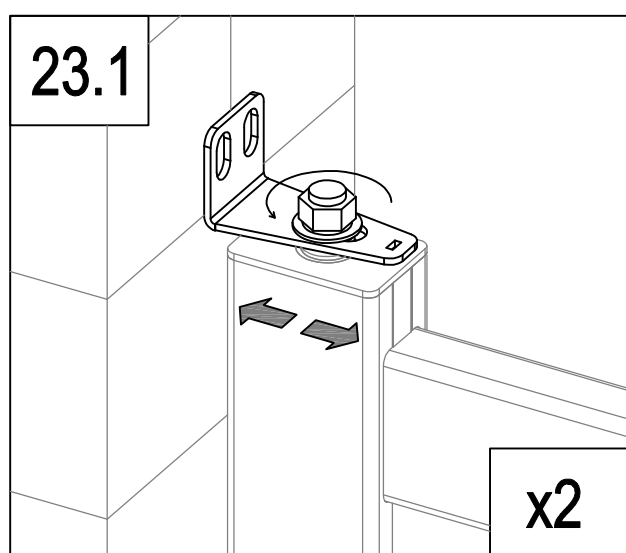
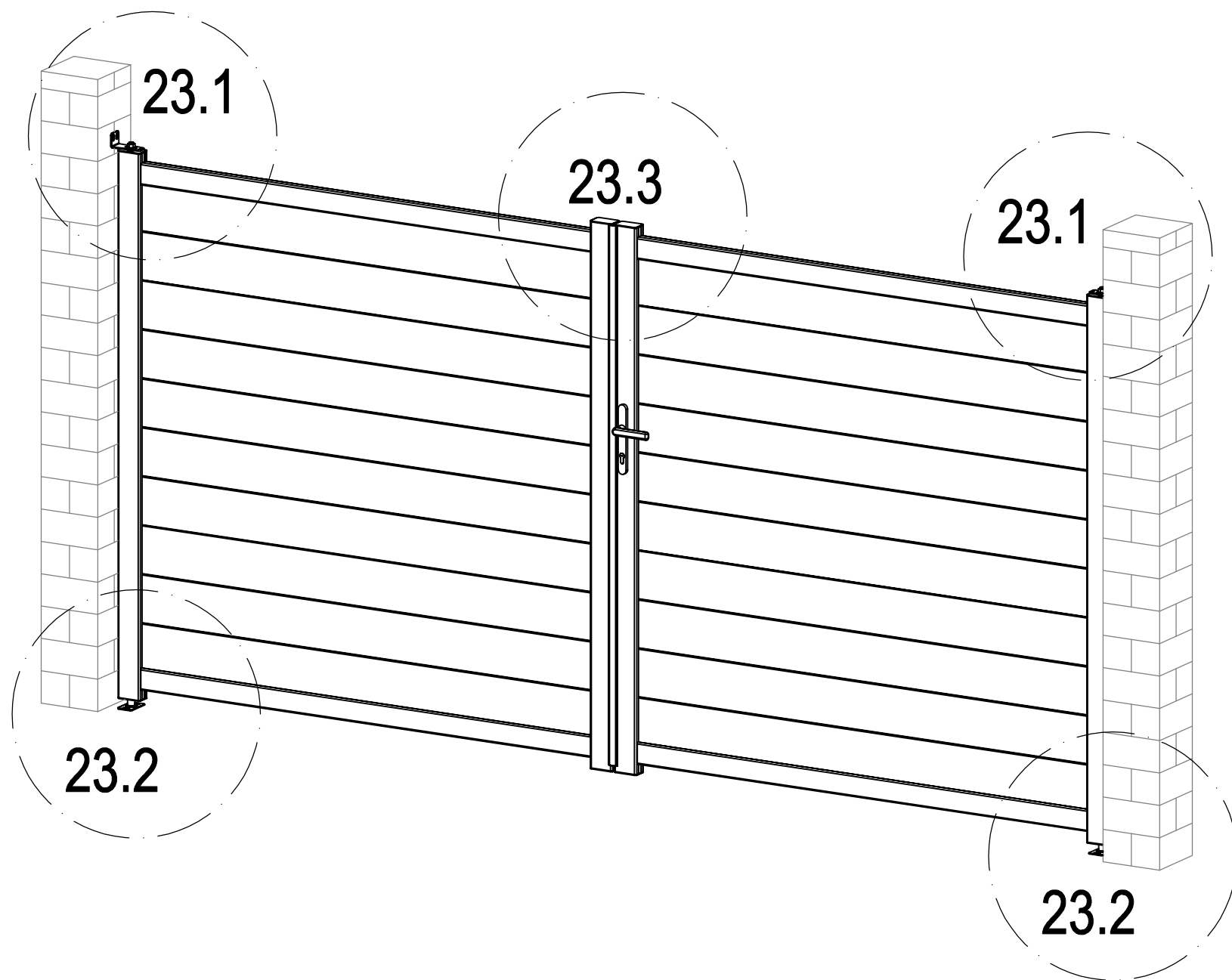
	Dr-12	2
	CK-L32	4

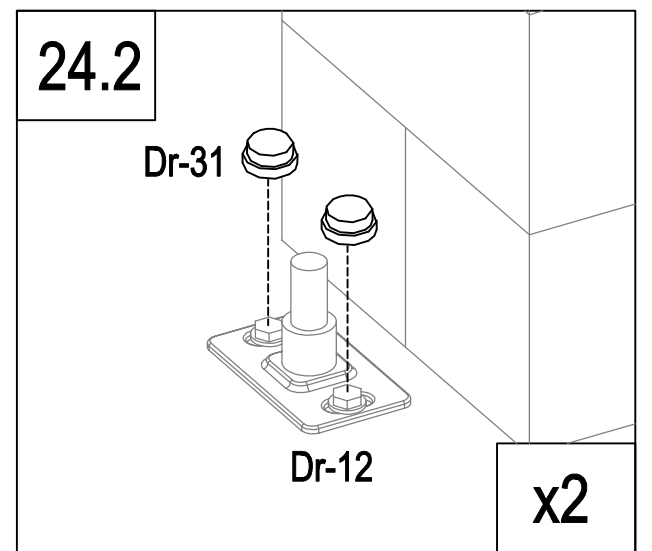
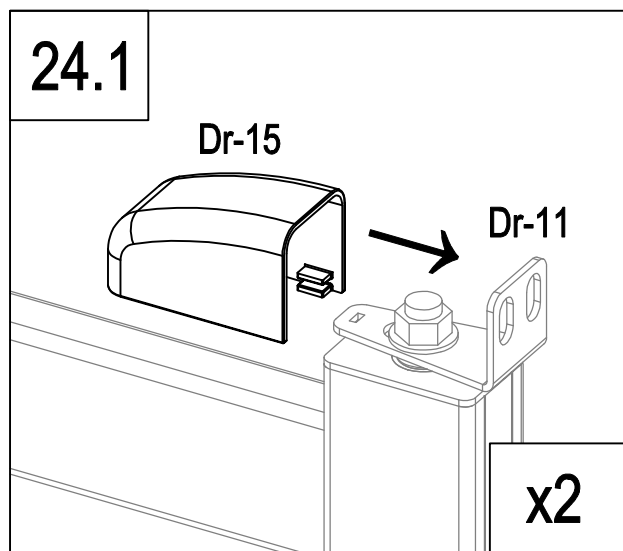
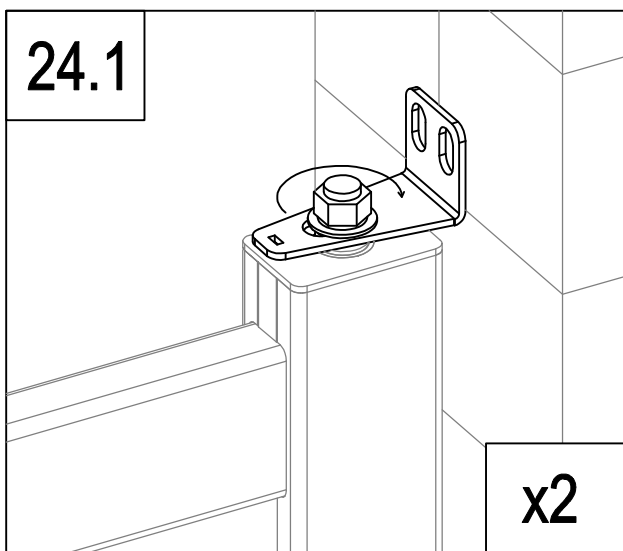
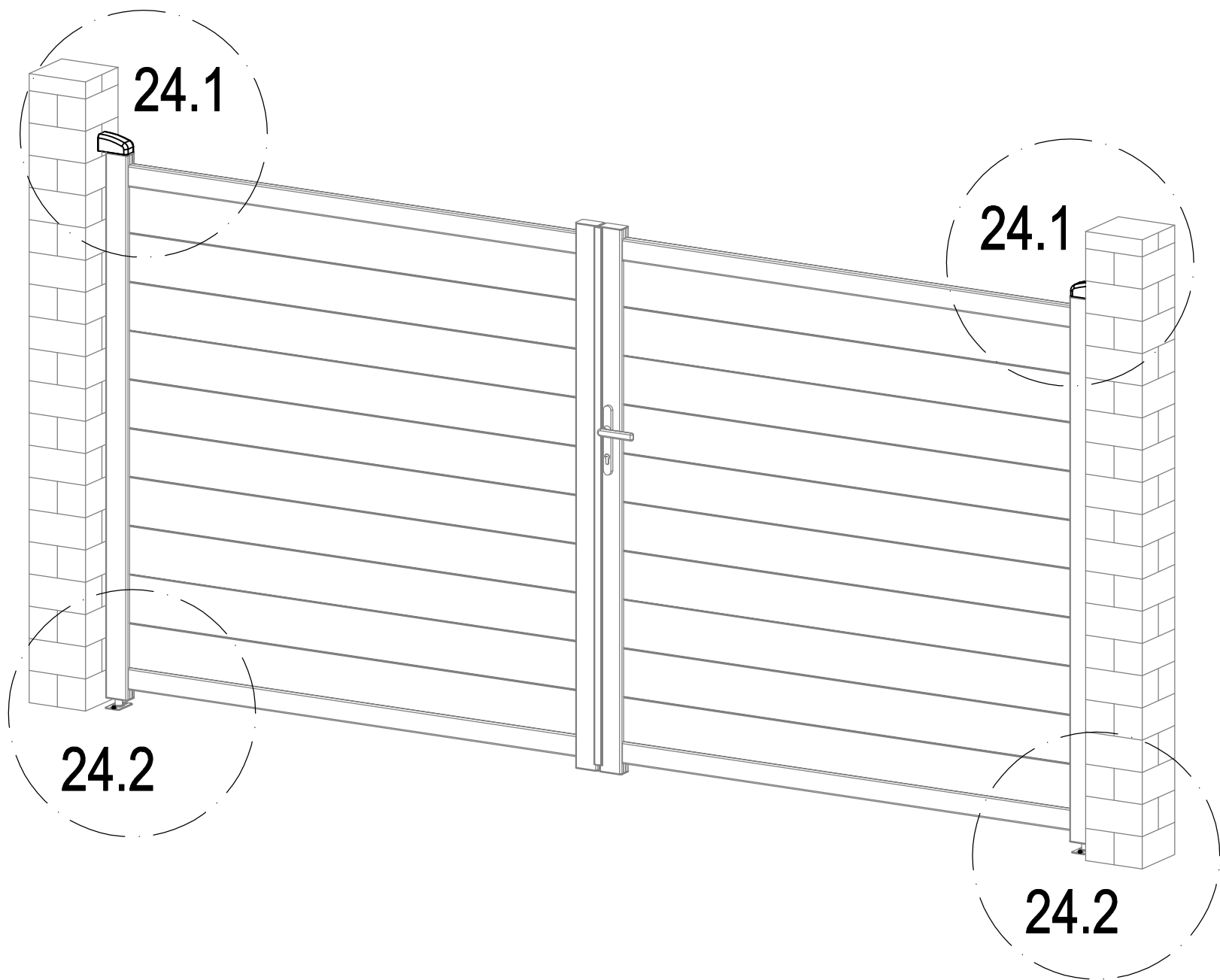


	Dr-11	1
	CK-L32	2

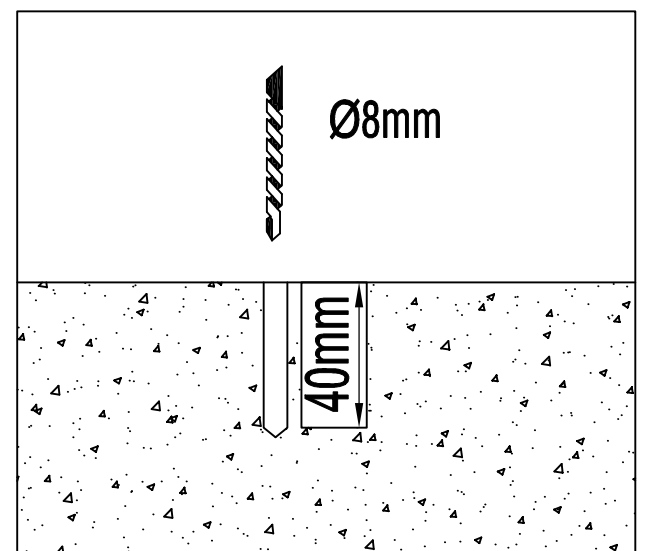
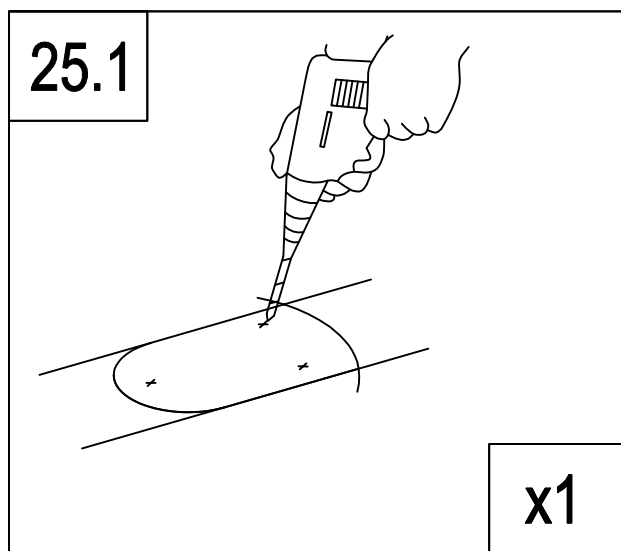
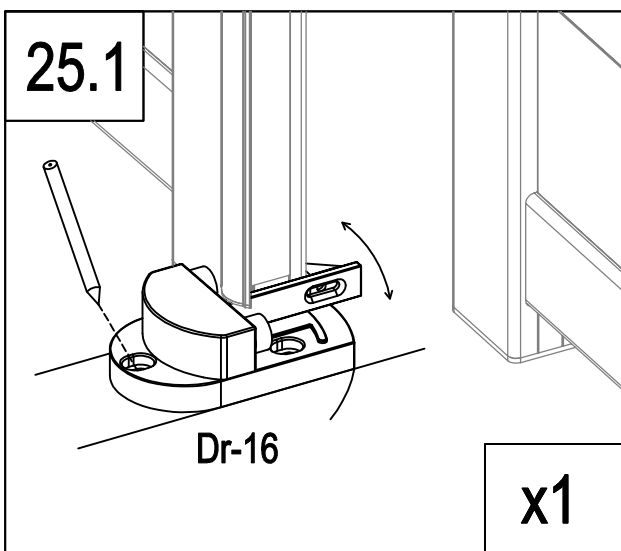
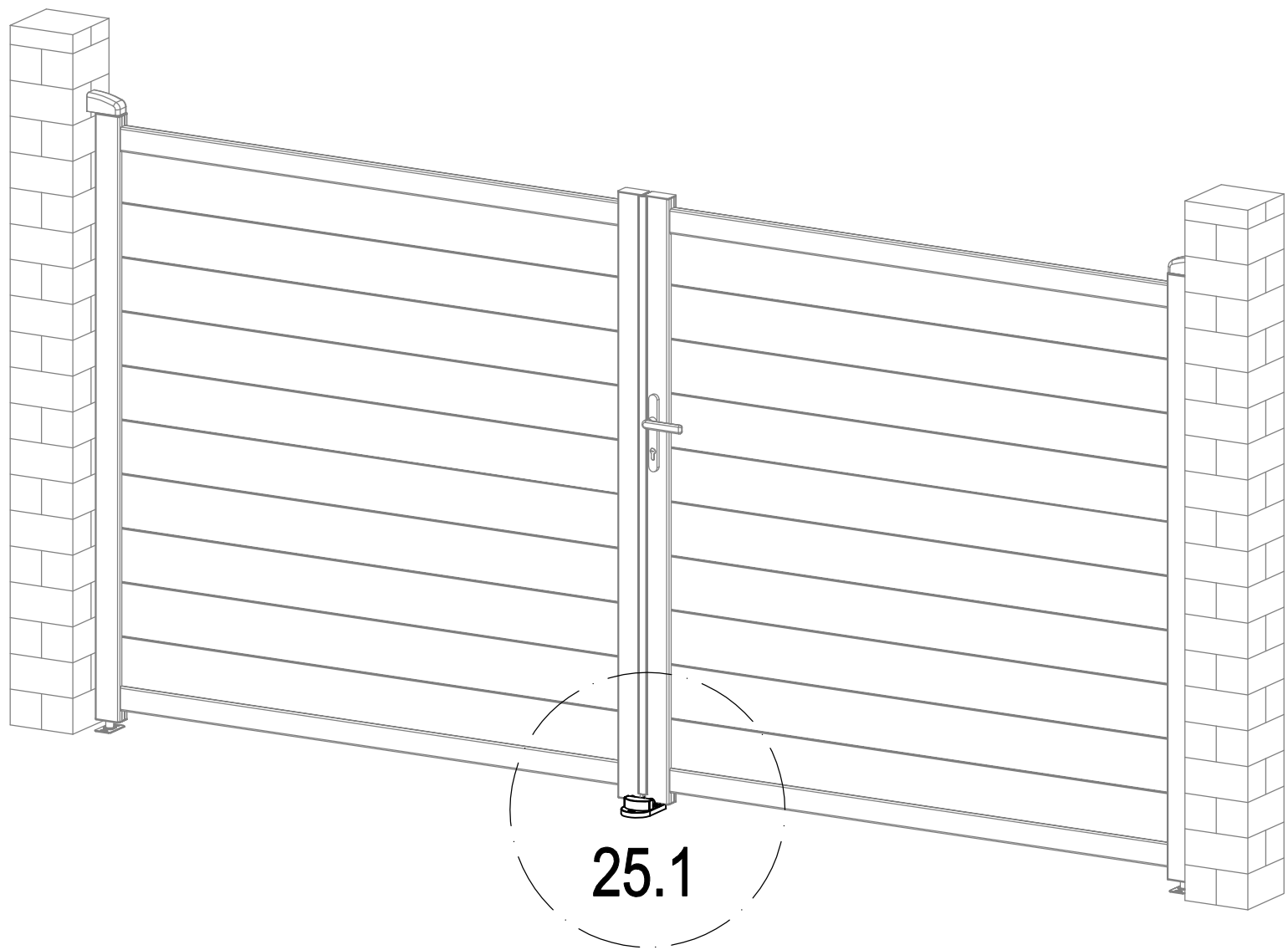


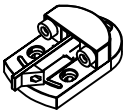


	Dr-11	1
	CK-L32	2

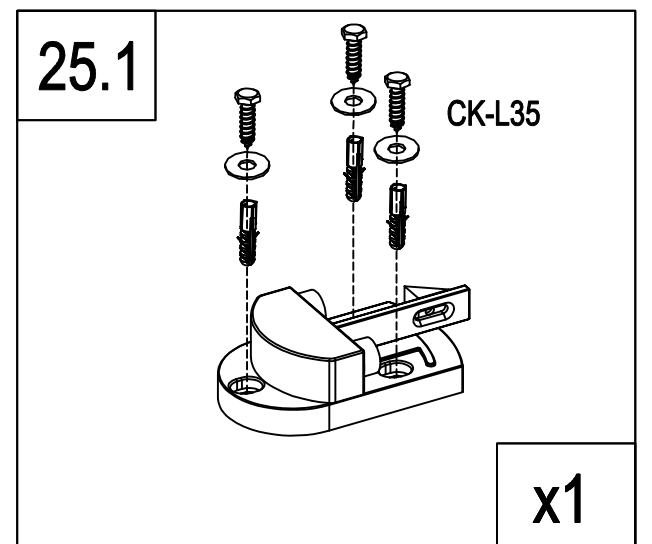


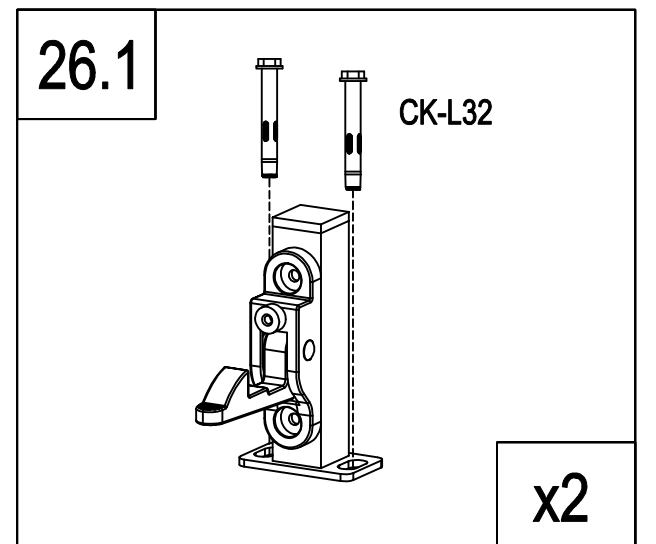
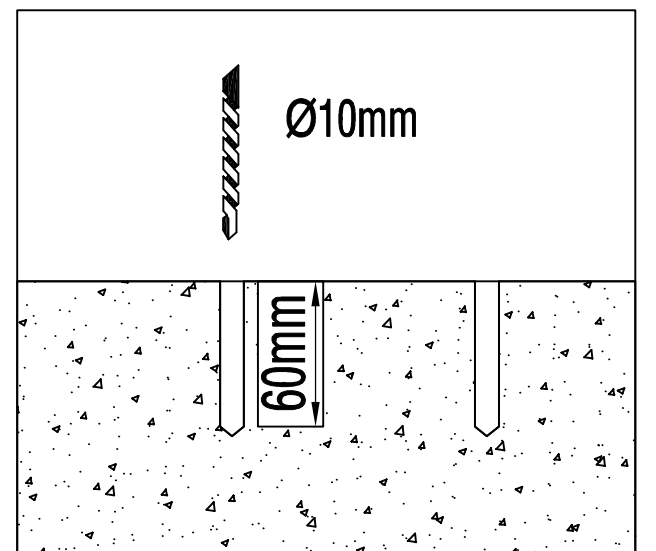
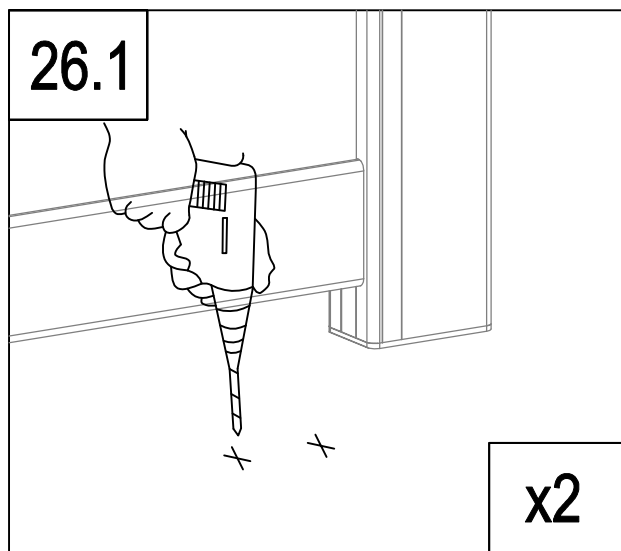
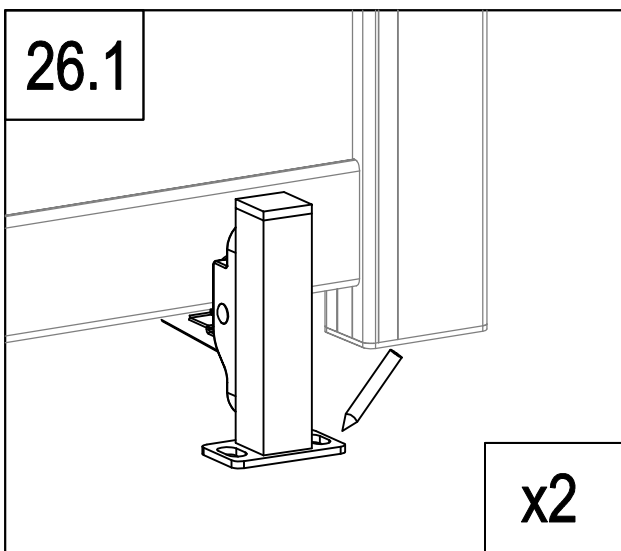
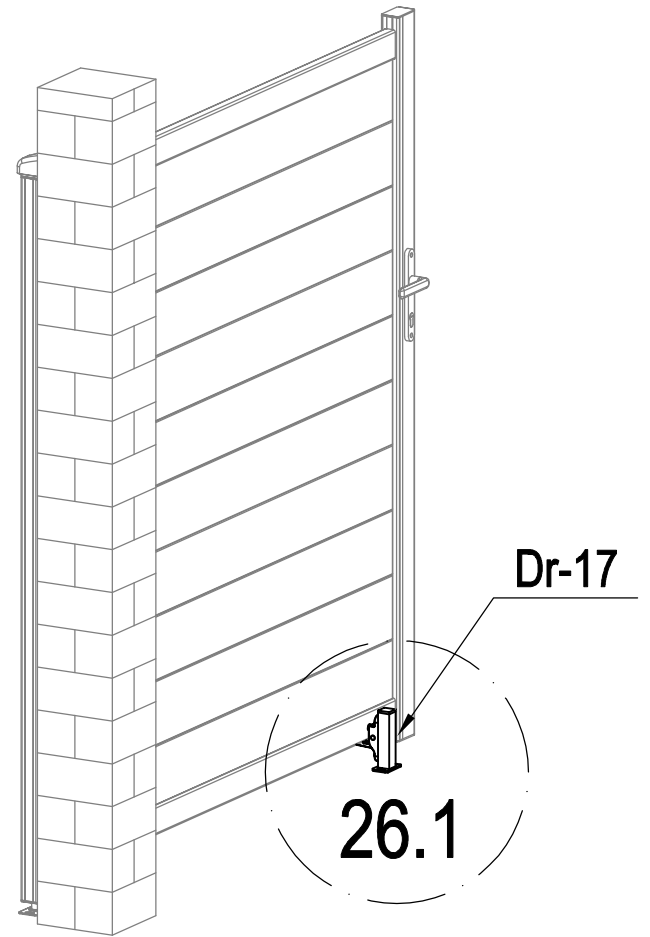
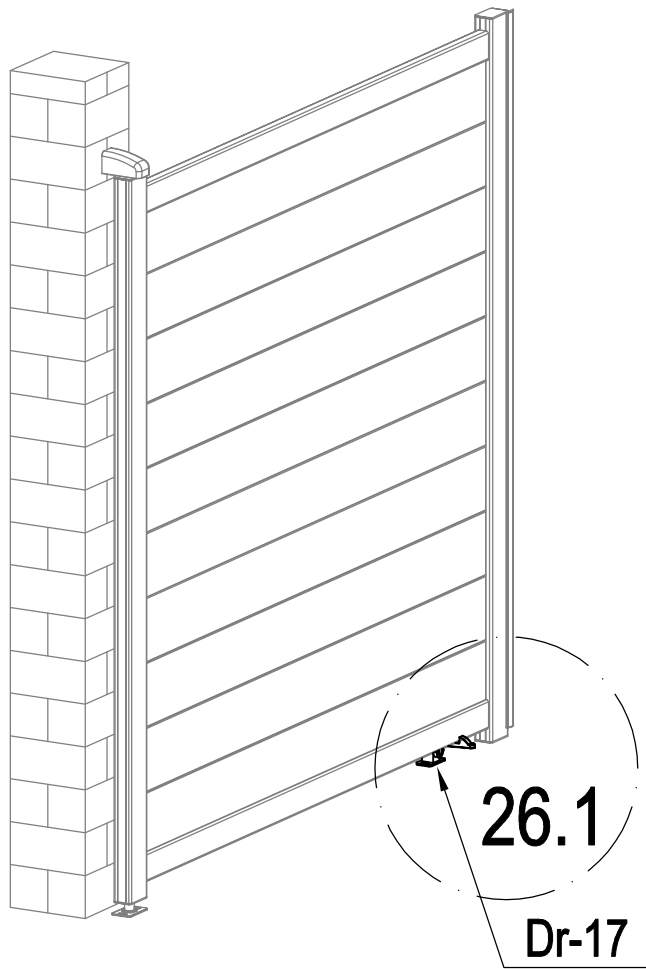


	Dr-15	2
	Dr-31	4



	Dr-16	1
	CK-L34	3
	CK-L35	3





	CK-L32	4
	Dr-17	2