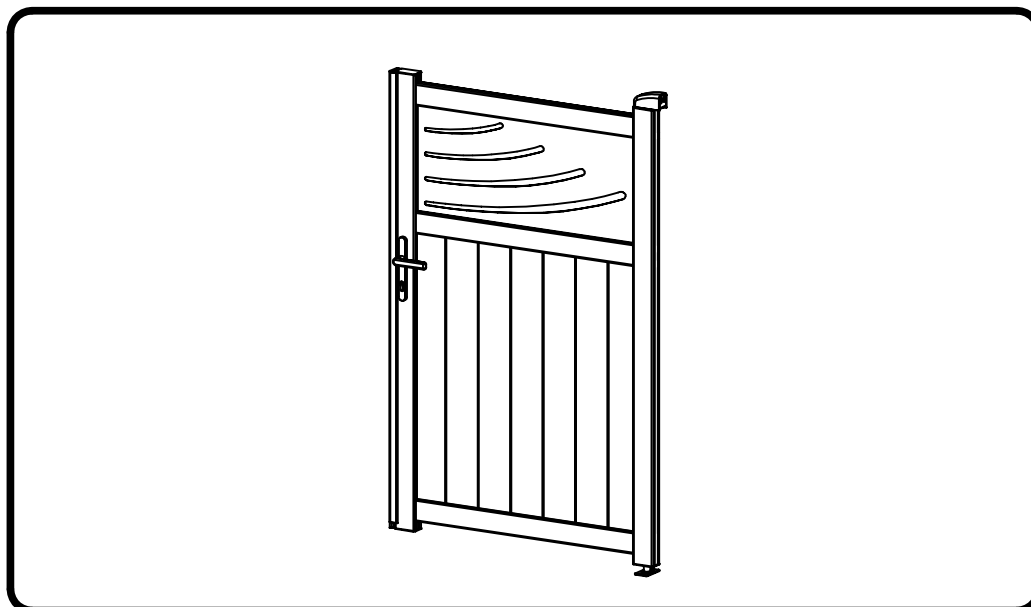


CASANOVO

HALTI 100P160



3-5H



x2

STI-000099

[x1]

FR

EN

ES

DE

IT

NL

PL

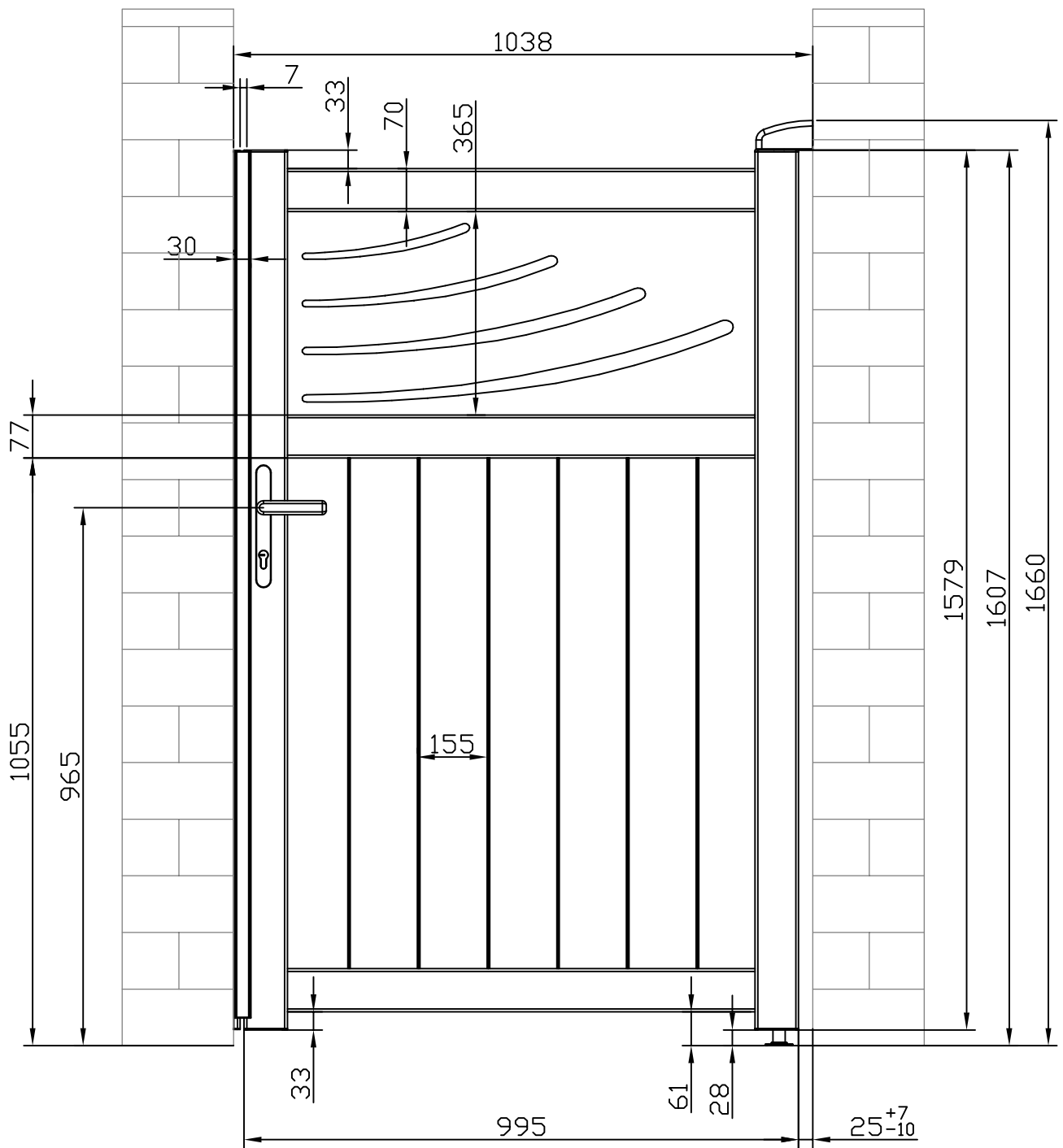
PT

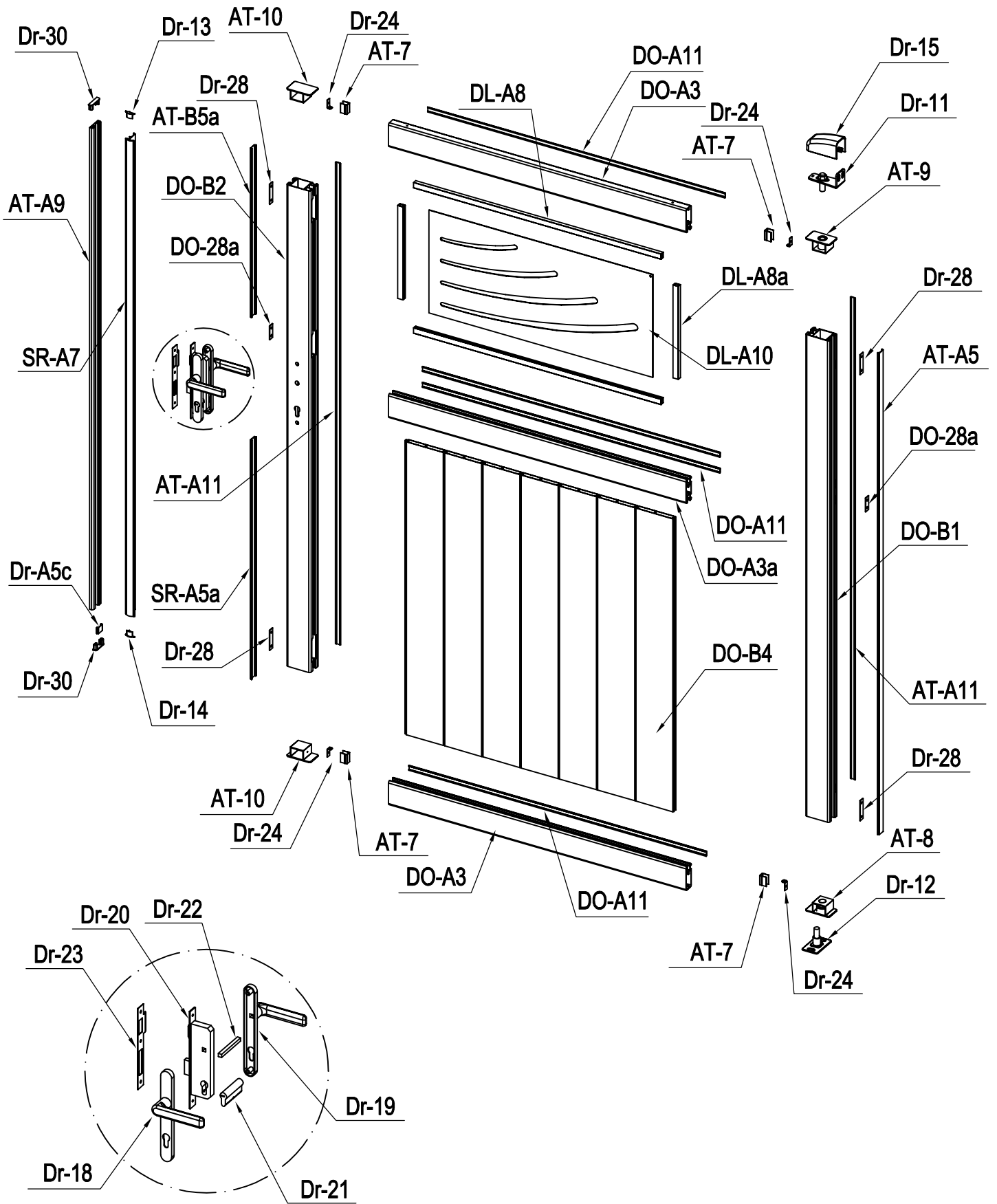
FI

SE

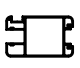


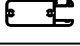
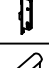
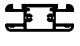

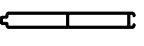

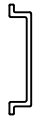




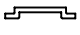



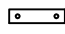
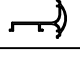
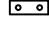







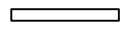












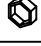

DK

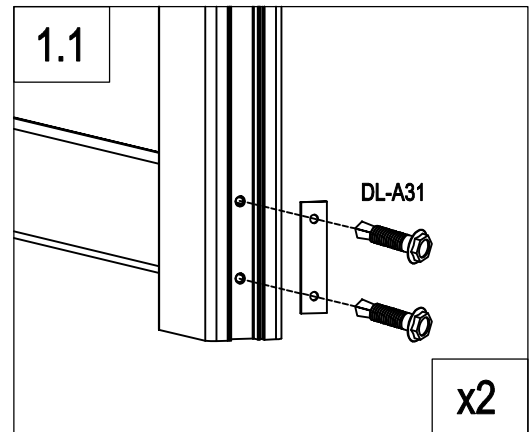
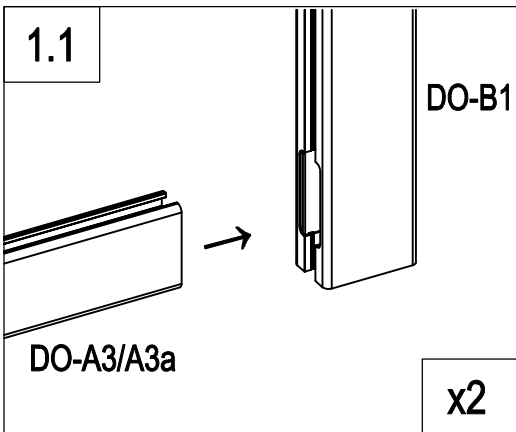
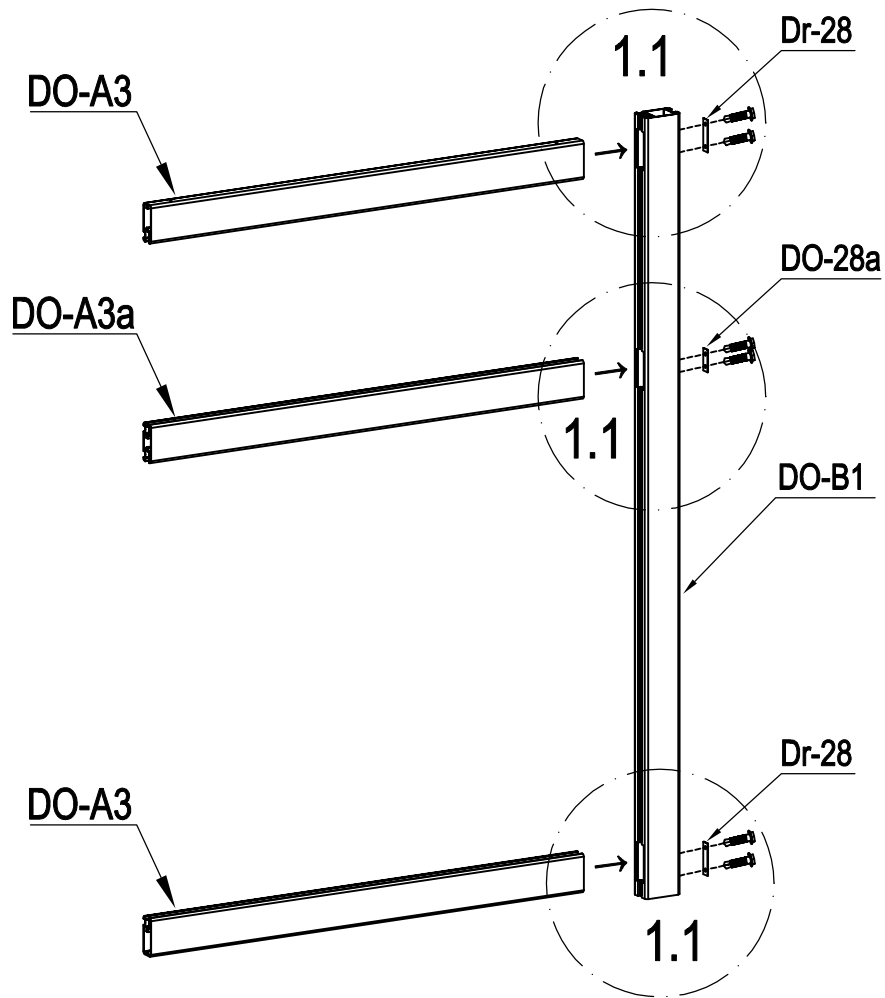


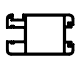
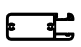
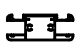


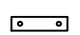
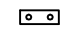



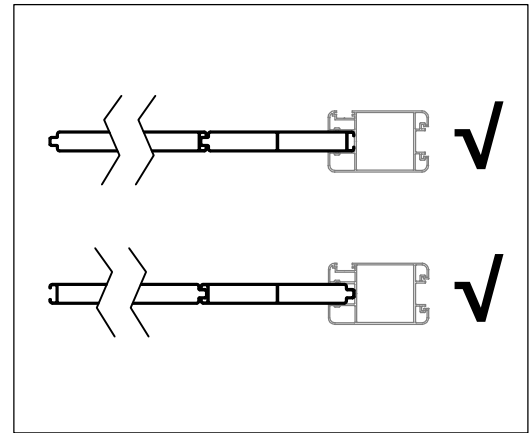
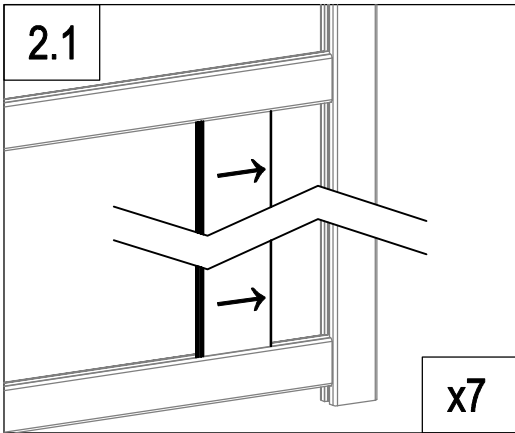
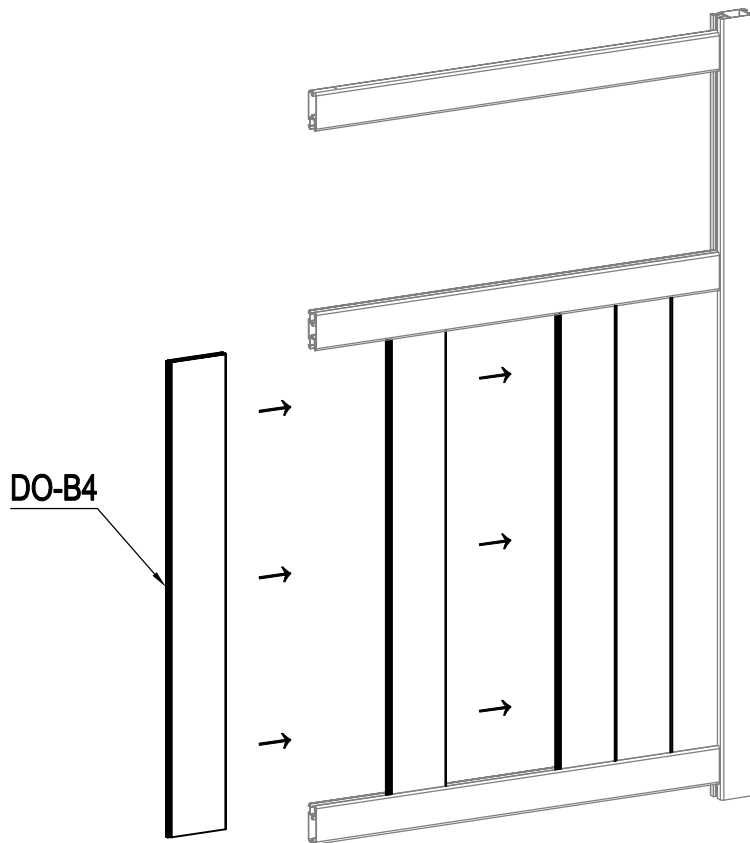
PART LIST

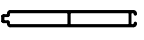
IMAGE	NO.	L.(mm)	QTY	IMAGE	NO.	L.(mm)	QTY
	DO-B1	1573	1		Dr-18		1
	DO-B2	1573	1			Dr-19	
	DO-A3	972	2			Dr-20	
	DO-A3a	972	1		Dr-21		1
	DO-B4	957	7		Dr-22		1
	AT-A5	1573	1		Dr-23		1
	AT-B5a	550.5	1		Dr-25		1
	SR-A5a	782	1		Dr-25a		2
	Dr-A5c	19.5	1		Dr-26		3
	AT-A11	1573	2		Dr-27		2
	DO-A11	972	4		Dr-24		4
	AT-7	29.5	4		Dr-28		4
	SR-A7	1553	1		DO-28a		2
	DL-A8	970	2		DL-A30		4
	DL-A8a	364	2		DL-A31		12
	AT-A9	1573	1		DL-A32		10
	DL-A10	877	1		DL-A33		6
	DO-A15	970	1		DL-A34		3
	AT-8		1		DL-A35		24
	AT-9		1				
	AT-10		2				
	Dr-11		1				
	Dr-12		1				
	Dr-13		1				
	Dr-14		1				
	Dr-15		1				
	Dr-17		1				
	Dr-30		2				
	Dr-31		2				
	DO-30		4				

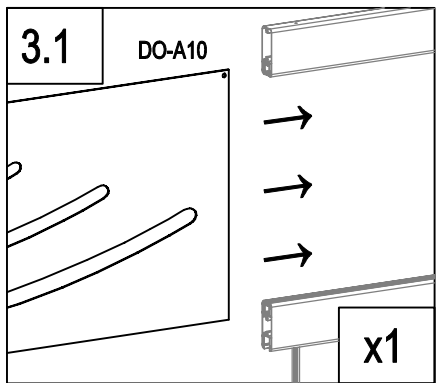
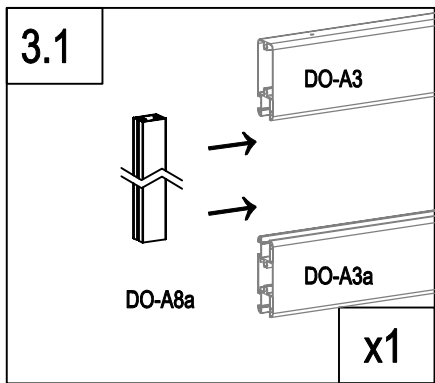
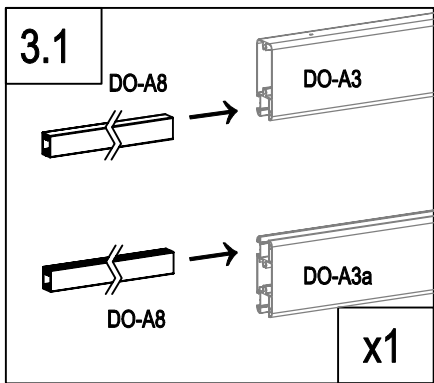
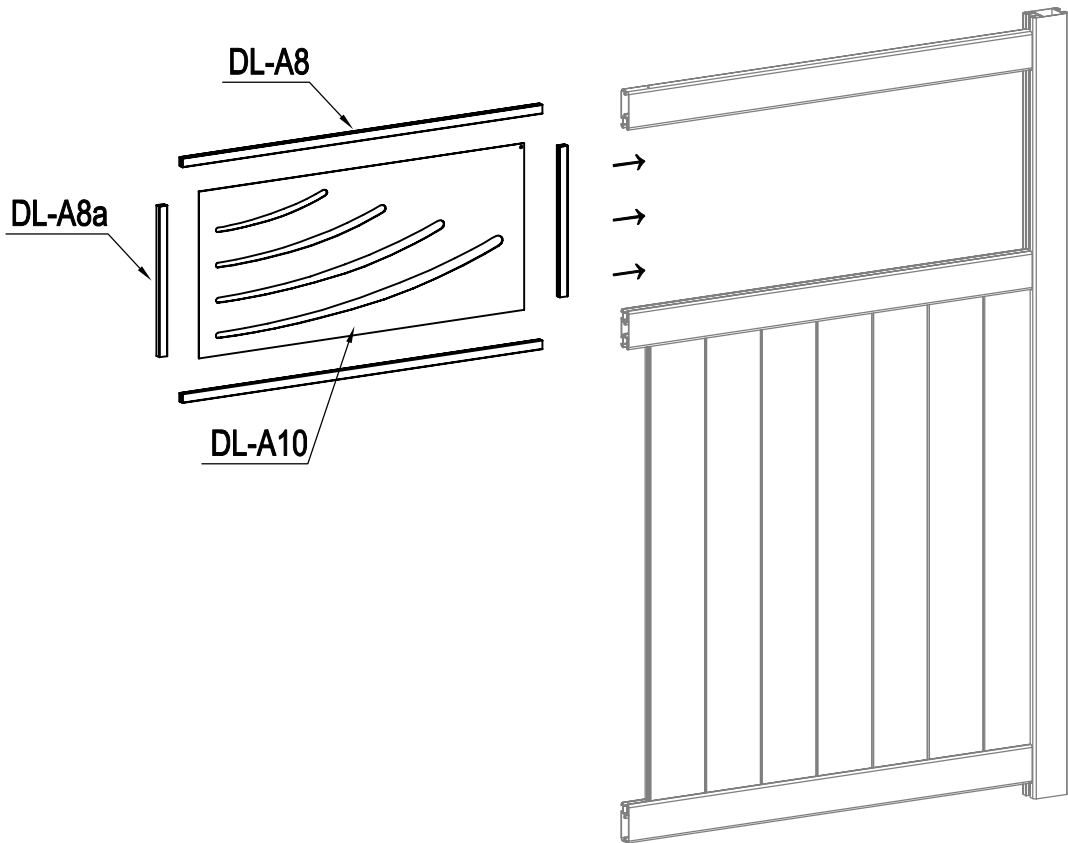


	DO-B1	1
	DO-A3	2
	DO-A3a	1

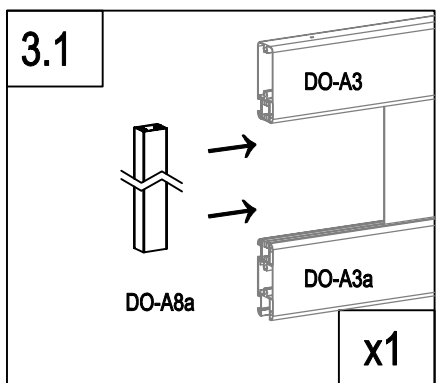
	Dr-28	2
	DO-28a	1
	DL-A31	6

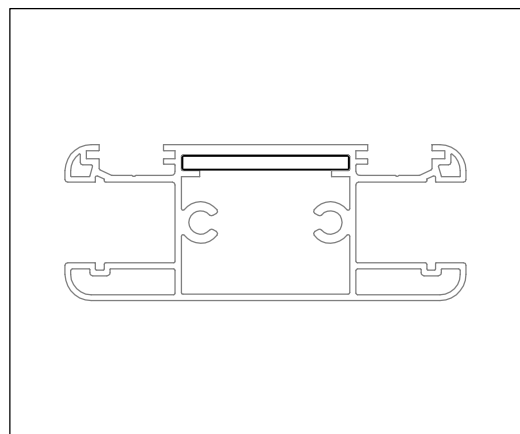
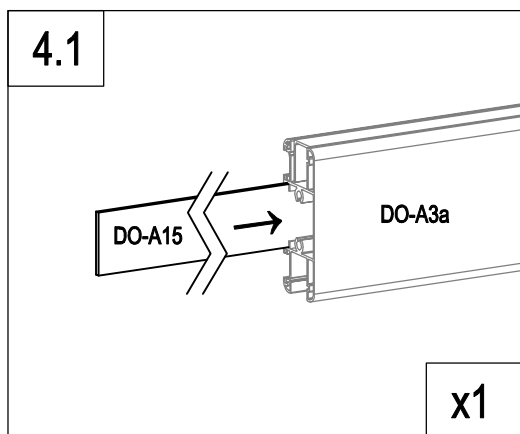
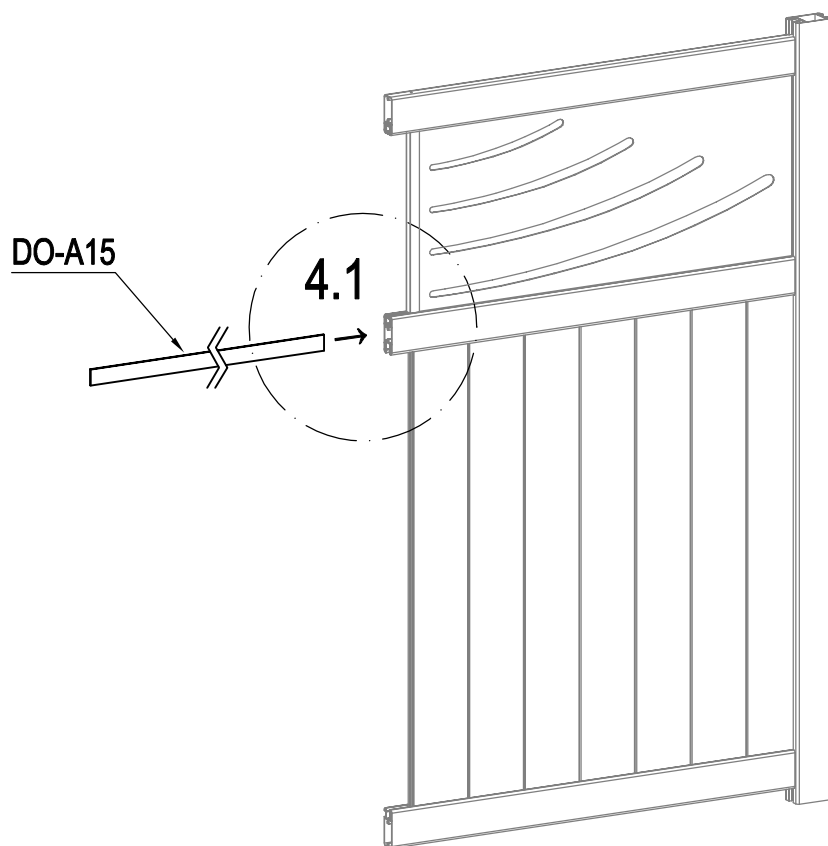


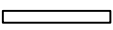
	DO-B4	7
---	-------	---

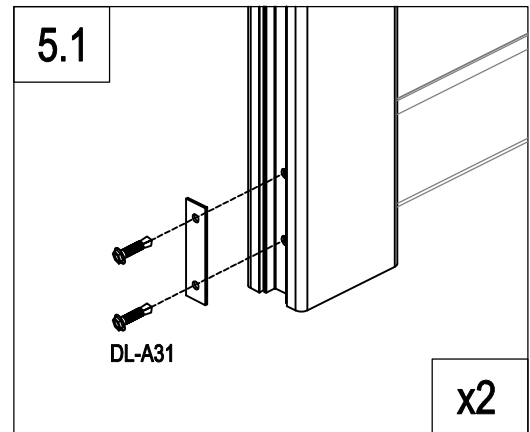
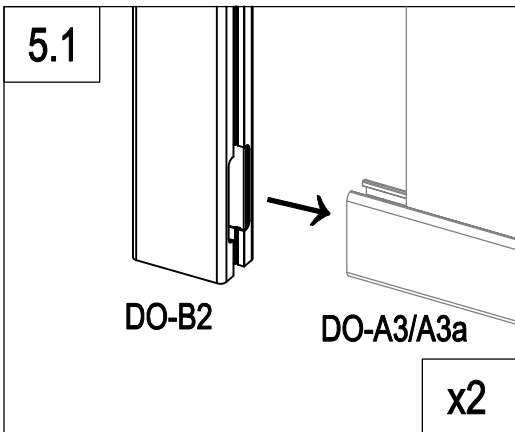
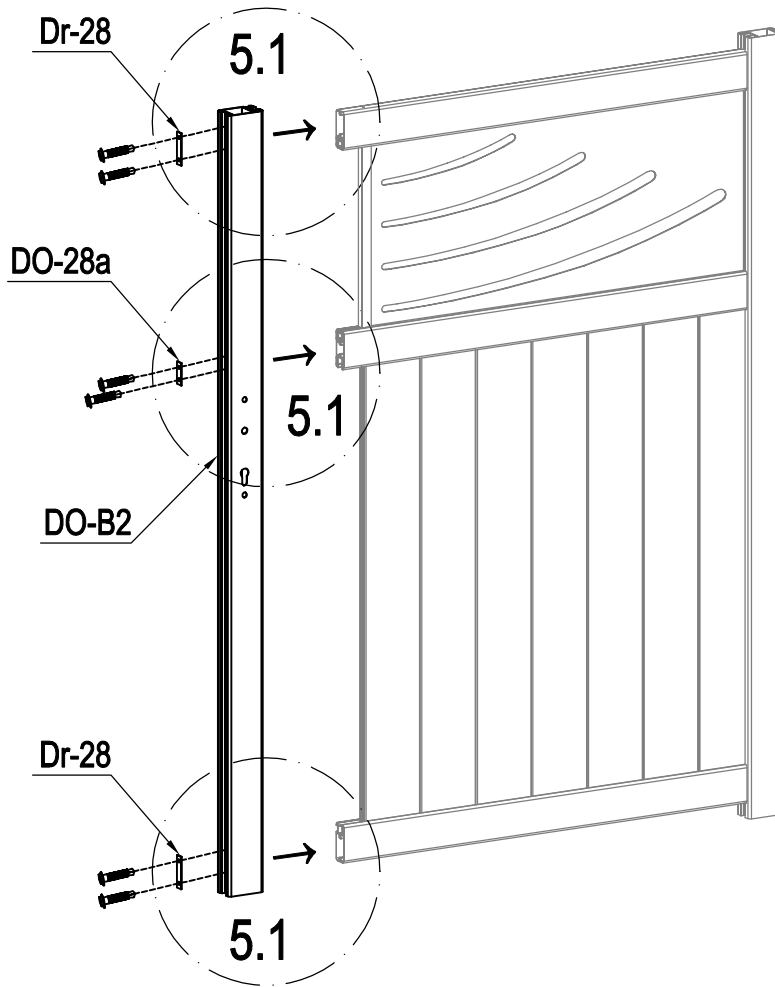


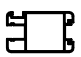
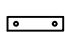


	DO-A10	1
	DO-A8	2
	DO-A8a	2

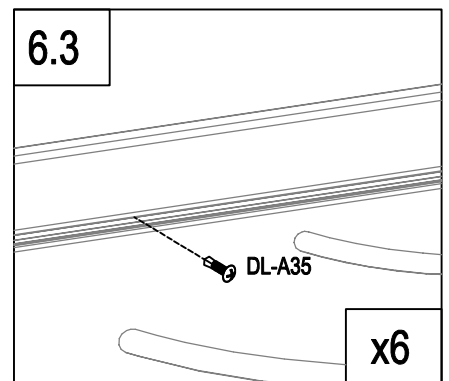
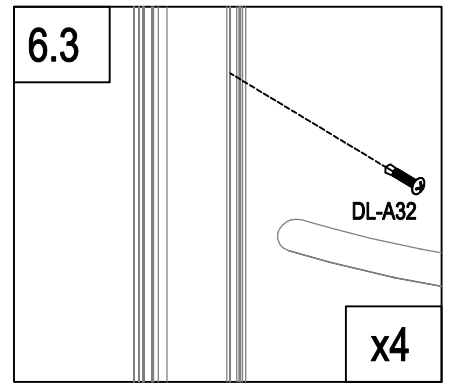
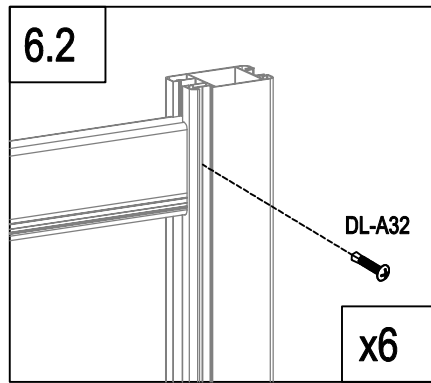
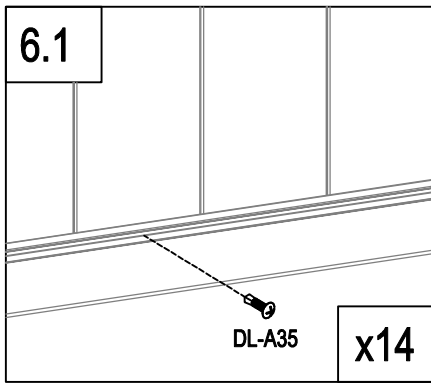
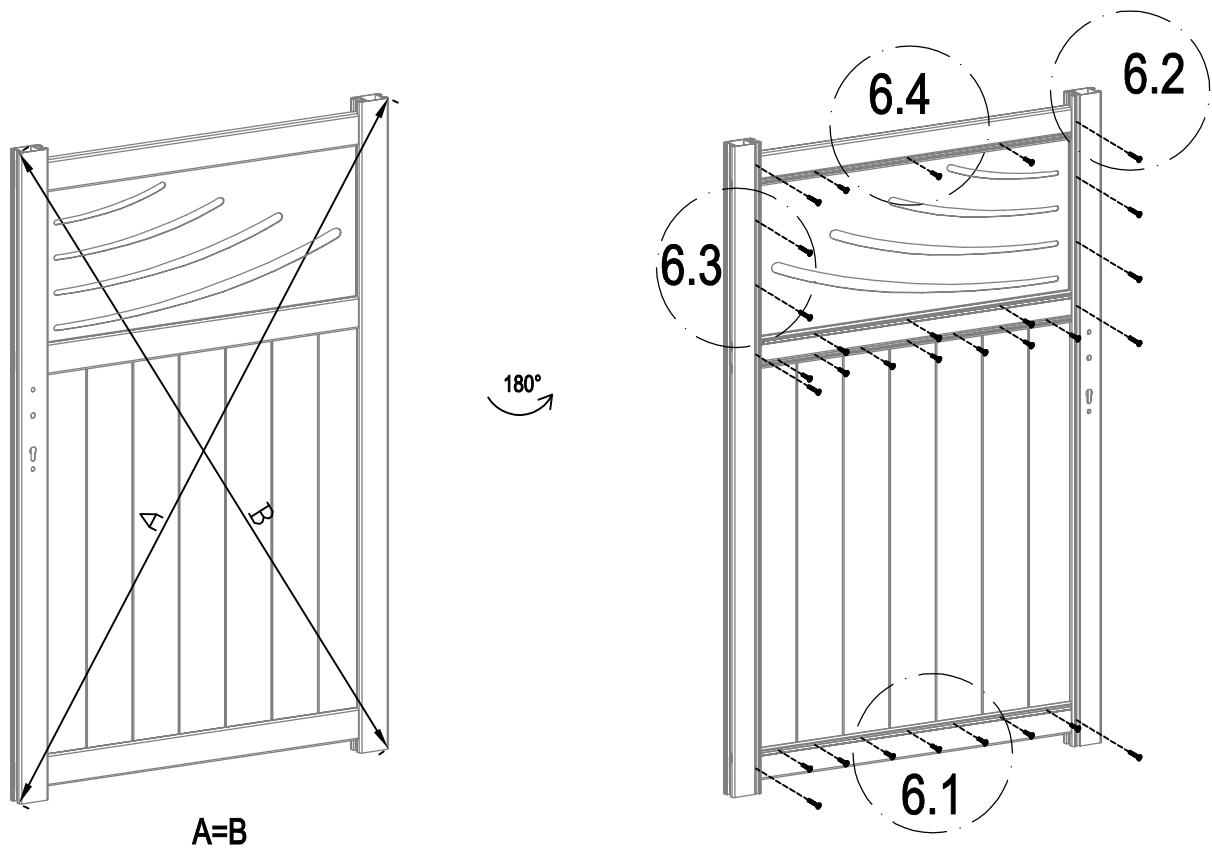






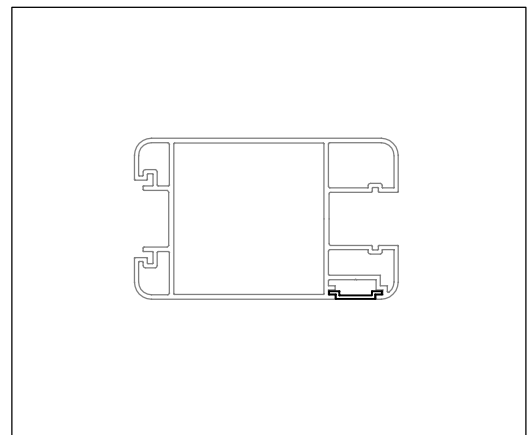
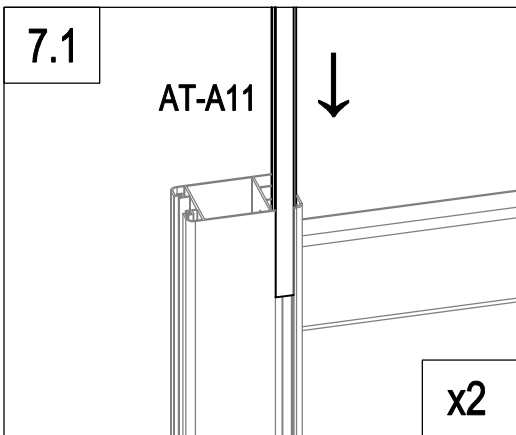
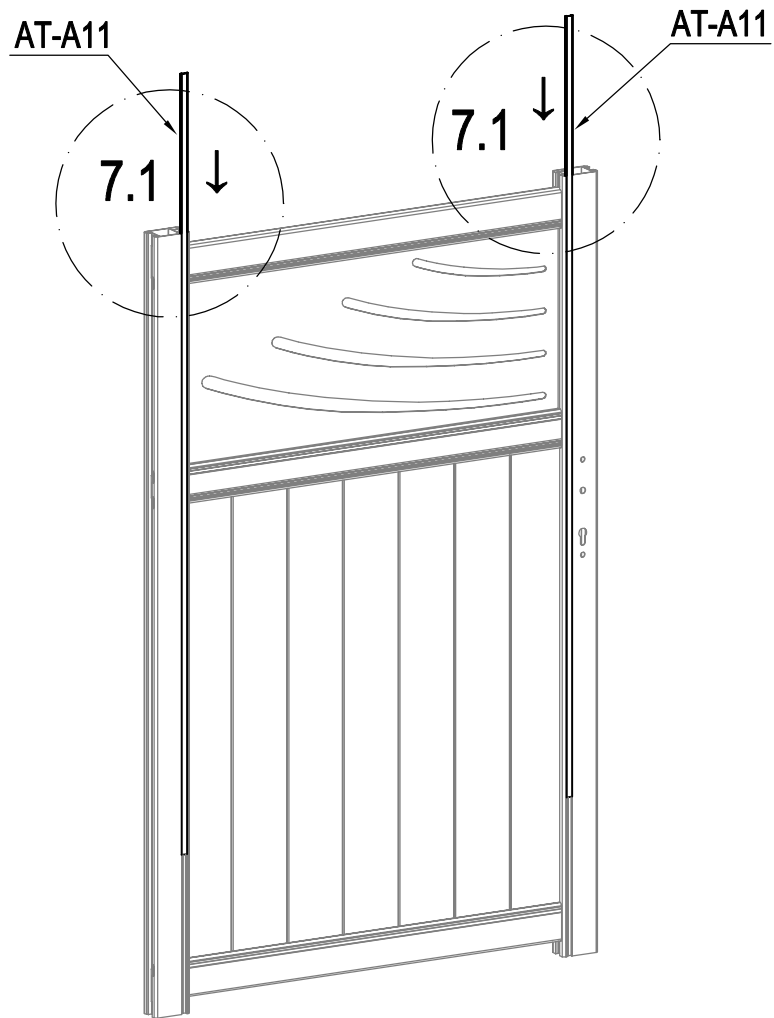
	DO-A15	1
---	--------	---




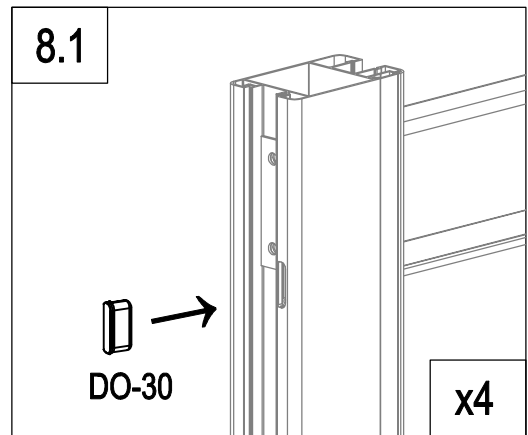
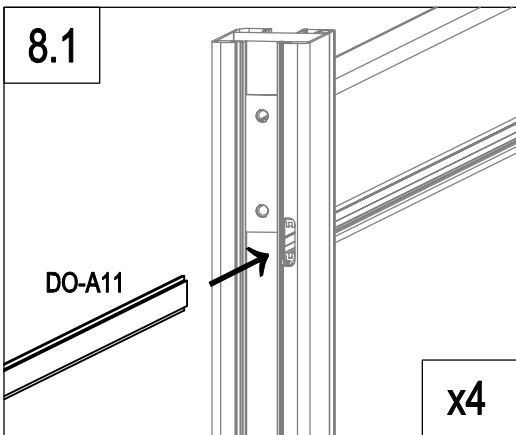
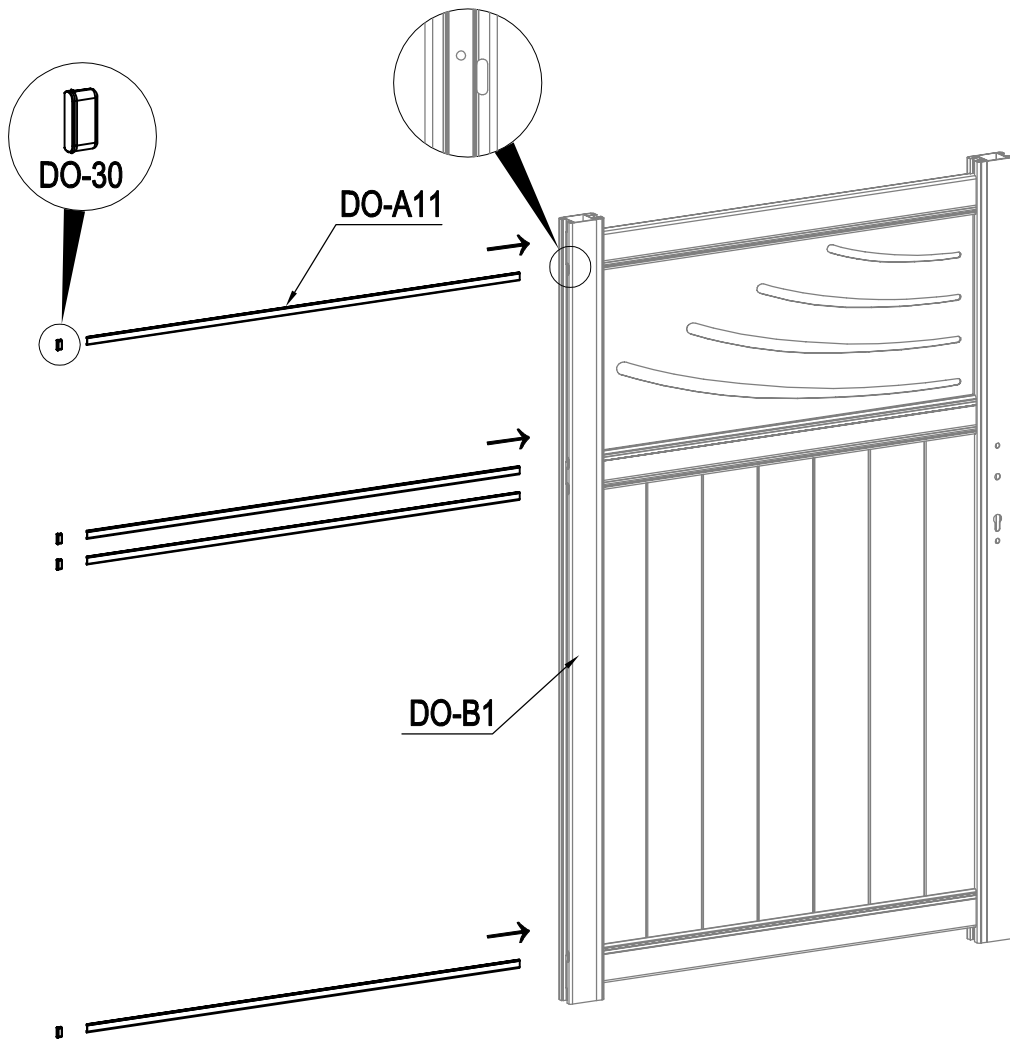
	DO-B2	1
	Dr-28	2
	DO-28a	1
	DL-A31	6

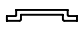



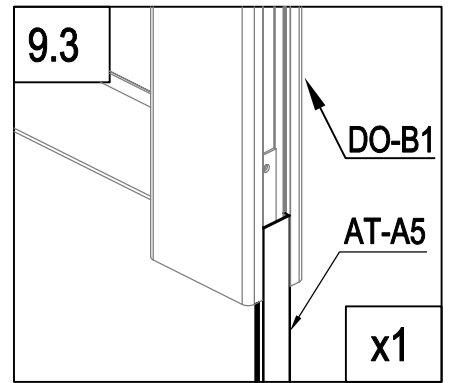
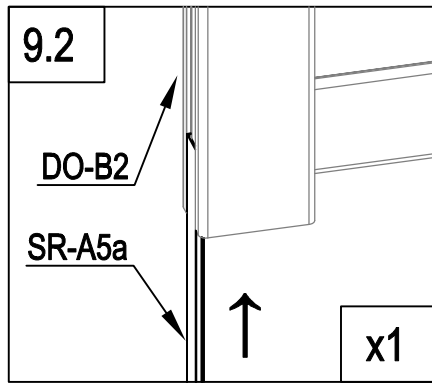
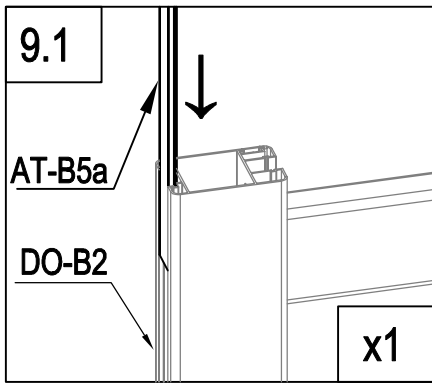
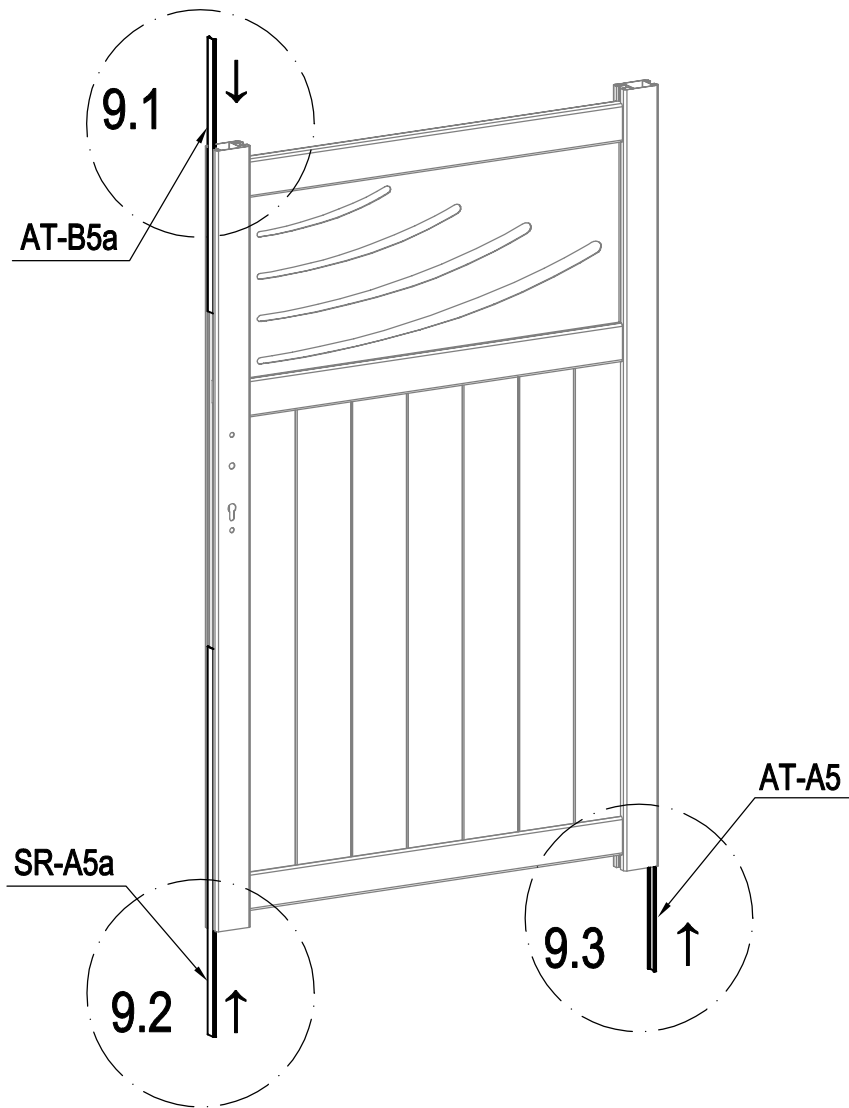
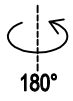
	DL-A35	20
	DL-A32	10



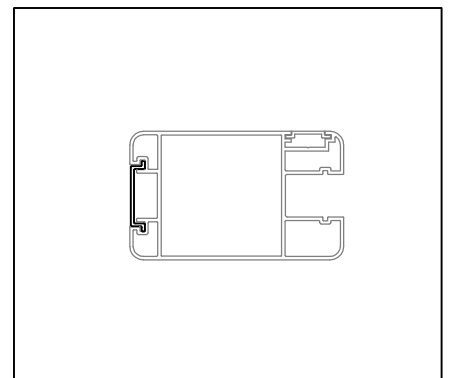
	AT-A11	2
---	--------	---

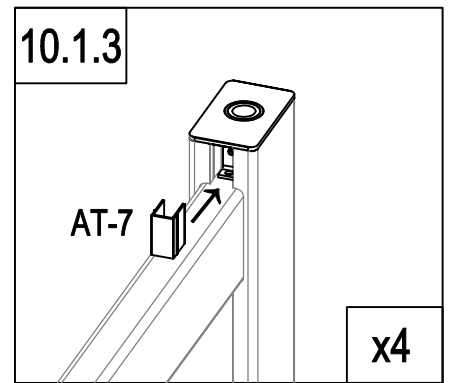
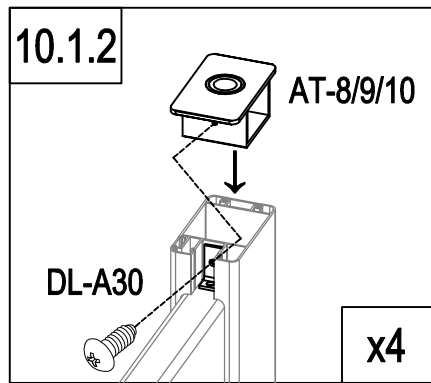
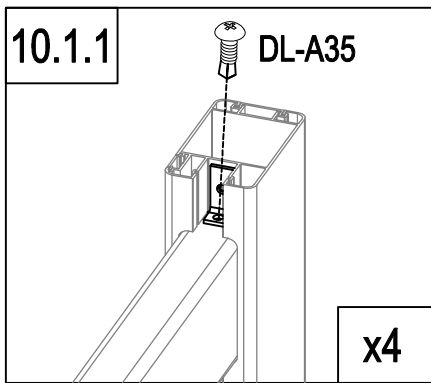
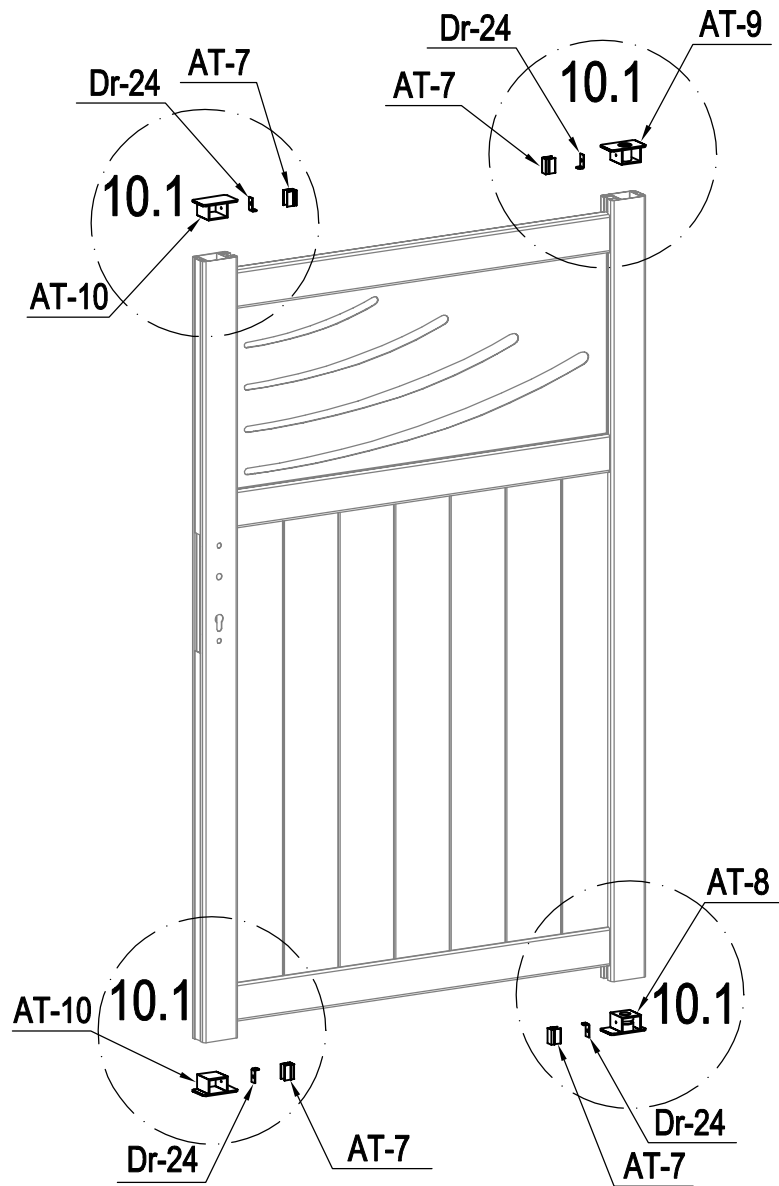


	DO-A11	4
	DO-30	4



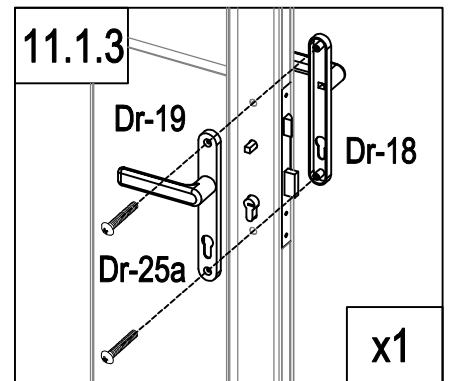
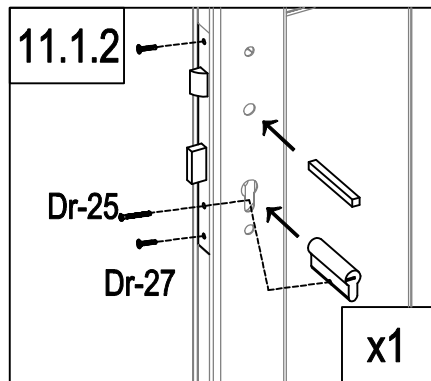
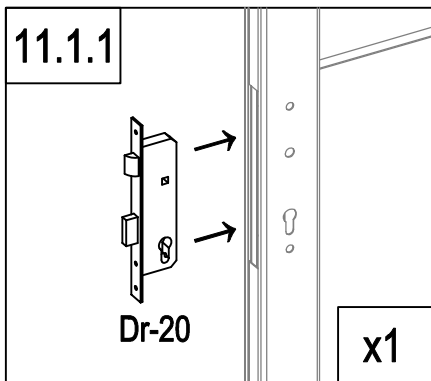
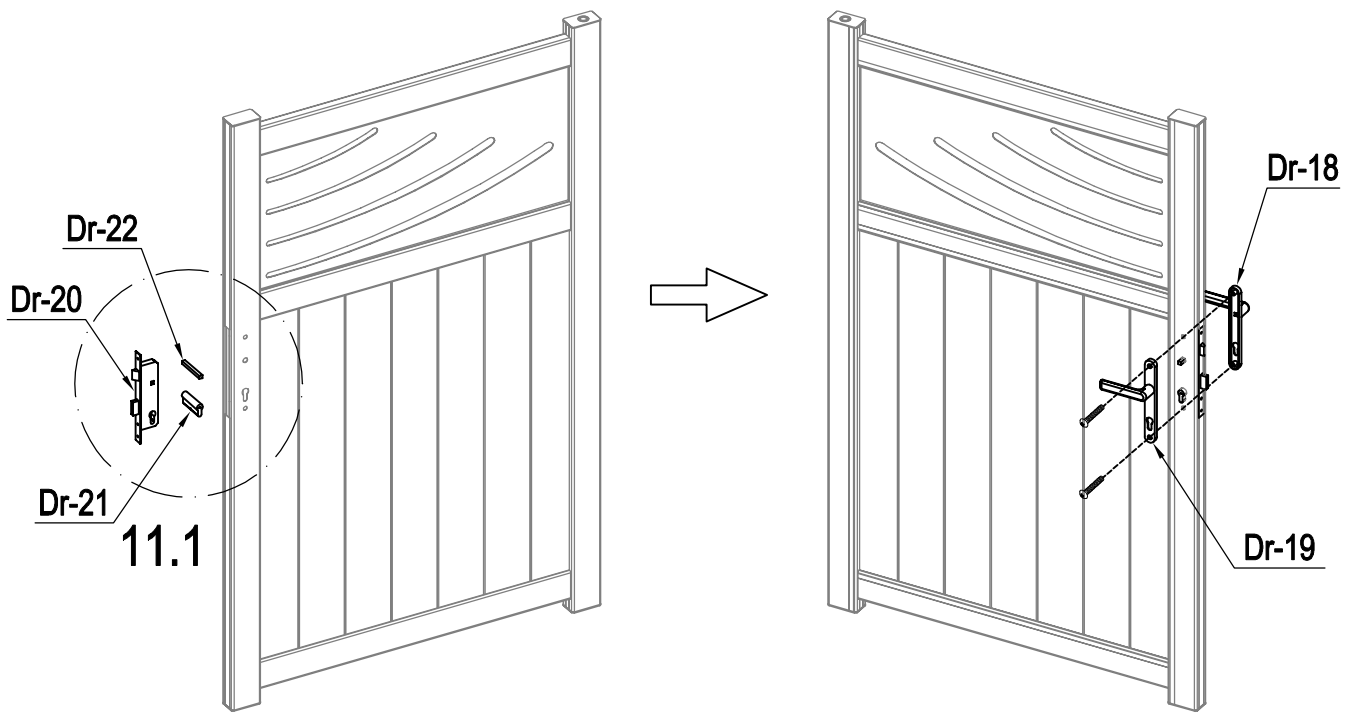
	AT-A5	1
	AT-B5a	1
	SR-A5a	1





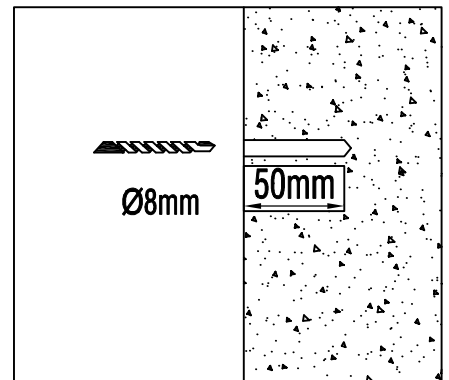
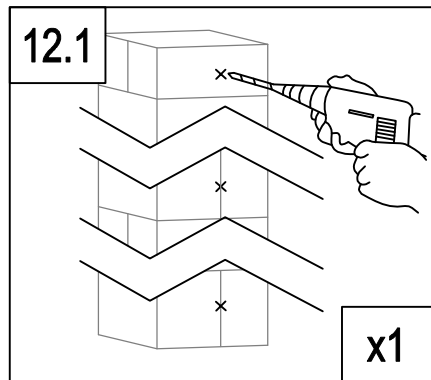
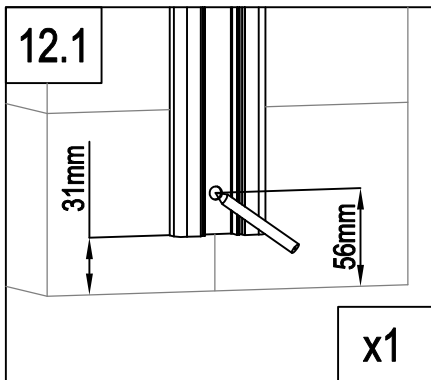
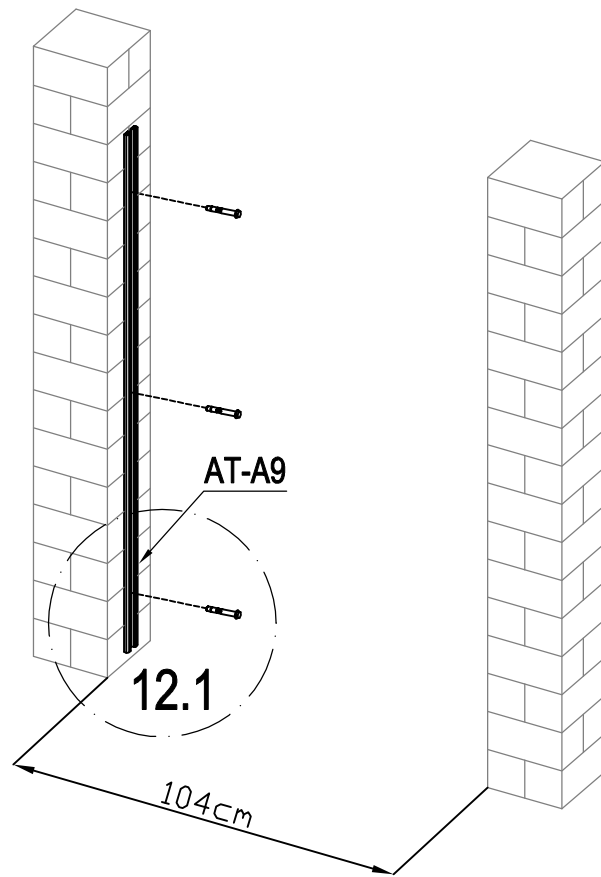
	AT-8	1
	AT-9	1
	AT-10	2
	Dr-24	4



	AT-7	4
	DL-A30	4
	DL-A35	4

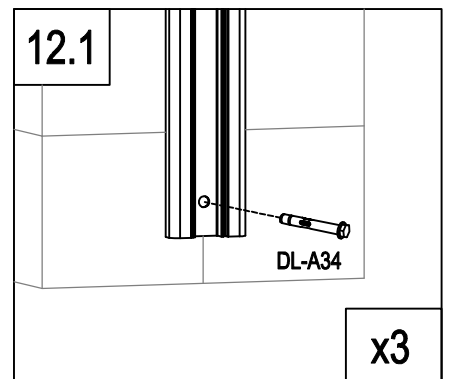


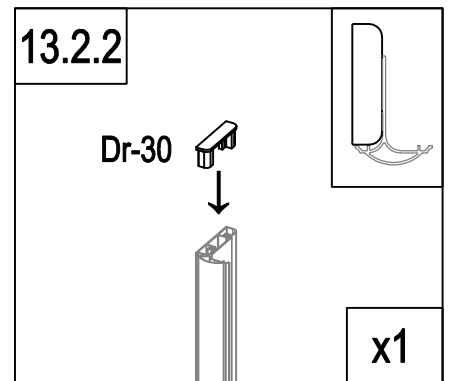
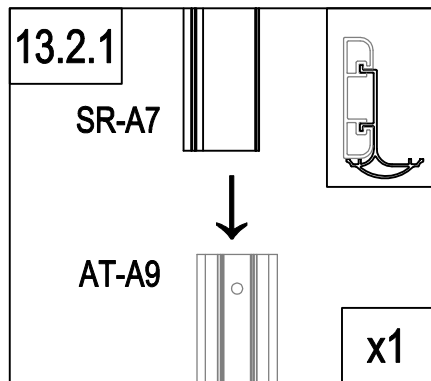
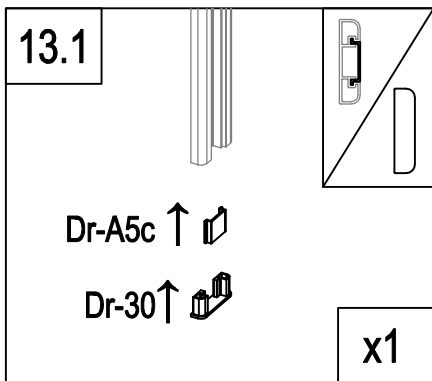
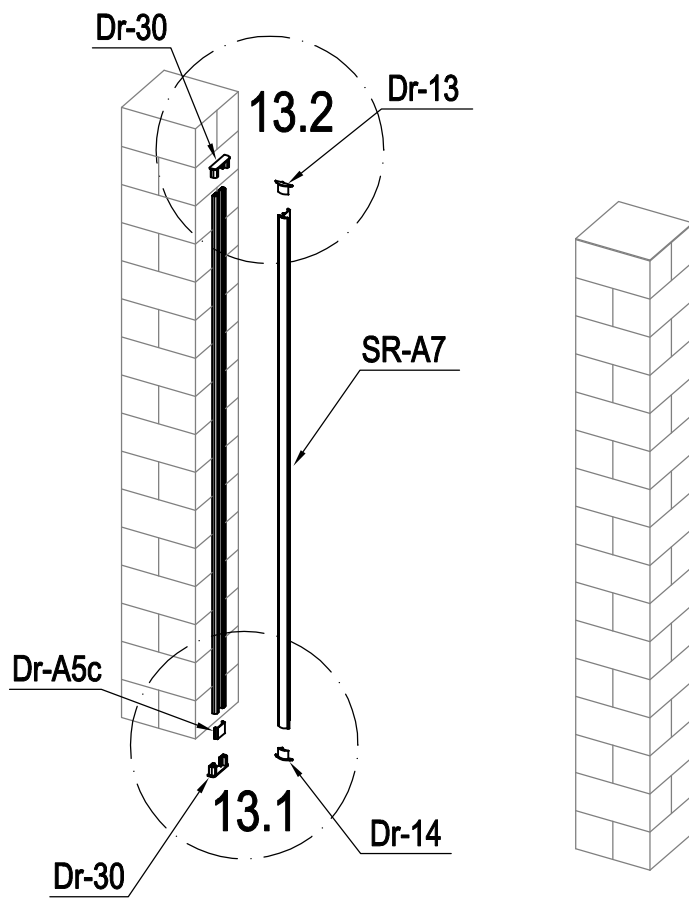
	Dr-20	1
	Dr-21	1
	Dr-22	1
	Dr-25	1

	Dr-18	1
	Dr-19	1
	Dr-25a	2
	Dr-27	2

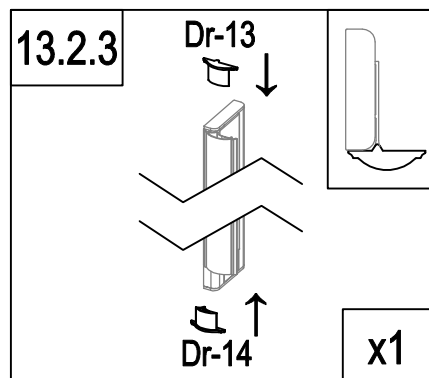


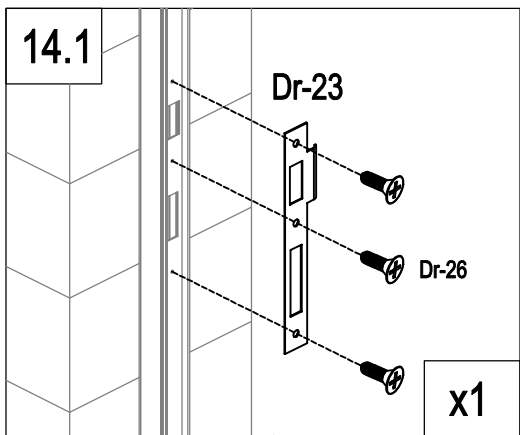
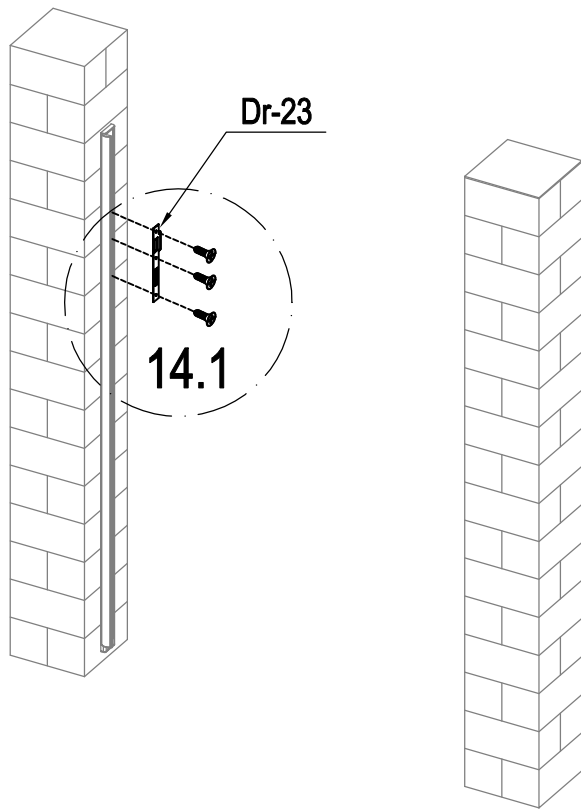
	AT-A9	1
	DL-A34	3



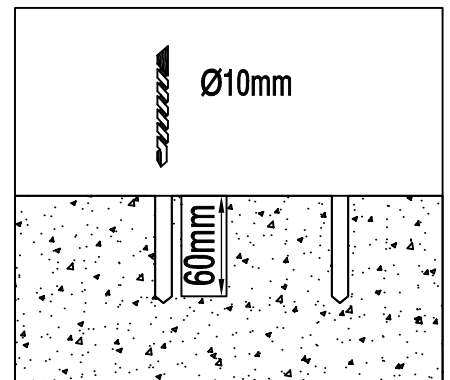
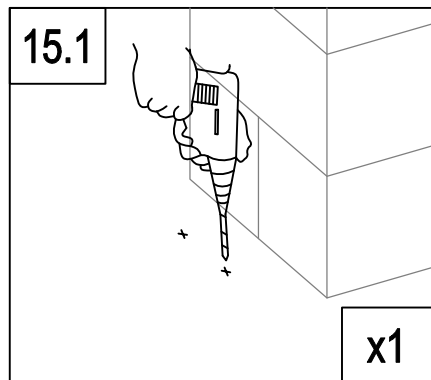
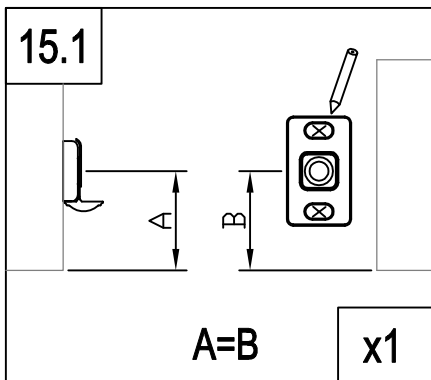
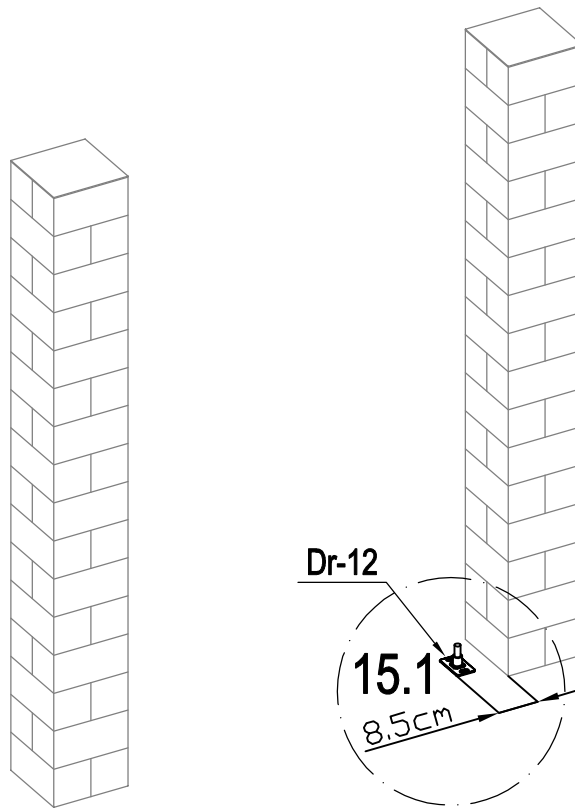




	SR-A7	1
	Dr-13	1
	Dr-14	1
	Dr-30	2
	Dr-A5c	1

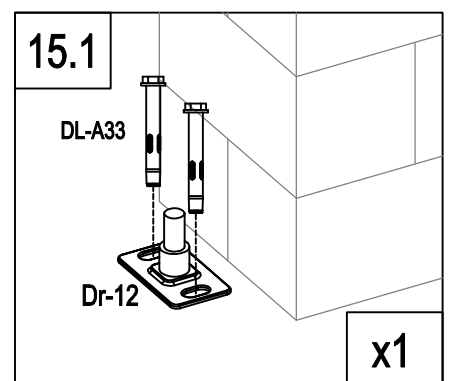


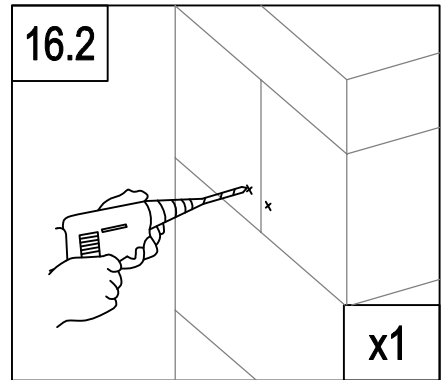
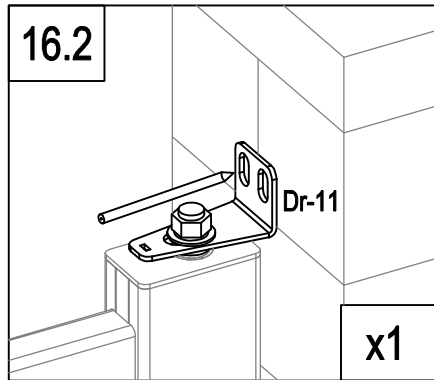
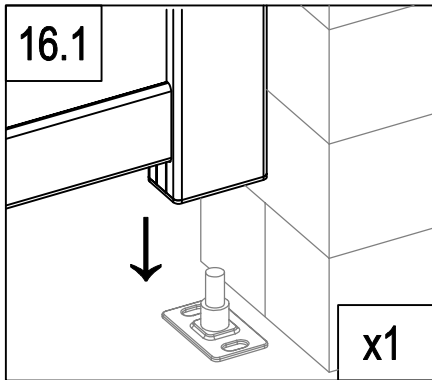
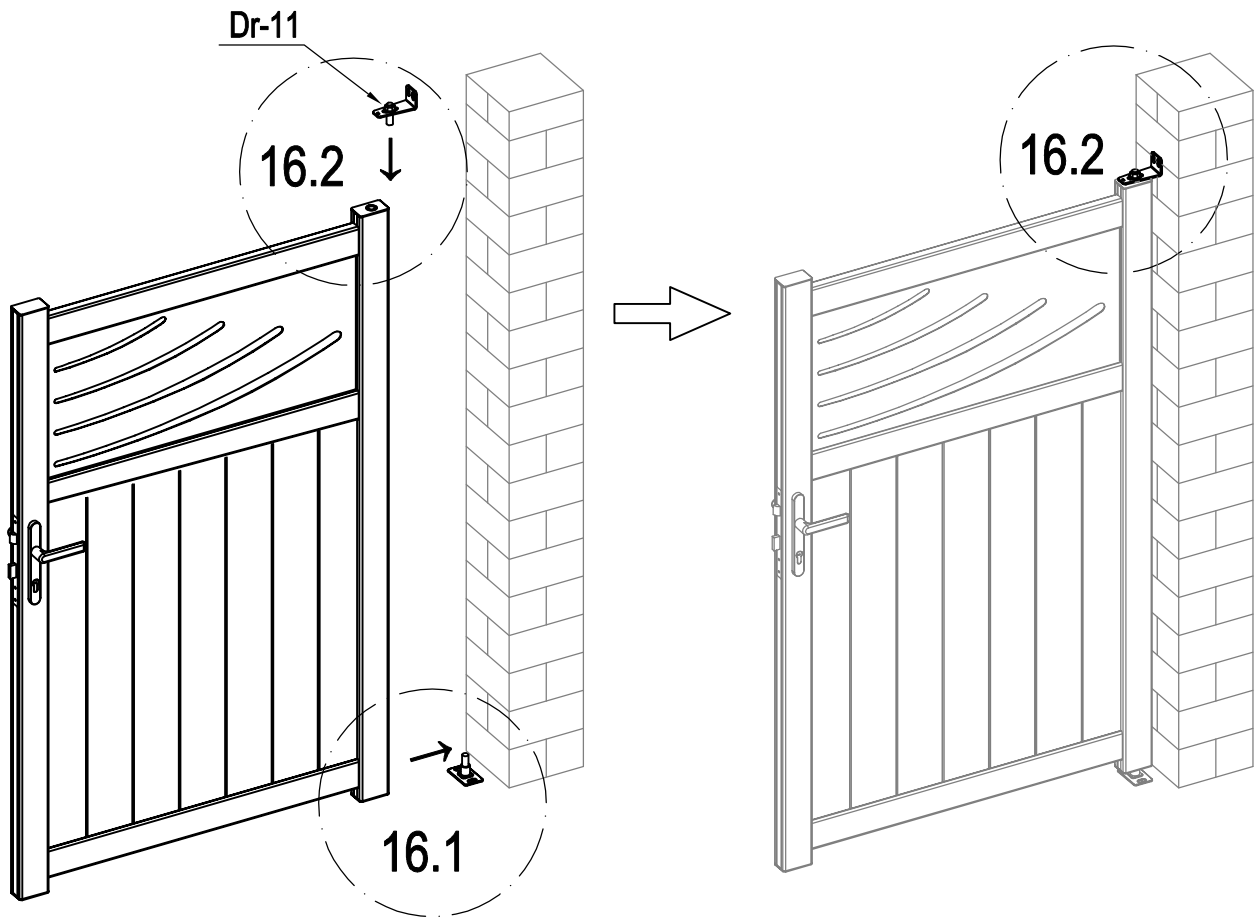




	Dr-23	1
	Dr-26	3

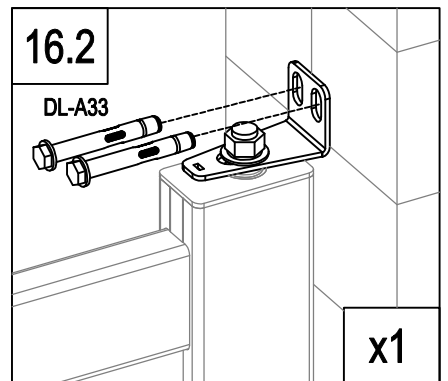
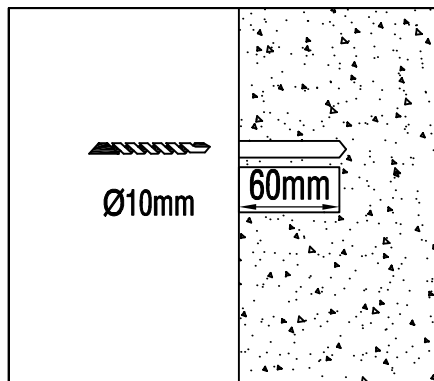


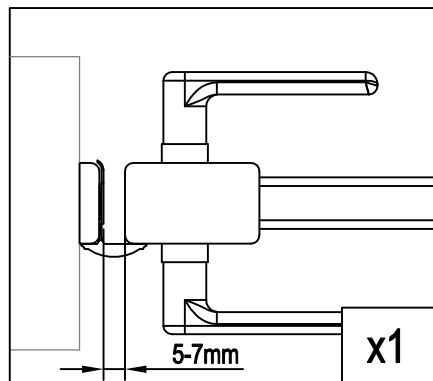
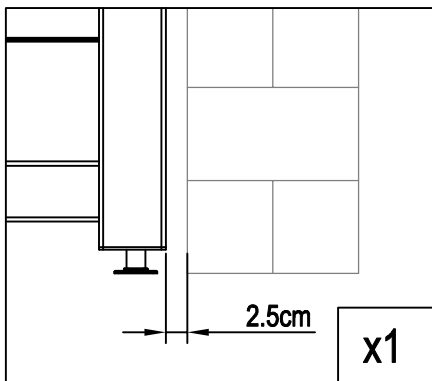
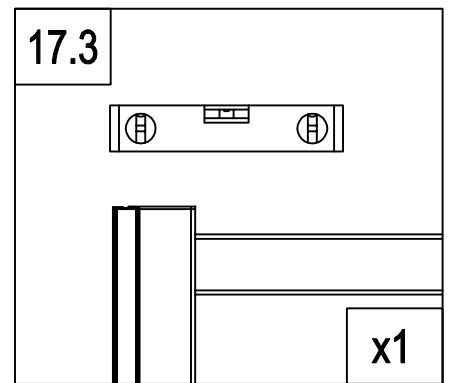
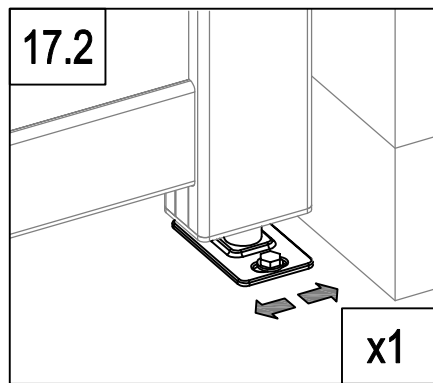
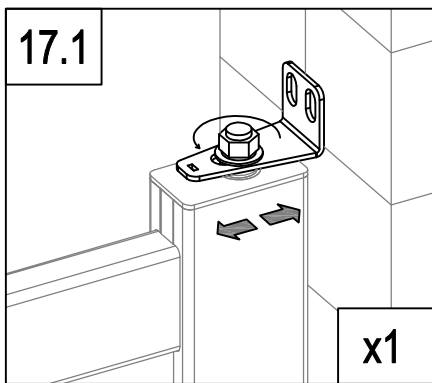
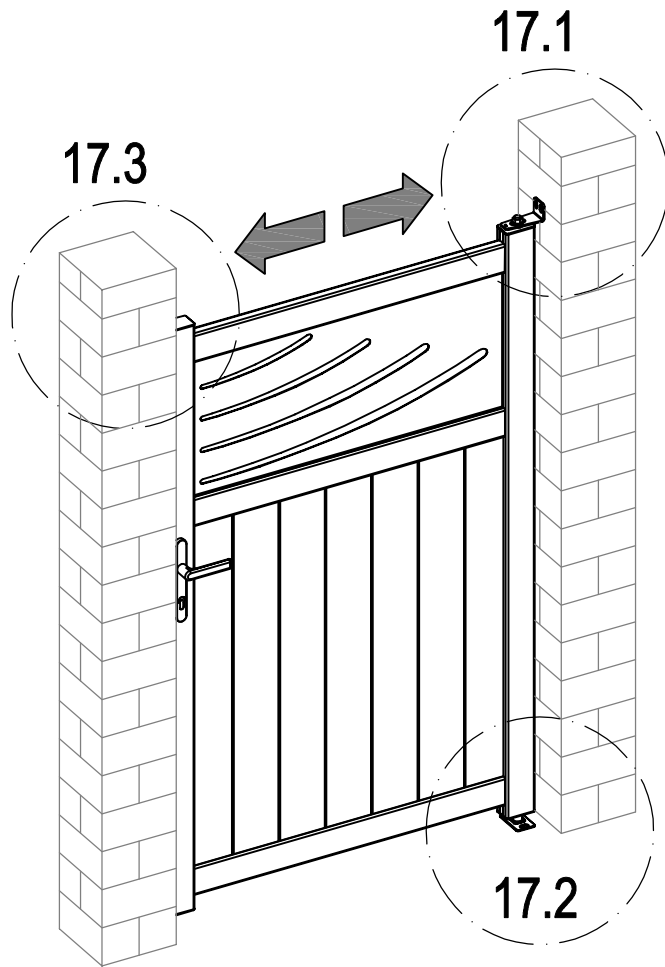
	Dr-12	1
	DL-A33	2

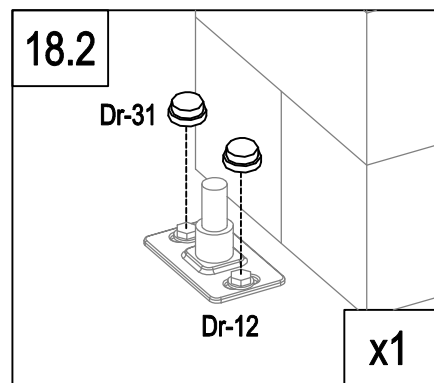
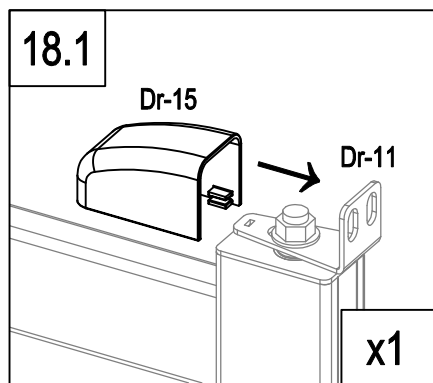
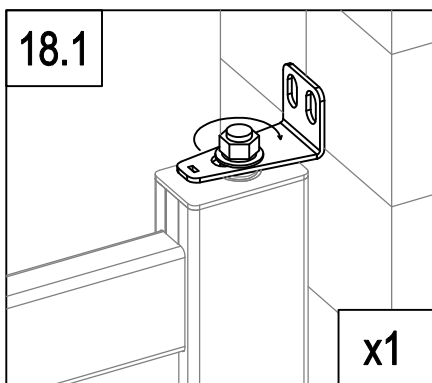
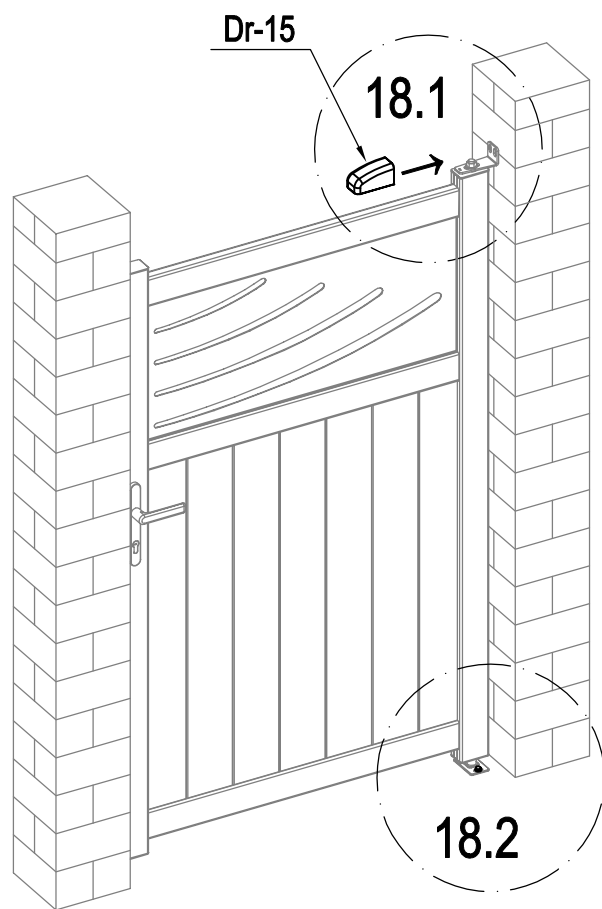






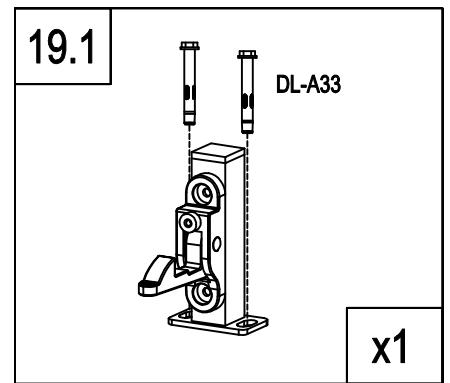
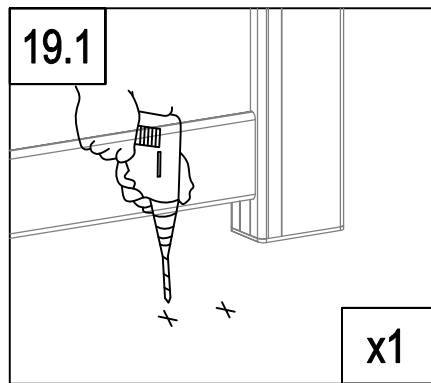
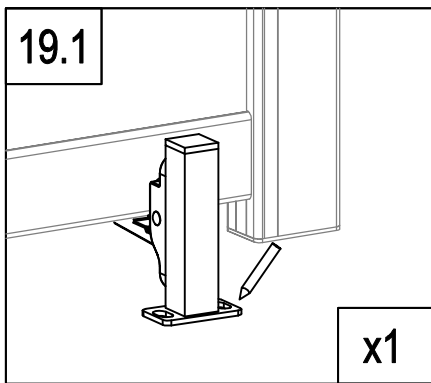
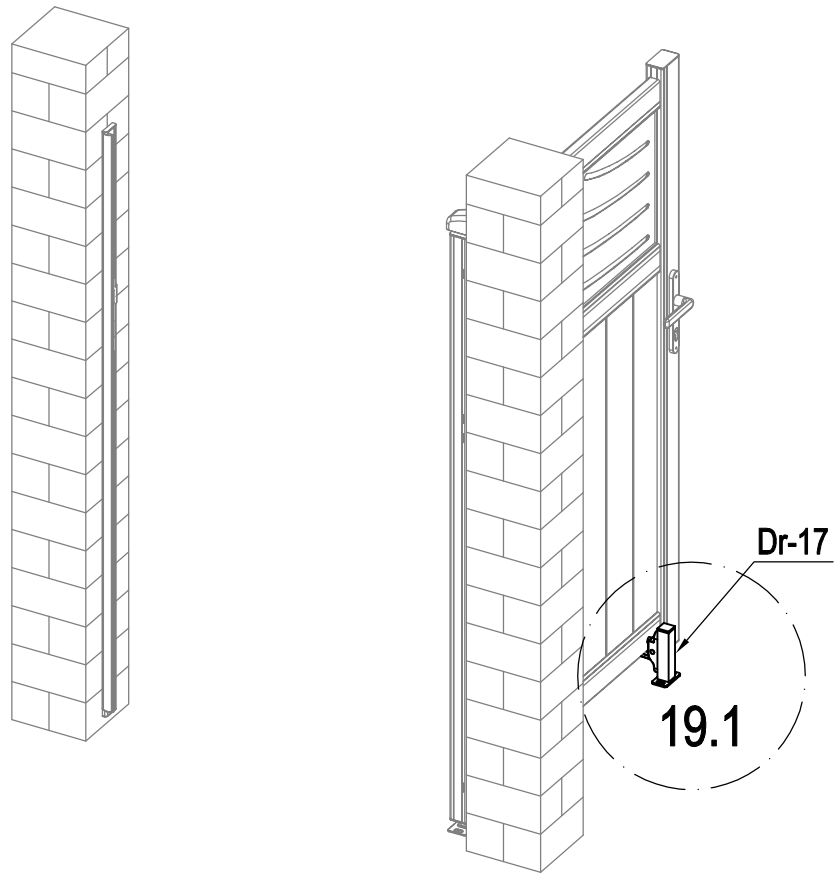
	Dr-11	1
	DL-A33	2









	Dr-15	1
	Dr-31	2



	DL-A33	2
	Dr-17	1