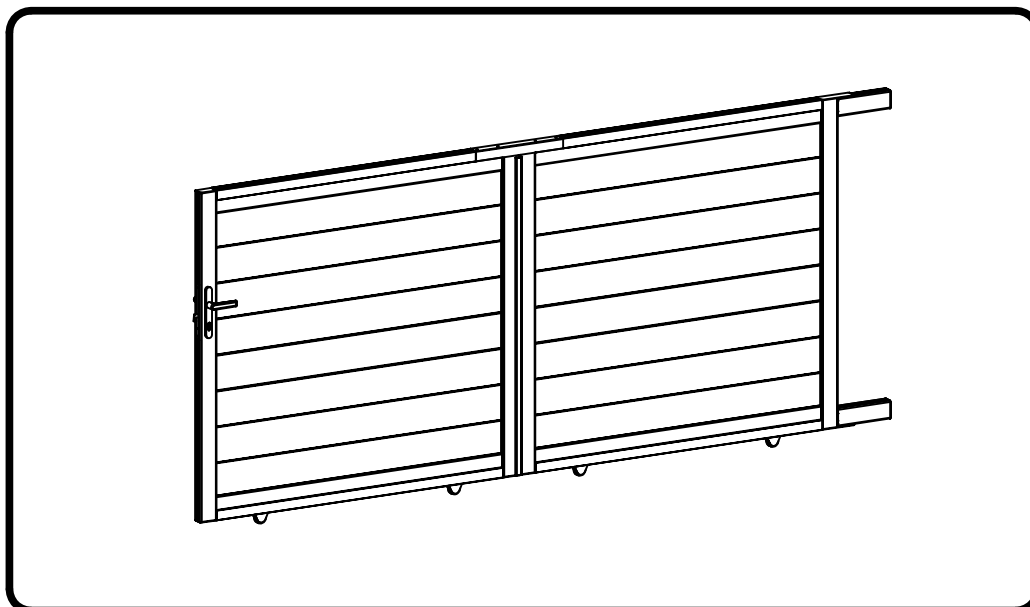


CASANOVO

EIGER 300C140



7-8H



x2

COM-000077

[x1]

COM-000078

[x1]

COM-000079

[x1]

FR

EN

ES

DE

IT

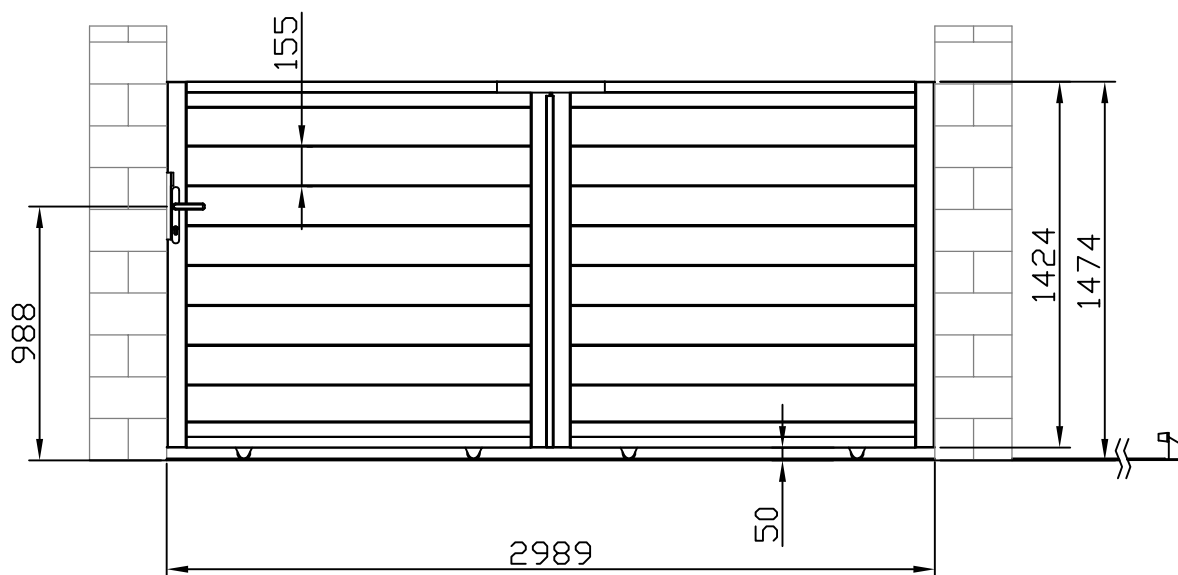
NL

PL

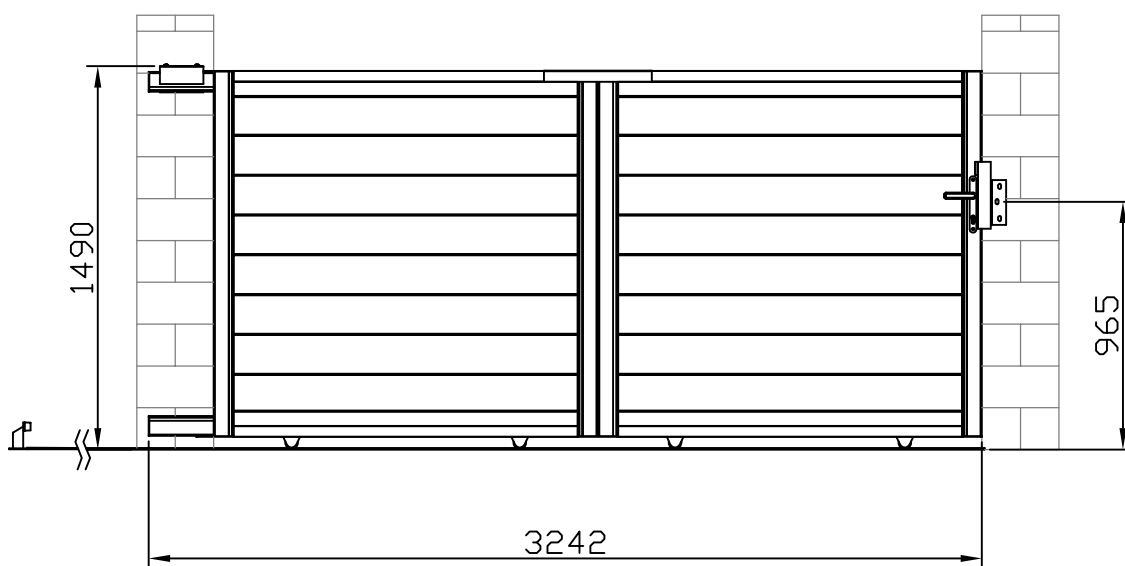
PT

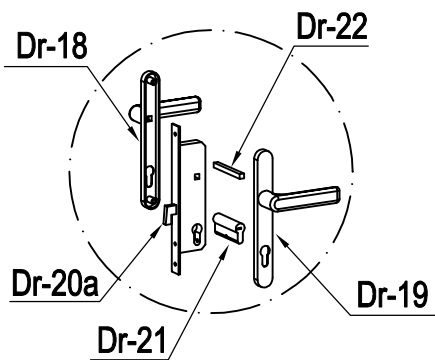
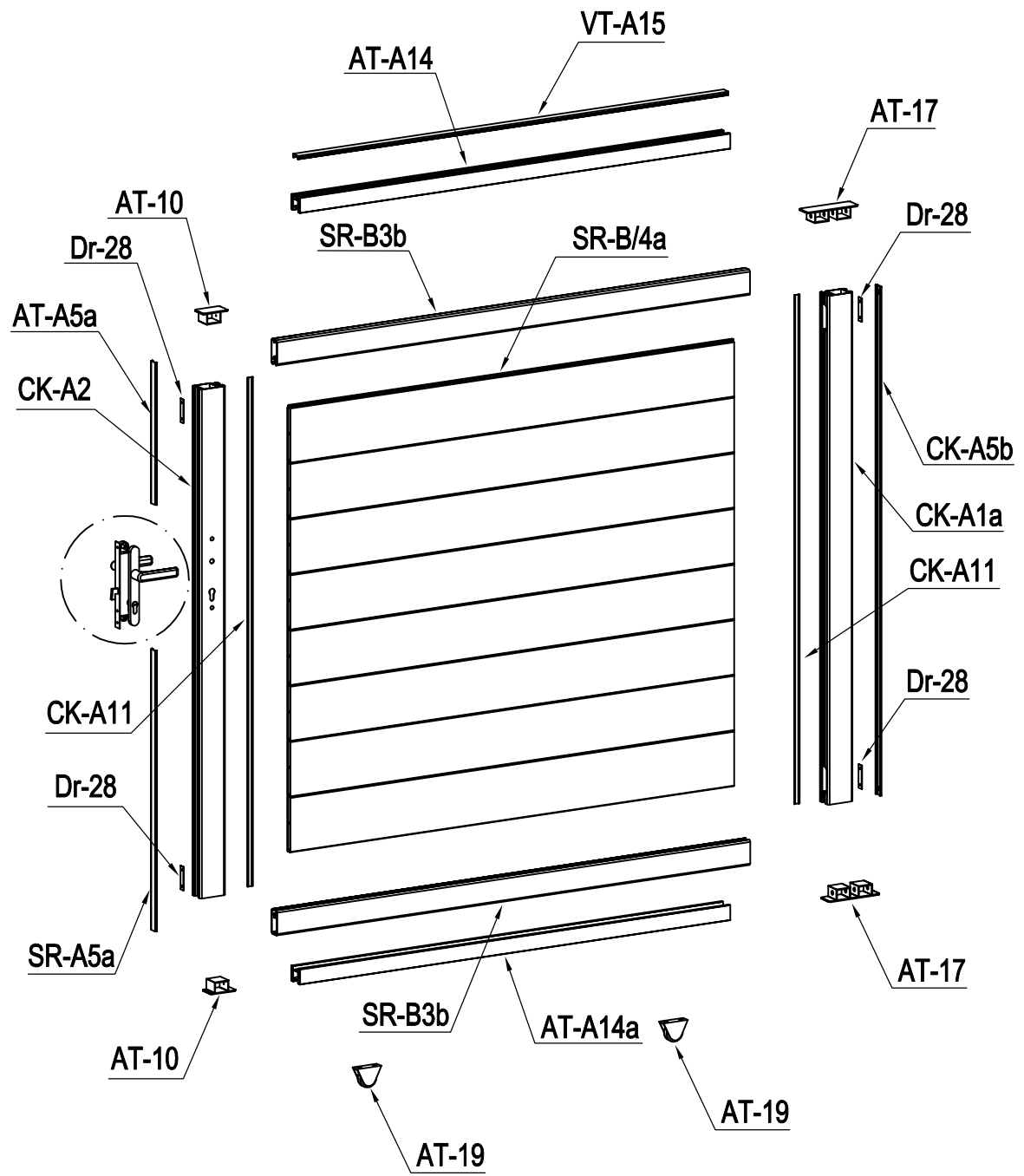


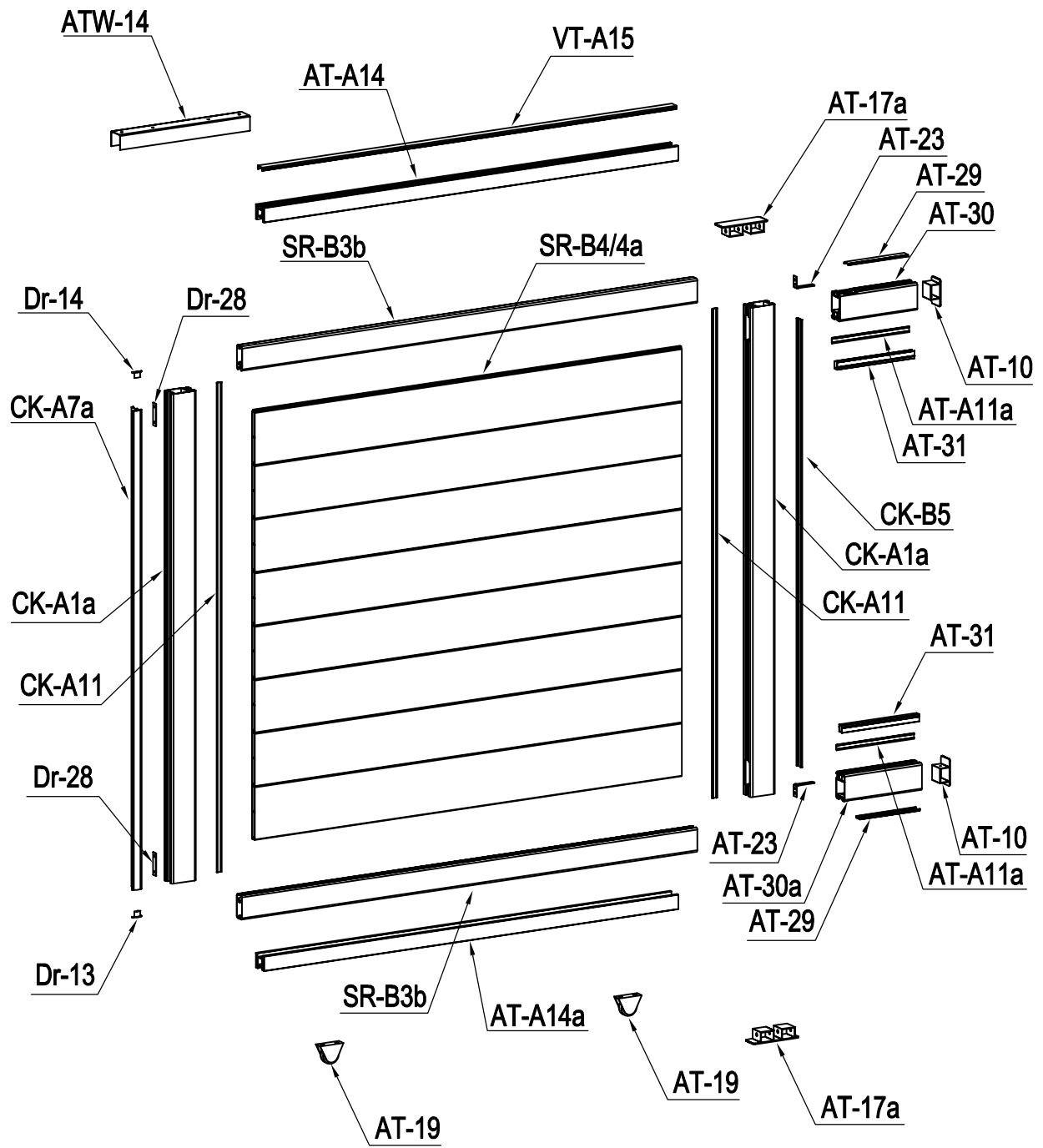
Ext.

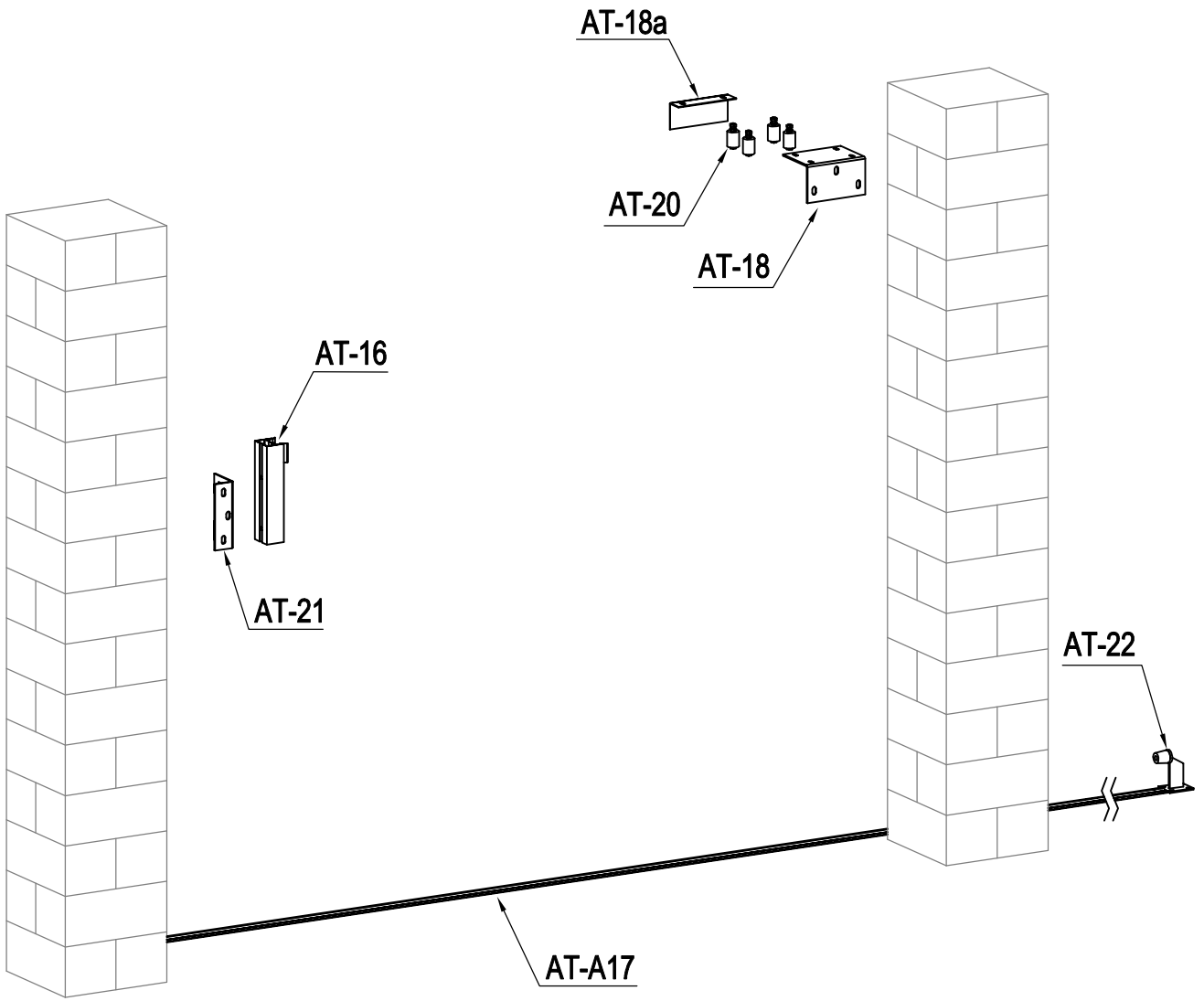


Int.

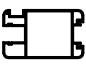




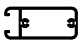

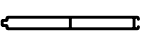

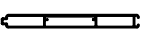

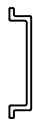



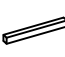






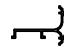

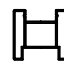


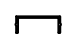








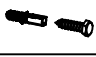









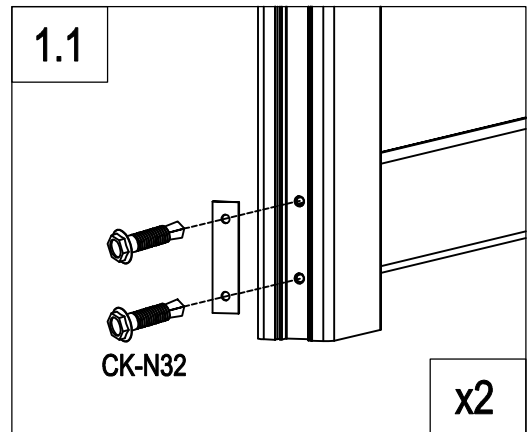
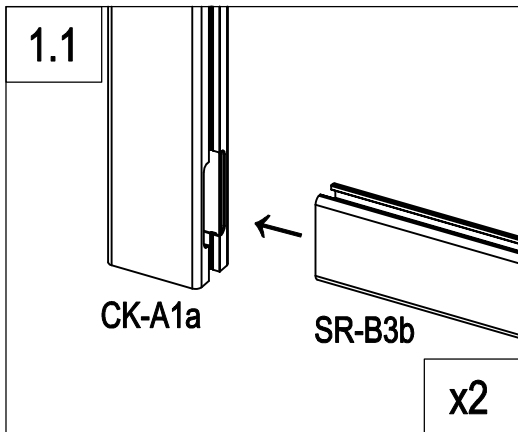
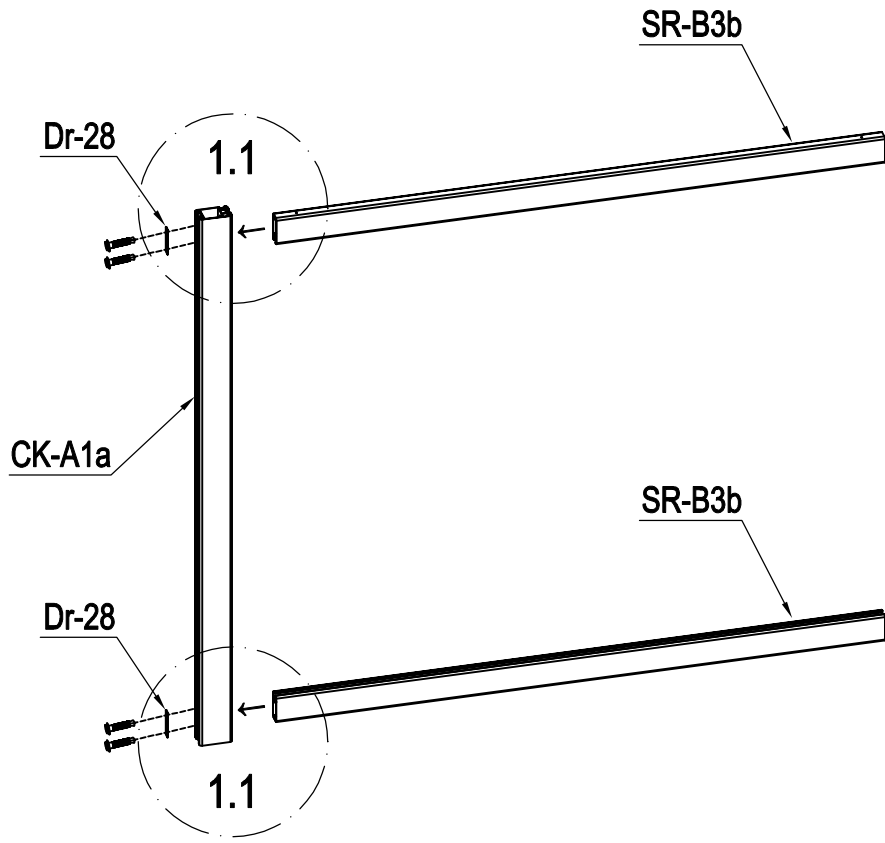


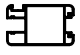
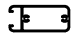




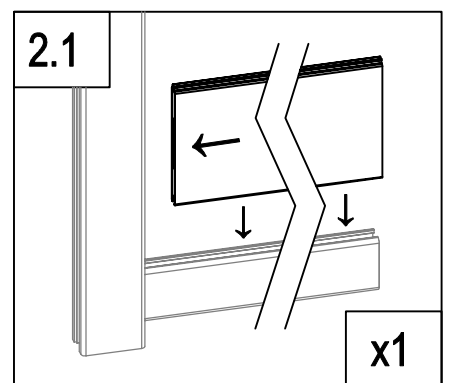
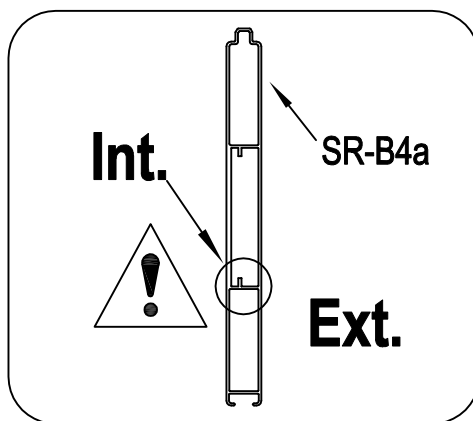
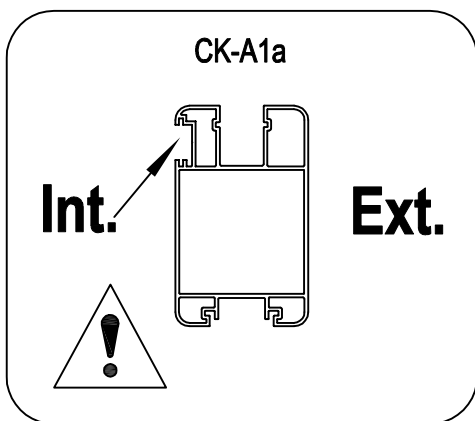
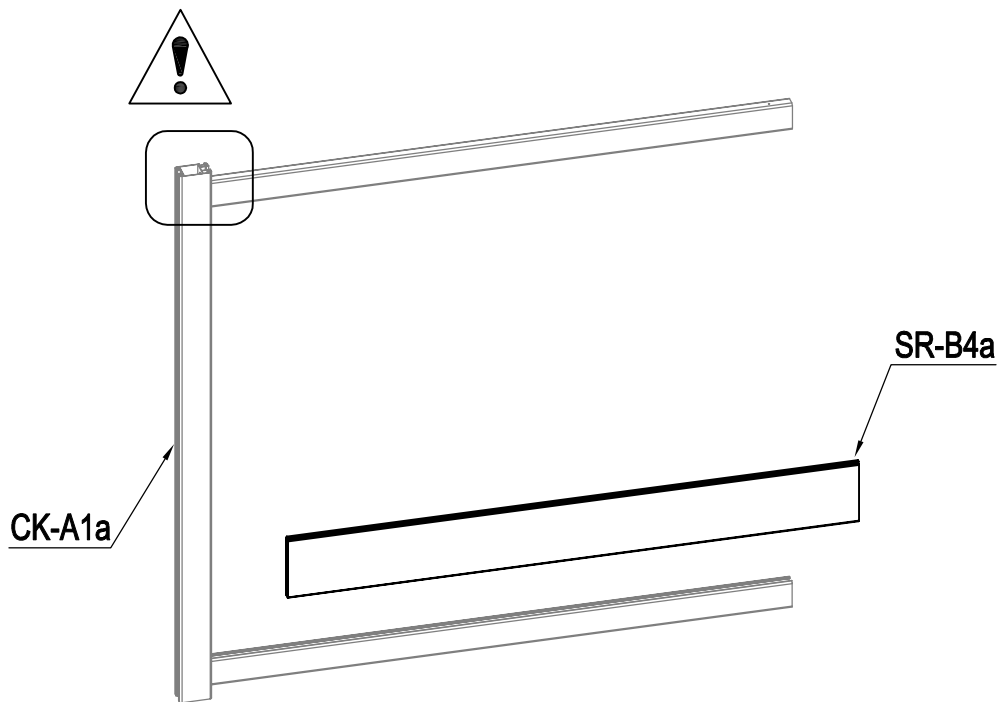



PART LIST

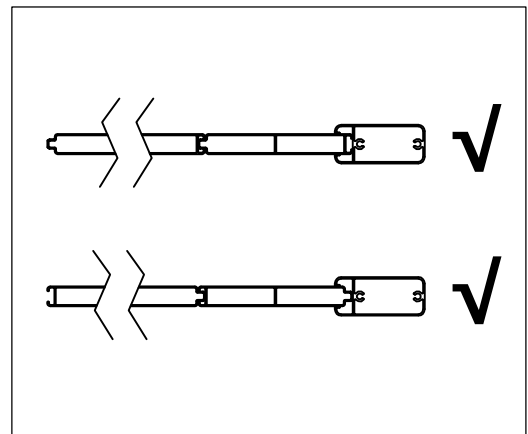
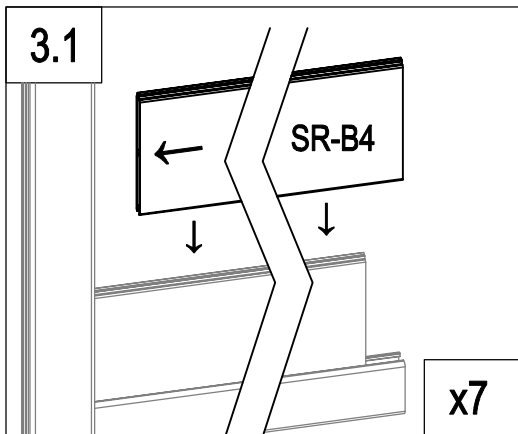
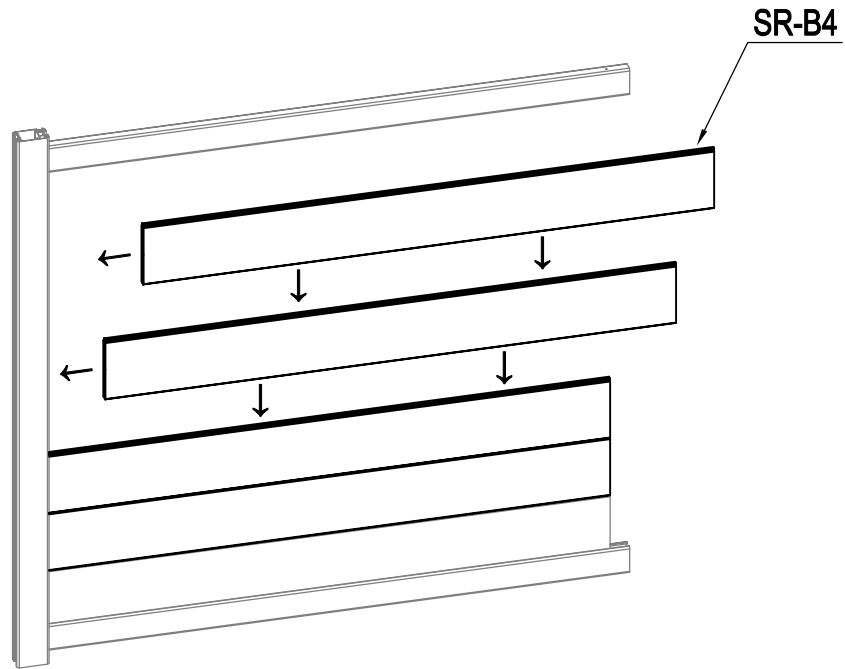
IMAGE	NO.	L.(mm)	QTY	IMAGE	NO.	L.(mm)	QTY
	CK-A1a	1418	3		AT-18a		1
	CK-A2	1418	1		AT-19		4
	AT-30	250	1		AT-20		4
	AT-30a	250	1		AT-21		1
	SR-B3b	1471	4		AT-22		1
	SR-B4	1380	14		AT-23		2
	SR-B4a	1380	2		Dr-18		1
	CK-B5	1293	1		Dr-19		1
	AT-A5a	395.5	1		Dr-20a		1
	SR-A5a	782	1		Dr-21		1
	CK-A5b	1418	1		Dr-22		1
	AT-29	193	2		Dr-25		1
	CK-A11	1418	4		Dr-25a		2
	AT-A11a	250	2		Dr-27		2
	AT-31	250	2		CK-N30		4
	CK-A7a	1365	1		CK-N31		10
	AT-A14	1338	2		CK-N32		28
	AT-A14a	1338	2		CK-N33		4
	VT-A15	1337	2		CK-N34		68
	AT-16	260	1		CK-N35		6
	AT-A17	1212	5		CK-N36		2
	AT-17		2		CK-N37		8
	AT-17a		2		CK-N38		40
	AT-10		4		Dr-28		6
	Dr-13		1		AT-22J		7
	Dr-14		1		ATW-14		1
	AT-18		1				

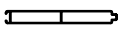


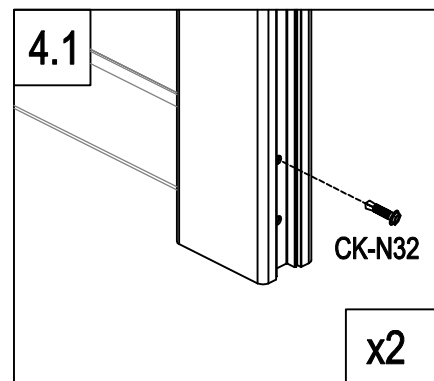
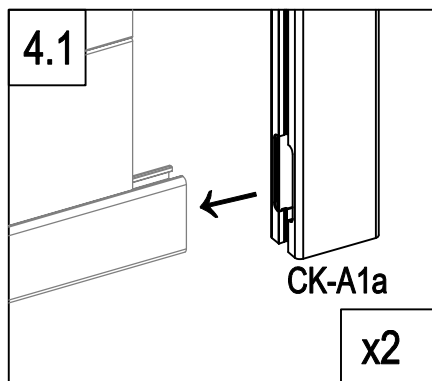
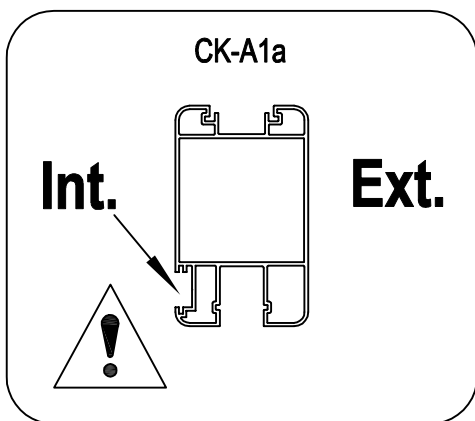
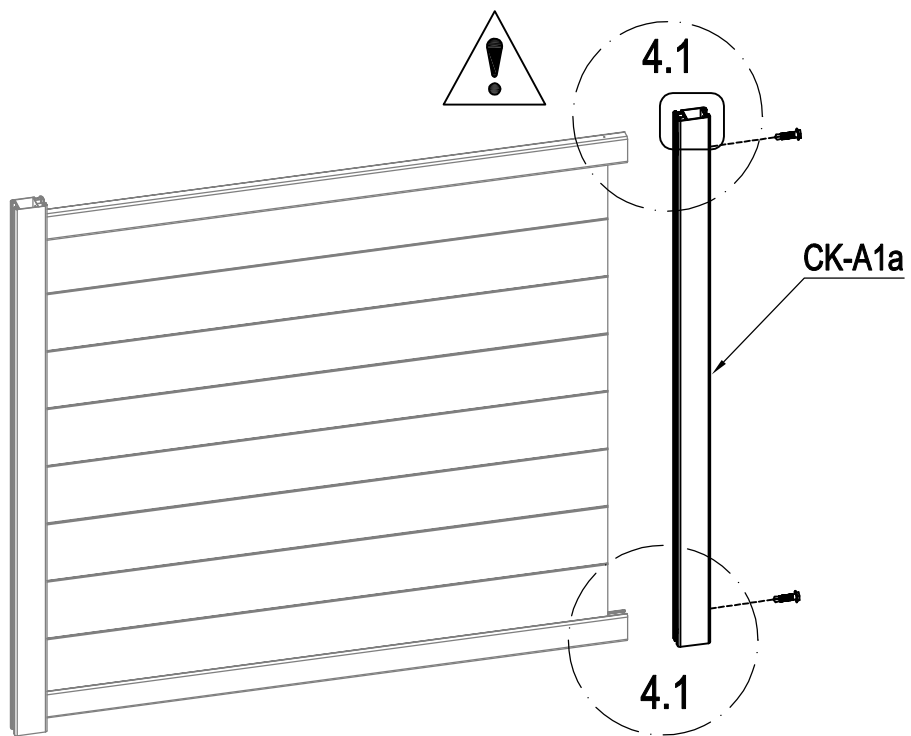
	CK-A1a	1
	SR-B3b	2
	Dr-28	2
	CK-N32	4

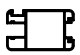



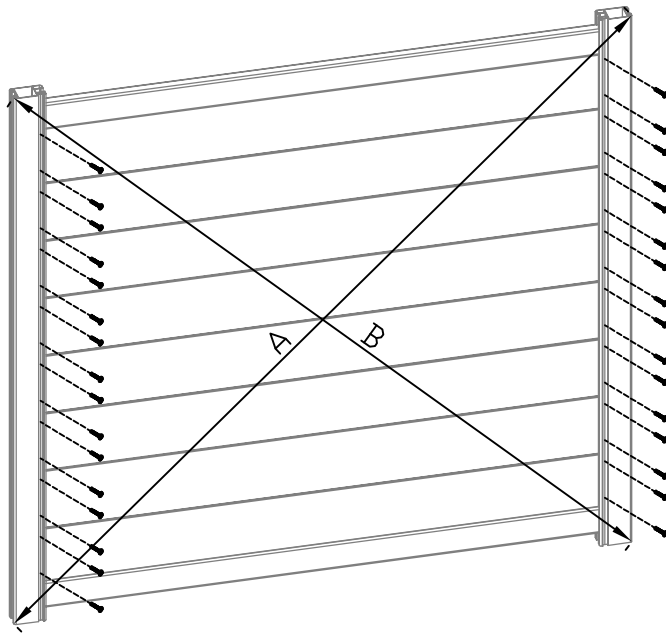
	SR-B4a	1
---	--------	---



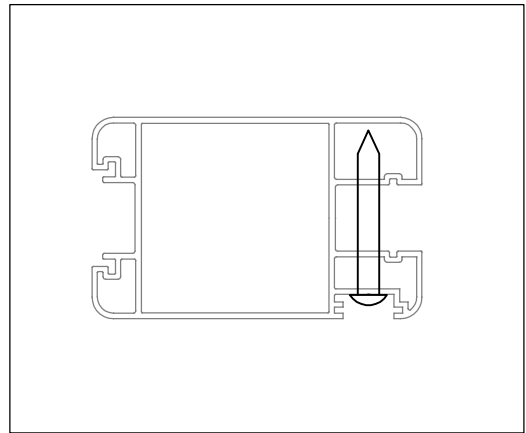
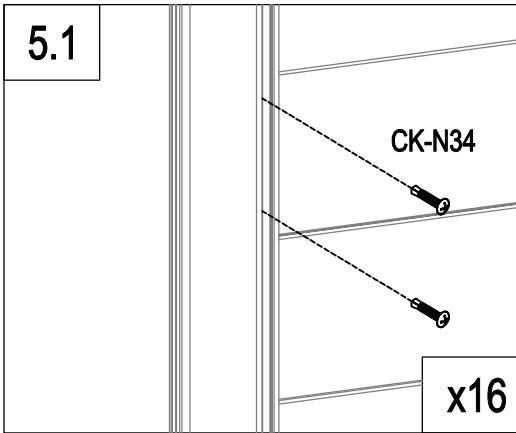
	SR-B4	7
---	-------	---




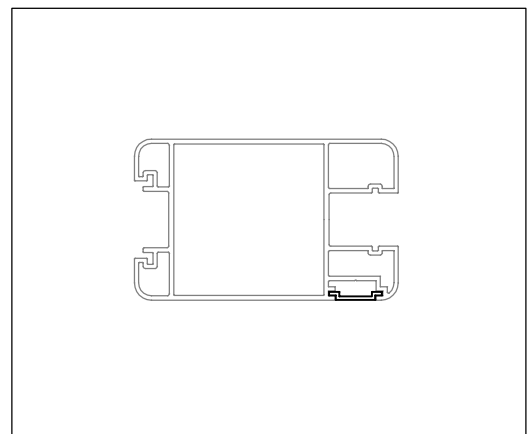
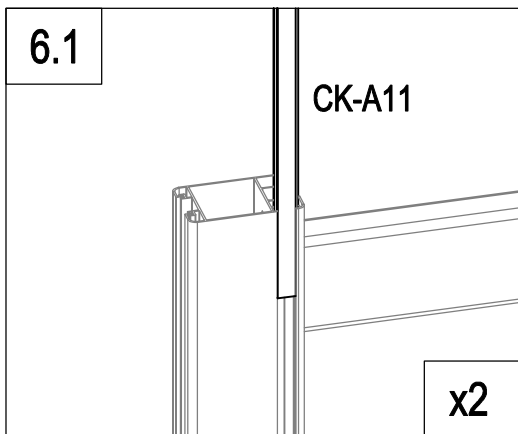
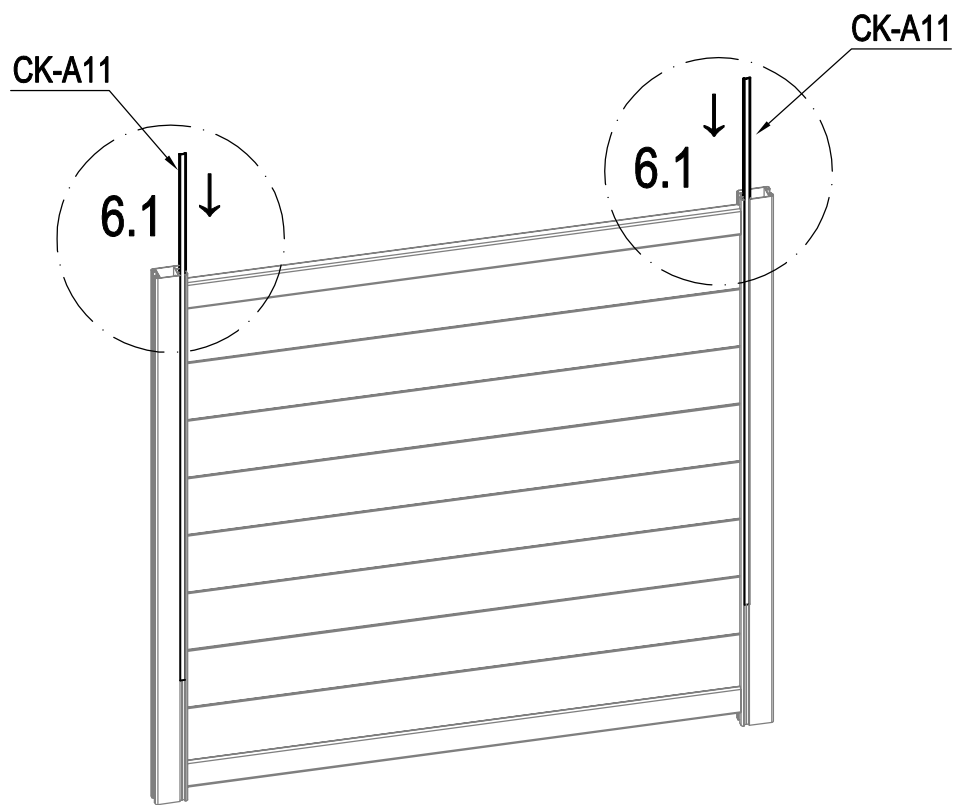
	CK-A1a	1
	CK-N32	2




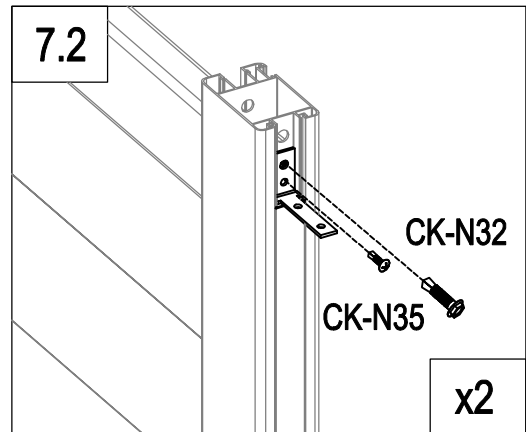
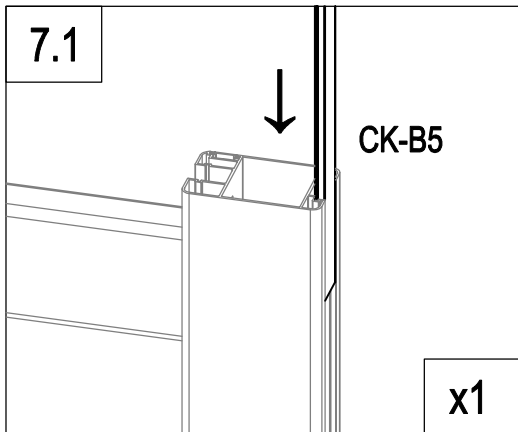
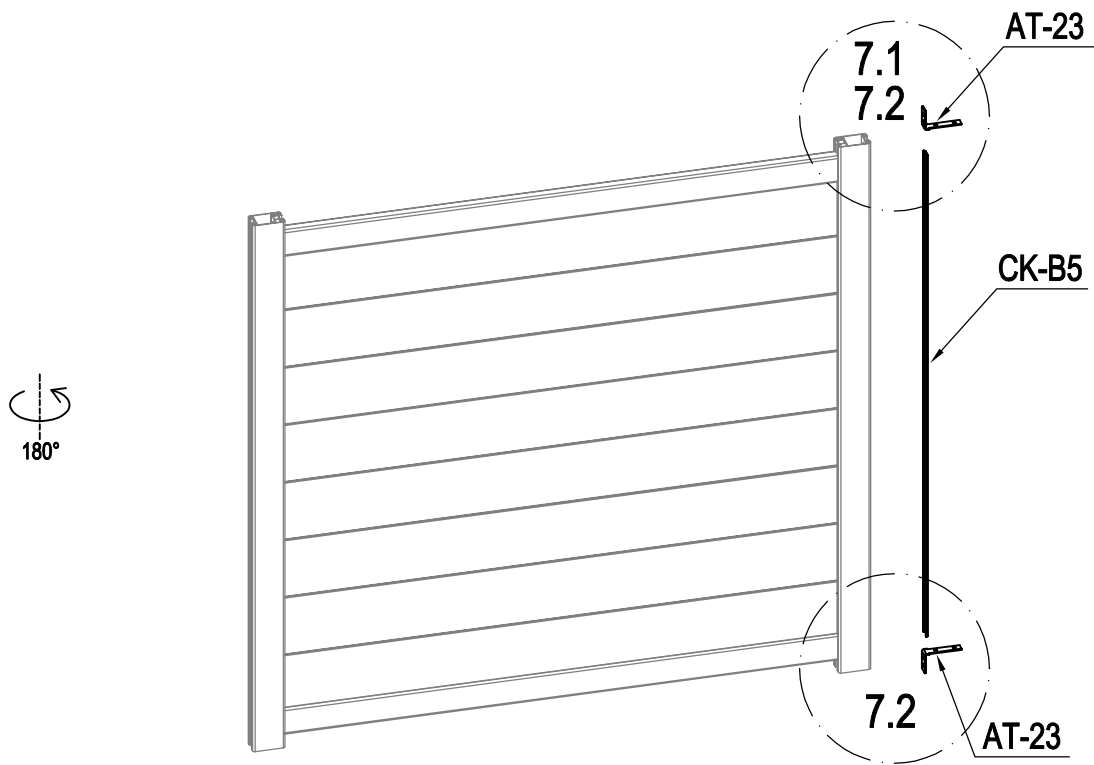
A=B




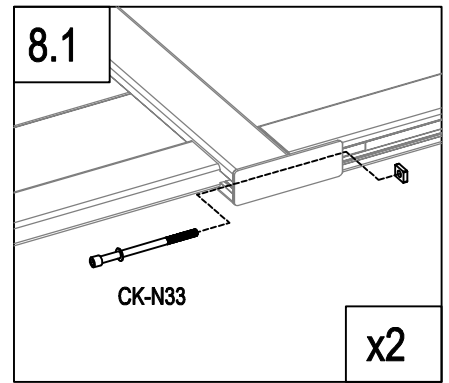
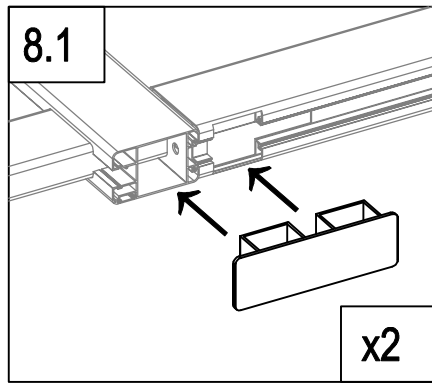
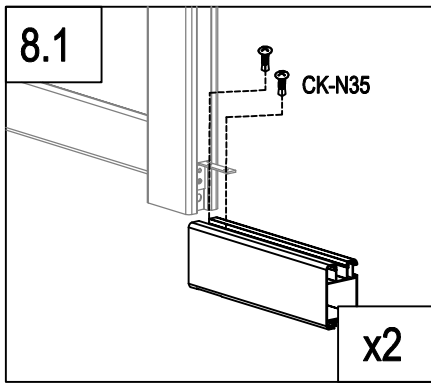
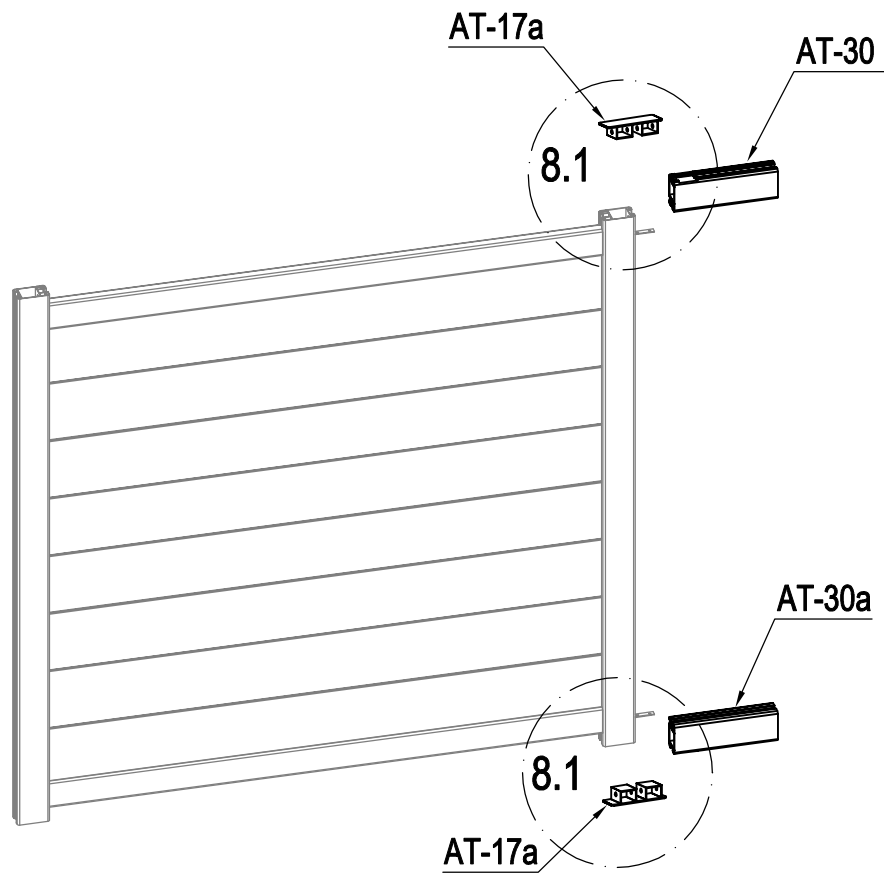
	CK-N34	32
---	--------	----

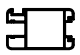





	CK-A11	2
---	--------	---

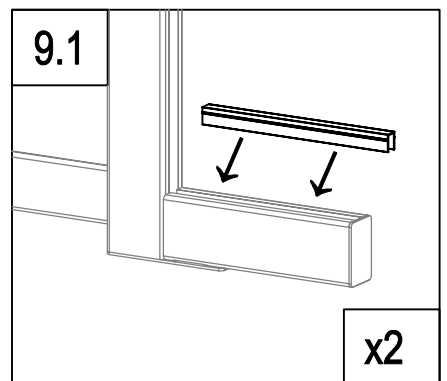
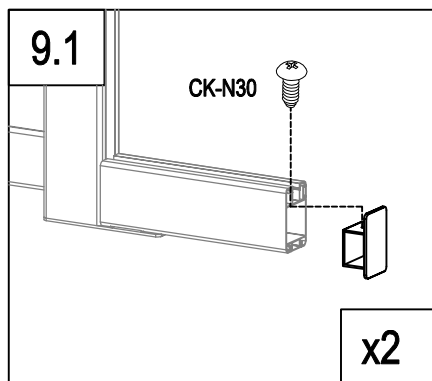
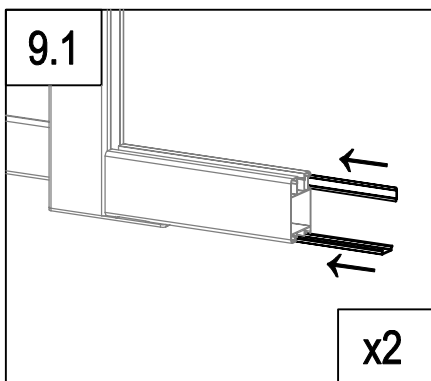
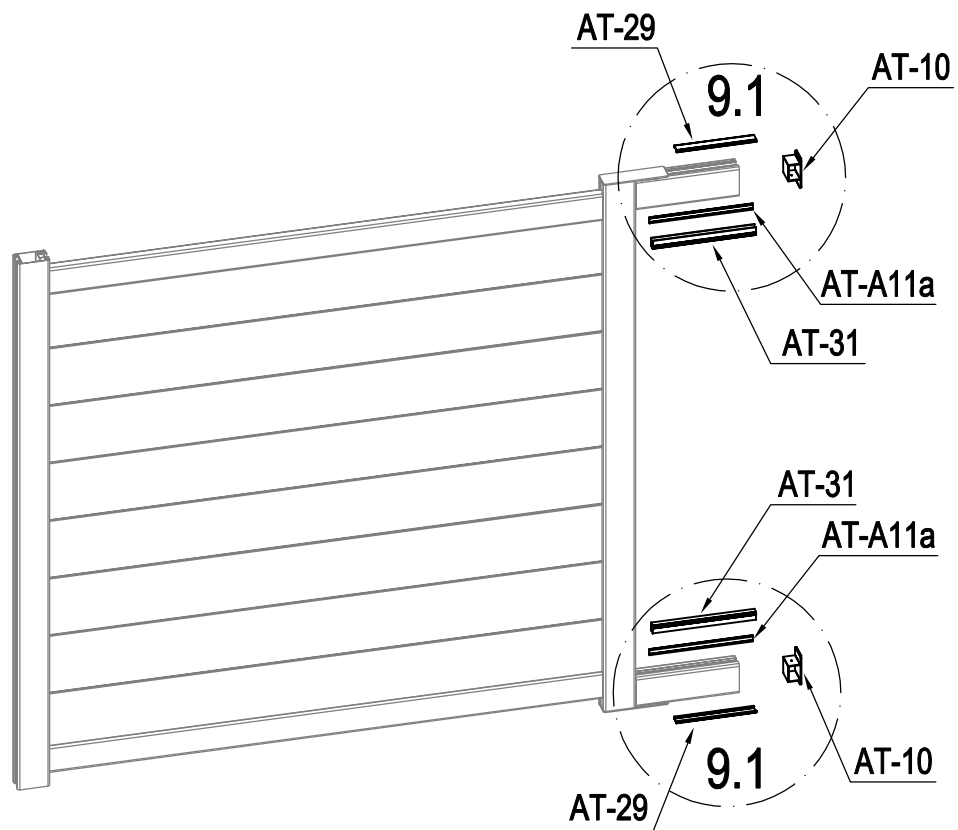


	CK-B5	1
	AT-23	2
	CK-N32	2
	CK-N35	2



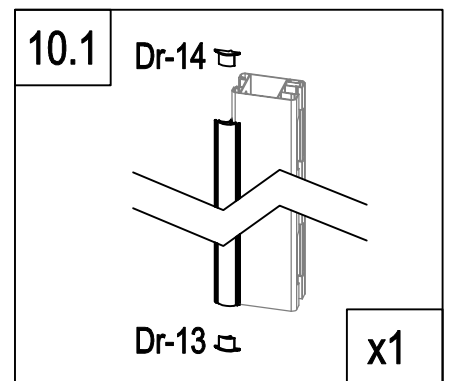
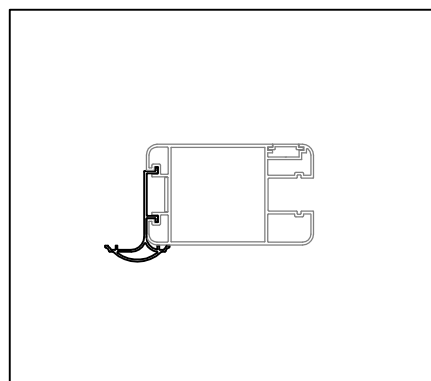
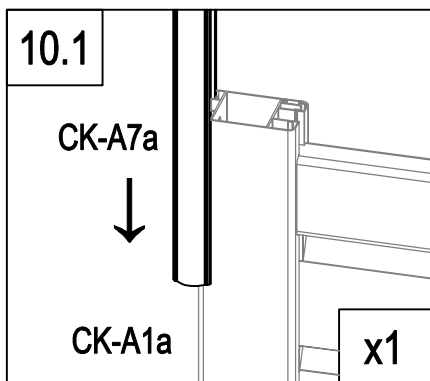
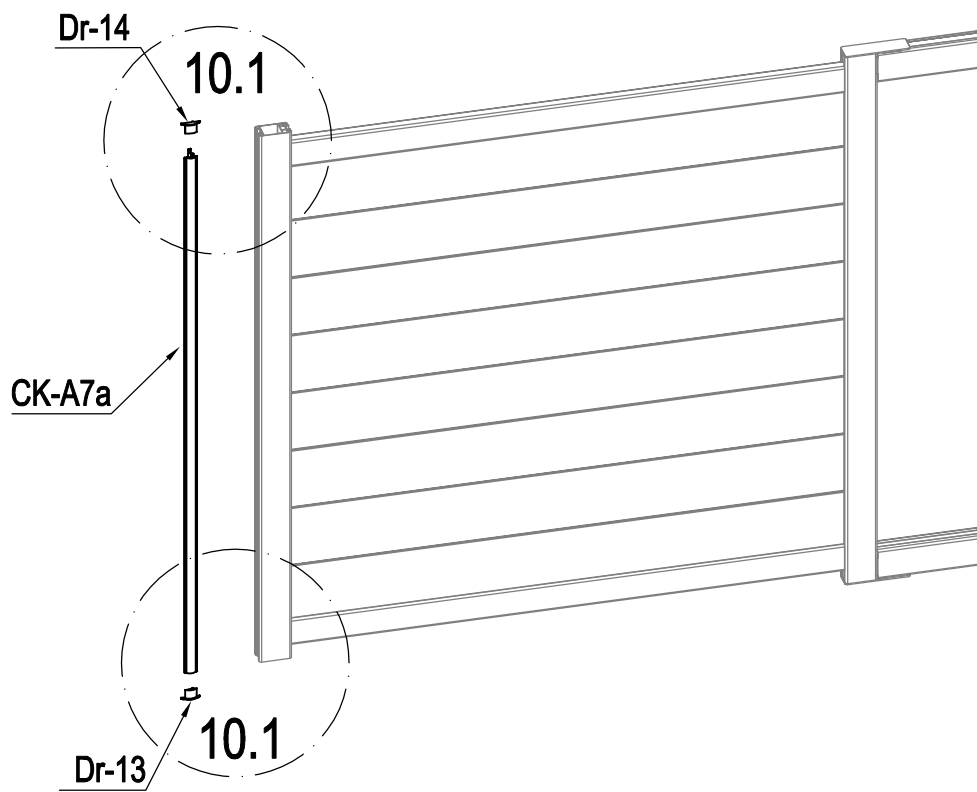
	AT-30	1
	AT-30a	1
	AT-17a	2

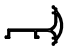


	CK-N33	2
	CK-N35	4

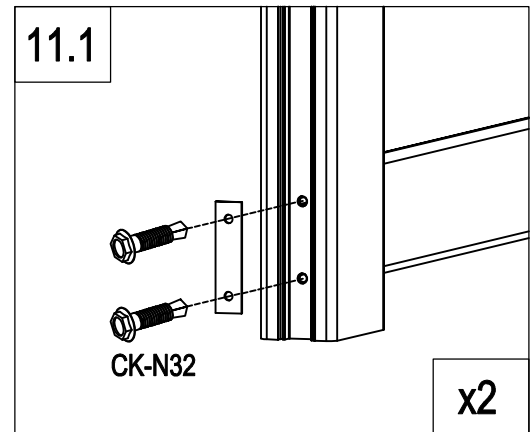
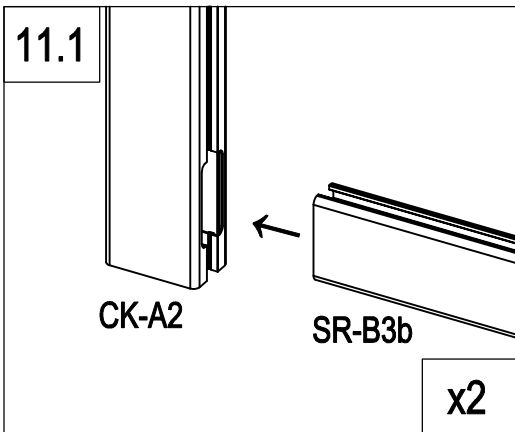
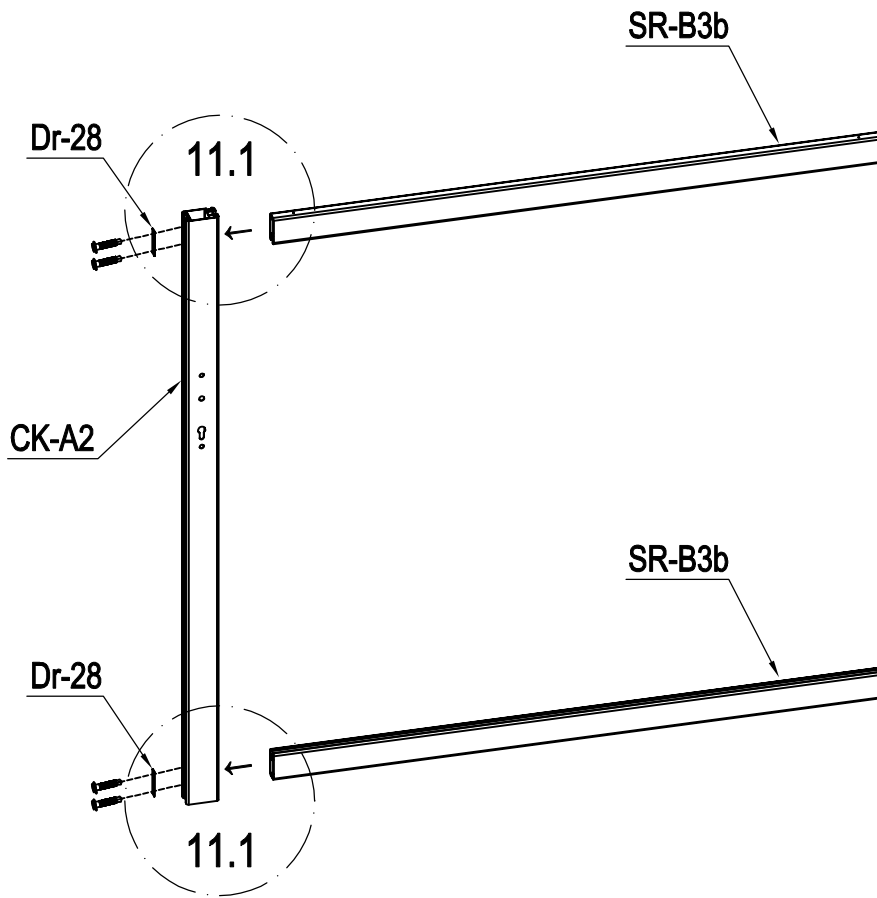


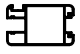
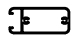


	AT-29	2
	AT-A11a	2
	AT-31	2

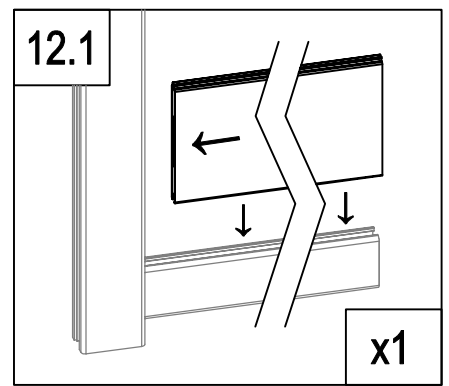
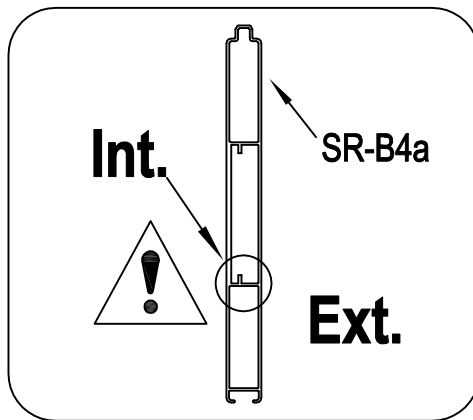
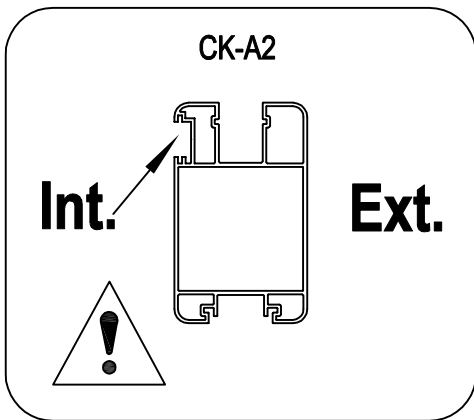
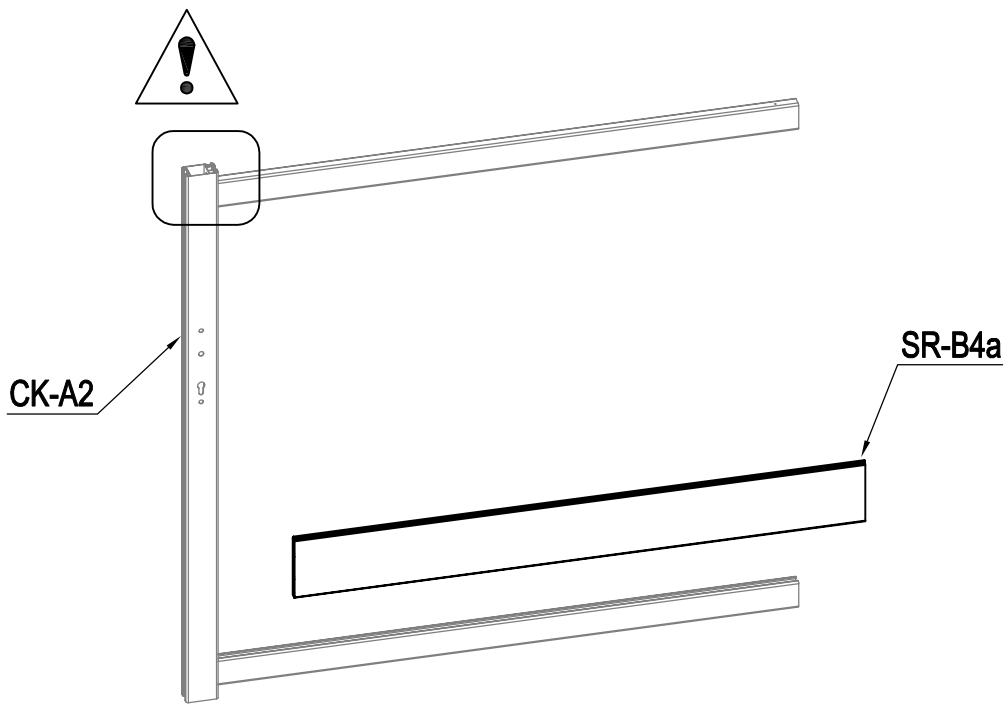
	AT-10	2
	CK-N30	2

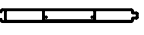


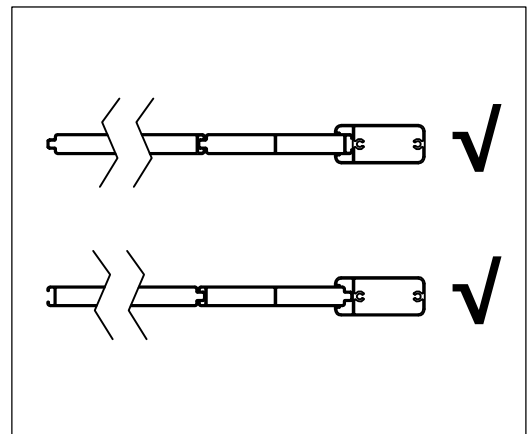
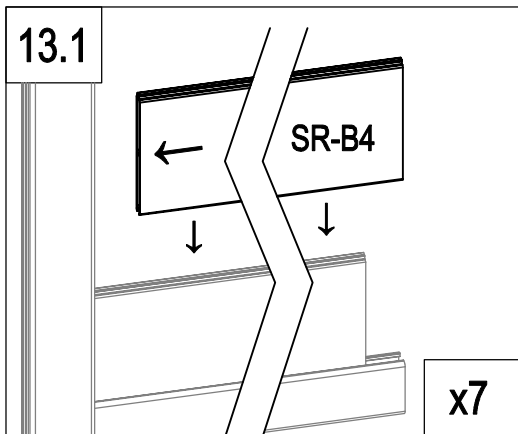
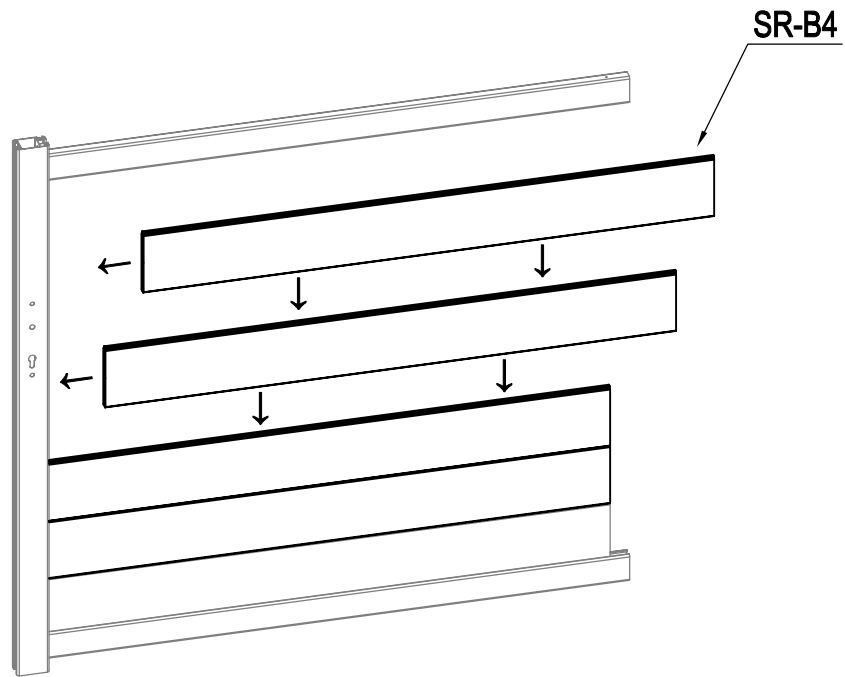
	CK-A7a	1
	Dr-13	1
	Dr-14	1

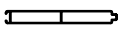


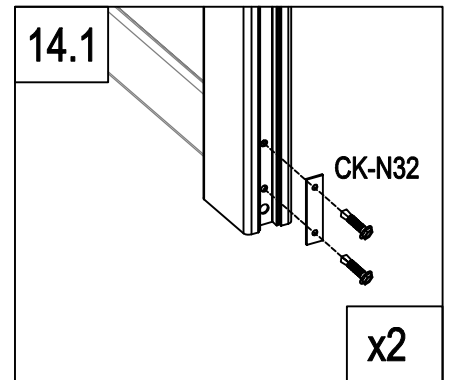
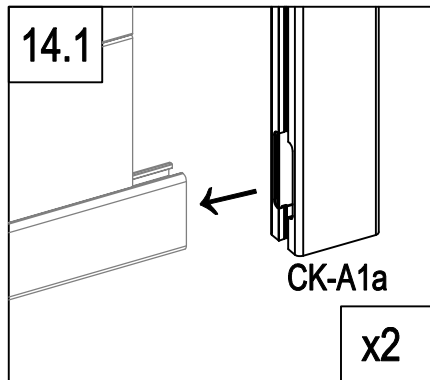
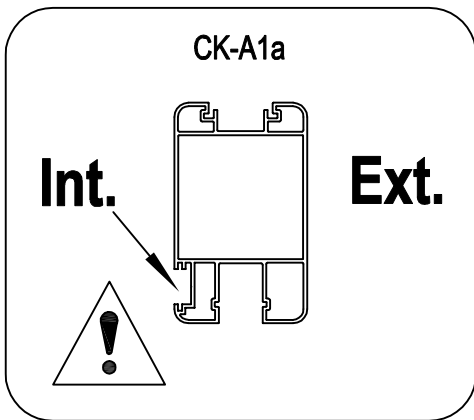
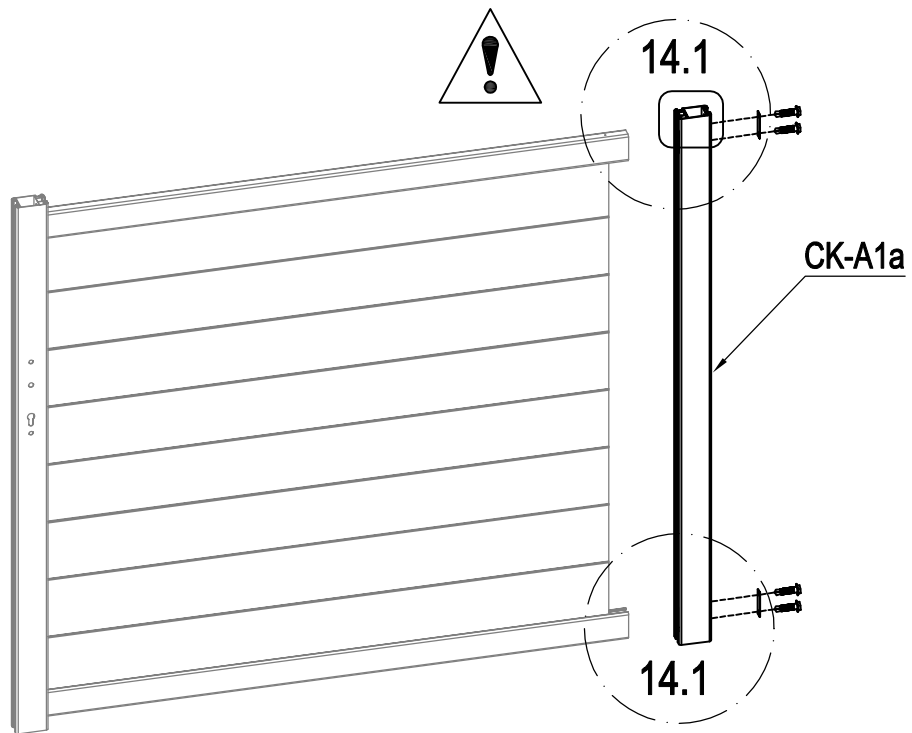
	CK-A2	1
	SR-B3b	2
	Dr-28	2
	CK-N32	4

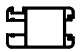




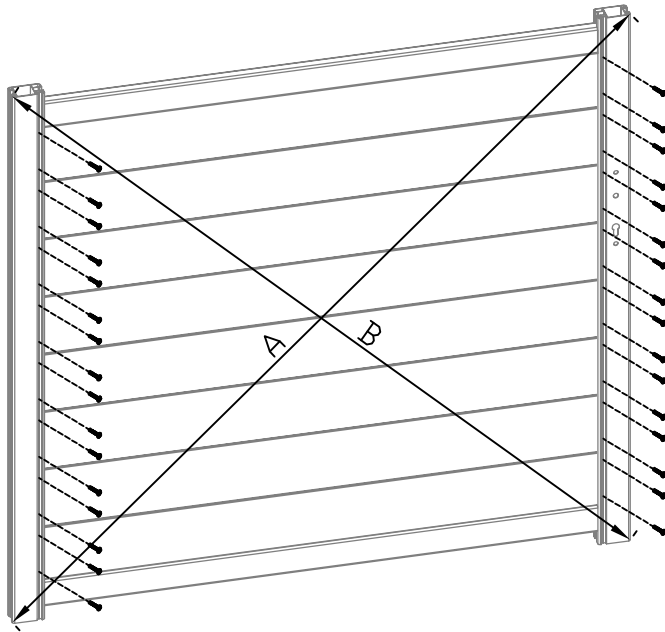
	SR-B4a	1
---	--------	---



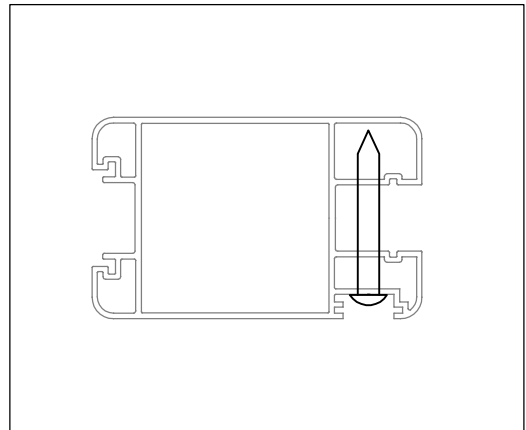
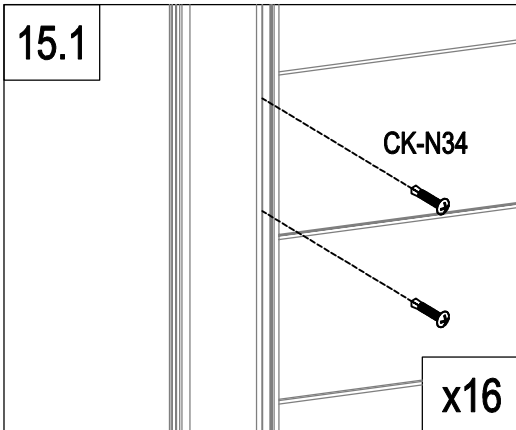
	SR-B4	7
---	-------	---




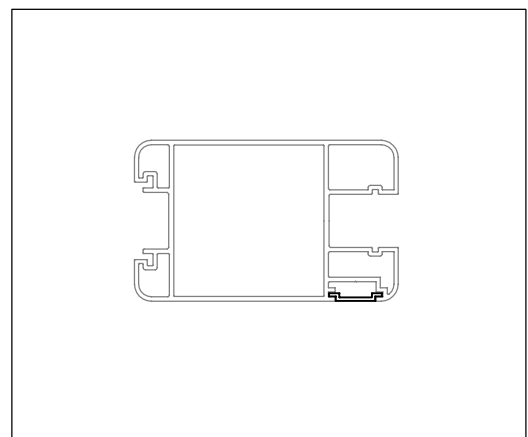
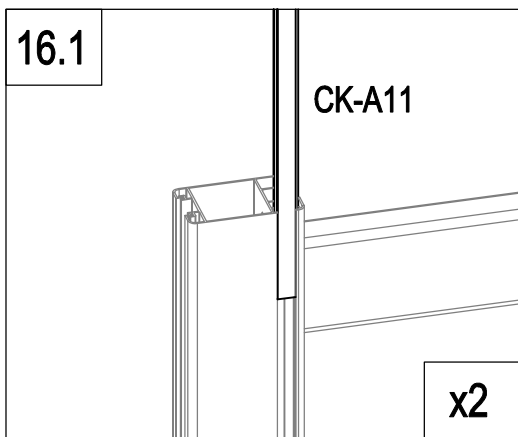
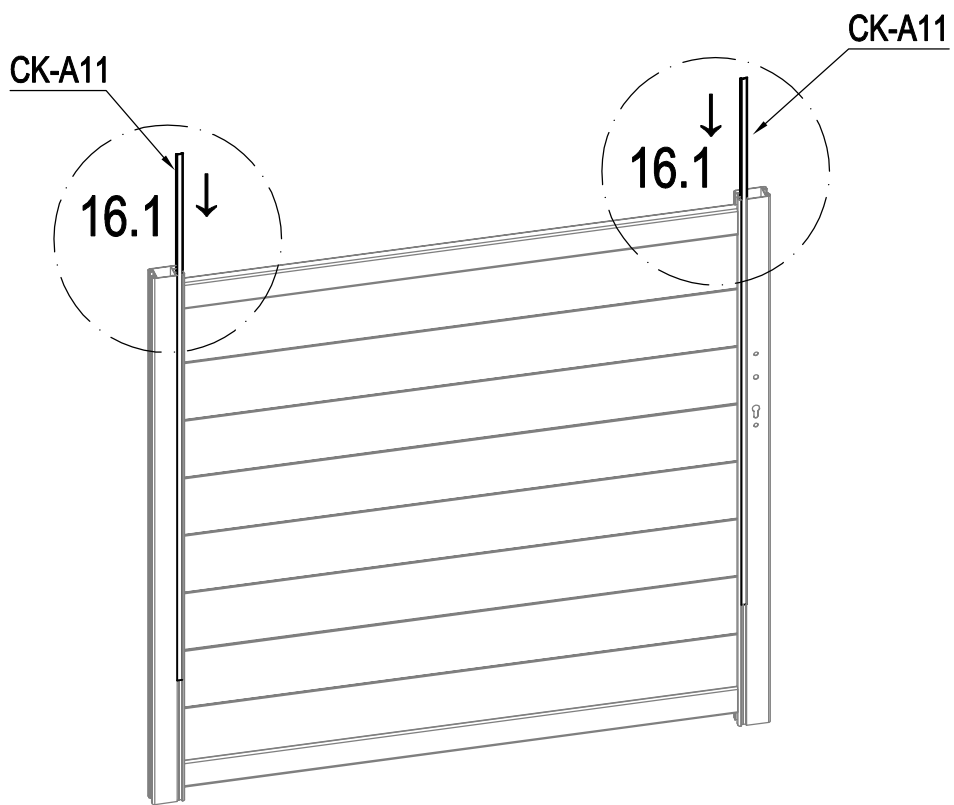
	CK-A1a	1
	Dr-28	2
	CK-N32	4




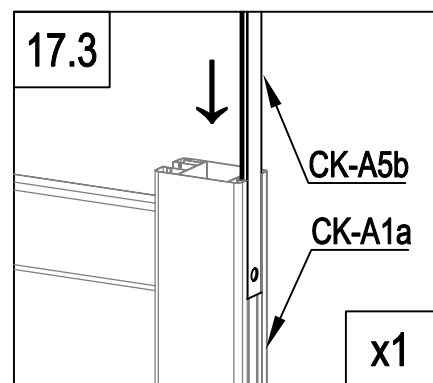
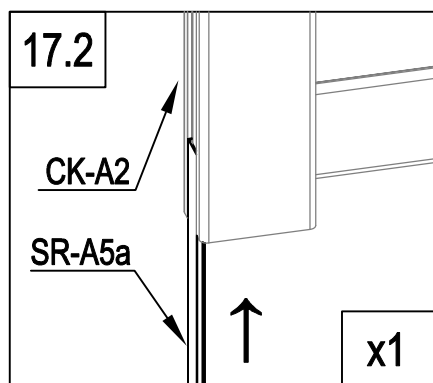
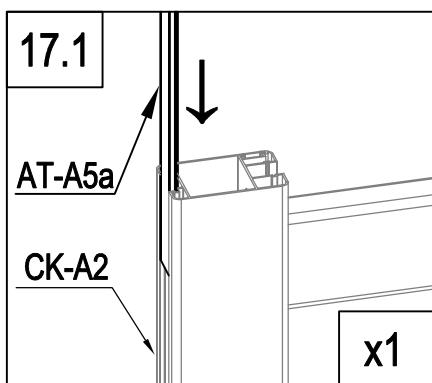
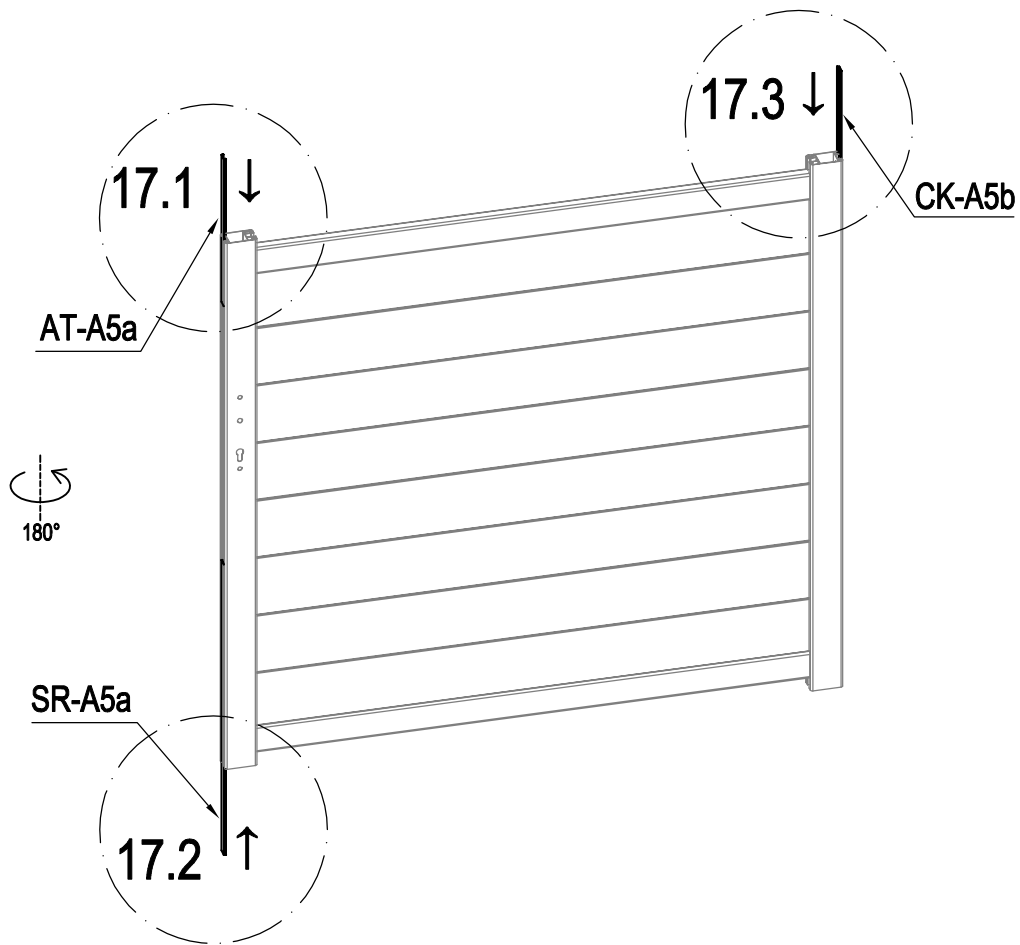
A=B




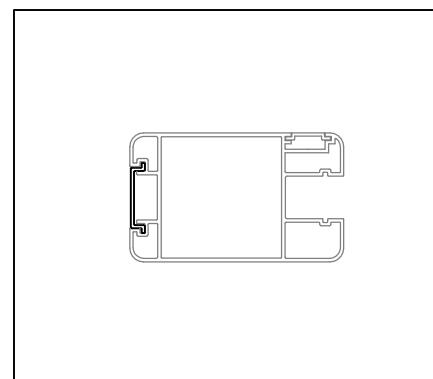
	CK-N34	32
---	--------	----

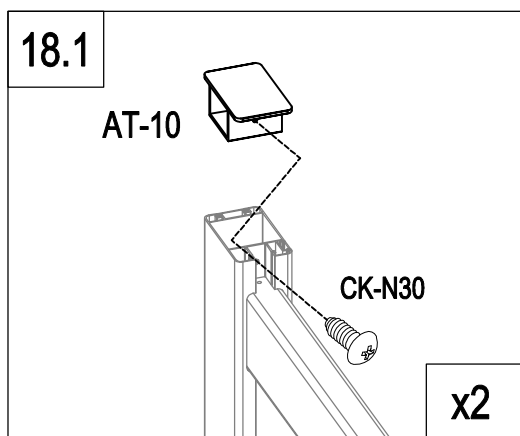
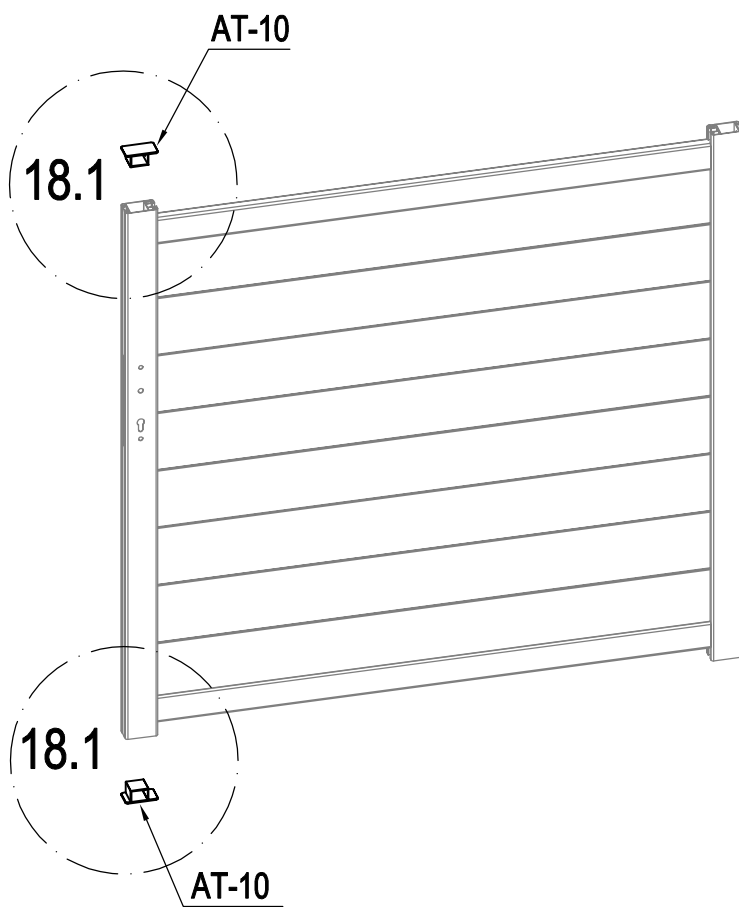




	CK-A11	2
---	--------	---

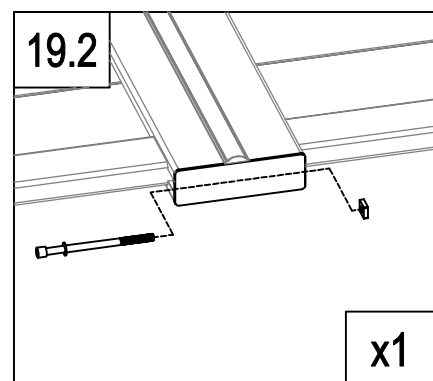
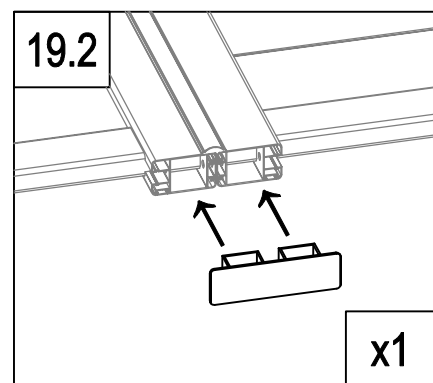
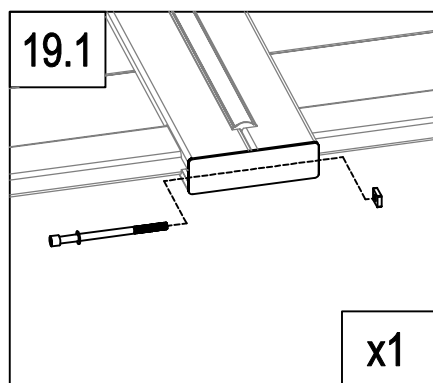
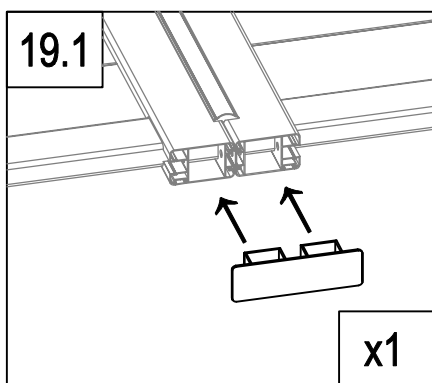
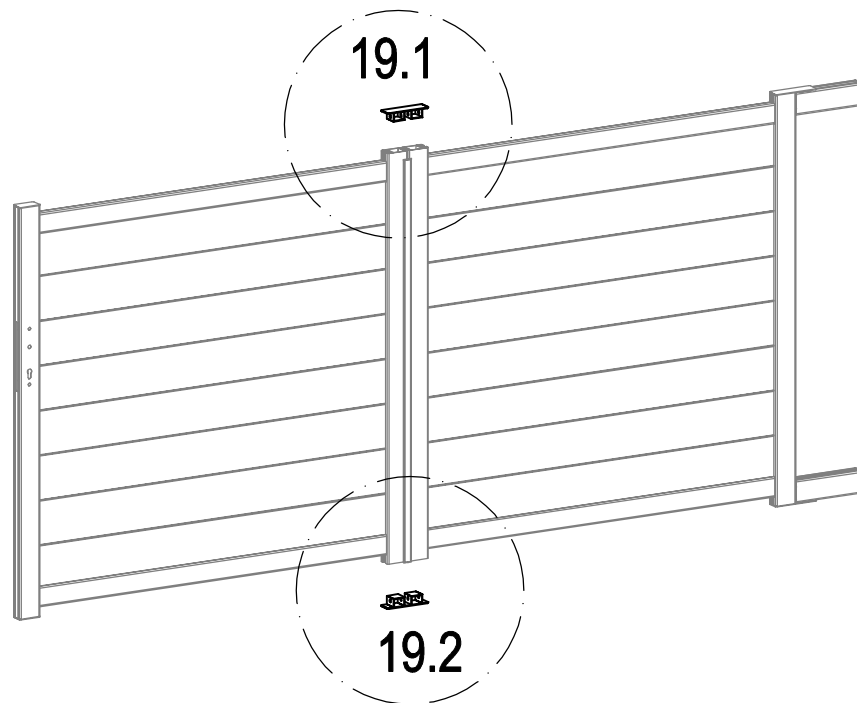




	CK-A5b	1
	AT-A5a	1
	SR-A5a	1

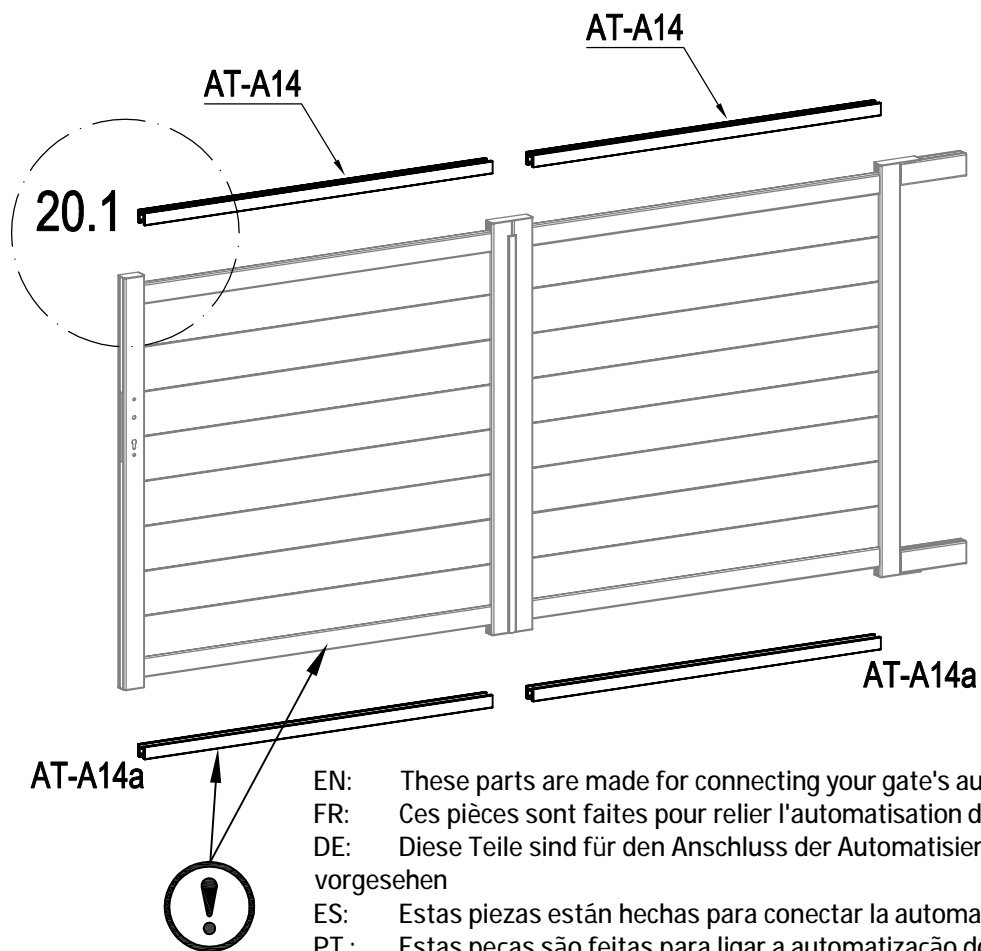




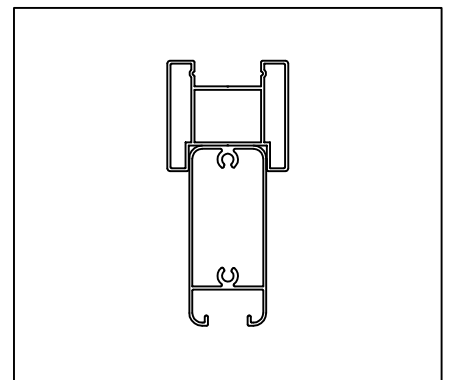
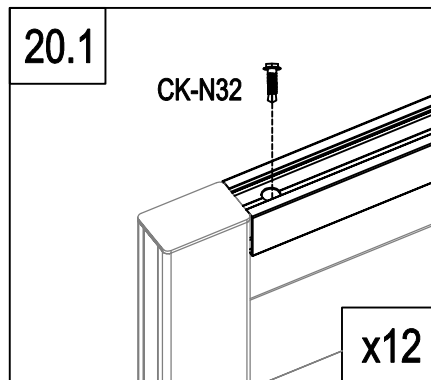
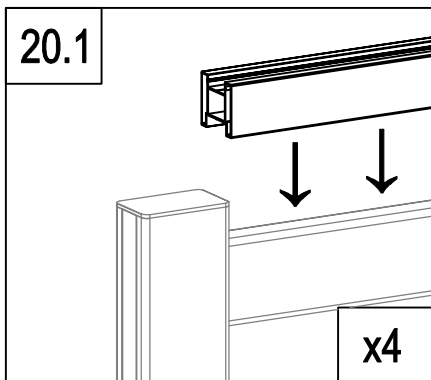
	AT-10	2
	CK-N30	2





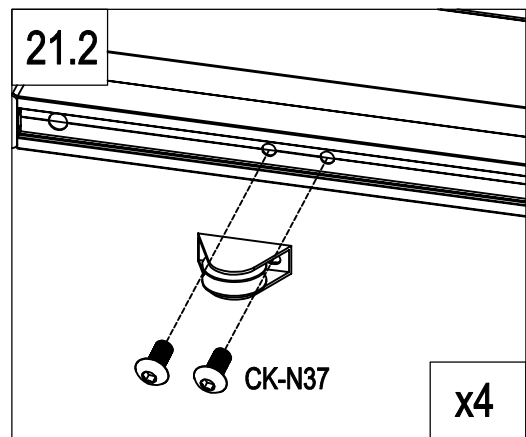
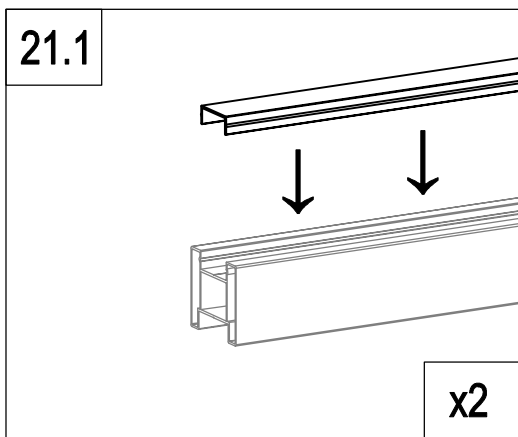
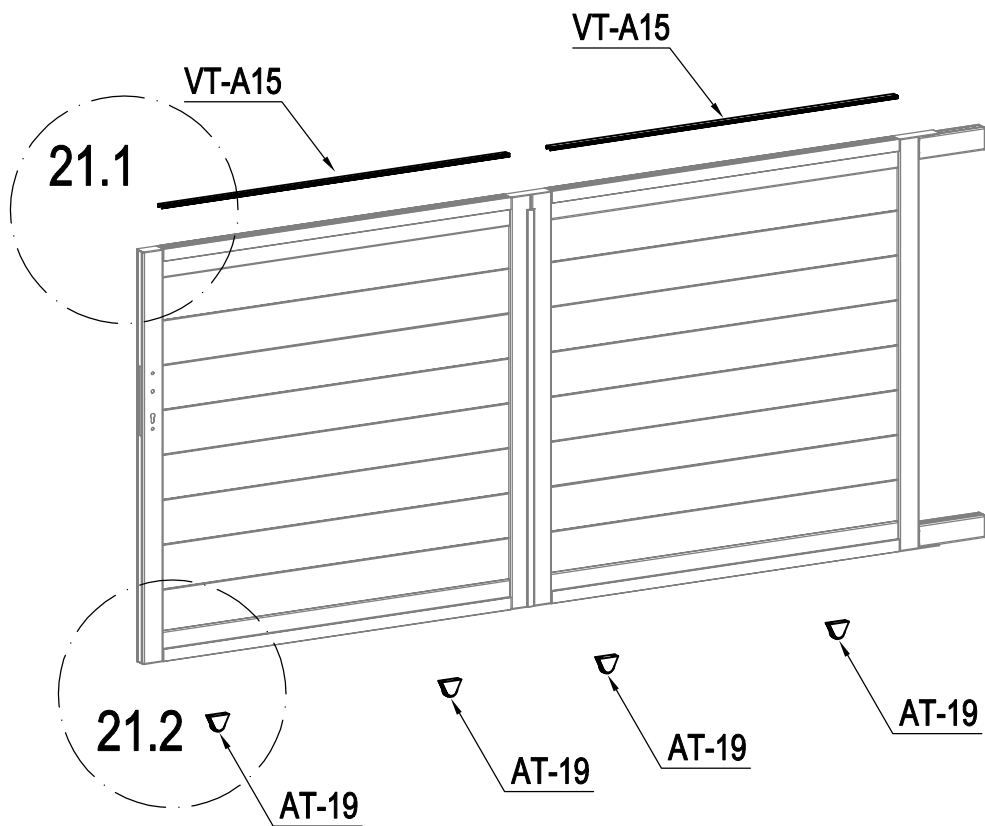
	AT-17	2
	CK-N33	2

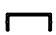




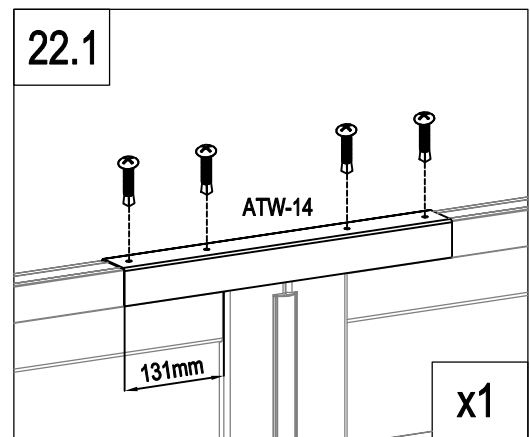
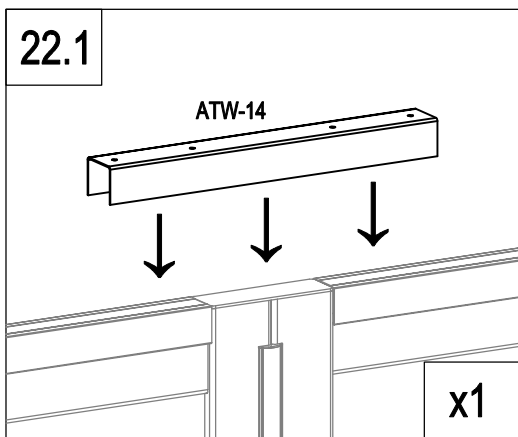
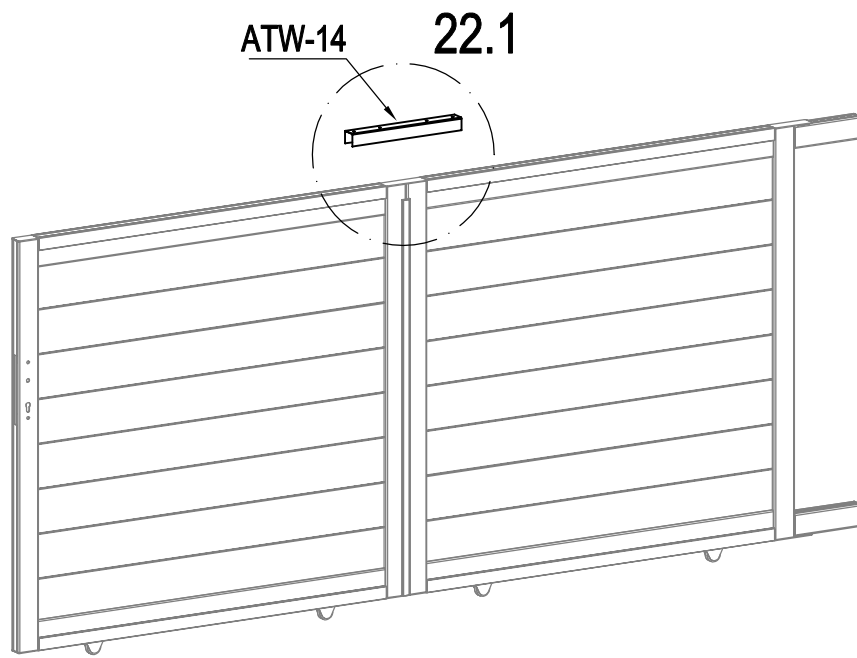
EN: These parts are made for connecting your gate's automation
 FR: Ces pièces sont faites pour relier l'automatisation de votre portail
 DE: Diese Teile sind für den Anschluss der Automatisierung Ihres Tores vorgesehen
 ES: Estas piezas están hechas para conectar la automatización de su puerta
 PT: Estas peças são feitas para ligar a automização do seu portão
 IT: Queste parti sono realizzate per collegare l'automazione del vostro cancello
 NL: Deze onderdelen zijn gemaakt voor het aansluiten van de automatisering van uw poort.
 PL: Te części są wykonane do podłączenia automatyki bramy.





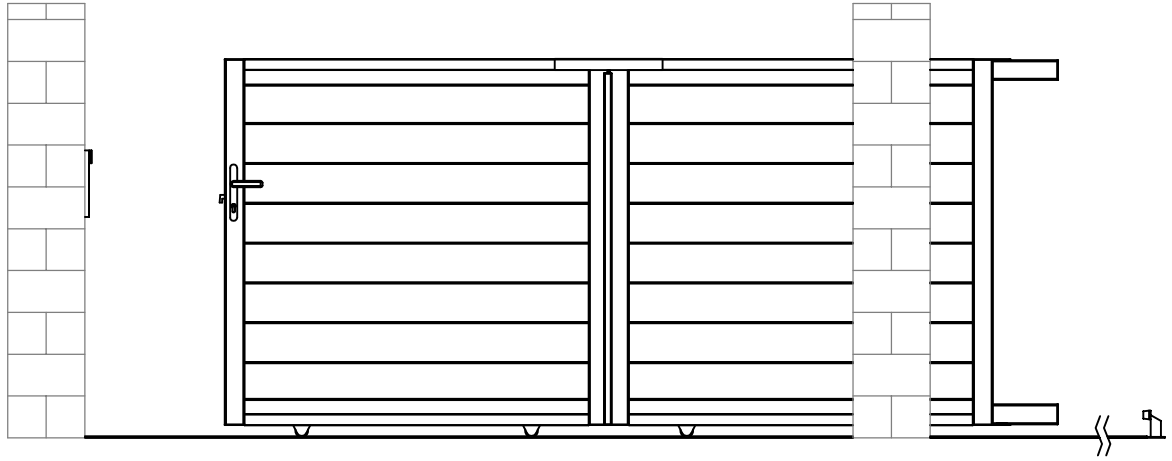
	AT-A14	2
	AT-A14a	2
	CK-N32	12



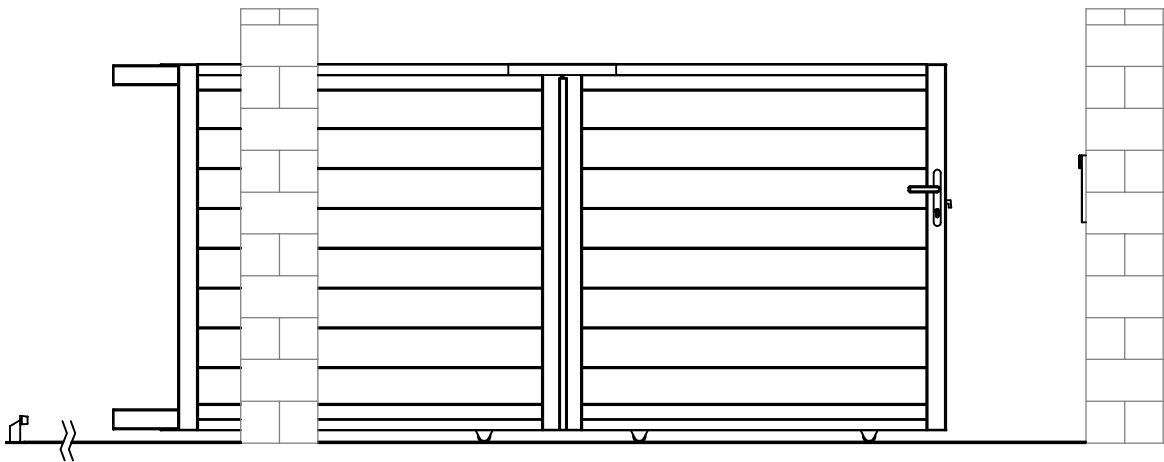
	VT-A15	2
	AT-19	4
	CK-N37	8



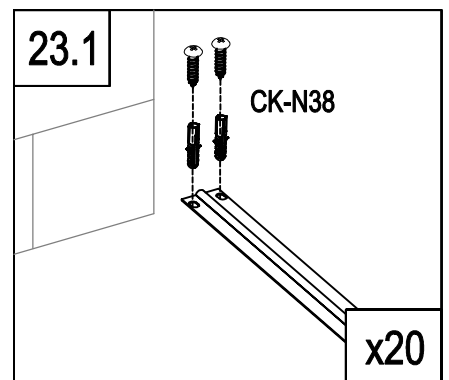
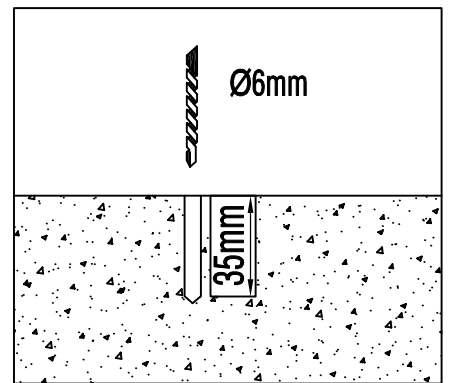
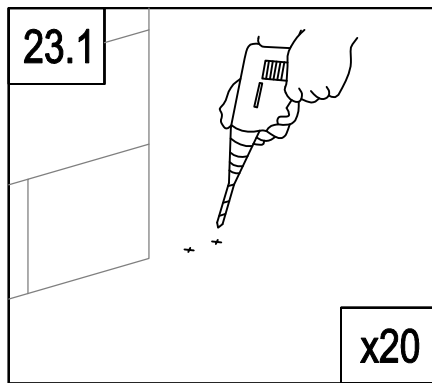
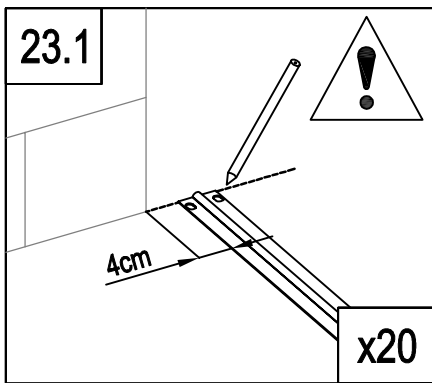
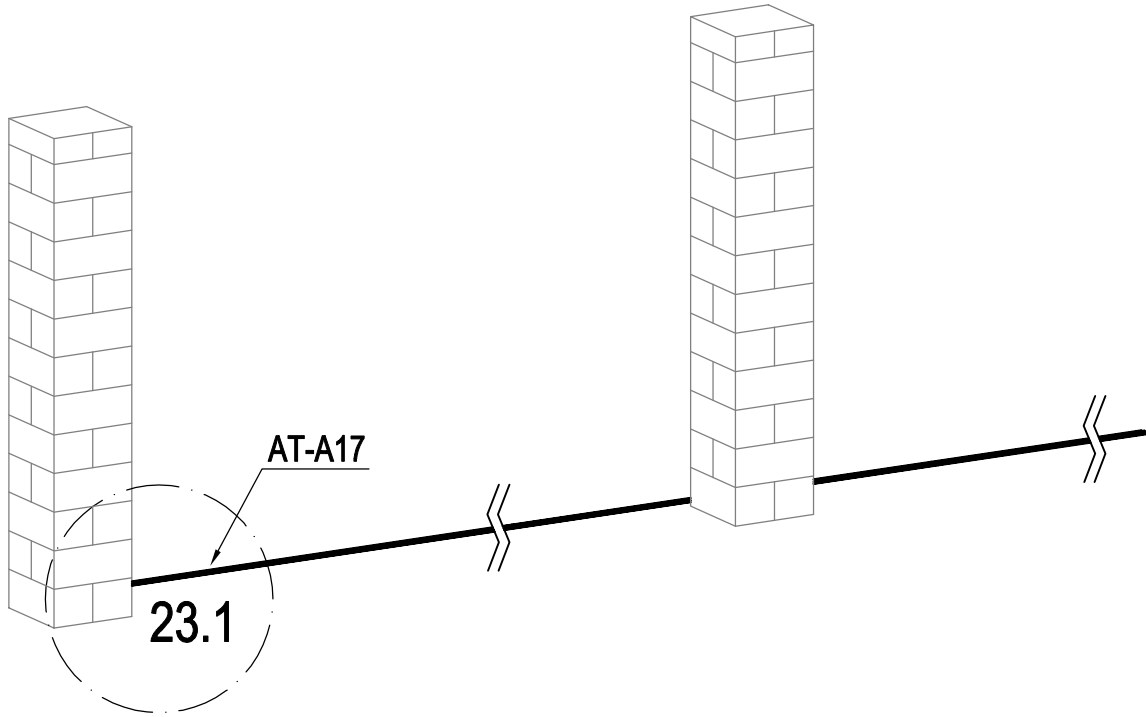
	ATW-14	1
	CK-N34	4





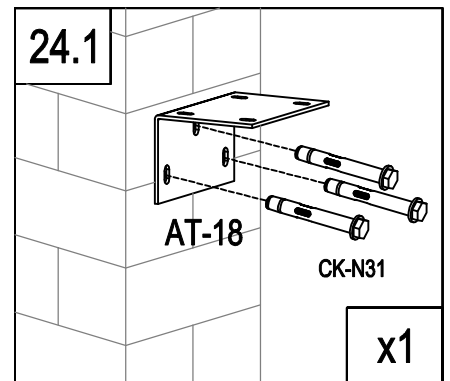
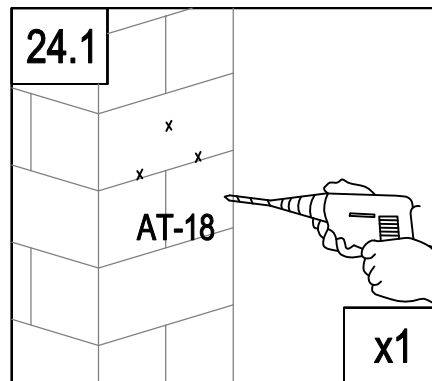
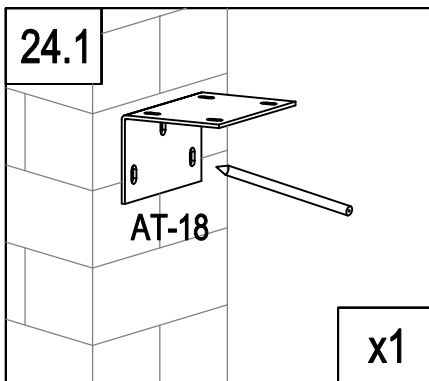
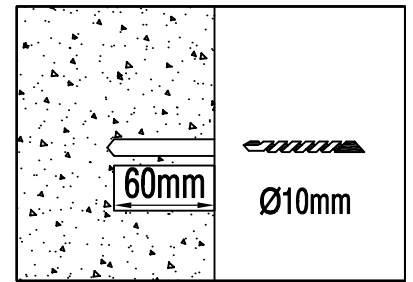
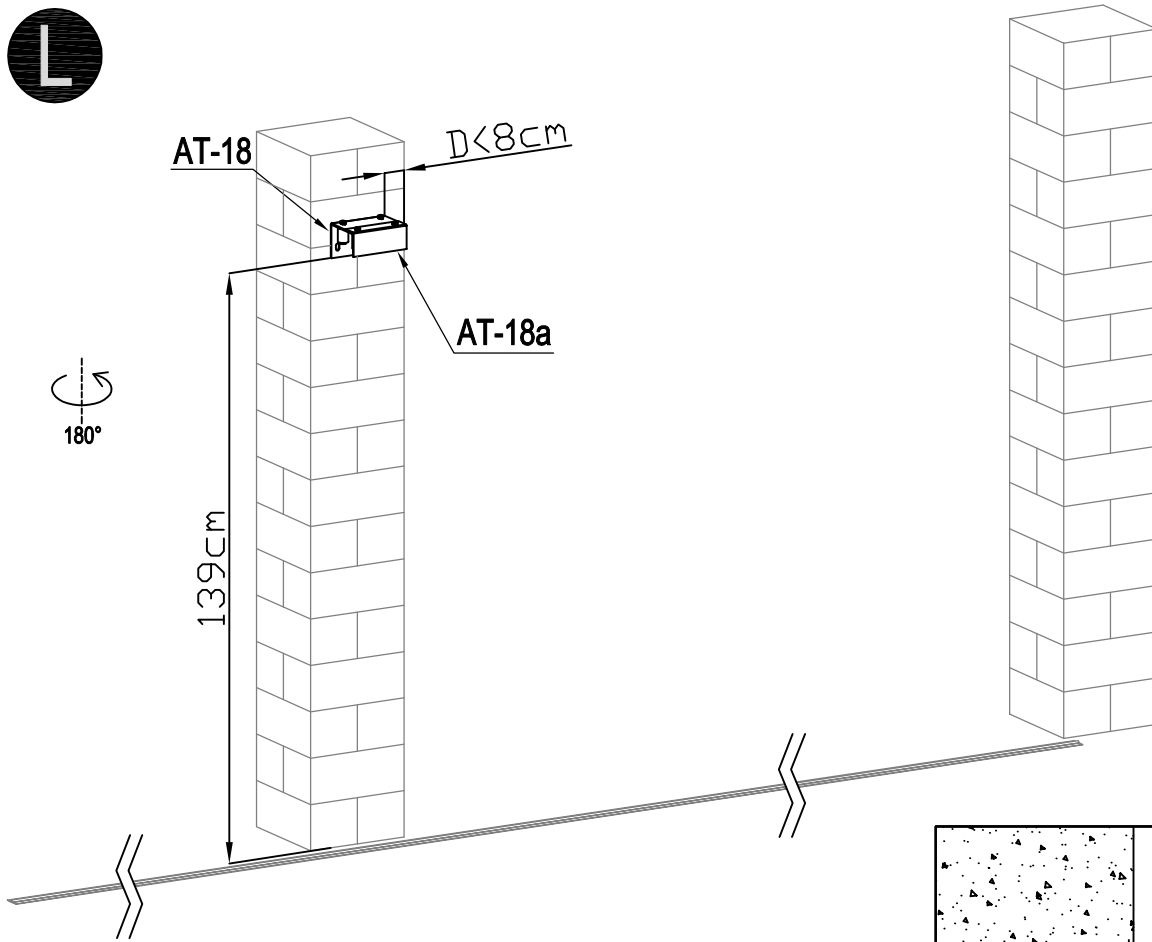
L : P23~28



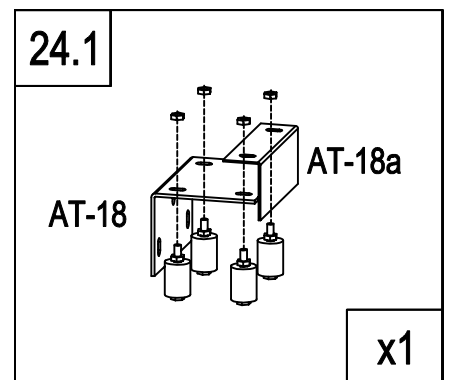
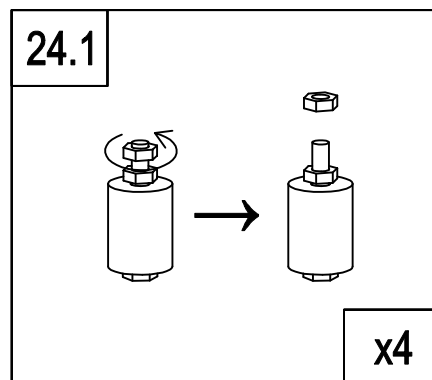
R : P29~34



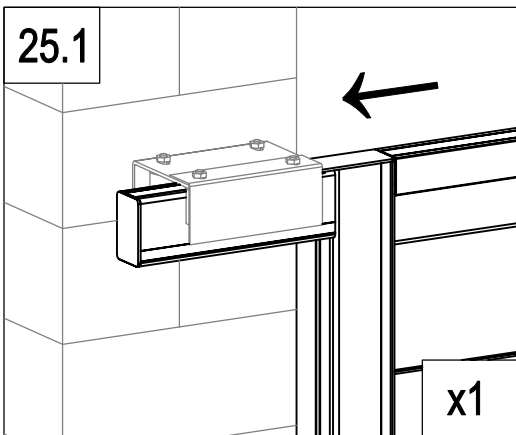
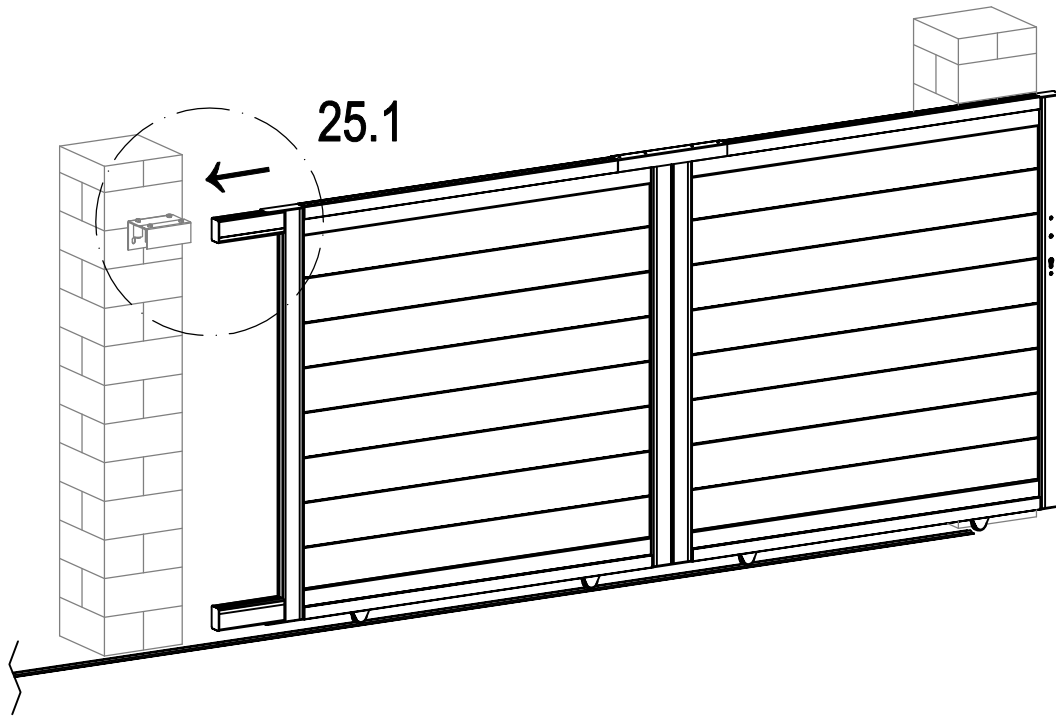
	AT-A17	5
	CK-N38	40



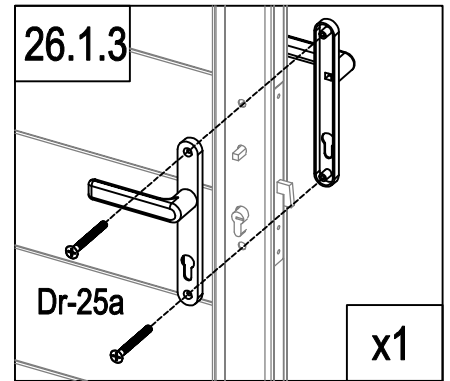
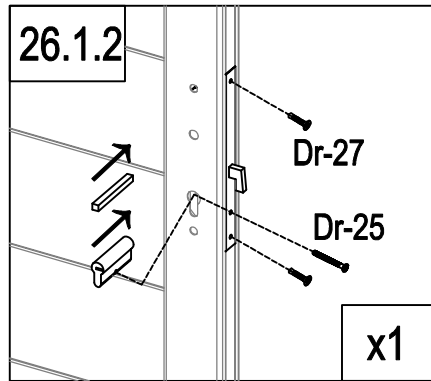
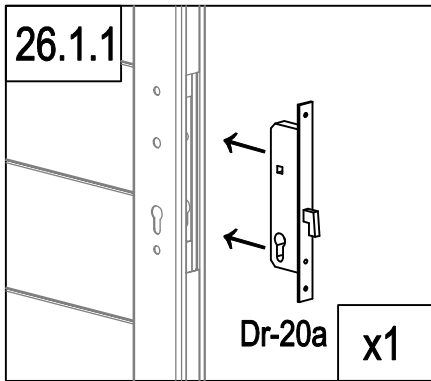
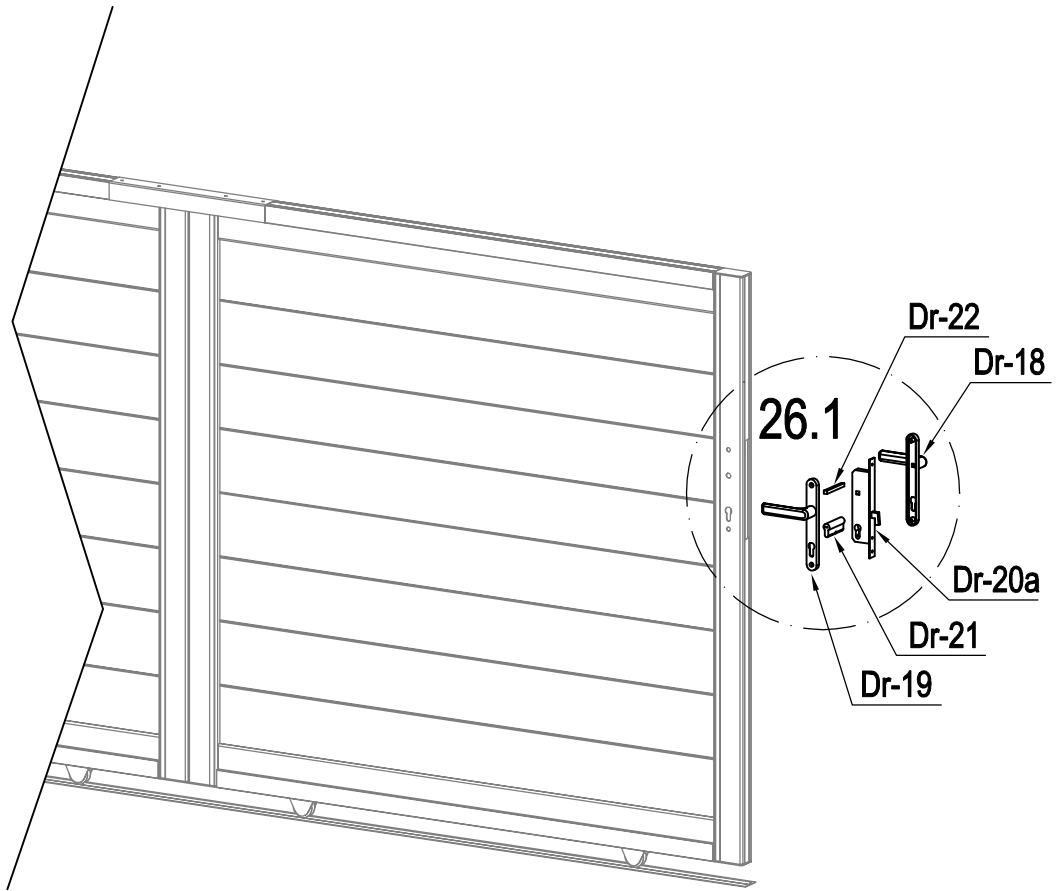
	AT-18	1
	AT-18a	1
	AT-20	4
	CK-N31	3







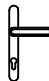



L

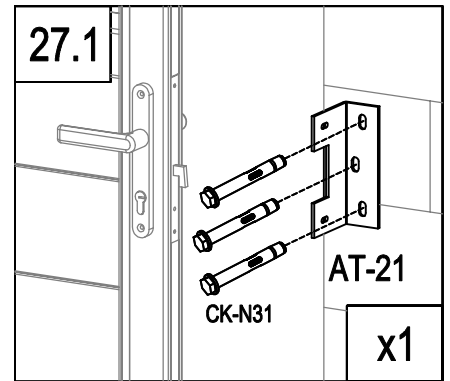
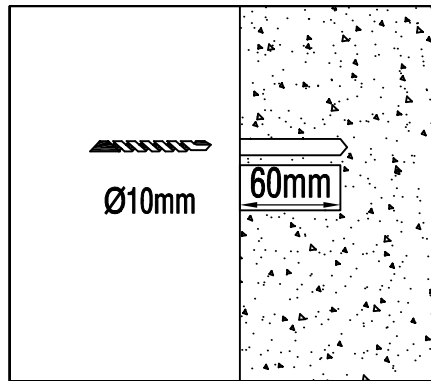
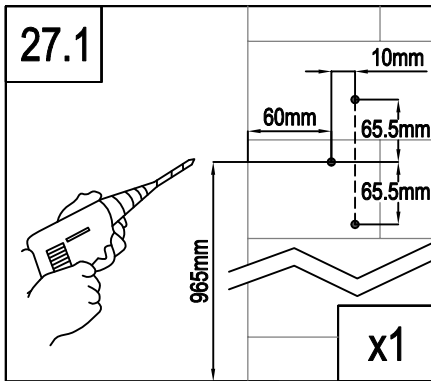
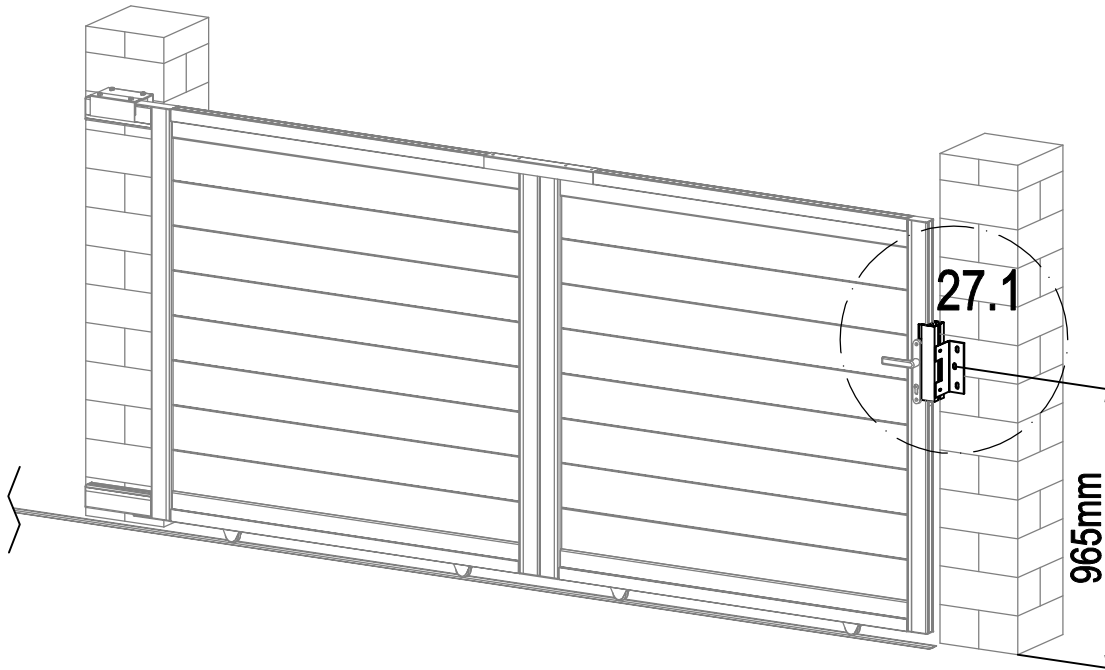


L

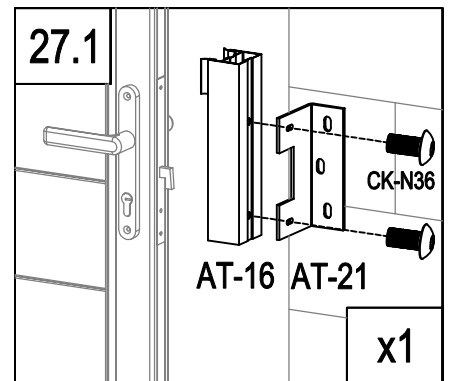
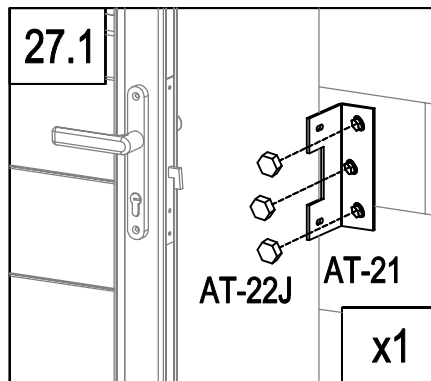


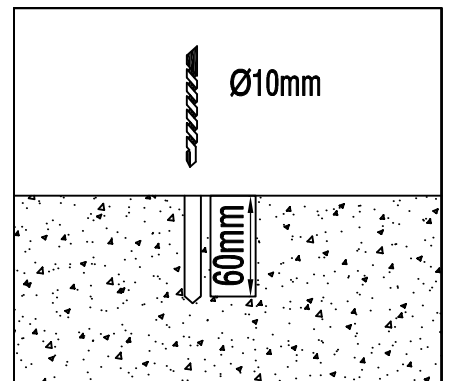
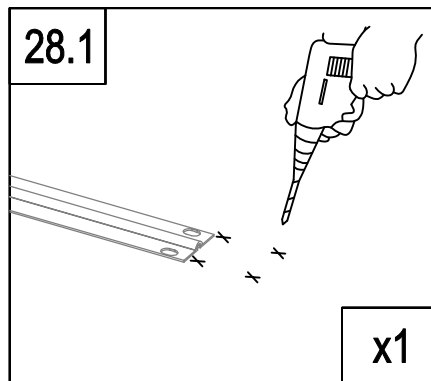
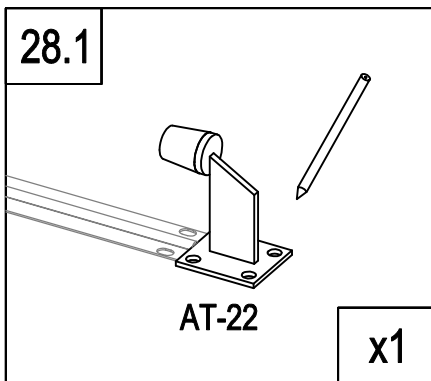
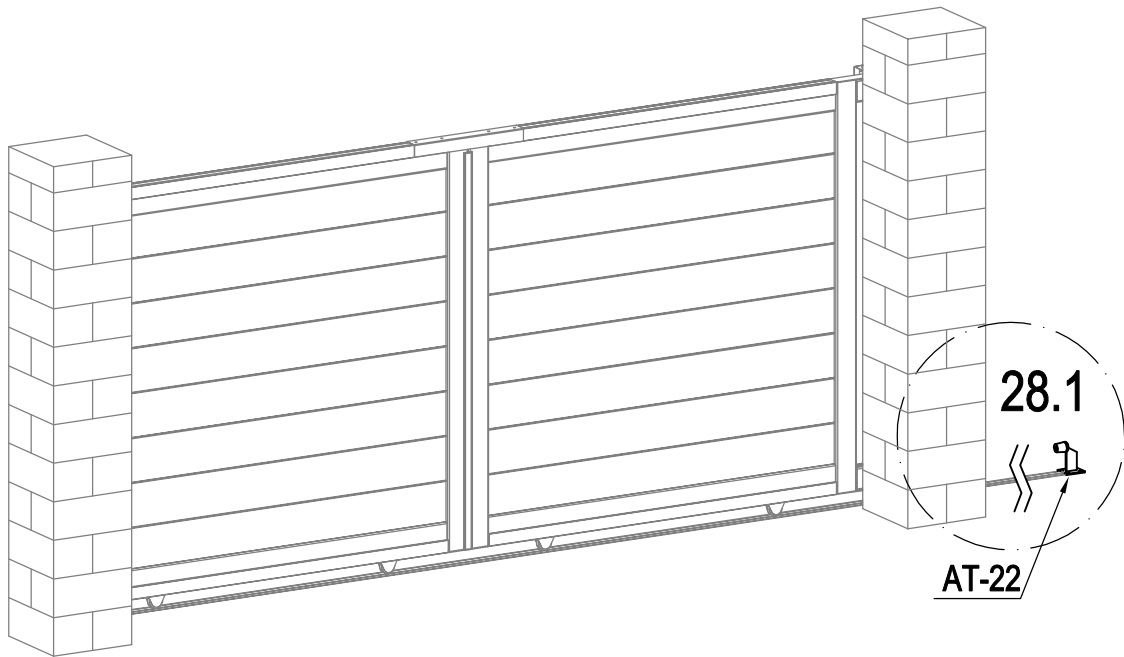
	Dr-20a	1
	Dr-21	1
	Dr-22	1
	Dr-25	1

	Dr-18	1
	Dr-19	1
	Dr-25a	2
	Dr-27	2

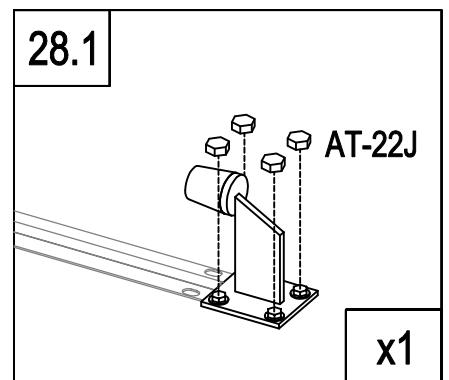
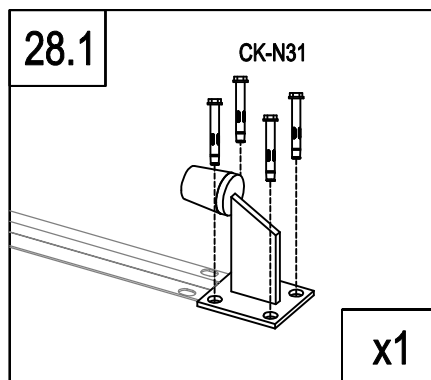


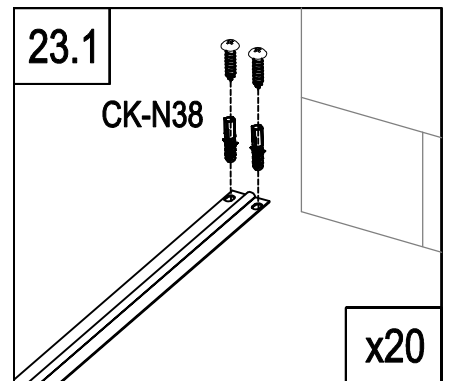
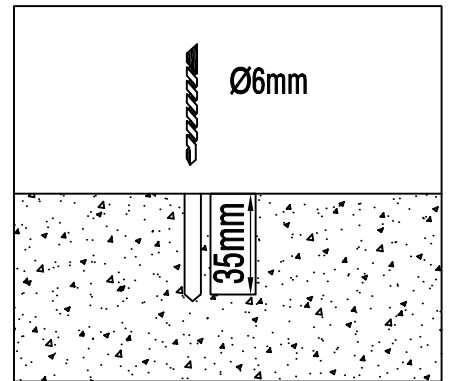
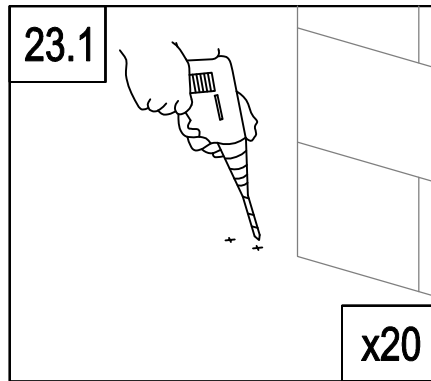
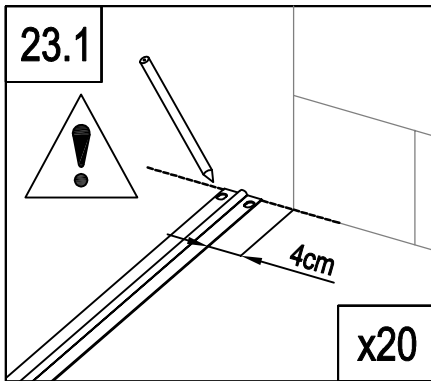
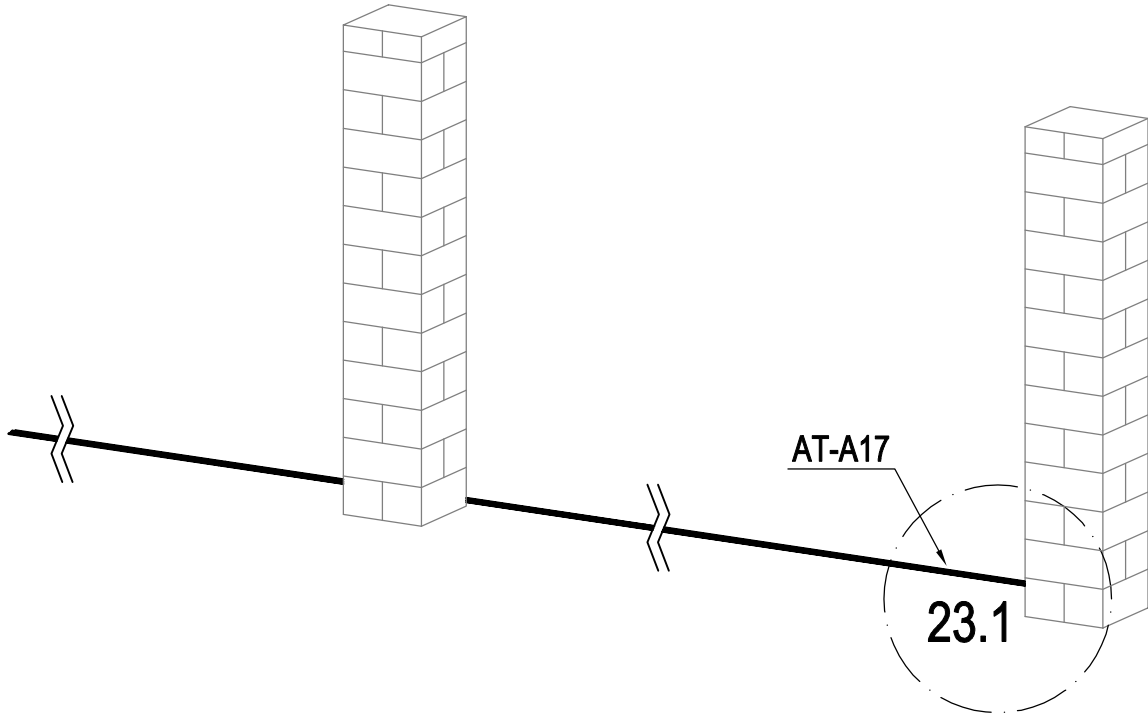
	AT-16	1
	AT-21	1
	CK-N36	2
	CK-N31	3
	AT-22J	3







	AT-22	1
	CK-N31	4
	AT-22J	4

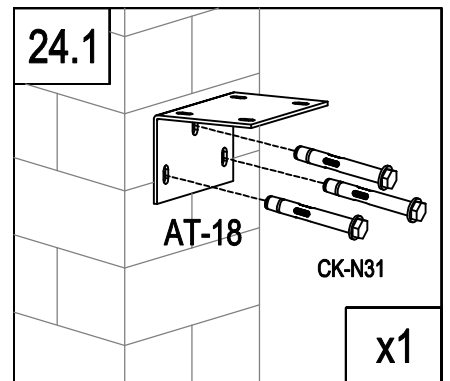
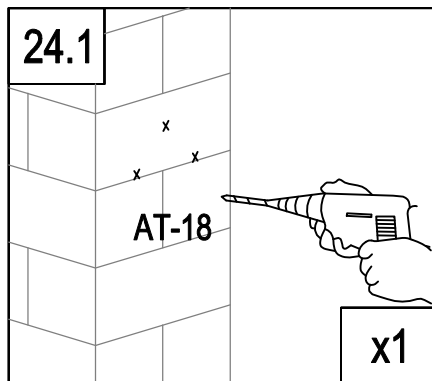
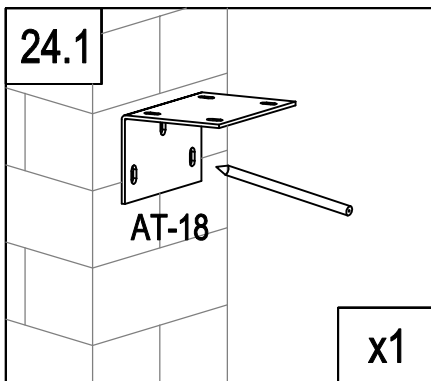
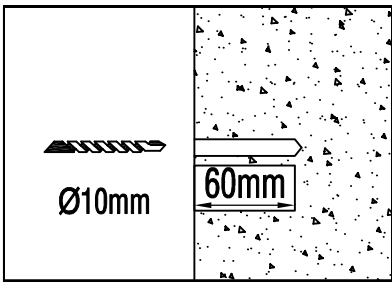
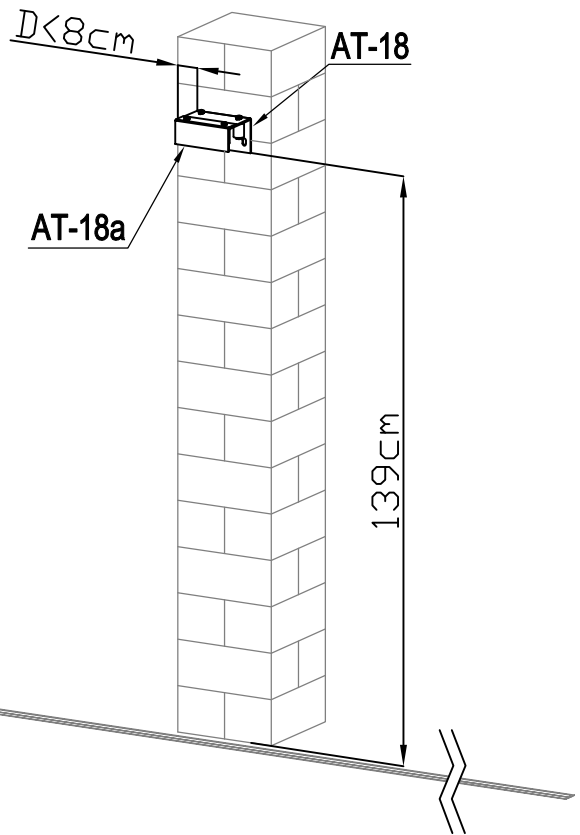
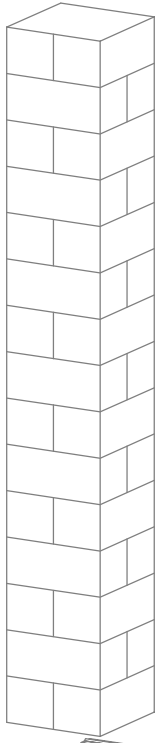




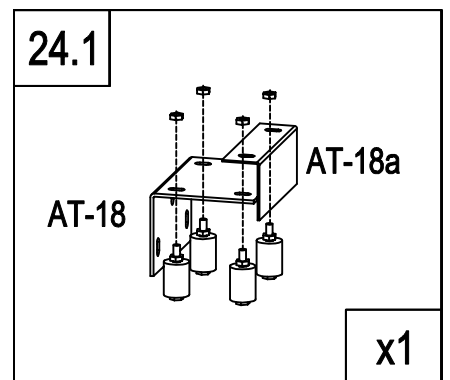
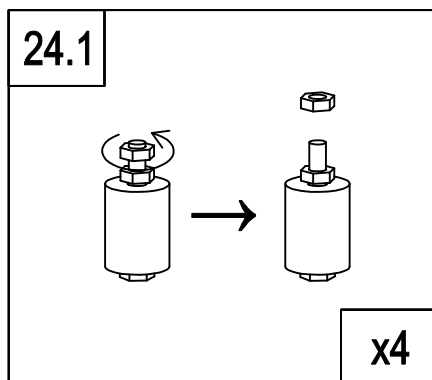
	AT-A17	5
	CK-N38	40

R

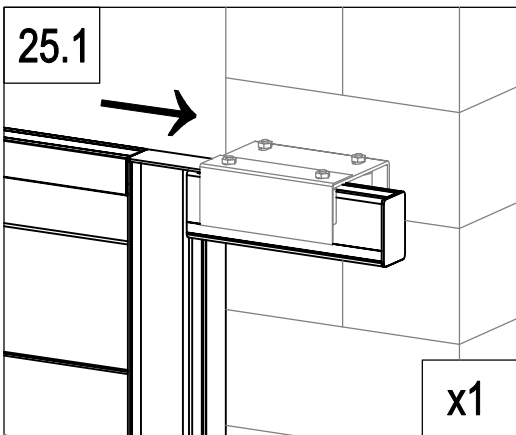
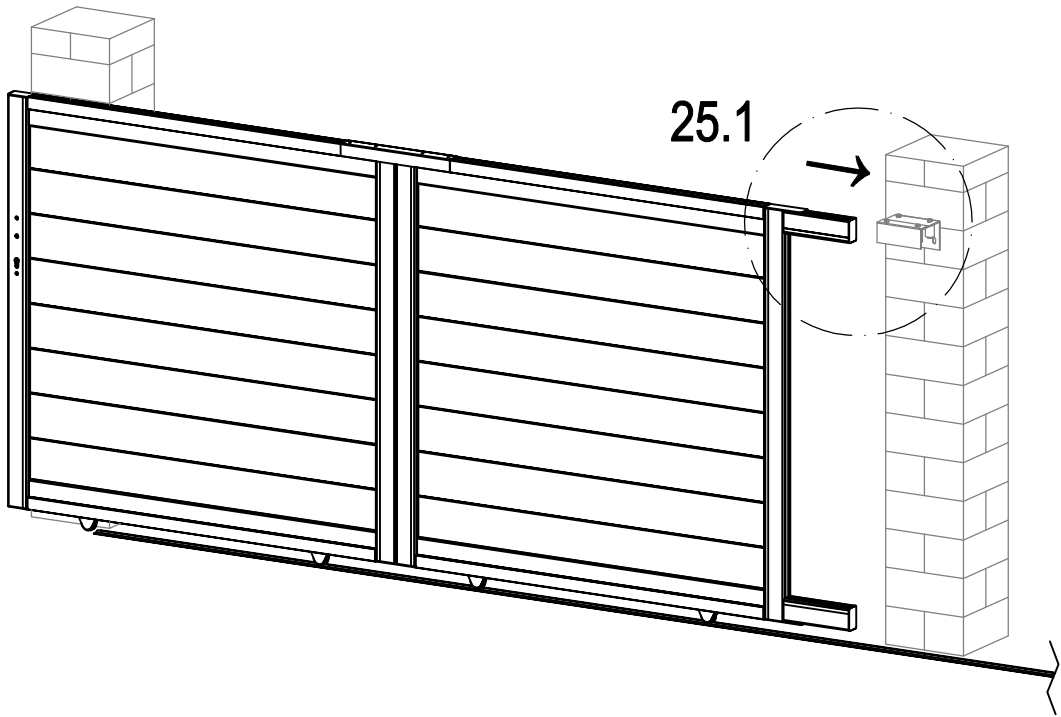
180°

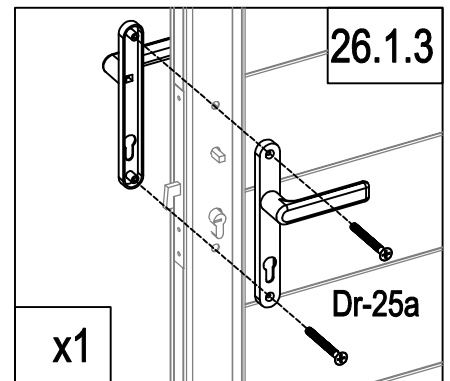
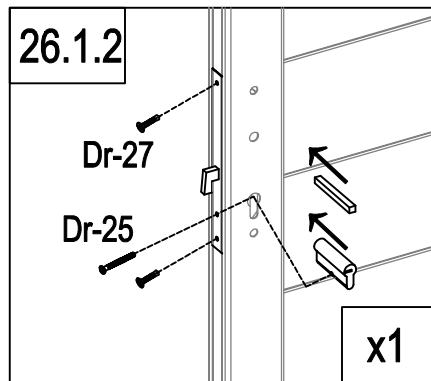
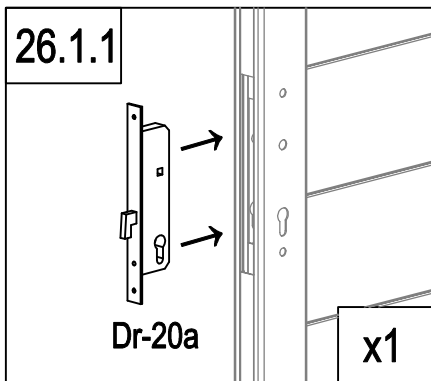
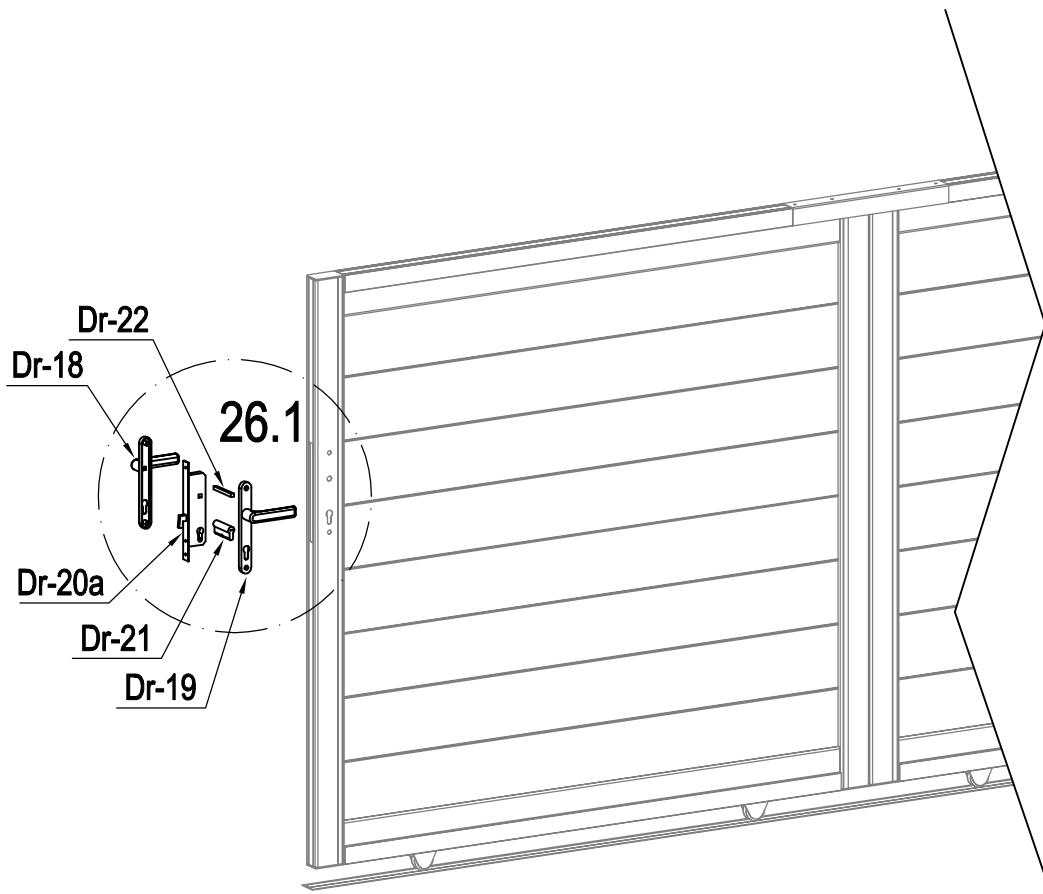






	AT-18	1
	AT-18a	1
	AT-20	4
	CK-N31	3

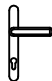





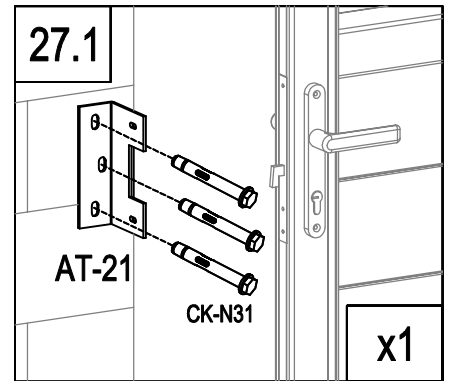
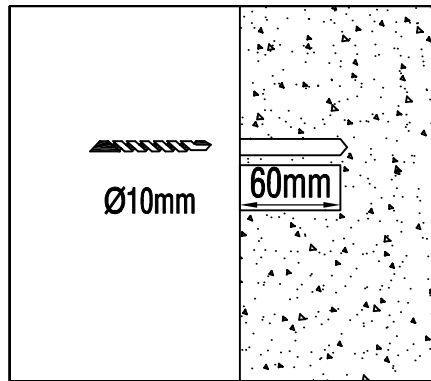
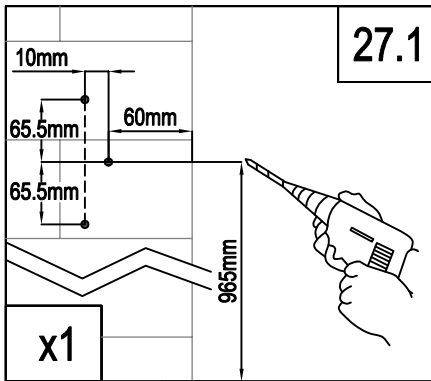
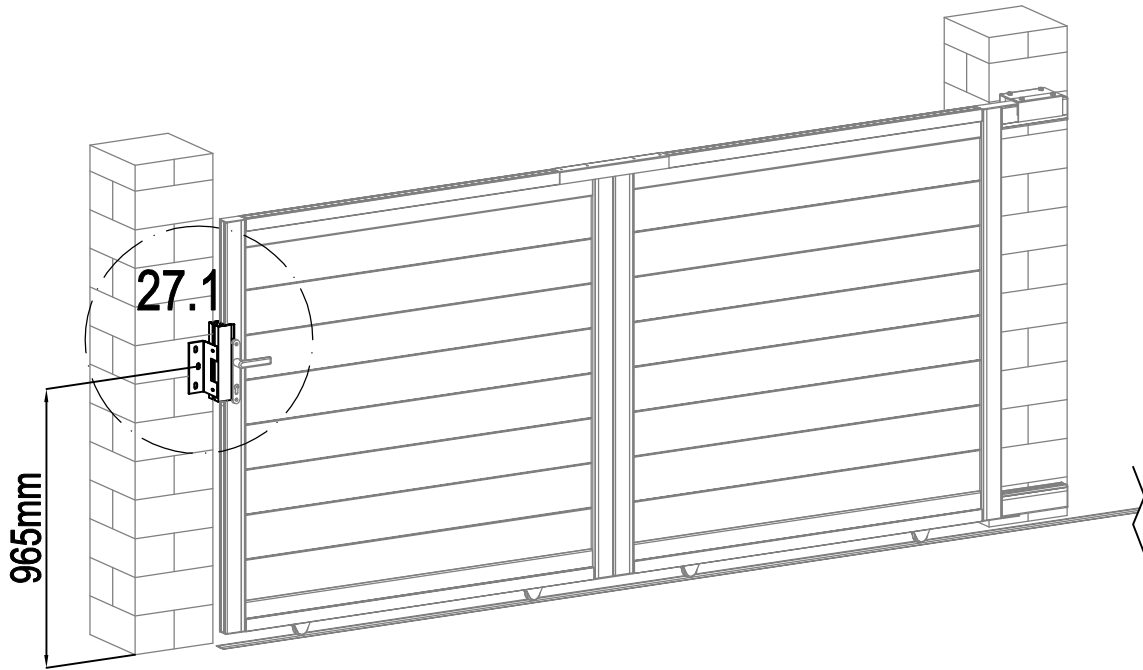
R



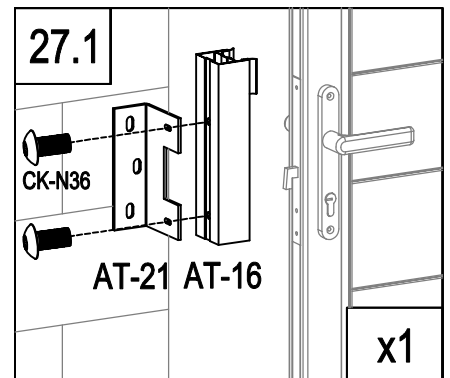
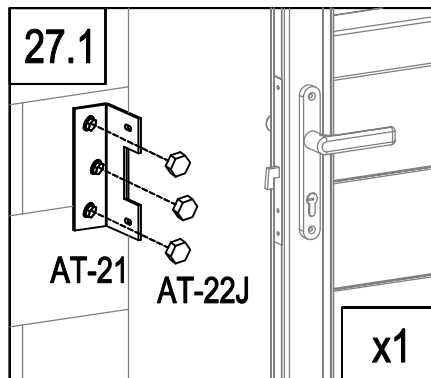


	Dr-20a	1
	Dr-21	1
	Dr-22	1
	Dr-25	1

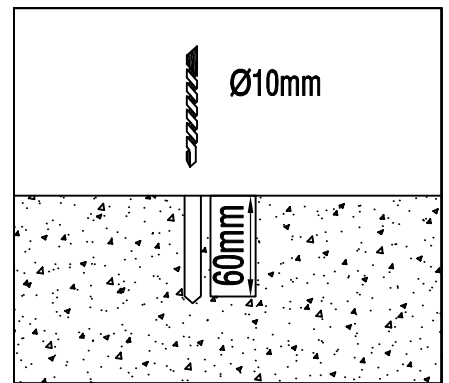
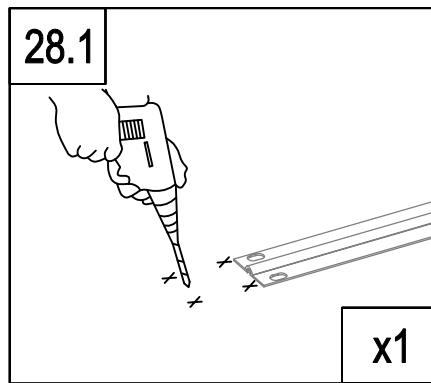
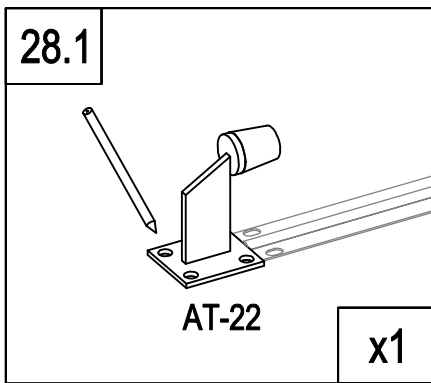
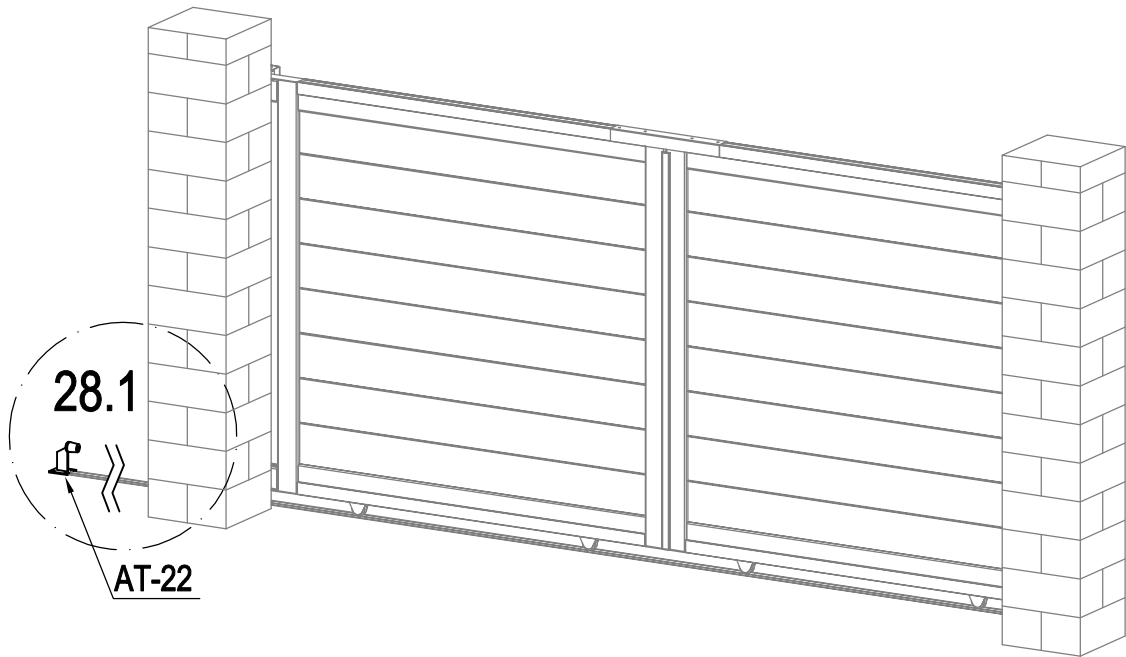
	Dr-18	1
	Dr-19	1
	Dr-25a	2
	Dr-27	2



	AT-16	1
	AT-21	1
	CK-N36	2
	CK-N31	3
	AT-22J	3



R



	AT-22	1
	CK-N31	4
	AT-22J	4

