

Features

- Made from Stainless Steel 304
- Supplied with Set Screw for easy installation.
- One Piece shaft collars
- Industry Standards
- Common Type
- Interchangeable

RS PRO Shaft Collars

Metric Bore One Piece Set Screw Shaft Collars



RS PRO is the own brand of RS. The RS PRO Seal of Approval is your assurance of professional quality, a guarantee that every part is rigorously tested, inspected, and audited against demanding standards. Making RS PRO the Smart Choice for our customers.

Product Description

RS PRO range of Stainless Steel 304 shaft collars for positioning or aligning power transmission components such as bearings, sprockets and pulleys to shafts.

- *Supplied with setscrew.*
- *Stainless Steel 304*
- *One Piece*
- *Corrosion resistance finish*
- *Quick and easy installation*
- *Metric bore sizes.*

General Specifications

Material	Stainless Steel
Finish	Corrosion Resistant

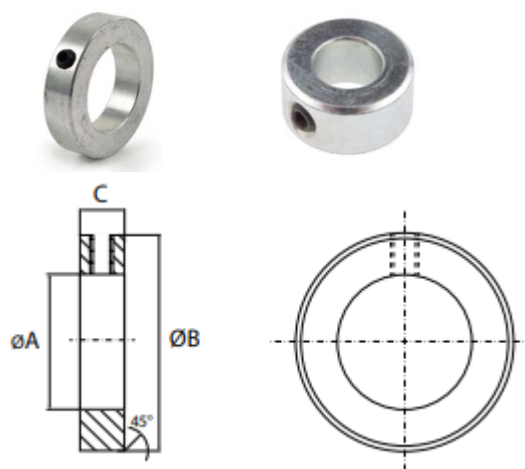
Mechanical Specifications

One / Two Piece	One Piece
Single / Double Wide	Single
Fastening	Set Screw
Outside Diameter	See table below for full details
Shaft Diameter	See table below for full details
Threaded Bore Size	See table below for full details
Width	See table below for full details

Mechanical Specification

Specification	
Material	Stainless Steel 304
Finish	Corrosion resistant
Fastening	Set Screw (included)
One / Two Piece	One Piece
Metric / Imperial	Metric

Tolerances (mm)	
Diameter A (4mm - 13mm)	+ 0.01mm / + 0.06mm
Diameter A (14mm - 70mm)	+ 0.01mm / + 0.08mm
Diameter B	+ 0.127 / - 0.000mm
Length C	+ 0.12mm / - 0.12mm



Stock No.	Shaft Diameter (Bore) A (mm)	Outside Diameter B (mm)	Width C (mm)	Threaded Bore Size (Setscrew)
1223448	5 mm	10 mm	6 mm	M3
1223449	6 mm	12 mm	8 mm	M4
1223450	8 mm	16 mm	8 mm	M4
1223451	10 mm	20 mm	10 mm	M5
1223452	12 mm	22 mm	12 mm	M6
1223453	14 mm	25 mm	12 mm	M6
1223454	15 mm	25 mm	12 mm	M6
1223455	16 mm	28 mm	12 mm	M6
1223456	18 mm	32 mm	14 mm	M6
1223457	20 mm	32 mm	14 mm	M6
1223458	22 mm	36 mm	14 mm	M6
1223459	24 mm	40 mm	16 mm	M8
1223460	25 mm	40 mm	16 mm	M8
1223461	30 mm	45 mm	16 mm	M8
1223462	32 mm	50 mm	16 mm	M8