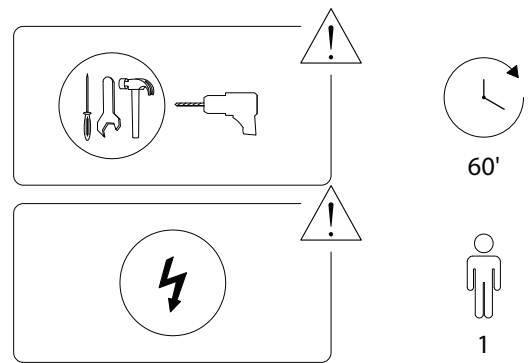
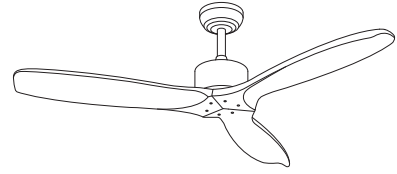
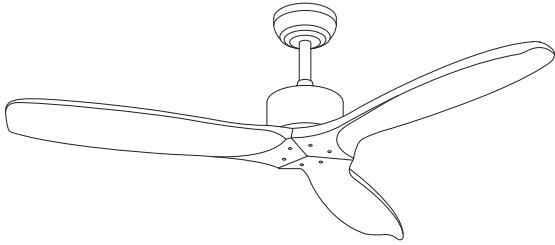
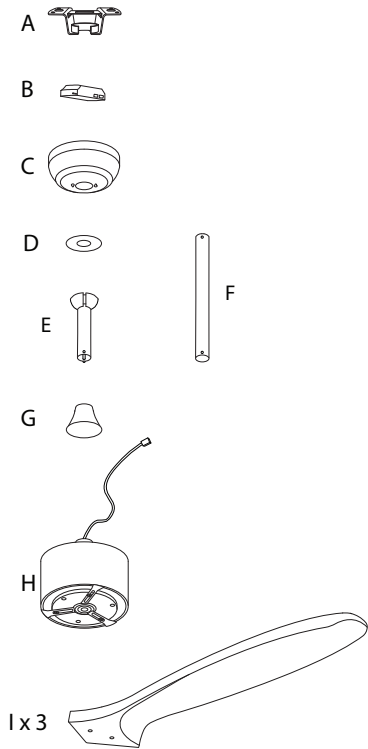



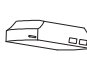

ARANI



1/12






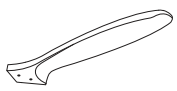








2599/ARANI/190825/



<p>A</p>  <p>x 1</p>	<p>B</p>  <p>x 1</p>	<p>C</p>  <p>x 1</p>
---------------------------------------------------------------------------------------------------------	---------------------------------------------------------------------------------------------------------	---------------------------------------------------------------------------------------------------------

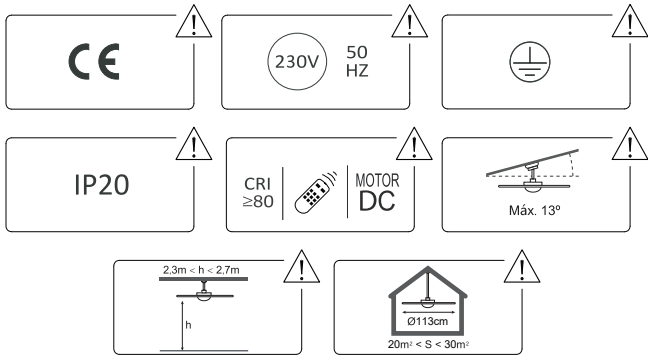
2/12

2599/ARANI/190825/

<p>D</p>  <p>x 1</p>	<p>E</p>  <p>x 1</p>	<p>F</p>  <p>x 1</p>
<p>G</p>  <p>x 1</p>	<p>H</p>  <p>x 1</p>	<p>I</p>  <p>x 3</p>
<p>J</p>  <p>x 1</p>	<p>K</p>  <p>x 2</p>	<p>L</p>  <p>x 2</p>
<p>M</p>  <p>x 2</p>	<p>N</p>  <p>x 4</p>	<p>O</p>  <p>x 6</p>
<p>P</p>  <p>x 1</p>	<p>Q</p>  <p>x 2</p>	

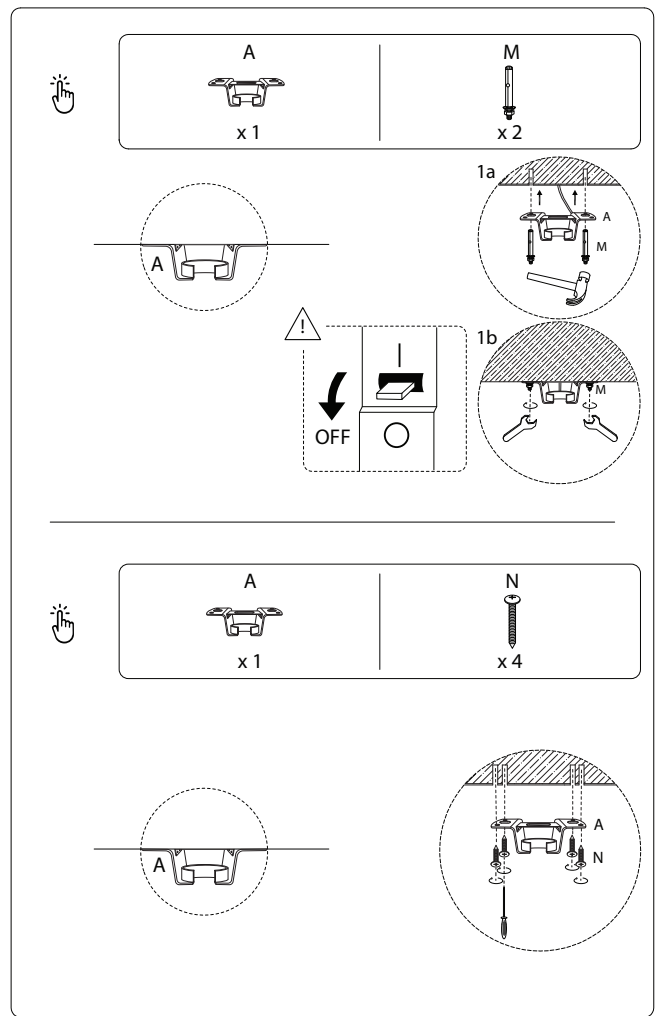
3/12

2599/ARANI/190825/



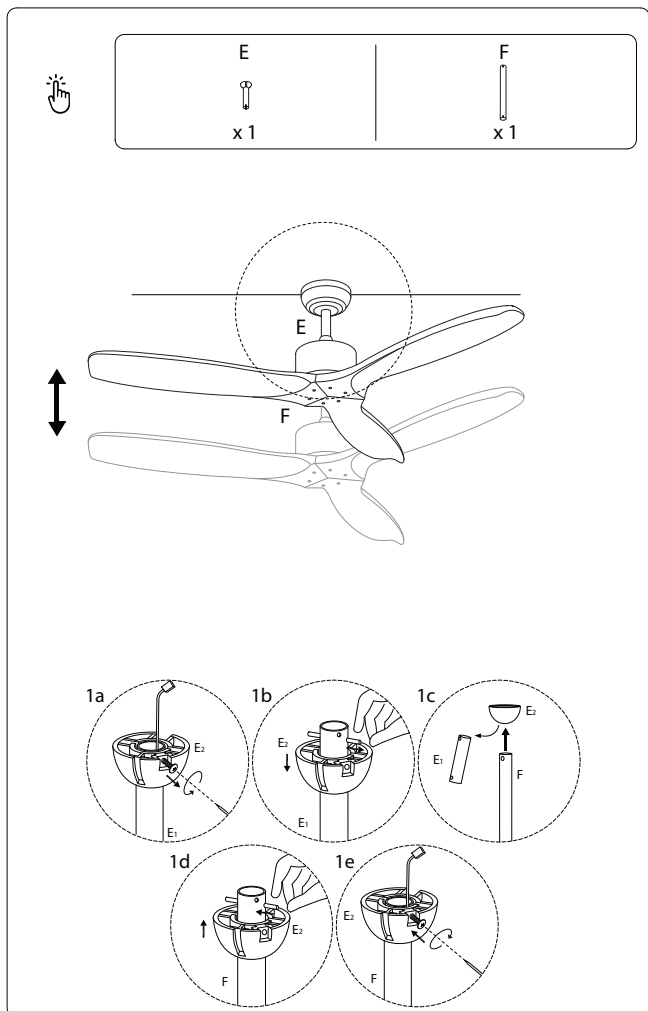
4/12

2599/ARANI/190825/



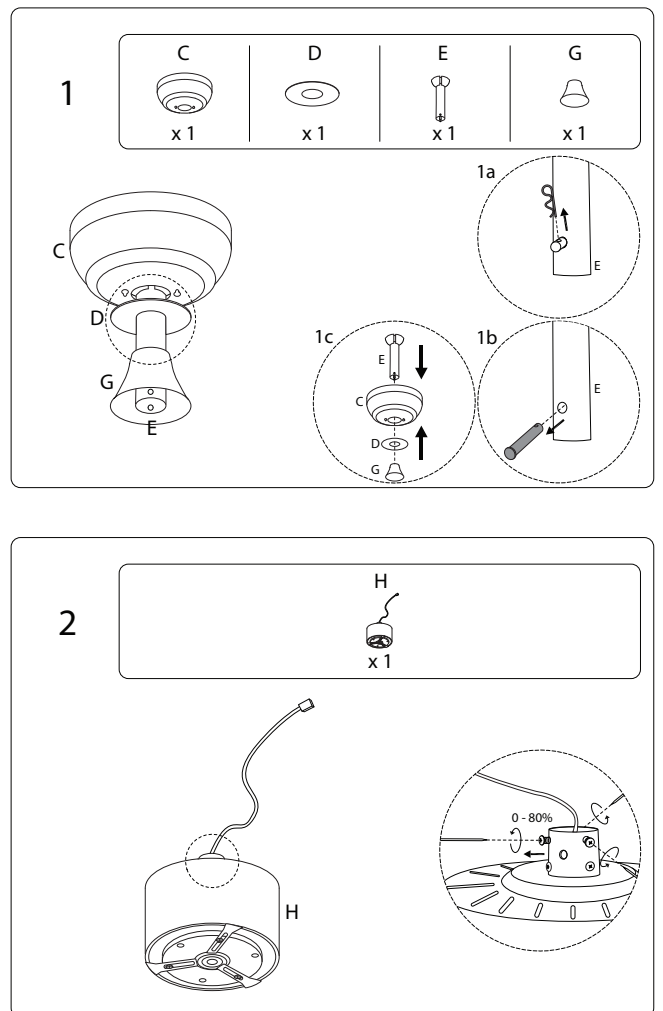
5/12

2599/ARANI/190825/



6/12

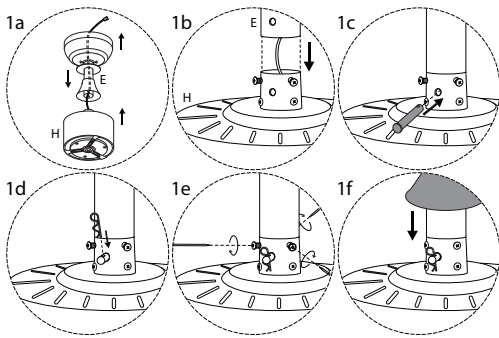
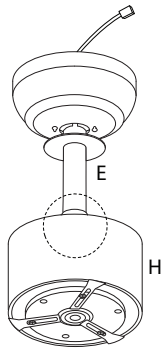
2599/ARANI/190825/



7/12

2599/ARANI/190825/

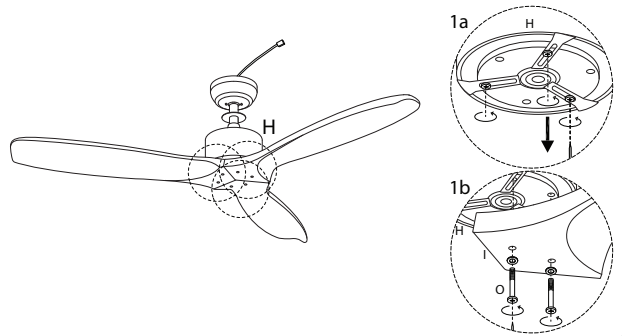
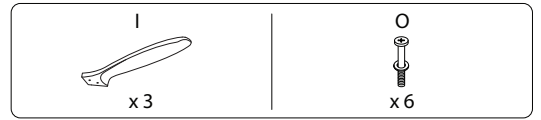
3



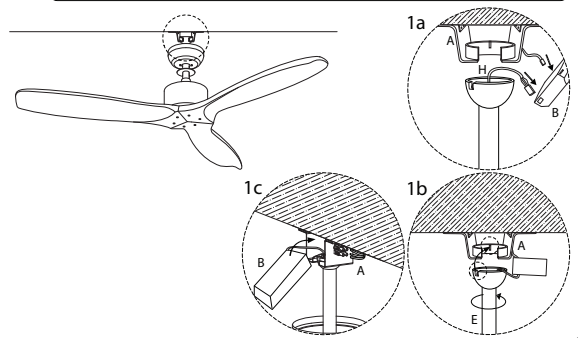
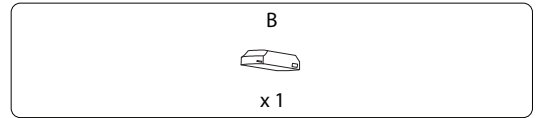
8/12

2599/ARANI/190825/

4



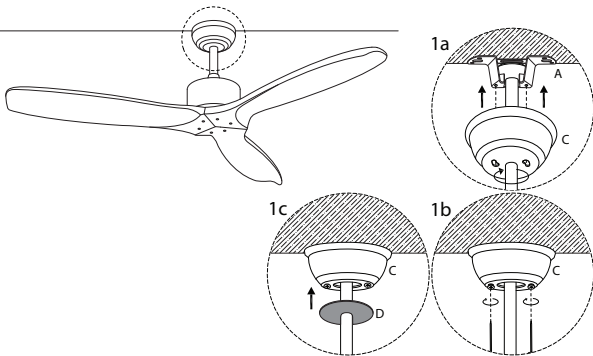
5



9/12

2599/ARANI/190825/

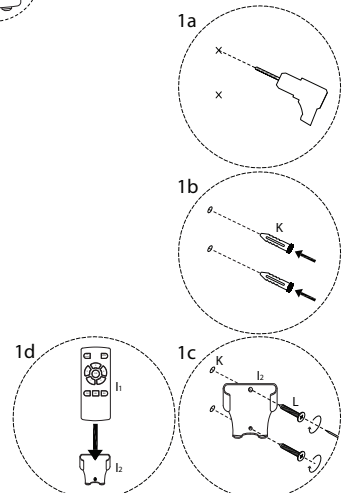
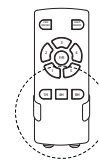
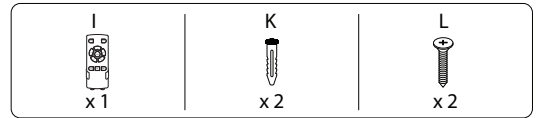
6



10/12

2599/ARANI/190825/

7



11/12

2599/ARANI/190825/

!

O  x1	P  x2
----------------------------------------------------------------------------------------------	----------------------------------------------------------------------------------------------

